

Table Of Contents - Clickable Links

(Click on the Section you would like to navigate to)

SECTION 1: Tractor Direct Axle Duals & Triples

SECTION 2: Tractor Extensions - For Duals, Triples, MFWD, 2WD & 4WD

SECTION 3: Tractor Open Center T-Rail Duals & Triples

SECTION 4: Conversion / Replacement Rims / Wheels for Cast Centers / Step-Ups

SECTION 5: Tractor Rims with Clamps

SECTION 6: Tractor & Implement Small Diameter Wheels

SECTION 8: Tractor Conversion Packages for 4WD Tractors

SECTION 9: Tractor Power-Adjust Wheels, Rims, Discs & Parts

SECTION 10: Combine Duals, Spacers & Replacement Wheels

SECTION 11: Cotton Picker Duals, Spacers & Replacement Wheels

SECTION 12: AG Rims

SECTION 13: AG Discs

SECTION 14: AG Miscellaneous Wheels

SECTION 15: AG Terra, Duplex & Super-Single Rims, Wheels & Parts

SECTION 16: Over The Road Trailer Wheels

SECTION 17: AG Miscellaneous Parts - Reinforcing Rings & Hardware

SECTION 1: Tractor Direct Axle Duals / Triples

(Click on the Section you would like to navigate to)

Direct Axle Hubs: Allis-Chalmers, Deutz, AGCO Allis, AGCO, Challenger & Buhler

Direct Axle Hubs: Case & Case International

Direct Axle Hubs: John Deere

Direct Axle Hubs: Hesston, Fiat, Fendt, Long, Massey Ferguson & McCormick

Direct Axle Hubs: New Holland, Ford & Steiger

Direct Axle Hubs: White & AGCO White

Direct Axle Hubs: Parts & Accessories

10 Hole Formed Plate Dual Wheels

10 Hole Formed Plate Dual Wheels with Weight Holes

10 Hole 4-Spoke Formed Plate Dual Wheels

9 Hole 4-Spoke Pressed Steel Wheels

MFWD Dual Packages: AGCO, Challenger, Fendt, Massey Ferguson & Case-IH

MFWD Dual Packages: Fendt

MFWD Dual Packages: John Deere

MFWD Dual Packages: New Holland

Direct-Axle Dual Systems

Direct-axle dual wheel sets include hubs for attaching the dual wheel directly to the axle.

Unverferth Hubs feature:

- High-tensile, ductile iron construction for long life.
- Precision matched keyway for O.E.M. fit.
- High-tensile strength bolts for superb holding power.
- Appropriate bolts and washers for mounting wheel to hub.
 - 7/8" Capscrews with 10-hole hubs
 - 5/8" Capscrews with 9-hole hubs

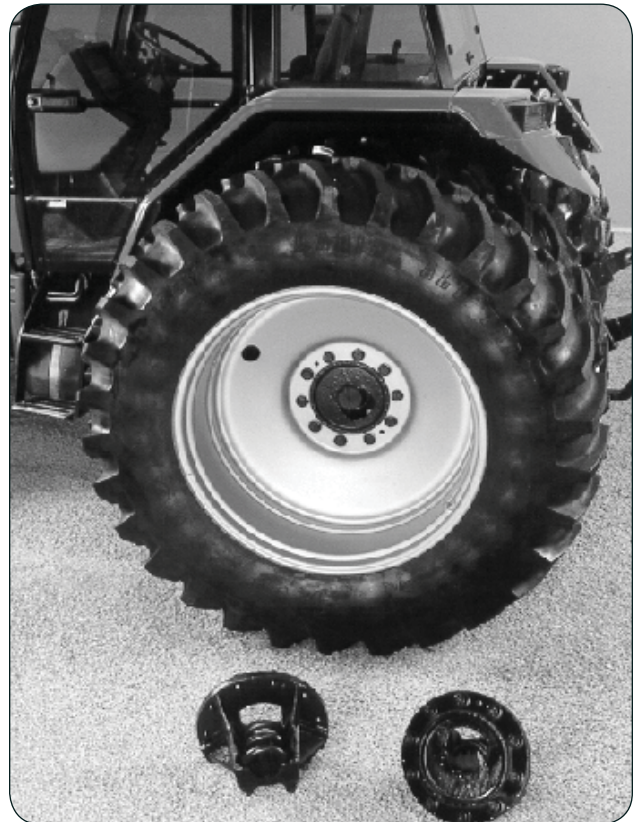
Ordering Information:

1. Determine make and model of tractor and tire size(s) on tractor.
2. Using make and model of tractor, determine hub design/stock number from pages 1-3 through 1-14.
3. Determine appropriate wheel, offset, and color from pages 1-16 through 1-26.

For replacement parts, please refer to Section 17.

IMPORTANT

- All ordering numbers in this Section are for ONE piece.
- A complete direct-axle dual wheel SET requires TWO hubs and TWO wheels.



Features of Hubs

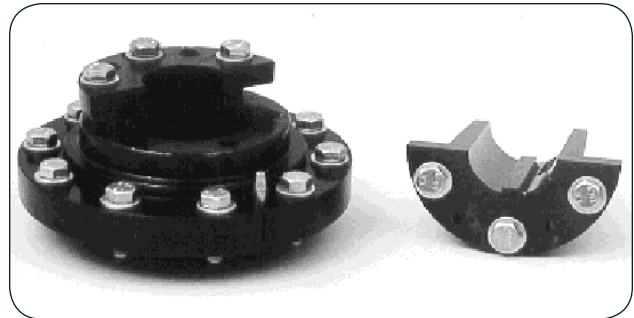
Wedg-Lok® 1000E Series Hub - 10 Hole

- Hub Length - 7"
- Keyed insert to match tractor axle
- 1 radius insert for wedging hub to axle
- 2 Threaded jackscrew holes in each insert for removal
- Guide pin for easy alignment of wheel
- Approximate Weight - 165 lbs.
- Torque Insert bolts to 400 ft. lbs.
- Torque Wheel bolts to 400 ft. lbs.



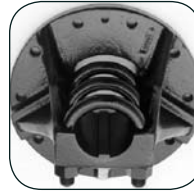
Wedg-Lok® 2000E Series Hub - 10 Hole

- Hub Length - 7"
- Keyed insert to match tractor axle
- 1 radius insert for wedging hub to axle
- 2 Threaded jackscrew holes in each insert for removal
- Guide pin for easy alignment of wheel
- Approximate Weight - 175 lbs.
- Torque Insert bolts to 400 ft. lbs.
- Torque Wheel bolts to 400 ft. lbs.



91EM Series Hub - 10 Hole

- Hub Length - 8 1/4"
- 3 - 1 1/8 U-bolts
- Approximate Weight - 104 lbs.
- Torque U-Bolts to 600 ft. lbs.
- Torque Wheel bolts to 400 ft. lbs.



NOTE: For specific u-bolt measurement information, please refer to Section 17.

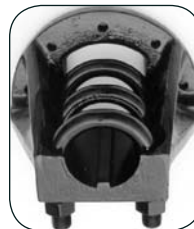
81EM Series Hub - 9 Hole

- Hub Length - 7"
- 2 - 1 1/8 U-bolts
- Approximate Weight - 68 lbs.
- Torque U-Bolts to 600 ft. lbs.
- Torque Wheel bolts to 175-200 ft. lbs.



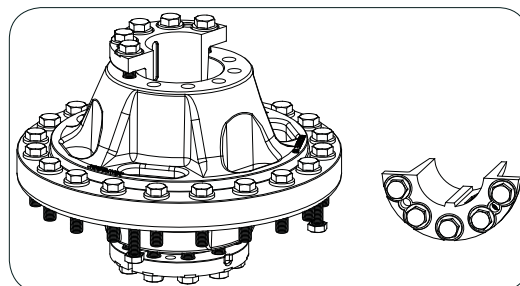
71EM Series Hub - 9 Hole

- Hub Length - 8 1/4"
- 3 - 1 1/8 U-bolts
- Approximate Weight - 78 lbs.
- Torque U-Bolts to 600 ft. lbs.
- Torque Wheel bolts to 175-200 ft. lbs.



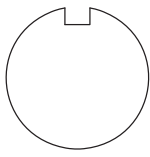
HD Scraper Hub - 20 Hole

- Hub Length - 16"
- Keyed insert to match tractor axle
- 1 radius insert for wedging hub to axle
- 2 Threaded jackscrew holes in each insert for removal
- Approximate Weight - 484 lbs.
- Torque Insert bolts to 400 ft. lbs.
- Torque Wheel bolts to 400 ft. lbs.

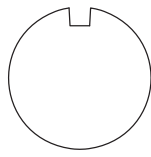


Hubs

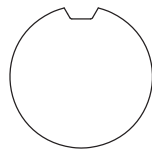
Axle Style / Tractor Axle Configuration



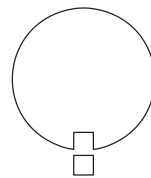
STYLE A



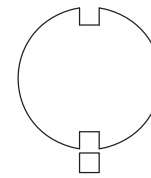
STYLE B



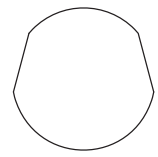
STYLE C



STYLE D



STYLE E



STYLE F

Allis-Chalmers, Deutz, Deutz-Allis, AGCO Allis, AGCO and Challenger

Model(s)	Axle Diameter		Axle Style	10-Bolt Wedge-Lok Hub Stock Number	
	Inches	Millimeters		End Wheel Mounting Flange	Center Wheel Mounting Flange
190XT*, D-21, 200, 7000	3 1/4"	82.55mm	A	-	-
8775, 8785	3 1/4"	82.55mm	D	1000E13M++	2000E13++
AGCO RT95, RT115, RT120D					
Challenger MT535BD, MT545BD					
210, 220, 7010*, 7020*, 7030, 7050, 8010*, 8030*	3 5/8"	92.075mm	B	1000E20M	2000E20
RT135D, RT150D, RT100V, RT120V, RT135V, RT150V, RT130, RT145, RT155	3 3/4"	95MM	C	1000E3530M	2000E3530
MT555BD, MT565BD, MT525BV, MT535BV, MT545BV, MT555BV, MT555D, MT565BV, MT565D, MT565, MT575B, MT575D, MT585B*, MT585D, MT595B*					
9435, 9455, 9735*, 9745*	3 3/4"	95.25mm	A	1000E30M	2000E30
DX90, DX110, DX140, DX160, 7145, 9130, 9150, 9170, 9190, 9630, 9635, 9650, 9655, 9670**, 9675**, 9690**, 9695**, 9735*, 9745*, 9815** (See Notes Below)	3 7/8"	98.425mm	E	1000E88+	2000E88+

+ To install 1000E88 & 2000E88 Hub, the two loose keys in tractor axle must be shortened (cut off).

++ To install 1000E13M or 2000E13 hubs, may require Key #1163 for the Axle.

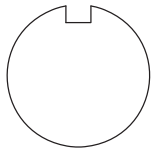
* These models have been produced with more than one axle diameter. Please verify axle diameter with customer before ordering hubs.

** These models may have a dealer-installed 110mm diameter axle with a straight keyway, 1000E80110M & 2000E80110 will not work on this axle. Please see Section 3 for other dual wheel options.

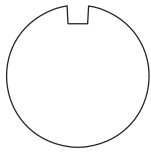
NOTE: Each dual wheel set requires two hubs.

Hubs

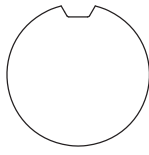
Axle Style / Tractor Axle Configuration



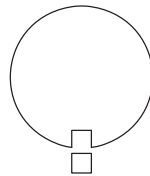
STYLE A



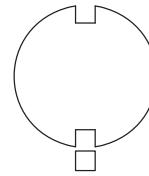
STYLE B



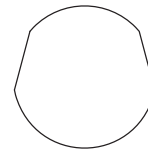
STYLE C



STYLE D



STYLE E



STYLE F

Allis-Chalmers, Deutz, Deutz-Allis, AGCO Allis, AGCO and Challenger

Model(s)	Axle Diameter		Axle Style	10-Bolt Wedge-Lok Hub Stock Number	
	Inches	Millimeters		End Wheel Mounting Flange	Center Wheel Mounting Flange
7080, 8070*, 8550-Rear Axle, 4W-305-Front Axle*, 4W-305-Rear Axle	4"	101.6mm	B	1000E1450M	2000E1450
9755, 9765, 9775, 9785	4.331"	110mm	C	1000E80110M	2000E80110
AGCO DT160, DT180, DT180A, DT200, DT200A, DT205B, DT220A, DT225, DT225B, DT240A, DT250B, DT275B Challenger MT585B*, MT595B*, MT635, MT645, MT645C, MT645D, MT655, MT655C, MT655D, MT665, MT665C, MT665D, MT675C, MT675D, MT685D					

Bühler

Model(s)	Axle Diameter		Axle Style	10-Bolt Wedge-Lok Hub Stock Number	
	Inches	Millimeters		End Wheel Mounting Flange	Center Wheel Mounting Flange
2145	3 5/8"	92.075mm	F	1000E2920M	2000E2920
190, 220, 250, 260, 280, 290, 2160, 2180, 2210, 305, 310	4.13"	105mm		1000E31M	2000E31

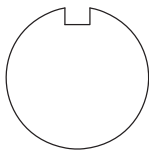
* These models have been produced with more than one axle diameter. Please verify axle diameter with customer before ordering hubs.

** These models may have a dealer-installed 110mm diameter axle with a straight keyway, 1000E80110M & 2000E80110 will not work on this axle. Please see Section 3 for other dual wheel options.

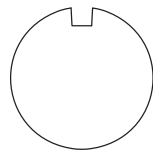
NOTE: Each dual wheel set requires two hubs.

Hubs

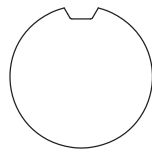
Axle Style / Tractor Axle Configuration



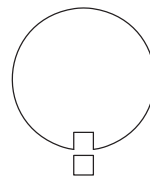
STYLE A



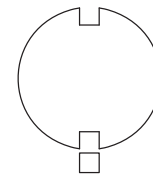
STYLE B



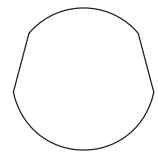
STYLE C



STYLE D



STYLE E



STYLE F

Case and Case International

Model(s)	Axle Diameter		Axle Style	10-Bolt Wedge-Lok Hub Stock Number	
	Inches	Millimeters		End Wheel Mounting Flange	Center Wheel Mounting Flange
970*, 1070*, 1270*, 1370*, 1570*, 1896*, 2090, 2094, 2096*, 2290*, 2294*, 2390*, 2394*, 3294, 5120, 5130, 5140, 5220, 5230, 5240, 5250, 7110, 7210, 8910, MX80C, MX90C, MX100C, MX100, MX110, MX120, MX135, MX150	3 1/2"	88.9mm	A	1000E25M	2000E25
Farmall 110A, Farmall 120A, Farmall 125A, Farmall 140A, MXM120, MXM130, MXM140, MXM155, MXU100, MXU110, MXU115, MXU125, MXU135, Maxxum 110, 115, 120, 125, 130, 140, PUMA 115, 125, 130, 140, 145, 155, 160	3 5/8"	92.075mm	F	1000E2920M	2000E2920
Magnum 180*, 190*, 210*, MXM175, MXM190, PUMA 165, 170, 180, 185, 195, 200, 210, 215, 225, 230	4.13"	105mm		1000E31M	2000E31
970*, 1070*, 1270*, 1370*, 1570*, 1896*, 2096*, 2290*, 2294*, 2390*, 2394*, 2590, 2594, 3394, 3594	3 7/8"	98.425mm	A	1000E8M	2000E8
7120, 7130, 7140, 7150, 7220, 7230, 7240, 7250, 8920, 8930, 8940, 8950, MX170, MX180, MX200, MX210, MX215, MX220, MX230, MX240*, MX245, MX255*, MX270*, MX275*, MX285*, MX305*, MX335, Magnum, 180*, 190*, 200, 210*, 215*, 220, 225, 235*, 240, 245*, 250*, 260*, 275*, 280* 290*, 305* STX275, STX280*, STX325, STX330*, Steiger 335*	4"	101.6mm		1000E50M	2000E50

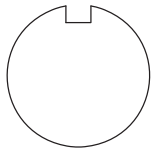
* These models have been produced with more than one axle diameter. Please verify axle diameter with customer before ordering hubs.

** These models may have a dealer-installed 110mm diameter axle with a straight keyway, 1000E80110M & 2000E80110 will not work on this axle. Please see Section 3 for other dual wheel options.

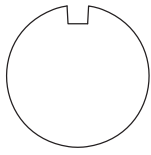
NOTE: Each dual wheel set requires two hubs.

Hubs

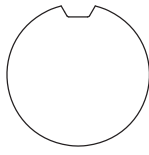
Axle Style / Tractor Axle Configuration



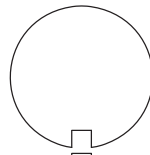
STYLE A



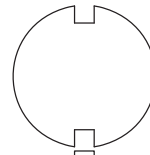
STYLE B



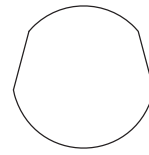
STYLE C



STYLE D



STYLE E



STYLE F

Case and Case International

Model(s)	Axle Diameter		Axle Style	10-Bolt Wedge-Lok Hub Stock Number	
	Inches	Millimeters		End Wheel Mounting Flange	Center Wheel Mounting Flange
9110, 9130, 9150, 9210, 9230, 9250, 9310, 9330, 9350	4"	101.6mm	B	1000E1450M	2000E1450
MX240*, MX255*, MX270*, MX275*, MX285*, MX305*, Magnum 215*/ 245*/ 250* / 260*/ 275* / 280* / 290*/ 305* / 310 / 315 / 335 / 340 / 360, STX280*, STX330*, STX375, STX380, STX425, STX430, STX440, STX450, STX480, STX530, Steiger 335* / 350* / 385 / 435 / 485 / 500*/ 535	4.528"	115mm	A	1000E70M	2000E70

Case 4WD Scraper Tractors

Model(s)	Axle Diameter		Axle Style		Stock Number
	Inches	Millimeters			
STX275, STX280*, STX325, STX330*, Steiger 335*	4"	101.6mm	A	20 Bolt Heavy Duty Hub	16879
STX280*, STX330*, STX375, STX425, STX440, STX450, Steiger 335* / 385 / 435 / 485 / 535	4.528"	115mm	A	20 Bolt Heavy Duty Hub	16880

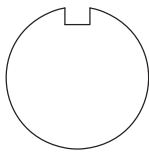
* These models have been produced with more than one axle diameter. Please verify axle diameter with customer before ordering hubs.

** These models may have a dealer-installed 110mm diameter axle with a straight keyway, 1000E80110M & 2000E80110 will not work on this axle. Please see Section 3 for other dual wheel options.

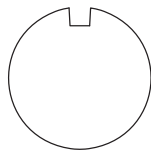
NOTE: Each dual wheel set requires two hubs.

Hubs

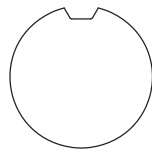
Axle Style / Tractor Axle Configuration



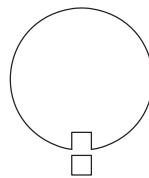
STYLE A



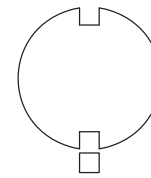
STYLE B



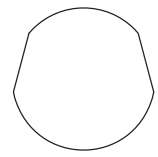
STYLE C



STYLE D



STYLE E



STYLE F

John Deere

Model(s)	Axle Diameter		Axle Style	10-Bolt Wedge-Lok Hub Stock Number	
	Inches	Millimeters		End Wheel Mounting Flange	Center Wheel Mounting Flange
60, 70, 620, 630, 720, 730, 2240, 2350, 2355, 2440, 2520, 2550, 2555, 2640*, 2750, 2755, 2840, 2940, 2950, 2955, 3010, 3020*, 3055, 3150, 3155, 3255, 4000, 4010, 4020*, 4030*, 6105M, 6105R, 6110, 6115M, 6115R, 6120, 6125M, 6125R, 6200, 6210, 6220, 6230, 6300, 6310, 6320, 6330, 6400, 6410, 6420, 6430, 6605, 6615, 6715, 7130*, 7200*, 7210*, 7230*, 7400*, 7405*, 7410*, 7510*	3 1/8"	79.375mm	B	1000E60MY**	2000E60Y**
3020*, 4020*, 4030*, 4040, 4050, 4055, 4230, 4240, 4250, 4255, 4320, 4420*, 4430*, 4440*, 4455*, 6130M, 6140M, 6150M*, 7020, 7130*, 7200*, 7210*, 7220, 7230*, 7320, 7330, 7400*, 7405*, 7410*, 7420, 7510*, 7520, 8430*	3 3/8"	85.725mm (86mm)		1000E16MY	2000E16Y
4420*, 4430*, 4440*, 4450, 4455*, 4520, 4620, 4630*, 5010, 5020, 6030, 6140R, 6150M*, 6150R, 6170M, 7400*, 7410*, 7430, 7510*, 7530, 7600, 7610, 7700, 7710, 7720*, 7800, 7810, 7820*, 8430*, 8630*	3 5/8"	92.075mm (92mm)		1000E20MY	2000E20Y
4555, 4560, 4630*, 4640, 4650, 4755, 4760, 4840, 4850, 4955, 4960, 6170R, 6190R, 6210R, 7630, 7720*, 7730, 7820*, 7830, 7920, 7930, 7200R, 7210R, 7215R, 7230R, 8100*, 8110*, 8120*, 8130*, 8200*, 8210*, 8440, 8450, 8560, 8570, 8630*, 8640, 8650, 8760, 8770, 8870*, 9100, 9120*, 9200*, 9220*, 9230*, 9300*	3.937"	100mm		1000E100MY	2000E100Y

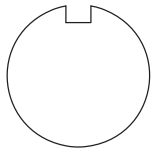
* These models have been produced with more than one axle diameter. Please verify axle diameter with customer before ordering hubs.

** This hub fits both shallow and deep keyed 3 1/8" axles.

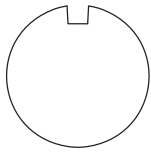
NOTE: Each dual wheel set requires two hubs.

Hubs

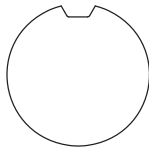
Axle Style / Tractor Axle Configuration



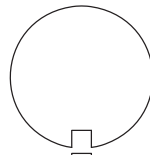
STYLE A



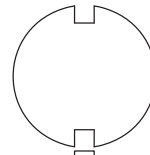
STYLE B



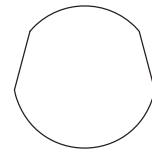
STYLE C



STYLE D



STYLE E



STYLE F

John Deere

Model(s)	Axle Diameter		Axle Style	10-Bolt Wedge-Lok Hub Stock Number	
	Inches	Millimeters		End Wheel Mounting Flange	Center Wheel Mounting Flange
7250R*, 7260R*, 7270R*, 7280R*, 7290R*, 8100*, 8110*, 8120*, 8130*, 8200*, 8210*, 8220*, 8225R*, 8230*, 8235R*, 8245R*, 8260R*, 8270R*, 8285R, 8295R*, 8300, 8310*, 8320*, 8330*, 8400, 8410, 8420*, 8850, 8870*, 8960, 8970, 9120*, 9200*, 9220*, 9230*, 9300*, 9320*, 9330, 9360R*, 9400, 9410R*, 9420*, 9430, 9520*	4.331"	110mm	B	1000E110MY	2000E110Y
7250R*, 7260R*, 7270R*, 7280R*, 7290R*, 8120*, 8130*, 8220*, 8225R, 8230*, 8235R*, 8245R*, 8260R*, 8270R*, 8285R*, 8295R*, 8310R*, 8320*, 8320R, 8330*, 8335R, 8345R, 8360R, 8370R*, 8420*, 8430, 8520, 8530, 9320*, 9360R*, 9410R*, 9420*, 9460R, 9510R, 9520*, 9530, 9560R, 9620, 9630	4.724"	120mm		1000E120MY	2000E120Y

John Deere Scraper Tractors

Model(s)	Axle Diameter		Axle Style	Stock Number
	Inches	Millimeters		
9100, 9120*, 9200*, 9220*, 9230*, 9300*	3.937"	100mm	B	20 Bolt Heavy Duty Hub 16878
9120*, 9200*, 9220*, 9230*, 9300*, 9320*, 9330, 9400, 9420*, 9430, 9520*	4.331"	110mm		20 Bolt Heavy Duty Hub 16857
9320*, 9420*, 9520*, 9530, 9620, 9630	4.724"	120mm		20 Bolt Heavy Duty Hub 16877

Please see Section 14 for Wheels.

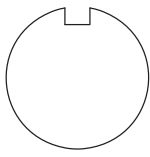
* These models have been produced with more than one axle diameter. Please verify axle diameter with customer before ordering hubs.

** This hub fits both shallow and deep keyed 3 1/8" axles.

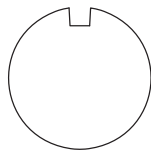
NOTE: Each dual wheel set requires two hubs.

Hubs

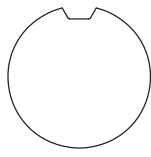
Axle Style / Tractor Axle Configuration



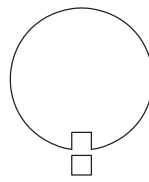
STYLE A



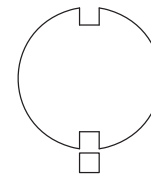
STYLE B



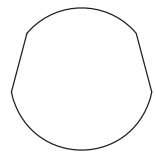
STYLE C



STYLE D



STYLE E



STYLE F

Hesston and Fiat

Model(s)	Axle Diameter		Axle Style	10-Bolt Wedge-Lok Hub Stock Number	
	Inches	Millimeters		End Wheel Mounting Flange	Center Wheel Mounting Flange
1180, 1180DT, 1380, 1380DT, 1580, 1580DT, 1880, 1880DT, 130-90, 130-90DT, 140-90, 140-90DT, 160-90, 160-90DT, 180-90, 180-90DT	3 3/4"	95.25mm	A	1000E30M	2000E30

Fendt

Model(s)	Axle Diameter		Axle Style	10-Bolt Wedge-Lok Hub Stock Number	
	Inches	Millimeters		End Wheel Mounting Flange	Center Wheel Mounting Flange
712, 714, 716, 718, 720, 722, 724, 815, 817, 818, 820	3 3/4"	95mm	C	1000E3530M	2000E3530
712, 714, 716	3 3/4"	95.25mm	A	1000E30M	2000E30
822, 824, 826, 828, 920, 922, 924, 926, 927, 930, 933, 936	4.331"	110mm	C	1000E80110M	2000E80110

Long

Model(s)	Axle Diameter		Axle Style	10-Bolt Wedge-Lok Hub Stock Number	
	Inches	Millimeters		End Wheel Mounting Flange	Center Wheel Mounting Flange
1340	3 1/4"	82.55mm	D	1000E13M	2000E13

NOTE: Models 712, 714 and 716 have been produced with two different axle configurations, but with the same axle diameter. Please verify that the tractor axle is a straight keyway and not a tapered keyway.

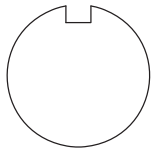
* These models have been produced with more than one axle diameter. Please verify axle diameter with customer before ordering hubs.

** This hub fits both shallow and deep keyed 3 1/8" axles.

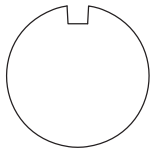
NOTE: Each dual wheel set requires two hubs.

Hubs

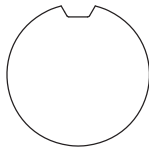
Axle Style / Tractor Axle Configuration



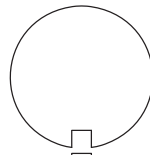
STYLE A



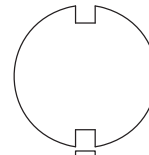
STYLE B



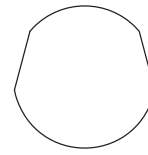
STYLE C



STYLE D



STYLE E



STYLE F

Massey Ferguson

Model(s)	Axle Diameter		Axle Style	10-Bolt Wedge-Lok Hub Stock Number	
	Inches	Millimeters		End Wheel Mounting Flange	Center Wheel Mounting Flange
1100, 1105, 1130, 1135, 1150, 1155, 1500, 1505, 1800, 1805, 2675, 2705, 3140, 3505, 3524, 3525, 3545, 3552, 3630, 3650, 3680*, 6180, 6280, 6290, 6475, 6480	3 1/4"	82.55mm	D	1000E13M+++	2000E13+++
6485, 6490, 6495, 7465, 7475, 7480, 7485, 7490, 7495, 7499, 7619, 7620, 7622, 7624*, 8220, 8240, 8255	3 3/4"	95mm	C	1000E3530M	2000E3530
2745, 2770, 2775, 2800, 2805, 3660, 3670, 3680*, 3690, 8120, 8140, 8150, 8160, 8220*, 8240*, 8255*	3 3/4"	95.25mm	D	1000E30M	2000E30
4840, 4880, 4900	4"	101.6mm	A	-	-
6497, 6499, 7624*, 8245, 8250*, 8260*, 8270, 8280, 8450, 8460, 8470, 8480, 8650, 8660, 8670, 8680, 8690	4.331"	110mm	C	1000E80110M	2000E80110
+++To install 1000E13M or 2000E13 hubs, may require Key #1163 for the axle.					
<u>NOTE:</u> Models 8220, 8240 and 8255 have been produced with two different axle configurations, but with the same axle diameter. Please verify that the tractor axle is a straight keyway and not a tapered keyway.					

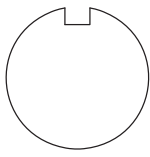
* These models have been produced with more than one axle diameter. Please verify axle diameter with customer before ordering hubs.

** These particular models have been produced with two different axle configurations, but with the same axle diameter. Verify that tractor axle is a wedge-type configuration and not a keyway-type configuration.

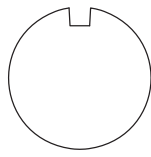
NOTE: Each dual wheel set requires two hubs.

Hubs

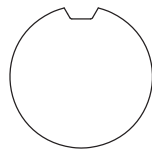
Axle Style / Tractor Axle Configuration



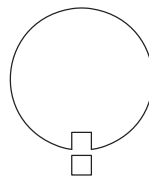
STYLE A



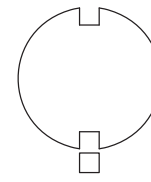
STYLE B



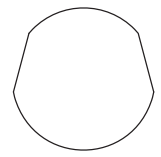
STYLE C



STYLE D



STYLE E



STYLE F

McCormick

Model(s)	Axle Diameter		Axle Style	10-Bolt Wedge-Lok Hub Stock Number	
	Inches	Millimeters		End Wheel Mounting Flange	Center Wheel Mounting Flange
MTX110, MTX120, MTX125, MTX135, MTX140, MTX150, MTX155*, XTX145, XTX165	3 1/2"	88.9mm	A	1000E25M	2000E25
MTX155*, MTX165, MTX175, MTX185, MTX200	4"	101.6mm	A	1000E50M	2000E50
TTX 190, TTX210, TTX320, XTX185, XTX200, XTX215					
ZTX230, ZTX260, ZTX280	4.331"	110mm	C	1000E80110M	2000E80110

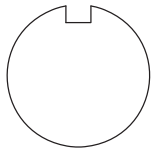
* These models have been produced with more than one axle diameter. Please verify axle diameter with customer before ordering hubs.

** These particular models have been produced with two different axle configurations, but with the same axle diameter. Verify that tractor axle is a wedge-type configuration and not a keyway-type configuration.

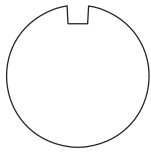
NOTE: Each dual wheel set requires two hubs.

Hubs

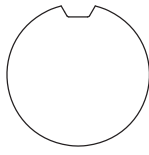
Axle Style / Tractor Axle Configuration



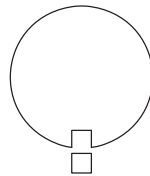
STYLE A



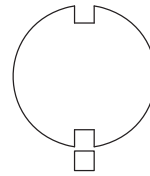
STYLE B



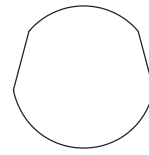
STYLE C



STYLE D



STYLE E



STYLE F

New Holland and Ford

Model(s)	Axle Diameter		Axle Style	10-Bolt Wedge-Lok Hub Stock Number	
	Inches	Millimeters		End Wheel Mounting Flange	Center Wheel Mounting Flange
8670, 8670A, 8830, T6010, T6020, T6030, T6040, T6050, T6060, T6070, T6080, T6.140, T6.150, T6.160, T6.155, T6.165, T6.175, T7.170, T7.175, T7.185, T7.190, T7.200, T7.210, TM120, TM130, TM140, TM155, TS100A, TS115A, TS125A, TS130A, TS135A, TS6.110, TS6.120, TS6.125, TS6.140, TW30, TW35	3 5/8"	92.075mm	F	1000E2920M	2000E2920
8160, 8260, 8360, 8560, TM115, TM125, TM135, TM150, TM165	3 3/4"	95.25mm	A	1000E30M	2000E30
8770, 8770A, 8870, 8870A, 8970, 8970A, T7030, T7040, T7050, T7060, T7070, T7.230, T7.235, T7.245, T7.250, T7.260, T7.270, TM175, TM190	4.13"	105mm	F	1000E31M	2000E31
T8010, T8020, T8030*, T8040*, T8275, T8.275, T8300*, T8.300, T8.320*, T8330*, T8.330*, T8.350*, T9020, TG210, TG215, TG230, TG245, TG255*, TG275*, TG285*, TG305*, TJ275, TJ280, TJ325, TJ330	4"	101.6mm	A	1000E50M	2000E50
T8030*, T8040*, T8050, T8300*, T8.320*, T8330*, T8.330*, T8.350*, T8360, T8.360, T8.380, T8390, T8.390, T8.410, T9030, T9040, T9050, T9060, T9390*, T9450*, T9505*, T9615*, T9670*, TG255*, TG275*, TG285*, TG305*, TJ375, TJ380, TJ430, TJ440, TJ450, TJ480, TJ530	4.528"	115mm	A	1000E70M	2000E70

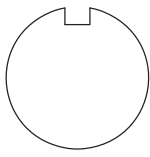
* These models have been produced with more than one axle diameter. Please verify axle diameter with customer before ordering hubs.

** These particular models have been produced with two different axle configurations, but with the same axle diameter. Verify that tractor axle is a wedge-type configuration and not a keyway-type configuration.

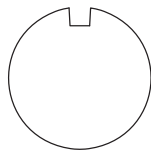
NOTE: Each dual wheel set requires two hubs.

Hubs

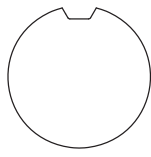
Axle Style / Tractor Axle Configuration



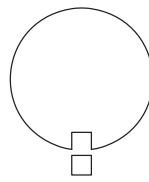
STYLE A



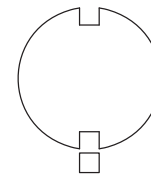
STYLE B



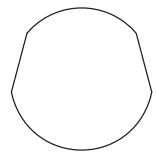
STYLE C



STYLE D



STYLE E



STYLE F

New Holland Scraper Wheels

Model(s)	Axle Diameter		Axle Style	20 Bolt Heavy Duty Hub	Stock Number
	Inches	Millimeters			
T9020, TJ275, TJ280, TJ325, TJ330	4"	101.6mm	A	20 Bolt Heavy Duty Hub	16879
T9030, T9040, T9050, T9060, T9.390, T9.450, T9.505, T9.615, T9.670, TJ375, TJ380, TJ430, TJ440, TJ450, TJ480, TJ530	4.528"	115mm	A	20 Bolt Heavy Duty Hub	16880

Please see Section 14 for Wheels.

Steiger

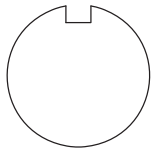
Model(s)	Axle Diameter		Axle Style	10-Bolt Wedge-Lok Hub Stock Number	
	Inches	Millimeters		End Wheel Mounting Flange	Center Wheel Mounting Flange
WILDCAT RC210 (Order K-13 Steel key for this Application)	3 1/4"	82.55mm	D	1000E13M	2000E13
BEARCAT 1000, COUGAR 1000, PUMA 1000	4"	101.6mm	G	1000E1450M	2000E1450

- * These models have been produced with more than one axle diameter. Please verify axle diameter with customer before ordering hubs.
- ** These particular models have been produced with two different axle configurations, but with the same axle diameter. Verify that tractor axle is a wedge-type configuration and not a keyway-type configuration.

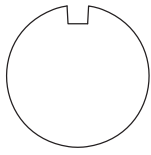
NOTE: Each dual wheel set requires two hubs.

Hubs

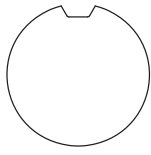
Axle Style / Tractor Axle Configuration



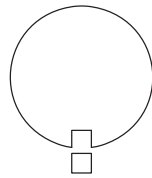
STYLE A



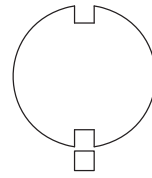
STYLE B



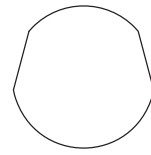
STYLE C



STYLE D



STYLE E



STYLE F

White and AGCO White

Model(s)	Axle Diameter		Axle Style	10-Bolt Wedge-Lok Hub Stock Number	
	Inches	Millimeters		End Wheel Mounting Flange	Center Wheel Mounting Flange
2-85, 2-88, 2-105, 2-110, 4-150, 4-175	3 3/16"	80.96mm	G	-	-
6710, 6810	3 1/4"	82.55mm	D	1000E13M++	2000E13++
6124, 6144, 8310*, 8410*	3 3/4"	95.25mm	A	1000E30M	2000E30
140*, 145, 160, 170, 185, 195, 2-135, 2-155, 2-180, 2-185, 4-210, 4-225, 4-270, 6125, 6145, 6175**, 6195**, 6215**, 8310*, 8410* (See Notes Below)	3 7/8"	98.425mm	E	1000E88M+	2000E88+
8510, 8610, 8710, 8810	4.331"	110mm	C	1000E80110M	2000E80110
+ To install 1000E88 & 2000E88 Hub, the two loose keys in tractor axle must be shortened (cut off).					
++ To install 1000E13M or 2000E13 hubs, may require Key #1163 for the Axle.					

* These models have been produced with more than one axle diameter. Please verify axle diameter with customer before ordering hubs.

** These models may have a dealer-installed 110mm diameter axle with a straight keyway, 1000E80110M & 2000E80110 will not work on this axle. Please see Section 3 for other dual wheel options.

NOTE: Each dual wheel set requires two hubs.

Hub and Hub Accessories

Wedg-Lok Base Hub Casting

Description	Approximate Weight	Stock Number
1000E Base Hub (Black)	115 lbs.	1000EM
1000E Base Hub (Yellow)	115 lbs.	1000EMY
2000E Base Hub (Black)	126 lbs.	2000E
2000E Base Hub (Yellow)	126 lbs.	2000EY

The 1000E and 2000E base casting includes the necessary bolts to attach the Wheel to the Hub.

Keyed and Radius Hub Insert Sets

Description	Approximate Weight	Stock Number
1000E8M and 2000E8 Hub Inserts	44 lbs.	KR-8M
1000E13M and 2000E13 Hub Inserts	51 lbs.	KR-13M
1000E16MY and 2000E16Y Hub Inserts	49 lbs.	KR-16MY
1000E20M and 2000E20 Hub Inserts	47 lbs.	KR-20M
1000E20MY and 2000E20Y Hub Inserts	47 lbs.	KR-20MY
1000E25M and 2000E25 Hub Inserts	48 lbs.	KR-25M
1000E30M and 2000E30 Hub Inserts	46 lbs.	KR-30M
1000E31M and 2000E31 Hub Inserts	42 lbs.	KR-31M
1000E3530M and 2000E3530 Hub Inserts	45 lbs.	KR-3530M
1000E50M and 2000E50 Hub Inserts	43 lbs.	KR-50M
1000E60MY and 2000E60Y Hub Inserts	51 lbs.	KR-60MY
1000E70M and 2000E70 Hub Inserts	37 lbs.	KR-70M
1000E100MY and 2000E100Y Hub Inserts	44 lbs.	KR-100MY
1000E110MY and 2000E110Y Hub Inserts	39 lbs.	KR-110MY
1000E120MY and 2000E120Y Hub Inserts	34 lbs.	KR-120MY
1000E88M and 2000E88 Hub Inserts	45 lbs.	KK-88M
1000E1450M and 2000E1450 Hub Inserts	43 lbs.	KR-1450M
1000E2920M and 2000E2920 Hub Inserts	47 lbs.	KR-2920M
1000E80110M and 2000E80110 Hub Inserts	39 lbs.	KR-80110M

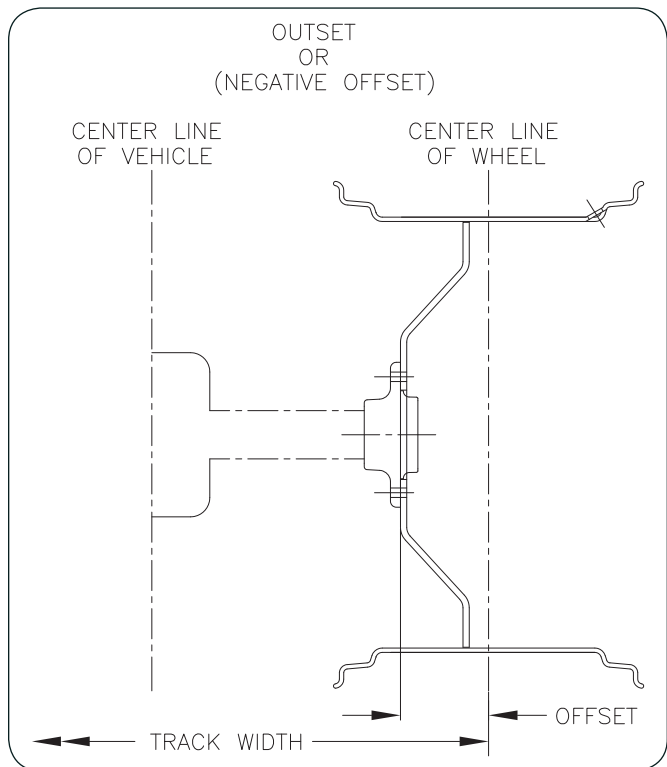
All sets of inserts include the necessary hardware to attach the inserts to the hub casting, and the jackbolts to remove the inserts from the hub casting.

9 to 10 Hole Adapter Ring

Description	Approximate Weight	Stock Number
.875" Adapter Ring to mount wheel w/10 on 13.1870 B.C. onto hub w/9 on 9.500 B.C. (7/8" Hardware Included)	40 lbs.	14343

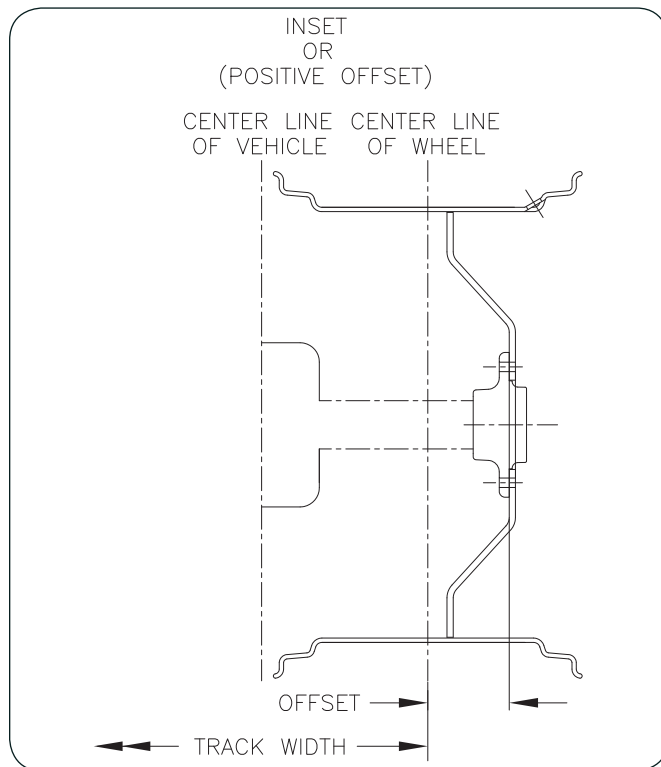
Offset Definition (Outset / Inset)

Offset is the distance between the rim centerline and the vertical mounting face of the disc.



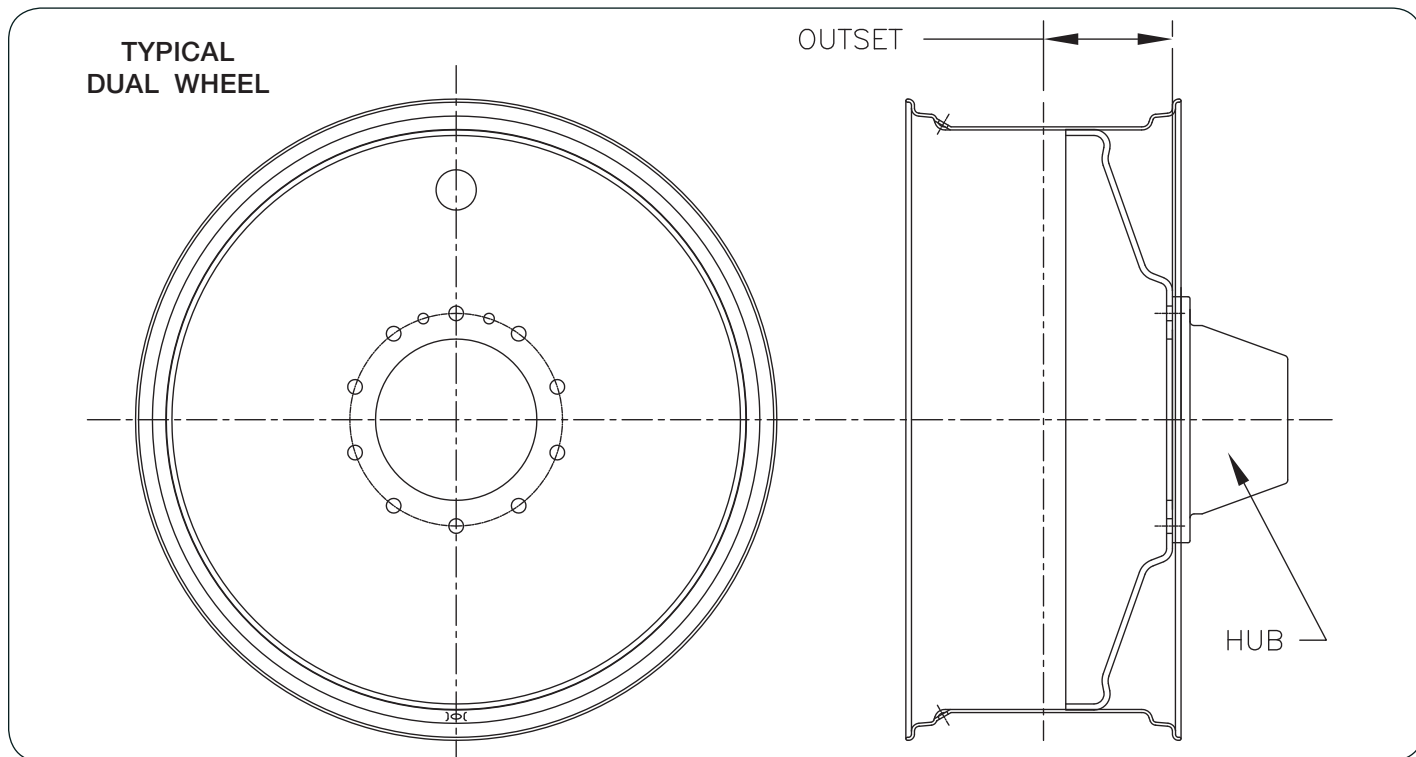
NEGATIVE OFFSET (OUTSET)

Offset is the distance between the mounting face of the disc and the rim centerline. This distance is termed negative when the mounting face is inboard of the rim centerline, as shown in drawing above.



POSITIVE OFFSET (INSET)

Offset is the distance between the mounting face of the disc and the rim centerline. This distance is termed positive when the mounting face is outboard of the rim centerline, as shown in drawing above.

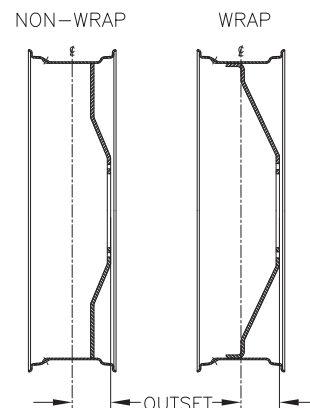
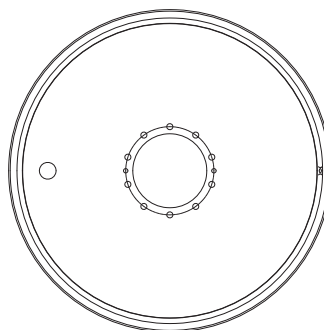


10-Hole Wheels for Wedg-Lok & 91E Series Hubs

10-Hole Formed-Plate Wheel

Full-Contact Disc Dual Wheels

NOTE: Wheels with
.375" Disc should NOT
be used on tractors
200hp or larger.



30" Diameter Rims

Dual Tire Size	Rim Width	Outset	JD	Case-IH	Disc	Notes	Approx. Weight	Stock Number
23.1x30	20"	12.00"			.375" Non-Wrap	Maximum Offset	187 lbs.	1363

32" Diameter Rims

Dual Tire Size	Rim Width	Outset	JD	Case-IH	Disc	Notes	Approx. Weight	Stock Number
24.5x32, 650/75R32	21"	12.50"			.50" Non-Wrap	Maximum Offset	232 lbs.	1364
30.5x32, 800/65R32	27"	15.50"			.375" Non-Wrap	Maximum Offset	268 lbs.	1365

38" Diameter Rims

Dual Tire Size	Rim Width	Outset	JD	Case-IH	Disc	Notes	Approx. Weight	Stock Number
16.9x38, 18.4x38	16"	6.75"	X		.375" Wrap	OEM JD Offset	250 lbs.	11694
		8.00"		X	.375" Wrap	OEM Case Offset	250 lbs.	11711
		10.437"	X		.375" Wrap	Maximum Offset	250 lbs.	11580
20.8x38, 580/70R38	18"	6.75"	X		.375" Wrap	OEM JD Offset	263 lbs.	11695
		8.00"		X	.375" Wrap	OEM Case Offset	263 lbs.	11710
		11.437"			.375" Wrap	Maximum Offset	263 lbs.	11581

"X" Denotes that this offset matches the current offset of this manufacturer.

For wheel outset description, please refer to page 1-16.

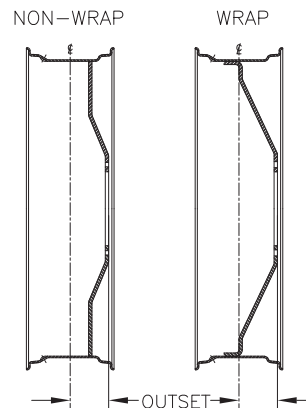
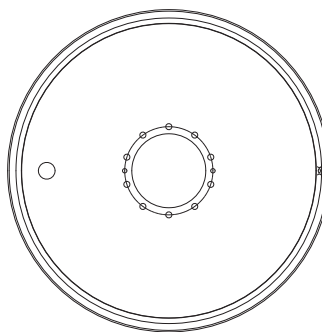
These wheels can be ordered according to color codes by adding the appropriate code to the Stock Number: (ACG) for AGCO Corporate Gray, (FR) for Fendt Red, (SM) for Silver Mist, (W) for White and (Y) for Yellow.

10-Hole Wheels for Wedg-Lok & 91E Series Hubs

10-Hole Formed-Plate Wheel

Full-Contact Disc Dual Wheels

NOTE: Wheels with
.375" Disc should NOT
be used on tractors
200hp or larger.



42" Diameter Rims

Dual Tire Size	Rim Width	Outset	JD	Case-IH	Disc		Notes	Approx. Weight	Stock Number
9.5x42	8"	7.25"			.375"	Wrap	Maximum Offset	255 lbs.	11056
12.4x42, 320/90R42	9"	7.75"			.375"	Wrap	Maximum Offset	263 lbs.	13733
12.4x42, 320/90R42	10"	8.125"			.375"	Wrap	Maximum Offset	270 lbs.	11057
16.9x42	14"	9.50"			.375"	Non-Wrap	Maximum Offset	316 lbs.	11789
18.4x42	16"	6.75"	X		.375"	Wrap	OEM JD Offset	319 lbs.	11691
		8.00"		X	.375"	Wrap	OEM Case Offset	319 lbs.	11714
		10.437"			.375"	Wrap	-10.437" Offset	319 lbs.	11137
		11.75"			.375"	Wrap	Maximum Offset	319 lbs.	16398
20.8x42	18"	6.75"	X		.375"	Wrap	OEM JD Offset	335 lbs.	11692
		8.00"		X	.375"	Wrap	OEM Case Offset	335 lbs.	11713
		8.00"		X	.375"	Wrap	OEM Case Offset	310 lbs.	12879
		10.937"			.375"	Wrap	Maximum Offset	335 lbs.	11136
		12.75"			.375"	Wrap	Maximum Offset	335 lbs.	16746
620/70R42	20"	8.00"		X	.375"	Wrap	OEM Case Offset	404 lbs.	13143
		12.00"			.375"	Wrap	Maximum Offset	404 lbs.	13144

44" Diameter Rims

Dual Tire Size	Rim Width	Outset	JD	Case-IH	Disc		Notes	Approx. Weight	Stock Number
8.3x44, 230/95R44, 9.5x44	8"	4.125"			.50"	Non-Wrap	Maximum Offset	274 lbs.	10637

"X" Denotes that this offset matches the current offset of this manufacturer.

For wheel outset description, please refer to page 1-16.

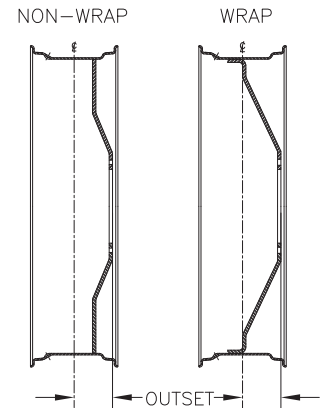
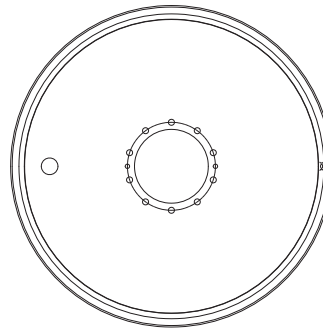
These wheels can be ordered according to color codes by adding the appropriate code to the Stock Number: (ACG) for AGCO Corporate Gray, (FR) for Fendt Red, (SM) for Silver Mist, (W) for White and (Y) for Yellow.

10-Hole Wheels for Wedg-Lok & 91E Series Hubs

10-Hole Formed-Plate Wheel

Full-Contact Disc Dual Wheels

NOTE: Wheels with .375" Disc should NOT be used on tractors 200hp or larger.



46" Diameter Rims

Dual Tire Size	Rim Width	Outset	JD	Case-IH	Disc		Notes	Approx. Weight	Stock Number
12.4x46, 320/90R46	10"	4.625"			.50"	Non-Wrap	Maximum Offset	326 lbs.	10639
		8.75"			.50"	Wrap	Maximum Offset	377 lbs.	13132
340/85R46, 13.6x46, 14.9x46, 380/70R46, 380/90R46, 420/80R46	12"	5.75"			.50"	Non-Wrap	-5.75" Offset	344 lbs.	10487
		8.125"			.50"	Non-Wrap	Maximum Offset	359 lbs.	12008
14.9x46, 380/70R46, 380/90R46, 420/80R46	13"	6.25"			.50"	Non-Wrap	Maximum Offset	356 lbs.	11704
		8.25"			.50"	Wrap	-8.25" Offset	371 lbs.	18025
		11.00"			.50"	Wrap	Maximum Offset	407 lbs.	13572
18.4x46, 520/85R46	16"	6.75"	X		.375"	Wrap	OEM JD Offset	341 lbs.	11693
		7.00"		X	.375"	Wrap	OEM Case Offset	341 lbs.	11712
		9.25"			.375"	Wrap	Maximum Offset	341 lbs.	10815

48" Diameter Rims

Dual Tire Size	Rim Width	Outset	JD	Case-IH	Disc		Notes	Approx. Weight	Stock Number
230/95R48, 9.5x48	8"	4.125"			.50"	Non-Wrap	Maximum Offset	321 lbs.	10638

"X" Denotes that this offset matches the current offset of this manufacturer.

For wheel outset description, please refer to page 1-16.

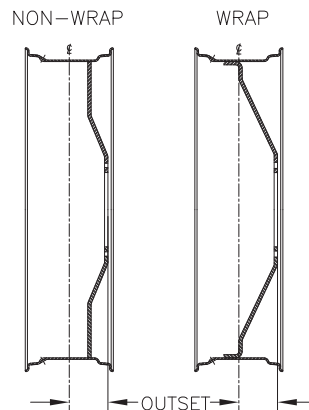
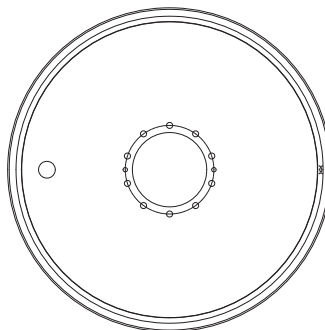
These wheels can be ordered according to color codes by adding the appropriate code to the Stock Number: (ACG) for AGCO Corporate Gray, (FR) for Fendt Red, (SM) for Silver Mist, (W) for White and (Y) for Yellow.

10-Hole Wheels for Wedg-Lok & 91E Series Hubs

10-Hole Formed-Plate Wheel

Full-Contact Disc Dual Wheels

NOTE: Wheels with .375" Disc should NOT be used on tractors 200hp or larger.



50" Diameter Rims

Dual Tire Size	Rim Width	Outset	JD	Case-IH	Disc		Notes	Approx. Weight	Stock Number
320/90R50	10"	4.50"			.50"	Non-Wrap	-4.50" Offset	376 lbs.	12010
		6.00"			.50"	Non-Wrap	-6.00" Offset	370 lbs.	13305
		7.75"			.50"	Non-Wrap	Maximum Offset	386 lbs.	12927
380/90R50	12"	2.00"			.625"	Non-Wrap	Straight Plate Wheel	432 lbs.	17407
		6.00"			.50"	Non-Wrap	-6.00" Offset	390 lbs.	13734
		7.00"			.50"	Non-Wrap	-7.00" Offset	390 lbs.	13735

52" Diameter Rims

Dual Tire Size	Rim Width	Outset	JD	Case-IH	Disc		Notes	Approx. Weight	Stock Number
12.4x52	10"	4.656"			.50"	Non-Wrap	Maximum Offset	389 lbs.	11811

54" Diameter Rims

Dual Tire Size	Rim Width	Outset	JD	Case-IH	Disc		Notes	Approx. Weight	Stock Number
12.4x54	10"	0"			.625"	Non-Wrap	Zero Offset Plate Whl	530 lbs.	15474
		6.00"			.50"	Non-Wrap	-6.00" Offset	486 lbs.	13307
		7.25"			.50"	Non-Wrap	Maximum Offset	470 lbs.	12782
380/90R54	12"	8.00"			.50"	Non-Wrap	Maximum Offset	501 lbs.	17075

"X" Denotes that this offset matches the current offset of this manufacturer.

For wheel outset description, please refer to page 1-16.

These wheels can be ordered according to color codes by adding the appropriate code to the Stock Number: (ACG) for AGCO Corporate Gray, (FR) for Fendt Red, (SM) for Silver Mist, (W) for White and (Y) for Yellow.

10-Hole Wheels for Wedg-Lok & 91E Series Hubs

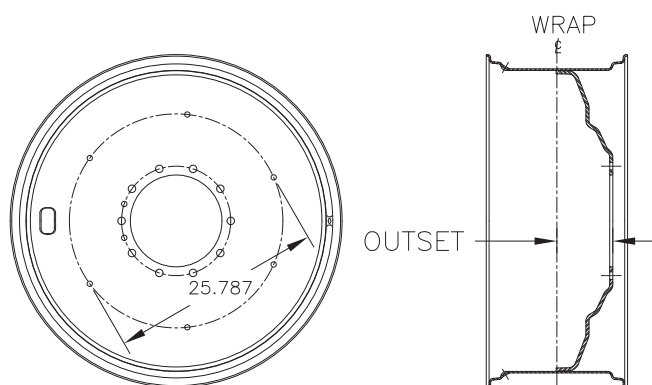
10-Hole Formed-Plate Wheel

Full-Contact Disc Dual Wheels with Weight Holes

NOTE: Wheels with .375" Disc should NOT be used on tractors 200hp or larger.

¹ These wheels can also be used as the primary wheel for Case-IH 8900, MX Magnum, and STX Series tractors with a hub and steel wheel assembly.

All wheels on page 1-21 thru 1-24 utilize a disc that has 6 wheel weight holes on a 25.787" bolt circle.



38" Diameter Rims

Dual Tire Size	Rim Width	Outset	JD	Case-IH	Disc		Notes	Approx. Weight	Stock Number	
16.9x38, 18.4x38	16"	6.75"	X		.375"	Wrap	OEM JD Offset	250 lbs.	12272	
		8.00"			.375"	Wrap	-8.00" Offset	250 lbs.	13605	
					.50"	Wrap	-8.00" Offset	294 lbs.	13997	
		9.25"		X		.50"	Wrap	OEM Case / NH Offset	294 lbs.	15526
		10.438"					.375"	Wrap	Maximum Offset	250 lbs.
					.50"	Wrap	Maximum Offset	294 lbs.	13998	
20.8x38, 580/70R38	18"	6.75"			.375"	Wrap	-6.75" Offset	262 lbs.	12274	
		8.00"				.375"	Wrap	-8.00" Offset	262 lbs.	13606
					.50"	Wrap	-8.00" Offset	306 lbs.	13999	
		9.25"	X			.375"	Wrap	OEM JD Offset	262 lbs.	15527
			X	X		.50"	Wrap	OEM Case / JD / NH Offset	306 lbs.	15528
		11.438"				.375"	Wrap	Maximum Offset	262 lbs.	12275
600/60-38, 620/70R38, 650/60-38, 650/65R38, 650/85R38	20"	8.00"	X	X	.50"	Wrap	-8.00" Offset	388 lbs.	19547	
		12.25"	X	X	.50"	Wrap	-12.25" Offset	388 lbs.	19548	
700/65-38, 710/70R38, 750/65-38 (.50" Disc for MFWD, .625" Disc for 4WD or HD Applications)	23"	8.00"		X	.50"	Wrap	OEM Case / NH Offset	417 lbs.	12286	
				X	.625"	Wrap	OEM Case / NH Offset	459 lbs.	16387	
		12.25"	X		.50"	Wrap	OEM JD / Maximum Offset	417 lbs.	12287	
			X		.625"	Wrap	OEM JD / Maximum Offset	459 lbs.	16388	
800/70R38 (.50" Disc for MFWD, .625" Disc for 4WD or HD Applications)	25"	8.00"		X	.50"	Wrap	OEM Case / NH Offset	434 lbs.	16391	
				X	.625"	Wrap	OEM Case / NH Offset	476 lbs.	16389	
		11.25"	X		.50"	Wrap	OEM JD Offset	434 lbs.	16392	
			X		.625"	Wrap	OEM JD Offset	476 lbs.	16390	
800/70R38, 900/60R38	27"	8.00"			.50"	Wrap	-8.00" Offset	454 lbs.	19654	
		14.50"			.50"	Wrap	-14.50" Offset	454 lbs.	19655	

"X" Denotes that this offset matches the current offset of this manufacturer.

For wheel outset description, please refer to page 1-16.

These wheels can be ordered according to color codes by adding the appropriate code to the Stock Number: (ACG) for AGCO Corporate Gray, (FR) for Fendt Red, (SM) for Silver Mist, (W) for White and (Y) for Yellow.

10-Hole Wheels for Wedg-Lok & 91E Series Hubs

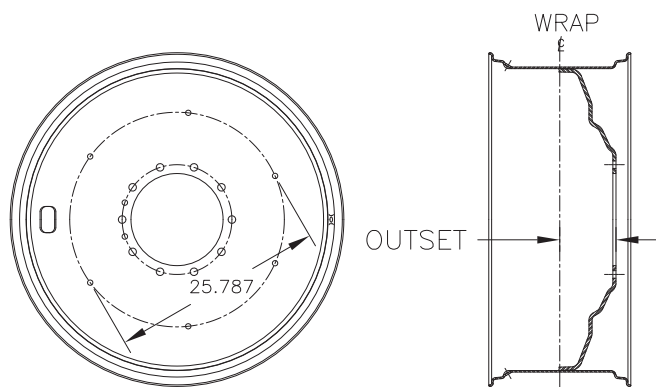
10-Hole Formed-Plate Wheel

Full-Contact Disc Dual Wheels with Weight Holes

NOTE: Wheels with .375" Disc should NOT be used on tractors 200hp or larger.

¹ These wheels can also be used as the primary wheel for Case-IH 8900, MX Magnum, and STX Series tractors with a hub and steel wheel assembly.

All wheels on page 1-21 thru 1-24 utilize a disc that has 6 wheel weight holes on a 25.787" bolt circle.



42" Diameter Rims

Dual Tire Size	Rim Width	Outset	JD	Case-IH	Disc		Notes	Approx. Weight	Stock Number
16.9x42	14"	9.50"			.375"	Wrap	Maximum Offset	314 lbs.	12276
18.4x42	16"	6.75"	X		.375"	Wrap	OEM JD Offset	317 lbs.	12277
		8.00"			.375"	Wrap	-8.00" Offset	317 lbs.	13607
		9.25"			.50"	Wrap	-8.00" Offset	373 lbs.	14328
			X		.50"	Wrap	OEM Case / NH Offset	373 lbs.	15529
					.375"	Wrap	Maximum Offset	317 lbs.	12278
10.438			.50"	Wrap	Maximum Offset	373 lbs.	14329		
20.8x42	18"	6.75"			.375"	Wrap	-6.75" Offset	333 lbs.	12279
		8.00"			.375"	Wrap	-8.00" Offset	333 lbs.	13608
					.50"	Wrap	-8.00" Offset	388 lbs.	14330
		9.25"	X		.375"	Wrap	OEM JD Offset	333 lbs.	15530
			X	X	.50"	Wrap	OEM Case / JD / NH Offset	388 lbs.	15531
		10.938"			.375"	Wrap	Maximum Offset	333 lbs.	12280
			.50"	Wrap	Maximum Offset	388 lbs.	14331		
620/70R42 (.50" Disc for MFWD, .625" Disc for 4WD or HD Applications)	20"	8.00"			.50"	Wrap	-8.00" Offset	454 lbs.	14333
		9.50"		X	.50"	Wrap	OEM Case / NH Offset	454 lbs.	15532
		12.00"	X		.50"	Wrap	OEM JD / Maximum Offset	454 lbs.	14332
710/70R42 (.50" Disc for MFWD, .625" Disc for 4WD or HD Applications)	23"	8.00"		X	.50"	Wrap	OEM Case / NH Offset	486 lbs.	16001
		12.25"	X		.50"	Wrap	Maximum Offset	486 lbs.	15054
		14.00"	X		.50"	Wrap	Maximum Offset	540 lbs.	16394
710/70R42	25"	8.00"			.625"	Wrap	-8.00" Offset	540 lbs.	19048
		14.00"			.625"	Wrap	-14.00" Offset	540 lbs.	19047
850/55-42, 900/50R42	28"	15.75"			.625"	Wrap		573 lbs.	18023

"X" Denotes that this offset matches the current offset of this manufacturer.

For wheel outset description, please refer to page 1-16.

These wheels can be ordered according to color codes by adding the appropriate code to the Stock Number: (ACG) for AGCO Corporate Gray, (FR) for Fendt Red, (SM) for Silver Mist, (W) for White and (Y) for Yellow.

10-Hole Wheels for Wedg-Lok & 91E Series Hubs

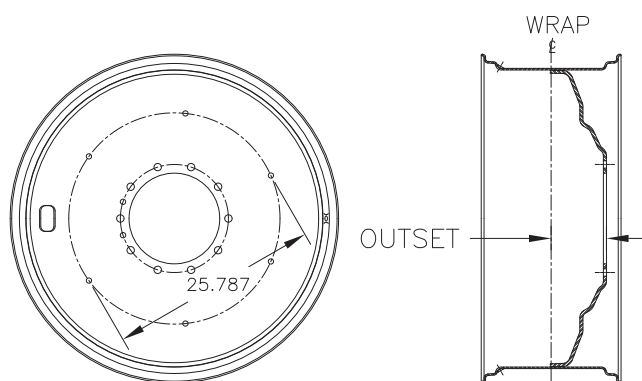
10-Hole Formed-Plate Wheel

Full-Contact Disc Dual Wheels with Weight Holes

NOTE: Wheels with .375" Disc should NOT be used on tractors 200hp or larger.

¹ These wheels can also be used as the primary wheel for Case-IH 8900, MX Magnum, and STX Series tractors with a hub and steel wheel assembly.

All wheels on page 1-21 thru 1-24 utilize a disc that has 6 wheel weight holes on a 25.787" bolt circle.



46" Diameter Rims

Dual Tire Size	Rim Width	Outset	JD	Case-IH	Disc	Notes	Approx. Weight	Stock Number	
340/85R46, 13.6x46, 14.9x46, 380/70R46, 380/90R46, 420/80R46	12"	5.75"			.375"	Wrap	-5.75" Offset	330 lbs.	12281
					.50"	Wrap	-5.75" Offset	390 lbs.	14334
		8.00"			.375"	Wrap	-8.00" Offset	330 lbs.	15206
					.50"	Wrap	-8.00" Offset	390 lbs.	15516
		10.50"			.375"	Wrap	Maximum Offset	330 lbs.	12339
					.50"	Wrap	Maximum Offset	390 lbs.	14335
14.9x46, 380/70R46, 380/90R46, 420/80R46	13"	6.25"			.375"	Wrap	-6.25" Offset	342 lbs.	12282
					.50"	Wrap	-6.25" Offset	402 lbs.	14336
		9.25"			.50"	Wrap	OEM Case / JD Offset	402 lbs.	17212
					.375"	Wrap	Maximum Offset	342 lbs.	12340
			X		.50"	Wrap	Maximum Offset	402 lbs.	14337
18.4x46, 480/80R46, 520/85R46	16"	6.75"	X		.375"	Wrap	OEM JD Offset	365 lbs.	12283
			X		.50"	Wrap	OEM JD Offset	426 lbs.	15517
		7.00"			.375"	Wrap	-7.00" Offset	365 lbs.	13610
					.50"	Wrap	-7.00" Offset	426 lbs.	14338
		9.25"		X	.375"	Wrap	OEM Case / JD / NH Offset	365 lbs.	12284
				X	.50"	Wrap	OEM Case / JD / NH Offset	426 lbs.	14667
		11.75"			.375"	Wrap	Maximum Offset	365 lbs.	14599
					.50"	Wrap	Maximum Offset	426 lbs.	14339
620/70R46	20"	11.00"	X		.625"	Wrap	OEM JD / Maximum Offset	558 lbs.	15663

"X" Denotes that this offset matches the current offset of this manufacturer.

For wheel outset description, please refer to page 1-16.

These wheels can be ordered according to color codes by adding the appropriate code to the Stock Number: (ACG) for AGCO Corporate Gray, (FR) for Fendt Red, (SM) for Silver Mist, (W) for White and (Y) for Yellow.

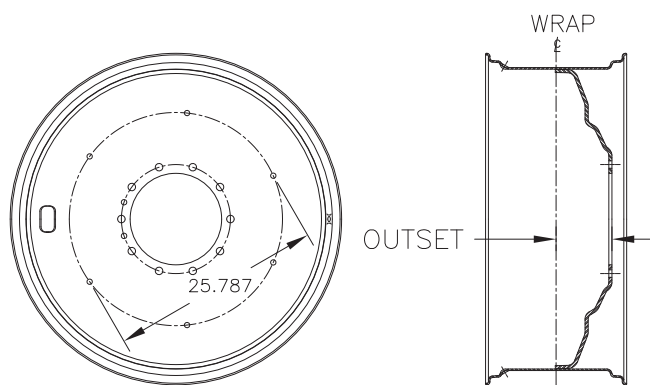
10-Hole Wheels for Wedg-Lok & 91E Series Hubs 10-Hole Formed-Plate Wheel

Full-Contact Disc Dual Wheels with Weight Holes

NOTE: Wheels with .375" Disc should NOT be used on tractors 200hp or larger.

¹ These wheels can also be used as the primary wheel for Case-IH 8900, MX Magnum, and STX Series tractors with a hub and steel wheel assembly.

All wheels on page 1-21 thru 1-24 utilize a disc that has 6 wheel weight holes on a 25.787" bolt circle.



50" Diameter Rims

Dual Tire Size	Rim Width	Outset	JD	Case-IH	Disc		Notes	Approx. Weight	Stock Number
320/90R50	10"	6.75"			.50"	Wrap	-6.75" Offset	416 lbs.	14952
		7.50"			.50"	Wrap	Maximum Offset	416 lbs.	14953
380/90R50	12"	6.50"			.50"	Wrap	-6.50" Offset	436 lbs.	14954
		7.625"	X		.50"	Wrap	OEM JD Offset	436 lbs.	16846Y
		8.375"			.50"	Wrap	Maximum Offset	436 lbs.	14955
480/80R50	15"	6.75"	X		.50"	Wrap	OEM JD Offset	464 lbs.	14956
		8.50"			.50"	Wrap	-8.50" Offset	464 lbs.	17210
		8.75"			.50"	Wrap	Maximum Offset	464 lbs.	14957

54" Diameter Rims

Dual Tire Size	Rim Width	Outset	JD	Case-IH	Disc		Notes	Approx. Weight	Stock Number
270/95R54, 12.4R54, 320/90R54, 320/105R54	10"	6.00"			.50"	Wrap	-6.00" Offset	521 lbs.	110202
		9.00"			.50"	Wrap	-9.00" Offset	521 lbs.	110203
380/90R54	12"	6.00"			.50"	Wrap	-6.00" Offset	551 lbs.	110204
		9.00"			.50"	Wrap	-9.00" Offset	551 lbs.	110205

"X" Denotes that this offset matches the current offset of this manufacturer.

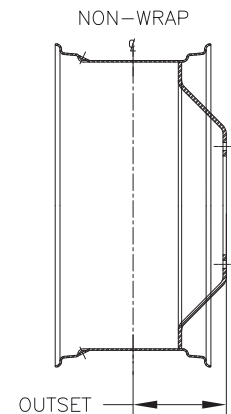
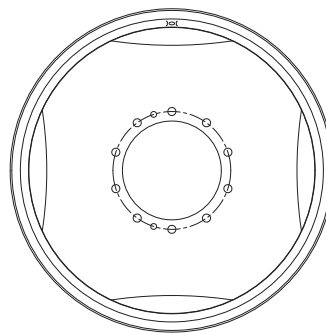
For wheel outset description, please refer to page 1-16.

These wheels can be ordered according to color codes by adding the appropriate code to the Stock Number: (ACG) for AGCO Corporate Gray, (FR) for Fendt Red, (SM) for Silver Mist, (W) for White and (Y) for Yellow.

10-Hole Wheels for Wedg-Lok & 91E Series Hubs

10-Hole Formed-Plate Wheel

4-Spoke Formed-Plate Dual Wheels (3/8" Thick, Non-Wrap)



38" Diameter Rims

Dual Tire Size	Rim Width	Outset	JD	Case-IH	Description	Approx. Weight	Stock Number
12.4x38, 13.6x38, 14.9x38	12"	8.437"			Maximum Offset Dual Wheel	190 lbs.	1370SM
16.9x38, 18.4x38	16"	6.75"	X		OEM JD Offset Dual Wheel	211 lbs.	11689Y
		8.00"		X	OEM Case Offset Dual Wheel	211 lbs.	11716SM
20.8x38, 580/70R38	18"	6.75"	X		OEM JD Offset Dual Wheel	217 lbs.	11690Y
		8.00"		X	OEM Case Offset Dual Wheel	217 lbs.	11715SM

42" Diameter Rims

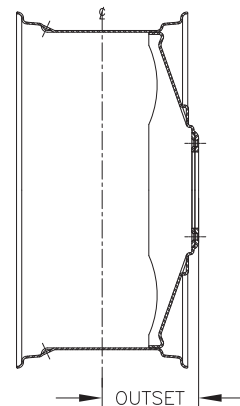
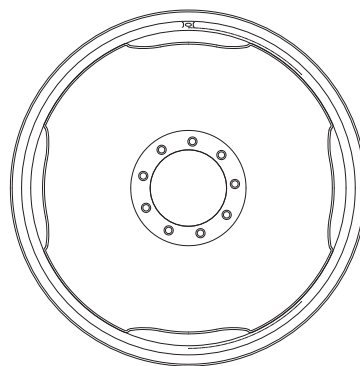
Dual Tire Size	Rim Width	Outset	JD	Case-IH	Description	Approx. Weight	Stock Number
12.4 x 42, 320/90R42	9"	6.75"			1/2" Thick Plate, Maximum Offset Dual Wheel	259 lbs.	10784SM 10784Y

"X" Denotes that this offset matches the current offset of this manufacturer.
For wheel outset description, please refer to page 1-16.

These wheels can be ordered according to color codes by adding the appropriate code to the Stock Number: (SM) for Silver Mist or (Y) for Yellow.

9-Hole Wheels for 81E, 71E and 51E Series Hubs 9-Hole Pressed-Steel Wheels

4-Spoke Pressed-Steel Dual Wheels



34" Diameter Rims

Dual Tire Size	Outset	Description	Approx. Weight	Stock Number
16.9x34, 18.4x34	9.75"	15 x 34 Double Strength Wheel	158 lbs.	WPS1534
480/70R34	9.437"	16 x 34 Double Strength Wheel	187 lbs.	WPS1634
20.8x34	11.187"	18 x 34 Double Strength Wheel	171 lbs.	WPS1834

38" Diameter Rims

Dual Tire Size	Outset	Description	Approx. Weight	Stock Number
11.2x38, 12.4x38	7.00"	10 x 38 Double Strength Wheel	156 lbs.	WPS1038
12.4x38, 13.6x38, 14.9x38	8.25"	12 x 38 Double Strength Wheel	168 lbs.	WPS1238
15.5x38, 16.9x38	9.75"	14 x 38 Double Strength Wheel	163 lbs.	WPS1438
16.9x38, 18.4x38	10.187"	16 x 38 Double Strength Wheel	189 lbs.	WPS1638
	5.687"	16 x 38 Double Strength Wheel	189 lbs.	WPS01638
20.8x38, 580/70R38	5.969"	18 x 38 Double Strength Wheel	195 lbs.	WPS01838

For wheel outset description, please refer to page 1-16.

These wheels can be ordered according to color codes by adding the appropriate code to the Stock Number: (SM) for Silver Mist or (Y) for Yellow.

MFWD Dual Packages

The use of MFWD duals will increase traction and flotation while reducing soil compaction. These duals can be set for tillage work or some limited row crop settings. Please refer to the following pages for tread setting positions and configurations for the inner wheel, dual wheel and the extension length required. These dual wheel packages include 2 wheels, 2 extensions and all attaching hardware.

AGCO, Challenger, Fendt and Massey Ferguson

Models	MFD Axle Specifications	Tire Size to be Used	Wheel Size	Hub Extension Length	Dual Package Stock Number
DT200, DT205B, DT225, DT225B, DT220A, DT240A, DT250B, DT275B, MT645C, MT655, MT655C, MT665, MT665C, MT675C, 920, 922, 924, 926, 927, 930, 933, 936, MF 8270, MF 8280, MF 8470, MF 8480, MF8650, MF8660, MF8670, MF8680	12 holes (.9370) equally spaced on 16.7320 bolt circle with 14.6250 pilot and 74.50" hub/hub	14.9R28, 420/70R28, 420/85R28	13 x 28	15.5"	See Configurator
		16.9R28, 18.4R28, 480/70R28	15 x 28	15.5"	
		600/65R28	18 x 28	22"	
		14.9R30, 380/85R30, 420/90R30	13 x 30	15.5"	
				22"	
		16.9R30, 480/70R30	15 x 30	15.5"	
		290/95R34, 320/85R34	10 x 34	15.5"	
				22"	
		14.9R34, 380/85R34, 420/85R34	13 x 34	15.5"	
				22"	
		480/70R34	15 x 34	15.5"	
				22"	
320/85R38	10 x 38	15.5"			
		22"			
14.9R38, 380/80R38	12 x 38	15.5"			
		22"			

Case-IH

Models	MFD Axle Specifications	Tire Size to be Used	Wheel Size	Hub Extension Length	Dual Package Stock Number
8900 Series, MX180, MX200, MX210*, MX215*, MX220, MX230*, MX245*, Magnum 180, 190, 210, 215*, 225*, 235*, 245* (*This tractor model was made with a 10 hole and 12 hole front hub. Please verify number of holes with customer before ordering MFWD dual packages.)	10 holes (.8430) equally spaced on 13.1870 bolt circle with 11.0600 pilot and 74.25" hub/hub	14.9R28, 420/70R28, 420/85R28	13 x 28	15.5"	See Configurator
		16.9R28, 18.4R28, 480/70R28	15 x 28	15.5"	
		600/65R28	18 x 28	15.5"	
				21.5"	
		14.9R30, 380/85R30, 420/90R30	13 x 30	15.5"	
				21.5"	
		16.9R30, 480/70R30	15 x 30	15.5"	
		290/95R34, 320/85R34	10 x 34	15.5"	
				21.5"	
		14.9R34, 380/85R34, 420/85R34	13 x 34	15.5"	
				21.5"	
		480/70R34	15 x 34	15.5"	
		15.5"			
320/85R38	10 x 38	15.5"			
		21.5"			
14.9R38, 380/80R38	12 x 38	15.5"			
		21.5"			

MFWD Dual Packages

The use of MFWD duals will increase traction and flotation while reducing soil compaction. These duals can be set for tillage work or some limited row crop settings. Please refer to the following pages for tread setting positions and configurations for the inner wheel, dual wheel and the extension length required. These dual wheel packages include 2 wheels, 2 extensions and all attaching hardware.

Case-IH

Models	MFD Axle Specifications	Tire Size to be Used	Wheel Size	Hub Extension Length	Dual Package Stock Number
MX210*, MX215*, MX230*, MX240, MX245*, MX255, MX270, MX275, MX285, MX305, MX335, Magnum 215*/ 225* / 235* / 245*/ 260 / 275/ 290 / 305/ 315 / 335 /340 (*This tractor model was made with a 10 hole and 12 hole front hub. Please verify number of holes with customer before ordering MFWD dual packages.)	12 holes (.8430) equally spaced on 16.7320 bolt circle with 14.6250 pilot and 74.25" hub/hub	14.9R28, 420/70R28, 420/85R28	13 x 28	15.5"	See Configurator
		16.9R28, 18.4R28, 480/70R28	15 x 28	15.5"	
		600/65R28	18 x 28	15.5"	
				21.5"	
		14.9R30, 380/85R30, 420/90R30	13 x 30	15.5"	
		16.9R30, 480/70R30	15 x 30	15.5"	
				21.5"	
		290/95R34, 320/85R34	10 x 34	15.5"	
		14.9R34, 380/85R34, 420/85R34	13 x 34	15.5"	
				21.5"	
		480/70R34	15 x 34	15.5"	
		320/85R38	10 x 38	15.5"	
21.5"					
14.9R38, 380/80R38	12 x 38	15.5"			
		21.5"			
MXM155, MXM175, MXM190, PUMA 115, 125, 140, 155, 165, 170, 180, 185, 195, 200, 210, 215, 225	8 holes (.6870) equally spaced on 15.9440 bolt circle with 14.2710 pilot and 74.80" hub/hub	14.9R28, 420/70R28, 420/85R28	13 x 28	15.5"	
		16.9R28, 18.4R28, 480/70R28	15 x 28		
		14.9R30, 380/85R30, 420/90R30	13 x 30		
		16.9R30, 480/70R30	15 x 30		
		14.9R34, 380/85R34, 420/85R34	13 x 34		
		320/85R38	10 x 38		

MFWD Dual Packages

The use of MFWD duals will increase traction and flotation while reducing soil compaction. These duals can be set for tillage work or some limited row crop settings. Please refer to the following pages for tread setting positions and configurations for the inner wheel, dual wheel and the extension length required. These dual wheel packages include 2 wheels, 2 extensions and all attaching hardware.

Fendt

Models	MFD Axle Specifications	Tire Size to be Used	Wheel Size	Hub Extension Length	Dual Package Stock Number
900 Series (Grey Wheels)	12 holes (.9370) equally spaced on 16.7320 bolt circle with 14.6250 pilot and 74.50" hub/hub	14.9R34, 380/85R34, 420/85R34	13 x 34	15.5" 22"	See Configurator
		18.4R34, 480/70R34 (WFP wheel used as dual)	15 x 34	15.5" 22"	
		14.9R38, 380/80R38 (WFP wheel used as dual)	12 x 38	15.5" 22"	
900 Series (Red Wheels)	12 holes (.9370) equally spaced on 16.7320 bolt circle with 14.6250 pilot and 74.50" hub/hub	600/70R30, 620/75R30, 650/75R30	20 x 30	22"	
		290/95R34, 320/85R34	10 x 34	15.5" 22"	
		14.9R34, 380/85R34, 420/85R34	13 x 34	15.5" 22"	
		480/70R34	15 x 34	15.5" 22"	
		320/85R38	10 x 38	15.5" 22"	
		14.9R38, 380/80R38	12 x 38	15.5" 22"	
		320/80R42, 320/90R42	10 x 42	15.5" 22"	

MFWD Dual Packages

The use of MFWD duals will increase traction and flotation while reducing soil compaction. These duals can be set for tillage work or some limited row crop settings. Please refer to the following pages for tread setting positions and configurations for the inner wheel, dual wheel and the extension length required. These dual wheel packages include 2 wheels, 2 extensions and all attaching hardware.

Typical extension lengths: (Many combinations available, check tread setting chart for exact settings)	15.5" extension = 20" or 30" rows
	21.5" extension = 22" rows
	31.63" extension = 36 or 38" rows
	36" extension = 40" rows

John Deere

Models	MFD Axle Specifications	Tire Size to be Used	Wheel Size	Hub Extension Length	Dual Package Stock Number
7000 & 7010, 7130, 7230, 7330*, 7430*, 7530*, 7630*, 7720*, 7820*, 7200R*, 7215R* (*This tractor model was made with a 10 hole and 12 hole front hub. Please verify number of holes with customer before ordering MFWD dual packages.)	10 holes (.8430) equally spaced on 13.1870 bolt circle with 11.0600 pilot and 74.0" hub/hub	14.9R28, 420/70R28, 420/85R28	13 x 28	15.5"	See Configurator
		16.9R28, 18.4R28, 480/70R28	15 x 28	15.5"	
		600/65R28	18 x 28	21.5"	
		14.9R30, 380/85R30, 420/90R30	13 x 30	15.5"	
		16.9R30, 420/90R30, 480/70R30	15 x 30	15.5"	
		290/95R34, 320/85R34	10 x 34	15.5"	
		14.9R34, 380/85R34, 420/85R34	13 x 34	15.5"	
		480/70R34	15 x 34	15.5"	
		320/85R38	10 x 38	15.5"	
				21.5"	
		14.9R38, 380/80R38	12 x 38	15.5"	
				21.5"	

MFWD Dual Packages

The use of MFWD duals will increase traction and flotation while reducing soil compaction. These duals can be set for tillage work or some limited row crop settings. Please refer to the following pages for tread setting positions and configurations for the inner wheel, dual wheel and the extension length required. These dual wheel packages include 2 wheels, 2 extensions and all attaching hardware.

Typical extension lengths: (Many combinations available, check tread setting chart for exact settings)	15.5" extension = 20" or 30" rows
	21.5" extension = 22" rows
	31.63" extension = 36 or 38" rows
	36" extension = 40" rows

John Deere

Models	MFD Axle Specifications	Tire Size to be Used	Wheel Size	Hub Extension Length	Dual Package Stock Number		
7330*, 7430*, 7530*, 7630*, 7720*, 7820*, 7830*, 7920*, 7930*, 7200R*, 7215R*, 7230R, 7260R, 7280R, 8000, 8010, 8020, 8030, 8225R, 8235R, 8245R, 8260R, 8270R, 8285R, 8295R, 8310R, 8320R, 8335R, 8345R, 8360R Series (*This tractor model was made with a 10 hole and 12 hole front hub. Please verify number of holes with customer before ordering MFWD dual packages.)	12 holes (.8430) equally spaced on 16.7320 bolt circle with 14.6250 pilot and 74.25" hub/hub	14.9R28, 420/70R28, 420/85R28	13 x 28	15.5"	See Configurator		
		16.9R28, 18.4R28, 480/70R28	15 x 28	15.5"			
		600/65R28	18 x 28	21.5"		14.9R30, 380/85R30, 420/90R30	15.5"
				21.5"			
				31.63"			
				36"			
				16.9R30, 480/70R30		15 x 30	15.5"
				290/95R34, 320/85R34		10 x 34	15.5"
							21.5"
							31.63"
				14.9R34, 380/85R34, 420/85R34		13 x 34	36"
							15.5"
							21.5"
				480/70R34		15 x 34	31.63"
							36"
							15.5"
				320/85R38		10 x 38	21.5"
							31.63"
							36"
				14.9R38, 380/80R38		12 x 38	15.5"
		21.5"					
		31.63"					
		290/90R42, 12.4-42, 320/80R42, 320/90R42	10 x 42	36"			
				15.5"			
				21.5"			
				31.63"			
				36"			

MFWD Dual Packages

The use of MFWD duals will increase traction and flotation while reducing soil compaction. These duals can be set for tillage work or some limited row crop settings. Please refer to the following pages for tread setting positions and configurations for the inner wheel, dual wheel and the extension length required. These dual wheel packages include 2 wheels, 2 extensions and all attaching hardware.

New Holland

Models	MFD Axle Specifications	Tire Size to be Used	Wheel Size	Hub Extension Length	Dual Package Stock Number
T8010*, T8020*, T8275*, T8300*, TG210, TG215*, TG230, TG245* (*This tractor model was made with a 10 hole and 12 hole front hub. Please verify number of holes with customer before ordering MFWD dual packages.)	10 holes (.8430) equally spaced on 13.1870 bolt circle with 11.0600 pilot and 74.25" hub/hub	14.9R28, 420/70R28, 420/85R28	13 x 28	15.5"	See Configurator
		16.9R28, 18.4R28, 480/70R28	15 x 28	15.5"	
		600/65R28	18 x 28	15.5"	
				21.5"	
		14.9R30, 380/85R30, 420/90R30	13 x 30	15.5"	
		16.9R30, 480/70R30	15 x 30	15.5"	
				21.5"	
		290/95R34, 320/85R34	10 x 34	15.5"	
				21.5"	
		14.9R34, 380/85R34, 420/85R34	13 x 34	15.5"	
21.5"					
480/70R34	15 x 34	15.5"			
320/85R38	10 x 38	15.5"			
		21.5"			
14.9R38, 380/80R38	12 x 38	15.5"			
		21.5"			
T8010*, T8020*, T8030, T8040, T8050, T8275*, T8300*, T8330, T8360, T8390, TG215*, TG245*, TG255, TG275, TG285, TG305 (*This tractor model was made with a 10 hole and 12 hole front hub. Please verify number of holes with customer before ordering MFWD dual packages.)	12 holes (.8430) equally spaced on 16.7320 bolt circle with 14.6250 pilot and 74.25" hub/hub	14.9R28, 420/70R28, 420/85R28	13 x 28	15.5"	
		16.9R28, 18.4R28, 480/70R28	15 x 28	15.5"	
		600/65R28	18 x 28	15.5"	
				21.5"	
		14.9R30, 380/85R30, 420/90R30	13 x 30	15.5"	
		16.9R30, 480/70R30	15 x 30	15.5"	
				21.5"	
		290/95R34, 320/85R34	10 x 34	15.5"	
				21.5"	
		14.9R34, 380/85R34, 420/85R34	13 x 34	15.5"	
21.5"					
480/70R34	15 x 34	15.5"			
320/85R38	10 x 38	15.5"			
		21.5"			
14.9R38, 380/80R38	12 x 38	15.5"			
		21.5"			
T7030, T7040, T7050, T7060, T7.170, T7.185, T7.200, T7.210, T7.235, T7.250, T7.260, T7.270, TM155, TM175, TM190 MFWD Front	8 holes (.6870) equally spaced on 15.9440 bolt circle with 14.2710 pilot and 74.80" hub/hub	14.9R28, 420/70R28, 420/85R28	13 x 28	15.5"	
		16.9R28, 18.4R28, 480/70R28	15 x 28		
		14.9R30, 380/85R30, 420/90R30	13 x 30		
		16.9R30, 480/70R30	15 x 30		
		14.9R34, 380/85R34, 420/85R34	13 x 34		
		320/85R38	10 x 38		

MFWD Dual Packages

The use of MFWD duals will increase traction and flotation while reducing soil compaction. These duals can be set for tillage work or some limited row crop settings. Please refer to the following pages for tread setting positions and configurations for the inner wheel, dual wheel and the extension length required. These dual wheel packages include 2 wheels, 2 extensions and all attaching hardware.

New Holland

Models	MFD Axle Specifications	Tire Size to be Used	Wheel Size	Hub Extension Length	Dual Package Stock Number
70 (Genesis) Series	10 holes (.843Ø) equally spaced on 13.187Ø bolt circle with 11.060Ø pilot and 74.25" hub/hub	14.9R28, 420/70R28, 420/85R28	13 x 28	15.5"	See Configurator
		16.9R28, 18.4R28, 480/70R28	15 x 28	15.5"	
		600/65R28	18 x 28	15.5"	
				21.5"	
		14.9R30, 380/85R30, 420/90R30	13 x 30	15.5"	
				21.5"	
		16.9R30, 480/70R30	15 x 30	15.5"	
		290/95R34, 320/85R34	10 x 34	15.5"	
				21.5"	
		14.9R34, 380/85R34	13 x 34	15.5"	
				21.5"	
		480/70R34	15 x 34	15.5"	
320/85R38	10 x 38	15.5"			
		21.5"			
14.9R38, 380/80R38	12 x 38	15.5"			
		21.5"			
70A (Genesis) Series	12 holes (.937Ø) equally spaced on 16.732Ø bolt circle with 14.625Ø pilot and 74.25" hub/hub	14.9R28, 420/70R28, 420/85R28	13 x 28	15.5"	
		16.9R28, 18.4R28, 480/70R28	15 x 28	15.5"	
		600/65R28	18 x 28	15.5"	
				22"	
		14.9R30, 380/85R30, 420/90R30	13 x 30	15.5"	
				22"	
		16.9R30, 480/70R30	15 x 30	15.5"	
		290/95R34, 320/85R34	10 x 34	15.5"	
				22"	
		14.9R34, 380/85R34	13 x 34	15.5"	
				22"	
		480/70R34	15 x 34	15.5"	
320/85R38	10 x 38	15.5"			
		22"			
14.9R38, 380/80R38	12 x 38	15.5"			
		22"			

MFWD Dual Wheel Installation

For Case-IH Models = 8900 Series and MX Magnum Series.

For John Deere Models = 7000, 7010, 7020, 8000, 8010 and 8020 Series.

For New Holland = 10-Hole 70 Series (Genesis) and TG Series (10 & 12 Hole).

Tread Positions - MFWD Duals

The use of MFWD duals will increase traction and flotation while reducing soil compaction. Duals can be set for tillage work or some limited row crop settings. Use the following procedure to install MFWD duals as directed.

There are eight inner wheel settings (four shown) and eight dual wheel settings possible. Find the tire size in configuration chart on the next three pages and choose the combination desired.

Configure inner wheel as required (in Operator's Manual) and assemble to axle hub using 1 hub to disc fastener for both 10 and 12 hole fronts. Assemble spacer to axle hub with large hole over the existing fastener. Install remaining fasteners while centering spacer and torque fasteners as specified.

Configure dual wheels as required (see MFWD - Dual Configuration Chart). Assemble outer dual to spacer using bolts. Center dual wheel on spacer and torque bolts as specified.

NOTE: Both inner and outer bolt patterns of disc have one tight fit hole and one slot fit hole 180° from each other. Install bolt in tight fit hole and hand tighten bolt. Install bolt in slot fit hole and hand tighten bolt. Install and hand tighten remaining wheel bolts.

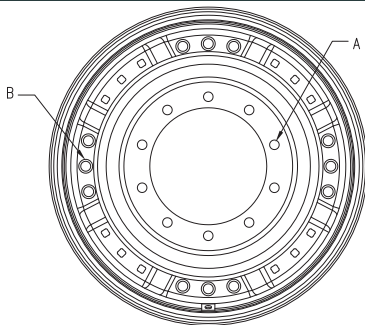
IMPORTANT

- Adjust steering stops, oscillation stops and fenders as required.

Front Wheel Mounting Torques - MFWD Dual

Bolt Torque Check after the first 30 minutes of field use, every 10 hours until torques stabilize, and every 300 hours thereafter.

The front wheel bolt hardware must be correctly torqued when the unit has been serviced or after wheel tread spacing has been adjusted. Tighten hardware in an alternating pattern.



A. Disc and Spacer to Front Axle Hub.

Case-IH 285 - 315 lb.-ft. (385 - 425 N·m)

John Deere 445 lb.-ft. (600 N·m)

New Holland 250 lb.-ft. (340 N·m) (70 Series)

New Holland 285 - 315 lb.-ft. (385 - 425 N·m) (TG Series)

Dual Wheel to Spacer 445 lb.-ft. (600 N·m)

B. Disc to Rim Nuts.

220 - 270 lb.-ft. (300 - 360 N·m)

For Case-IH and New Holland Tractors:

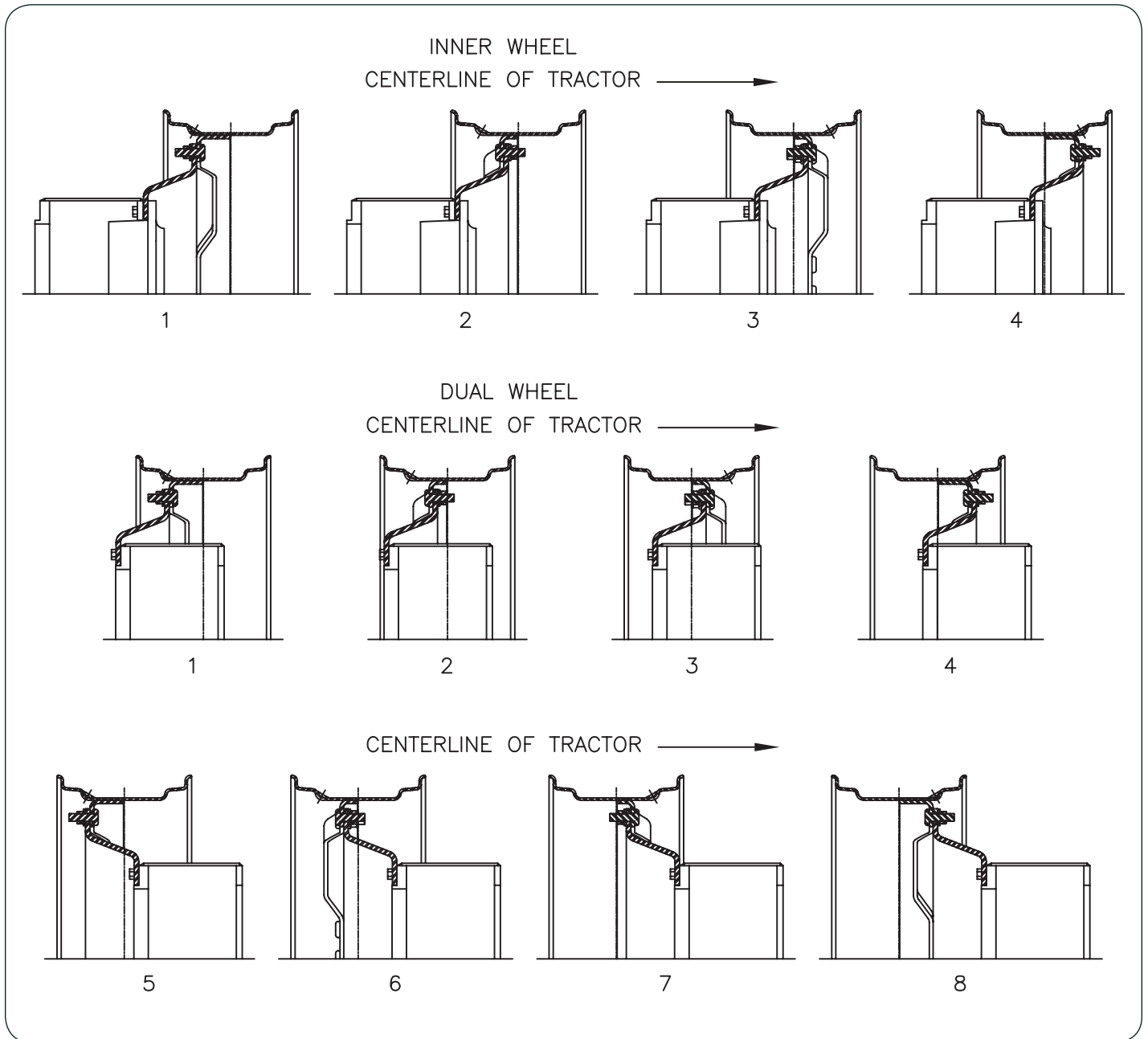
Replace the Drive-In studs in the tractor with the Drive-In studs provided in the package. Reinstall inner wheel to front hub using nut and washer provided in the package. Use the OE nuts and washers on the remaining studs to attach the spacer to the front hub. Attach the dual wheel to the spacer by using the hardware provided in the wheel end of the spacer.

For John Deere Tractors:

Use bolts and washers from the spacer to attach the inner wheel and spacer to the front hub, then use the bolts and washers removed from the tractor to attach the dual wheel to the spacer.

MFWD Dual Configuration Chart

Wheel Positions



MFWD Dual Configuration Chart

For Case-IH Models = 8900 Series and MX Magnum Series.

For John Deere Models = 7000, 7010, 7020, 8000, 8010, 8020 and 8030 Series.

For New Holland = 10-Hole 70 Series (Genesis) and TG Series (10 & 12 Hole).

Tire Size	Wheel Size	Inner Wheel		Hub Extension Length	Proximate Tread Widths Achieved by Dual Wheel in Various Positions							
		Tread Width	Position		1	2	3	4	5	6	7	8
14.9R28	13 x 28	60	1	15.5"	-	-	100.38	104.37	108.38	112.37	116.38	120.37
		64	2		-	-	-	104.37	108.38	112.37	116.38	120.37
		68	3		-	-	-	-	108.38	112.37	116.38	120.37
		72	4		-	-	-	-	-	112.37	116.38	120.37
420/70R28, 420/85R28	13 x 28	60	1	15.5"	-	-	-	104.37	108.38	112.37	116.38	120.37
		64	2		-	-	-	-	108.38	112.37	116.38	120.37
		68	3		-	-	-	-	-	112.37	116.38	120.37
		72	4		-	-	-	-	-	-	116.38	120.37
16.9R28	15 x 28	60	1	15.5"	-	-	-	104.37	108.38	112.37	116.38	120.37
		64	2		-	-	-	-	108.38	112.37	116.38	120.37
		68	3		-	-	-	-	-	112.37	116.38	120.37
		72	4		-	-	-	-	-	-	116.38	120.37
18.4R28, 480/70R28	15 x 28	60	1	15.5"	-	-	-	-	108.38	112.37	116.38	120.37
		64	2		-	-	-	-	-	112.37	116.38	120.37
		68	3		-	-	-	-	-	-	116.38	120.37
		72	4		-	-	-	-	-	-	-	120.37
600/65R28	18 x 28	60	1	15.5"	-	-	-	-	-	-	-	120.37
		64	2	21.5"	-	-	-	-	-	124.37	128.38	132.37
		68	3	21.5"	-	-	-	-	-	-	128.38	132.37
		72	4	21.5"	-	-	-	-	-	-	-	132.37
14.9R30, 380/85R30	13 x 30	60	1	15.5"	-	-	100.38	104.37	108.38	112.37	116.38	120.37
		64	2		-	-	-	104.37	108.38	112.37	116.38	120.37
		68	3		-	-	-	-	108.38	112.37	116.38	120.37
		72	4		-	-	-	-	-	-	116.38	120.37
420/90R30	13 x 30	60	1	15.5"	-	-	-	104.37	108.38	112.37	116.38	120.37
		64	2		-	-	-	-	108.38	112.37	116.38	120.37
		68	3		-	-	-	-	-	112.37	116.38	120.37
		72	4		-	-	-	-	-	-	116.38	120.37
16.9R30	15 x 30	60	1	15.5"	-	-	-	104.37	108.38	112.37	116.38	120.37
		64	2		-	-	-	-	108.38	112.37	116.38	120.37
		68	3		-	-	-	-	-	112.37	116.38	120.37
		72	4		-	-	-	-	-	-	116.38	120.37
480/70R30	15 x 30	60	1	15.5"	-	-	-	-	108.38	112.37	116.38	120.37
		64	2		-	-	-	-	108.38	112.37	116.38	120.37
		68	3		-	-	-	-	-	112.37	116.38	120.37
		72	4		-	-	-	-	-	-	116.38	120.37

MFWD Dual Configuration Chart

For Case-IH Models = 8900 Series and MX Magnum Series.

For John Deere Models = 7000, 7010, 7020, 8000, 8010, 8020 and 8030 Series.

For New Holland = 10-Hole 70 Series (Genesis) and TG Series (10 & 12 Hole).

Tire Size	Wheel Size	Inner Wheel		Hub Extension Length	Proximate Tread Widths Achieved by Dual Wheel in Various Positions							
		Tread Width	Position		1	2	3	4	5	6	7	8
290/95R34, 320/85R34	10 x 34	60	1	15.5"	-	96.37	100.38	104.37	108.38	112.37	116.38	120.37
		64	2		-	-	100.38	104.37	108.38	112.37	116.38	120.37
		68	3		-	-	-	104.37	108.38	112.37	116.38	120.37
		72	4		-	-	-	-	108.38	112.37	116.38	120.37
14.9R34, 380/85R34, 420/85R34	13 x 34	60	1	15.5"	-	-	100.38	104.37	108.38	112.37	116.38	120.37
		64	2		-	-	-	104.37	108.38	112.37	116.38	120.37
		68	3		-	-	-	-	108.38	112.37	116.38	120.37
		72	4		-	-	-	-	-	112.37	116.38	120.37
480/70R34	15 x 34	60	1	15.5"	-	-	-	-	108.38	112.37	116.38	120.37
		64	2		-	-	-	-	-	112.37	116.38	120.37
		68	3		-	-	-	-	-	-	116.38	120.37
		72	4		-	-	-	-	-	-	-	120.37
320/85R38	10 x 38	60	1	15.5"	-	96.37	100.38	104.37	108.38	112.37	116.38	120.37
		64	2		-	-	100.38	104.37	108.38	112.37	116.38	120.37
		68	3		-	-	-	104.37	108.38	112.37	116.38	120.37
		72	4		-	-	-	-	108.38	112.37	116.38	120.37
14.9R38, 380/80R38	12 x 38	60	1	15.5"	-	-	100.38	104.37	108.38	112.37	116.38	120.37
		64	2		-	-	-	104.37	108.38	112.37	116.38	120.37
		68	3		-	-	-	-	108.38	112.37	116.38	120.37
		72	4		-	-	-	-	-	112.37	116.38	120.37
290/90R42, 12.4-42, 320/80R42, 320/90R42	10 x 42	60	1	15.5"	-	-	-	104.37	-	112.37	116.38	120.37
		64	2		-	-	-	104.37	-	112.37	116.38	120.37
		68	3		-	-	-	-	-	112.37	116.38	120.37
		72	4		-	-	-	-	-	-	112.37	116.38

MFWD Dual Configuration Chart

For Case-IH Models = 8900 Series and MX Magnum Series.

For John Deere Models = 7000, 7010, 7020, 8000, 8010, and 8020 Series.

For New Holland = 10-Hole 70 Series (Genesis) and TG Series (10 & 12 Hole).

Tire Size	Wheel Size	Inner Wheel		Hub Extension Length	Proximate Tread Widths Achieved by Dual Wheel in Various Positions							
		Tread Width	Position		1	2	3	4	5	6	7	8
14.9R30, 380/85R30	13 x 30	60	1	21.5"	104.38	108.4	112.38	116.4	120.4	124.37	128.38	132.37
		64	2		104.38	108.4	112.38	116.4	120.4	124.37	128.38	132.37
		68	3		-	108.4	112.38	116.4	120.4	124.37	128.38	132.37
		72	4		-	-	112.38	116.4	120.4	124.37	128.38	132.37
290/95R34, 320/85R34	10 x 34	60	1	21.5"	104.38	108.4	112.38	116.4	120.4	124.37	128.38	132.37
		64	2		104.38	108.4	112.38	116.4	120.4	124.37	128.38	132.37
		68	3		104.38	108.4	112.38	116.4	120.4	124.37	128.38	132.37
		72	4		-	108.4	112.38	116.4	120.4	124.37	128.38	132.37
14.9R34, 380/85R34	13 x 34	60	1	21.5"	104.38	108.4	112.38	116.4	120.4	124.37	128.38	132.37
		64	2		104.38	108.4	112.38	116.4	120.4	124.37	128.38	132.37
		68	3		-	108.4	112.38	116.4	120.4	124.37	128.38	132.37
		72	4		-	-	112.38	116.4	120.4	124.37	128.38	132.37
480/70R34	15 x 34	60	1	21.5"	104.38	108.4	112.38	116.4	120.4	124.37	128.38	132.37
		64	2		104.38	108.4	112.38	116.4	120.4	124.37	128.38	132.37
		68	3		-	108.4	112.38	116.4	120.4	124.37	128.38	132.37
		72	4		-	-	112.38	116.4	120.4	124.37	128.38	132.37
320/85R38	10 x 38	60	1	21.5"	104.38	108.4	112.38	116.4	120.4	124.37	128.38	132.37
		64	2		104.38	108.4	112.38	116.4	120.4	124.37	128.38	132.37
		68	3		104.38	108.4	112.38	116.4	120.4	124.37	128.38	132.37
		72	4		-	108.4	112.38	116.4	120.4	124.37	128.38	132.37
14.9R38, 380/80R38	12 x 38	60	1	21.5"	104.38	108.4	112.38	116.4	120.4	124.37	128.38	132.37
		64	2		104.38	108.4	112.38	116.4	120.4	124.37	128.38	132.37
		68	3		-	108.4	112.38	116.4	120.4	124.37	128.38	132.37
		72	4		-	-	112.38	116.4	120.4	124.37	128.38	132.37
290/90R42, 12.4-42, 320/80R42, 320/90R42	10 x 42	60	1	21.5"	104.38	108.4	112.38	116.4	120.4	124.37	128.38	132.37
		64	2		104.38	108.4	112.38	116.4	120.4	124.37	128.38	132.37
		68	3		-	108.4	112.38	116.4	120.4	124.37	128.38	132.37
		72	4		-	-	112.38	116.4	120.4	124.37	128.38	132.37

MFWD Dual Configuration Chart

For Case-IH Models = 8900 Series and MX Magnum Series.

For John Deere Models = 7000, 7010, 7020, 8000, 8010, and 8020 Series.

For New Holland = 10-Hole 70 Series (Genesis) and TG Series (10 & 12 Hole).

Tire Size	Wheel Size	Inner Wheel		Hub Extension Length	Proximate Tread Widths Achieved by Dual Wheel in Various Positions							
		Tread Width	Position		1	2	3	4	5	6	7	8
14.9R30, 380/85R30	13 x 30	72	4	31.63"	124.64	128.6	132.64	136.6	140.6	144.63	148.64	152.63
		76	5		124.64	128.6	132.64	136.6	140.6	144.63	148.64	152.63
		76	5	36"	132.64	136.6	140.64	144.6	148.6	152.63	156.64	160.63
		80	6		132.64	136.6	140.64	144.6	148.6	152.63	156.64	160.63
290/95R34, 320/85R34	10 x 34	72	4	31.63"	124.64	128.6	132.64	136.6	140.6	144.63	148.64	152.63
		76	5		124.64	128.6	132.64	136.6	140.6	144.63	148.64	152.63
		76	5	36"	132.64	136.6	140.64	144.6	148.6	152.63	156.64	160.63
		80	6		132.64	136.6	140.64	144.6	148.6	152.63	156.64	160.63
14.9R34, 380/85R34	13 x 34	72	4	31.63"	124.64	128.6	132.64	136.6	140.6	144.63	148.64	152.63
		76	5		124.64	128.6	132.64	136.6	140.6	144.63	148.64	152.63
		76	5	36"	132.64	136.6	140.64	144.6	148.6	152.63	156.64	160.63
		80	6		132.64	136.6	140.64	144.6	148.6	152.63	156.64	160.63
480/70R34	15 x 34	72	4	31.63"	124.64	128.6	132.64	136.6	140.6	144.63	148.64	152.63
		76	5		124.64	128.6	132.64	136.6	140.6	144.63	148.64	152.63
		76	5	36"	132.64	136.6	140.64	144.6	148.6	152.63	156.64	160.63
		80	6		132.64	136.6	140.64	144.6	148.6	152.63	156.64	160.63
320/85R38	10 x 38	72	4	31.63"	124.64	128.6	132.64	136.6	140.6	144.63	148.64	152.63
		76	5		124.64	128.6	132.64	136.6	140.6	144.63	148.64	152.63
		76	5	36"	132.64	136.6	140.64	144.6	148.6	152.63	156.64	160.63
		80	6		132.64	136.6	140.64	144.6	148.6	152.63	156.64	160.63
14.9R38, 380/80R38	12 x 38	72	4	31.63"	124.64	128.6	132.64	136.6	140.6	144.63	148.64	152.63
		76	5		124.64	128.6	132.64	136.6	140.6	144.63	148.64	152.63
		76	5	36"	132.64	136.6	140.64	144.6	148.6	152.63	156.64	160.63
		80	6		132.64	136.6	140.64	144.6	148.6	152.63	156.64	160.63
290/90R42, 12.4-42, 320/80R42, 320/90R42	10 x 42	72	4	31.63"	124.64	128.6	132.64	136.6	140.6	144.63	148.64	152.63
		76	5		124.64	128.6	132.64	136.6	140.6	144.63	148.64	152.63
		76	5	36"	132.64	136.6	140.64	144.6	148.6	152.63	156.64	160.63
		80	6		132.64	136.6	140.64	144.6	148.6	152.63	156.64	160.63

MFWD Dual Wheel Installation

For AGCO Models = DT200, DT225, DT220A and DT240A.

For Challenger Models = MT655 and MT665.

For Fendt Models = 900 Series.

For Massey Ferguson Models = 8270, 8280, 8470 and 8480.

For New Holland = 12-Hole 70A Series (Genesis).

Tread Positions - MFWD Duals

The use of MFWD duals will increase traction and flotation while reducing soil compaction. Duals can be set for tillage work or some limited row crop settings. Use the following procedure to install MFWD duals as directed.

There are eight inner wheel settings (four shown) and four dual wheel settings possible. Find the tire size in configuration chart on the next pages and choose the combination desired.

Configure inner wheel as required (in Operator's Manual) and assemble to axle hub. Do not install hardware at this time. Assemble spacer to axle hub with the holes aligned with holes in wheel. Install fasteners while centering spacer and torque fasteners as specified.

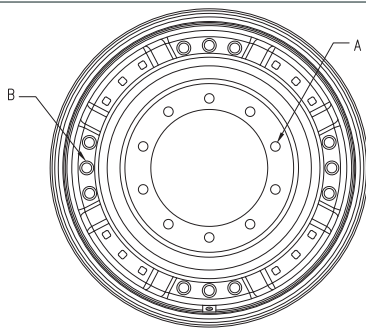
Configure dual wheels as required (see MFWD - Dual Configuration Chart). Assemble outer dual to spacer using bolts. Center dual wheel on spacer and torque bolts as specified.

NOTE: Outer bolt patterns of disc have one tight fit hole and one slot fit hole 180° from each other. Install bolt in tight fit hole and hand tighten bolt. Install bolt in slot fit hole and hand tighten bolt. Install and hand tighten remaining wheel bolts.

Front Wheel Mounting Torques - MFWD Dual

Bolt Torque Check after the first 30 minutes of field use, every 10 hours until torques stabilize, and every 300 hours thereafter.

The front wheel bolt hardware must be correctly torqued when the unit has been serviced or after wheel tread spacing has been adjusted. Tighten hardware in an alternating pattern.



- A. Disc and Spacer to Front Axle Hub.
AGCO 200 lb.-ft. (270 N·m)
Fendt 200 lb.-ft. (270 N·m)
Massey Ferguson 200 lb.-ft. (270 N·m)
New Holland 445 lb.-ft. (600 N·m)
- Dual Wheel to Spacer 445 lb.-ft. (600 N·m)
- B. Disc to Rim Nuts.
220 - 270 lb.-ft. (300 - 360 N·m)

For AGCO, Challenger, Massey Ferguson and Fendt Tractors:

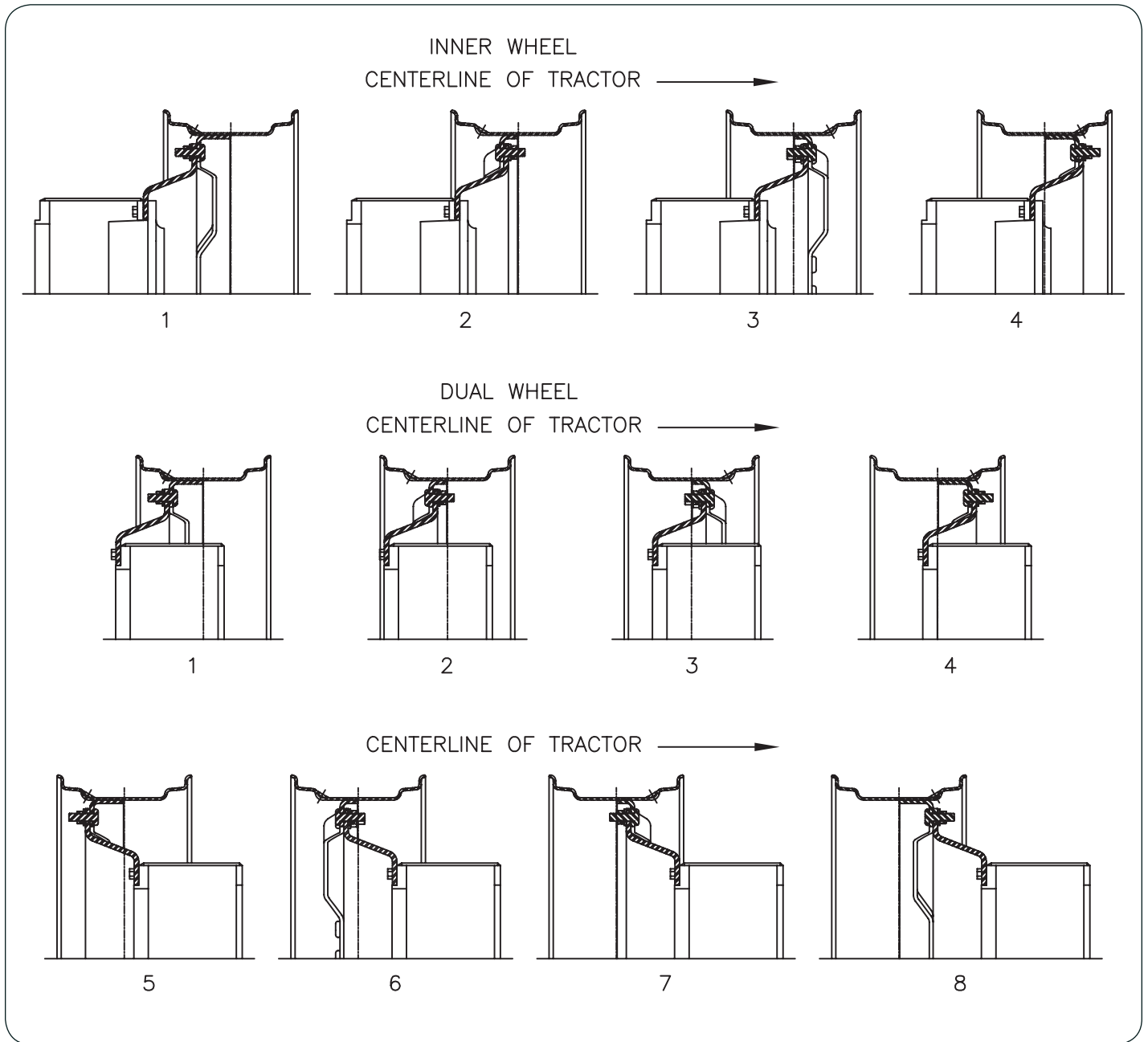
Replace the Drive-In studs in the tractor with the Drive-In studs provided in the package. Reinstall inner wheel and spacer to front hub using original nut from tractor. Attach the dual wheel to the spacer by using the hardware provided in the wheel end of the spacer.

For New Holland 70A Series Tractors:

Remove the Drive-In studs in the tractor. Reinstall inner wheel and spacer to the front hub using the bolts and washers provided in the package. Attach the dual wheel to the spacer by using the hardware provided in the wheel end of the spacer.

MFWD Dual Configuration Chart

Wheel Positions



MFWD Dual Configuration Chart

For AGCO Models = DT200, DT225, DT220A and DT240A.

For Challenger Models = MT655 and MT665.

For Fendt Models = 900 Series.

For Massey Ferguson Models = 8270, 8280, 8470 and 8480.

For New Holland = 12-Hole 70A Series (Genesis).

Tire Size	Wheel Size	Inner Wheel		Hub Extension Length	Proximate Tread Widths Achieved by Dual Wheel in Various Positions							
		Tread Width	Position		1	2	3	4	5	6	7	8
14.9R28	13 x 28	60	1	15.5"	-	-	100.38	104.37	108.38	112.37	116.38	120.37
		64	2		-	-	-	104.37	108.38	112.37	116.38	120.37
		68	3		-	-	-	-	108.38	112.37	116.38	120.37
		72	4		-	-	-	-	-	112.37	116.38	120.37
420/70R28, 420/85R28	13 x 28	60	1	15.5"	-	-	-	104.37	108.38	112.37	116.38	120.37
		64	2		-	-	-	-	108.38	112.37	116.38	120.37
		68	3		-	-	-	-	-	112.37	116.38	120.37
		72	4		-	-	-	-	-	-	116.38	120.37
16.9R28	15 x 28	60	1	15.5"	-	-	-	104.37	108.38	112.37	116.38	120.37
		64	2		-	-	-	-	108.38	112.37	116.38	120.37
		68	3		-	-	-	-	-	112.37	116.38	120.37
		72	4		-	-	-	-	-	-	116.38	120.37
18.4R28, 480/70R28	15 x 28	60	1	15.5"	-	-	-	-	108.38	112.37	116.38	120.37
		64	2		-	-	-	-	-	112.37	116.38	120.37
		68	3		-	-	-	-	-	-	116.38	120.37
		72	4		-	-	-	-	-	-	-	120.37
600/65R28	18 x 28	60	1	15.5"	-	-	-	-	-	-	-	120.37
		64	2	22"	-	-	-	-	-	125.37	129.38	133.37
		68	3	22"	-	-	-	-	-	-	129.38	133.37
		72	4	22"	-	-	-	-	-	-	-	133.37
14.9R30, 380/85R30	13 x 30	60	1	15.5"	-	-	100.38	104.37	108.38	112.37	116.38	120.37
		64	2		-	-	-	104.37	108.38	112.37	116.38	120.37
		68	3		-	-	-	-	108.38	112.37	116.38	120.37
		72	4		-	-	-	-	-	112.37	116.38	120.37
420/90R30	13 x 30	60	1	15.5"	-	-	-	104.37	108.38	112.37	116.38	120.37
		64	2		-	-	-	-	108.38	112.37	116.38	120.37
		68	3		-	-	-	-	-	112.37	116.38	120.37
		72	4		-	-	-	-	-	-	116.38	120.37
16.9R30	15 x 30	60	1	15.5"	-	-	-	104.37	108.38	112.37	116.38	120.37
		64	2		-	-	-	-	108.38	112.37	116.38	120.37
		68	3		-	-	-	-	-	112.37	116.38	120.37
		72	4		-	-	-	-	-	-	116.38	120.37
480/70R30	15 x 30	60	1	15.5"	-	-	-	-	108.38	112.37	116.38	120.37
		64	2		-	-	-	-	108.38	112.37	116.38	120.37
		68	3		-	-	-	-	-	112.37	116.38	120.37
		72	4		-	-	-	-	-	-	116.38	120.37

MFWD Dual Configuration Chart

For AGCO Models = DT200, DT225, DT220A and DT240A.

For Challenger Models = MT655 and MT665.

For Fendt Models = 900 Series.

For Massey Ferguson Models = 8270, 8280, 8470 and 8480.

For New Holland = 12-Hole 70A Series (Genesis).

Tire Size	Wheel Size	Inner Wheel		Hub Extension Length	Proximate Tread Widths Achieved by Dual Wheel in Various Positions							
		Tread Width	Position		1	2	3	4	5	6	7	8
290/95R34, 320/85R34	10 x 34	60	1	15.5"	-	96.37	100.38	104.37	108.38	112.37	116.38	120.37
		64	2		-	-	100.38	104.37	108.38	112.37	116.38	120.37
		68	3		-	-	-	104.37	108.38	112.37	116.38	120.37
		72	4		-	-	-	-	108.38	112.37	116.38	120.37
14.9R34, 380/85R34	13 x 34	60	1	15.5"	-	-	100.38	104.37	108.38	112.37	116.38	120.37
		64	2		-	-	-	104.37	108.38	112.37	116.38	120.37
		68	3		-	-	-	-	108.38	112.37	116.38	120.37
		72	4		-	-	-	-	-	112.37	116.38	120.37
480/70R34	15 x 34	60	1	15.5"	-	-	-	-	108.38	112.37	116.38	120.37
		64	2		-	-	-	-	-	112.37	116.38	120.37
		68	3		-	-	-	-	-	-	116.38	120.37
		72	4		-	-	-	-	-	-	-	120.37
320/85R38	10 x 38	60	1	15.5"	-	96.37	100.38	104.37	108.38	112.37	116.38	120.37
		64	2		-	-	100.38	104.37	108.38	112.37	116.38	120.37
		68	3		-	-	-	104.37	108.38	112.37	116.38	120.37
		72	4		-	-	-	-	108.38	112.37	116.38	120.37
14.9R38, 380/80R38	12 x 38	60	1	15.5"	-	-	100.38	104.37	108.38	112.37	116.38	120.37
		64	2		-	-	-	104.37	108.38	112.37	116.38	120.37
		68	3		-	-	-	-	108.38	112.37	116.38	120.37
		72	4		-	-	-	-	-	112.37	116.38	120.37

MFWD Dual Configuration Chart

For AGCO Models = DT200, DT225, DT220A and DT240A.

For Challenger Models = MT655 and MT665.

For Fendt Models = 900 Series.

For Massey Ferguson Models = 8270, 8280, 8470 and 8480.

For New Holland = 12-Hole 70A Series (Genesis).

Tire Size	Wheel Size	Inner Wheel		Hub Extension Length	Proximate Tread Widths Achieved by Dual Wheel in Various Positions							
		Tread Width	Position		1	2	3	4	5	6	7	8
14.9R30, 380/85R30	13 x 30	60	1	22"	105.38	109.4	113.38	117.4	121.4	125.37	129.38	133.37
		64	2		105.38	109.4	113.38	117.4	121.4	125.37	129.38	133.37
		68	3		-	109.4	113.38	117.4	121.4	125.37	129.38	133.37
		72	4		-	-	113.38	117.4	121.4	125.37	129.38	133.37
290/95R34, 320/85R34	10 x 34	60	1	22"	105.38	109.4	113.38	117.4	121.4	125.37	129.38	133.37
		64	2		105.38	109.4	113.38	117.4	121.4	125.37	129.38	133.37
		68	3		105.38	109.4	113.38	117.4	121.4	125.37	129.38	133.37
		72	4		-	109.4	113.38	117.4	121.4	125.37	129.38	133.37
14.9R34, 380/85R34	13 x 34	60	1	22"	105.38	109.4	113.38	117.4	121.4	125.37	129.38	133.37
		64	2		105.38	109.4	113.38	117.4	121.4	125.37	129.38	133.37
		68	3		-	109.4	113.38	117.4	121.4	125.37	129.38	133.37
		72	4		-	-	113.38	117.4	121.4	125.37	129.38	133.37
320/85R38	10 x 38	60	1	22"	105.38	109.4	113.38	117.4	121.4	125.37	129.38	133.37
		64	2		105.38	109.4	113.38	117.4	121.4	125.37	129.38	133.37
		68	3		105.38	109.4	113.38	117.4	121.4	125.37	129.38	133.37
		72	4		-	109.4	113.38	117.4	121.4	125.37	129.38	133.37
14.9R38, 380/80R38	12 x 38	60	1	22"	105.38	109.4	113.38	117.4	121.4	125.37	129.38	133.37
		64	2		105.38	109.4	113.38	117.4	121.4	125.37	129.38	133.37
		68	3		-	109.4	113.38	117.4	121.4	125.37	129.38	133.37
		72	4		-	-	113.38	117.4	121.4	125.37	129.38	133.37

MFWD Dual Configuration Chart

For Fendt Models = 900 Series.

Tire Size	Wheel Size	Inner Wheel Tread Width Range	Hub Extension Length	Proximate Tread Widths Achieved by Dual Wheel
18.4R34, 480/70R34	15 x 34	64 - 75	15.5"	124.5 Tread Width w/Dual Wheel Dished Out (WFP Wheel)
		64 - 88	22"	137.5 Tread Width w/Dual Wheel Dished Out (WFP Wheel)
14.9R38	12 x 38	64 - 83	15.5"	121.75 Tread Width w/Dual Wheel Dished Out (WFP Wheel)
		64 - 90	22"	134.75 Tread Width w/Dual Wheel Dished Out (WFP Wheel)

SECTION 2: Tractor Extensions - Spacers for Duals, Triples, MFWD, 2WD & 4WD

(Click on the Section you would like to navigate to)

Extensions for Unverferth Direct Axle Hubs

Extensions for OE AGCO Allis/AGCO White, AGCO, Challenger, Massey-Ferguson & Fendt

Extensions for Case-IH

Extensions for John Deere

Extensions for New Holland & Ford

MFWD Front Hub Spacers for Case IH

MFWD Front Hub Spacers for New Holland & Ford

MFWD Front Hub Spacers for White, AGCO White, AGCO Allis, AGCO Challenger & Fendt

MFWD Front Hub Spacers for Massey Ferguson

MFWD Front Hub Spacers for John Deere

Specialty Spacers for Apache Sprayers & Case-IH

Specialty Spacers for John Deere

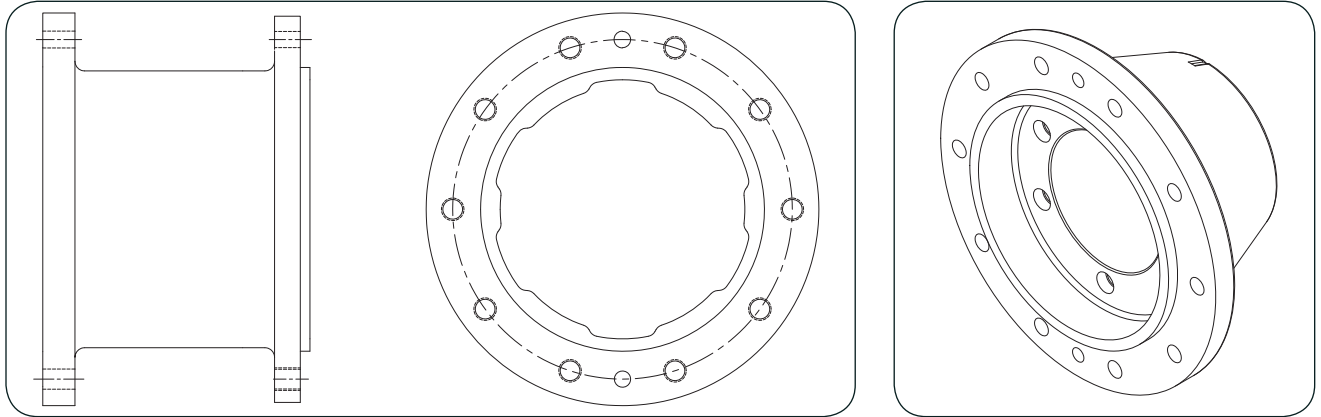
Specialty Spacers for New Holland & Ford

Specialty Spacers for Deutz Allis, JCB, Kubota, M-F, Challenger, AGCO, White & Fendt

Extension for Unverferth Direct-Axle Hubs

The following extensions that have 7/8" National Coarse threads are used with Unverferth 1000E and 91E Series Hubs.

NOTE: When used with New Holland / Ford OE-Hub, an additional hardware package (13962) is required for each extension.



10-Bolt Extension with 13 3/16" (335mm) Bolt Circle

Dual Applications

NOTE: These extensions include the appropriate hardware to bolt extensions to 7/8" N.C. threaded hubs.

Description	Approximate Weight	Stock Number
5" Long - 7/8" UNC threads with Hardware	105 lbs.	15670B 15670Y
8" Long - 7/8" UNC threads with Hardware	109 lbs.	15671B 15671Y
10" Long - 7/8" UNC threads with Hardware	95 lbs.	15672B 15672Y
13" Long - 7/8" UNC threads with Hardware	129 lbs.	15673B 15673Y
15" Long - 7/8" UNC threads with Hardware	114 lbs.	15674B 15674Y
19.5" Long - 7/8" UNC threads with Hardware	155 lbs.	15675B 15675Y
21" Long - 7/8" UNC threads with Hardware	140 lbs.	190-21-OE
24" Long - 7/8" UNC threads with Hardware	142 lbs.	190-24-OE

Triple Applications

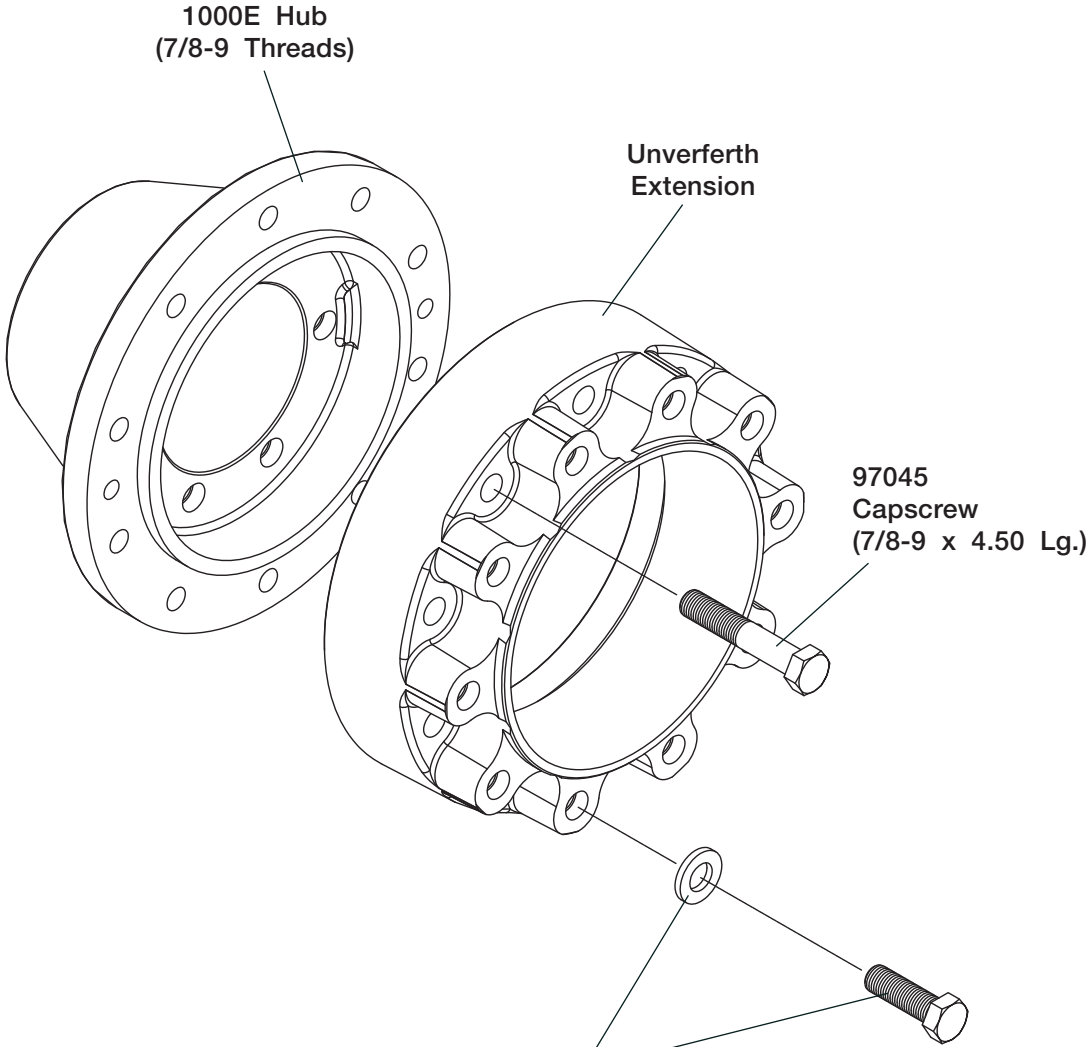
NOTE: These extensions have (2) opposing holes, 1.875" dia., which allow the extension to be mounted over the dual wheel disc, then fastened with the 8 remaining bolts through the extension and wheel disc then into the hub. The triple wheel then mounts on the opposite end of the extension. These extension include the appropriate hardware to bolt extensions to 7/8" N.C. threaded hubs.

Description	Approximate Weight	Stock Number
18" Long - 7/8" UNC threads with Hardware	126 lbs.	190-18-OET
21" Long - 7/8" UNC threads with Hardware	140 lbs.	190-21-OET
24" Long - 7/8" UNC threads with Hardware	149 lbs.	190-24-OET

Assembly of Unverferth 10-Bolt 5" Extension to Unverferth 1000E Hub with 7/8-9 Threads

Hardware Bundle #15679 for Dual Wheel Applications

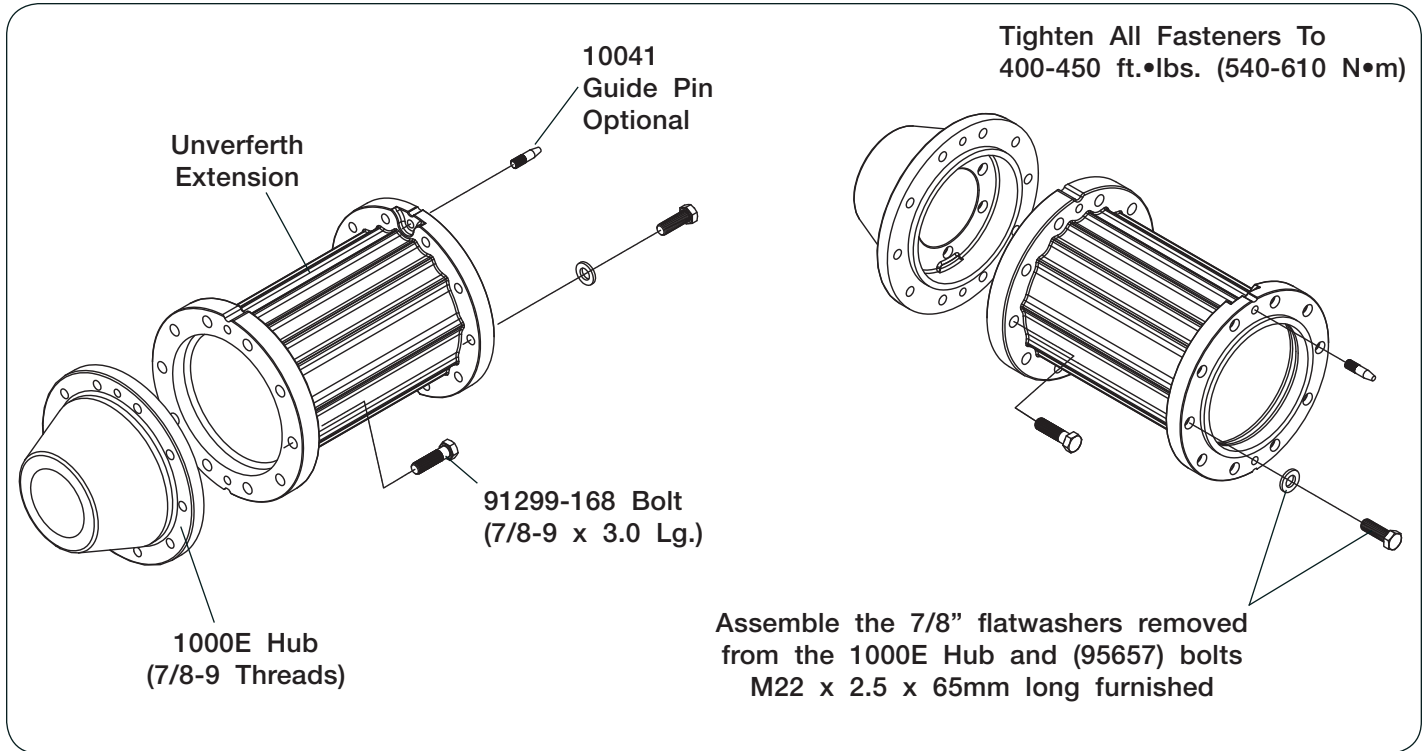
Tighten All Fasteners To
400-450 ft.•lbs. (540-610 N•m)



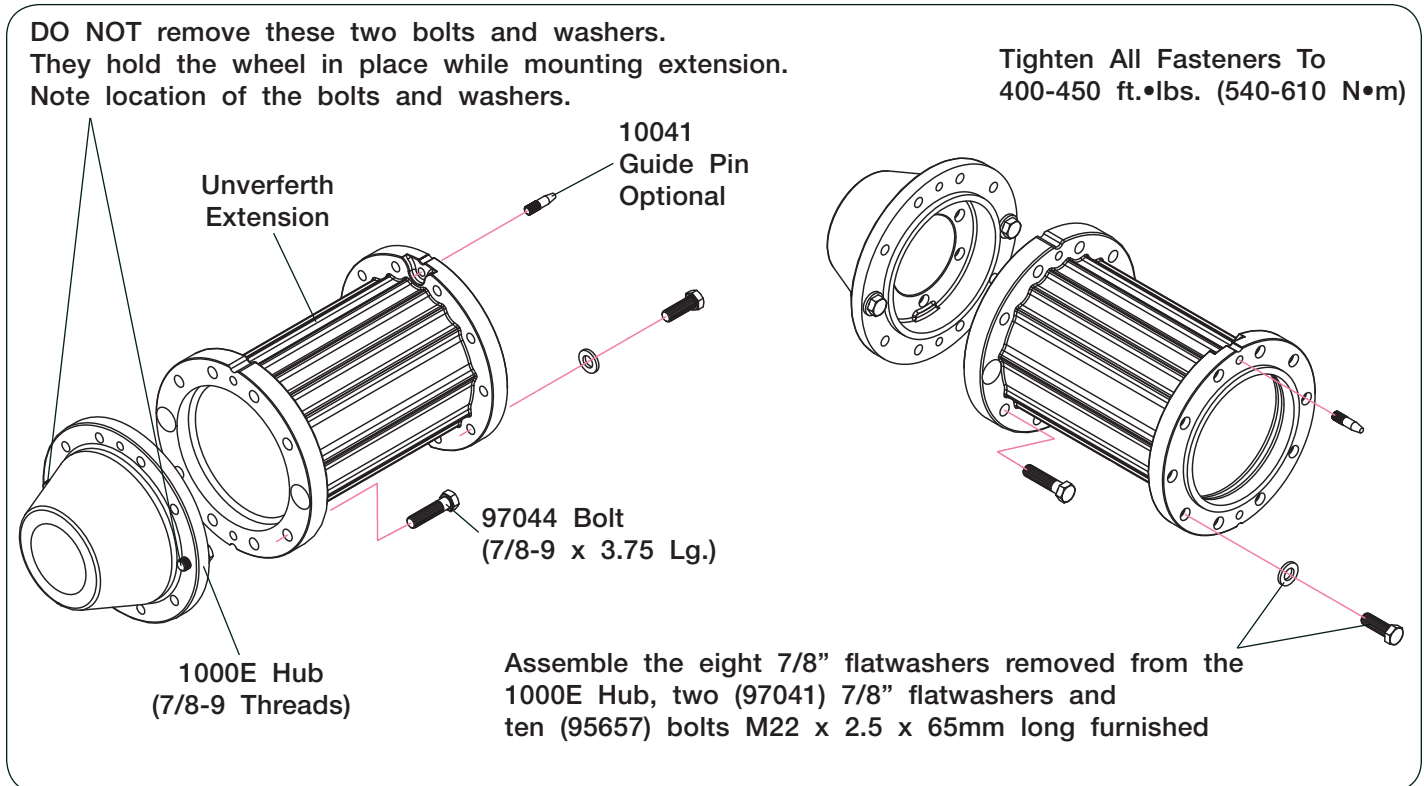
Assemble the 7/8" flatwashers removed from the 1000E Hub and (95657) bolts M22 x 2.5 x 65mm long furnished

Assembly of Unverferth 10-Bolt Hub Extensions to Unverferth 1000E Hub with 7/8-9 Threads

Hardware Bundle #15680 for Dual Wheel Applications

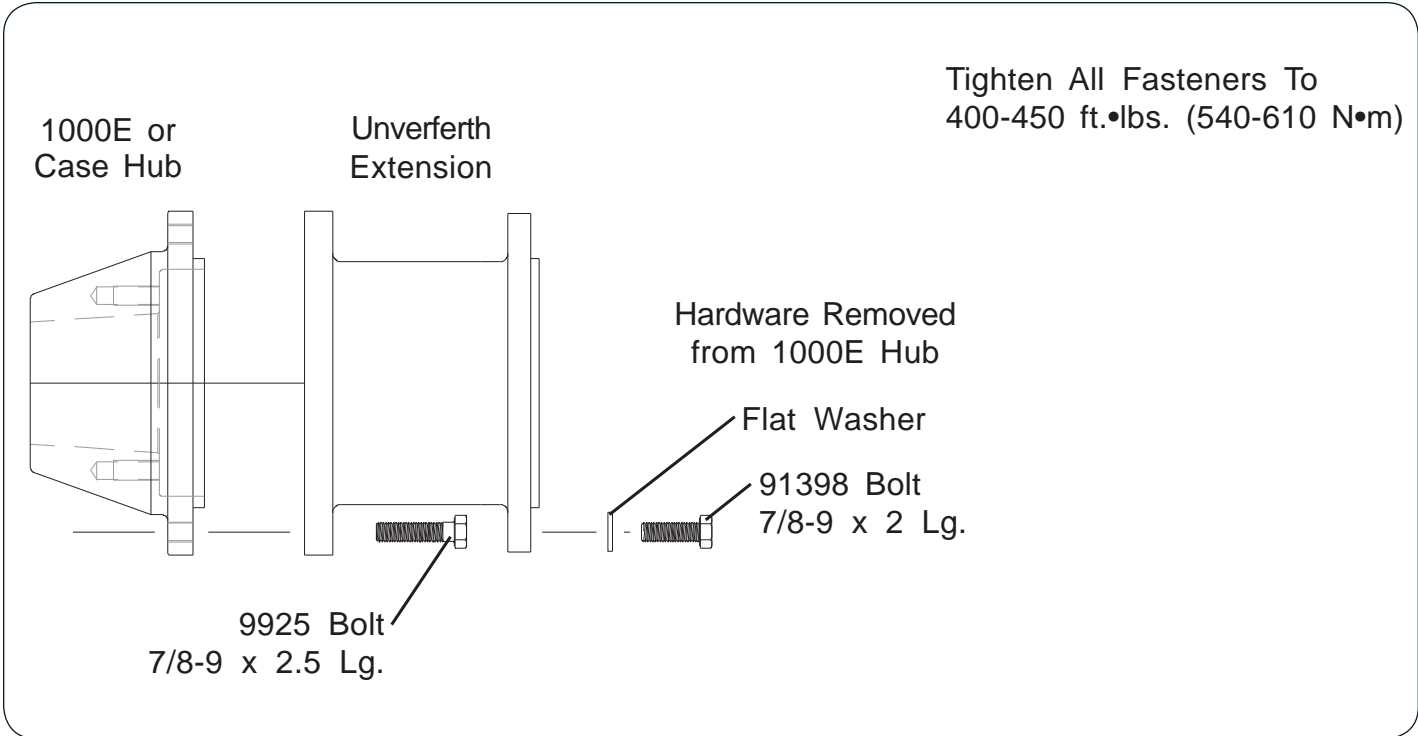


Hardware Bundle #15681 for Triple Wheel Applications

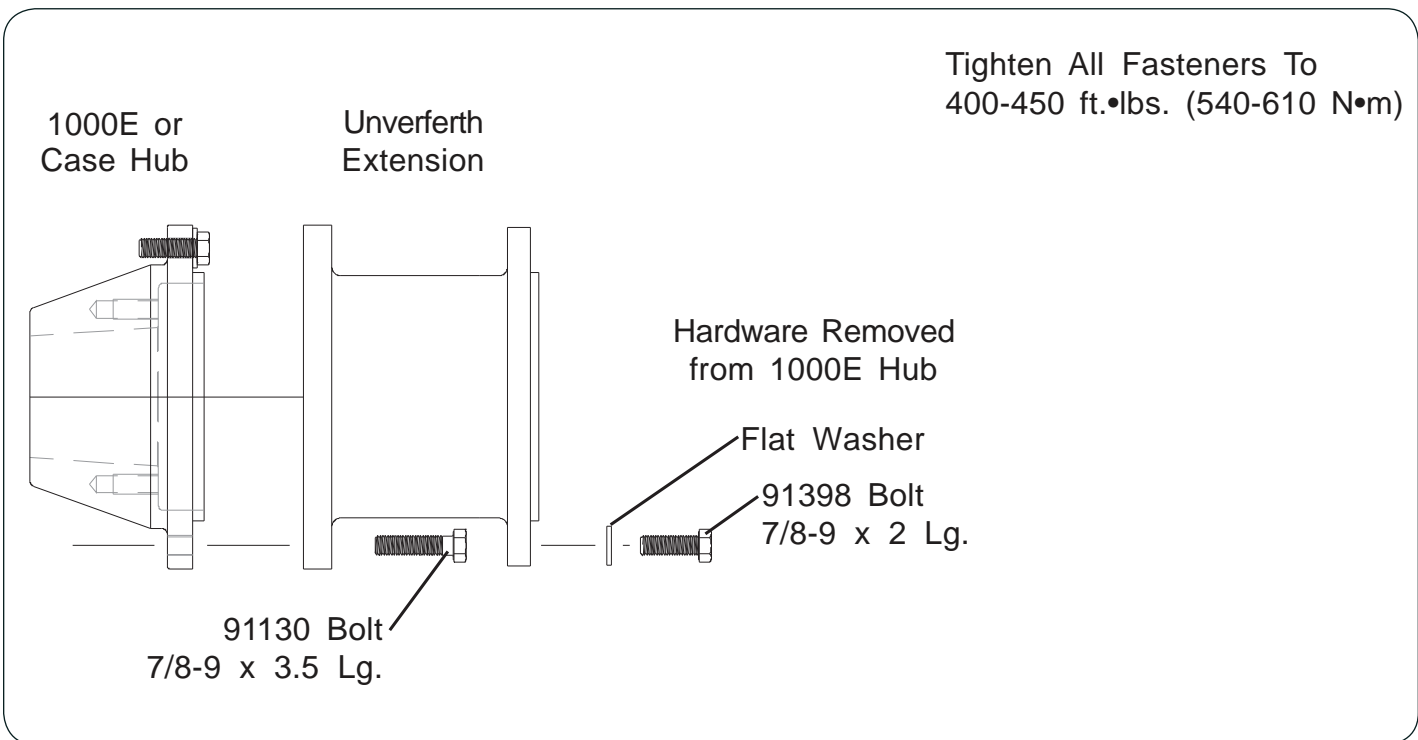


Assembly of Unverferth 10-Bolt Hub Extensions to UM 1000E & Case Hub #1968131C2 & #1334527C3

UM Dual Wheel Extensions with Hardware

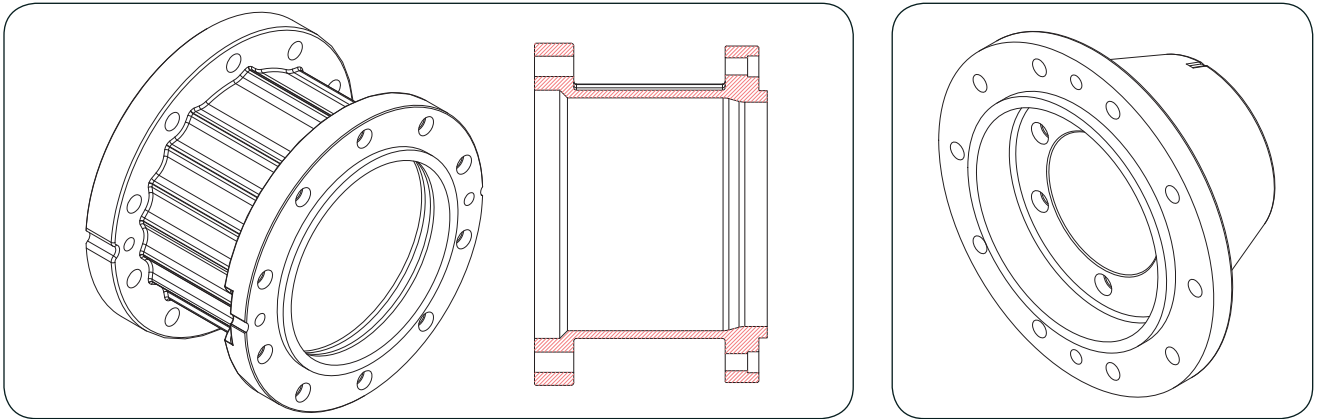


UM Triple Wheel Extensions with Hardware



Extension for Unverferth Direct-Axle Hubs

The following extensions have 22mm threads and are used with Unverferth 1000E Series Hubs.



10-Bolt Extension with 13 3/16" (335mm) Bolt Circle

Dual Applications

NOTE: These extensions include the appropriate hardware to bolt extensions to 22mm threaded hubs.

Description	Approximate Weight	Stock Number
5" Long - 22mm threads with Hardware	104 lbs.	14929B 14929Y
8" Long - 22mm threads with Hardware	107 lbs.	14748B 14748Y
10" Long - 22mm threads with Hardware	115 lbs.	14749B 14749Y
13" Long - 22mm threads with Hardware	127 lbs.	14750B 14750Y
15" Long - 22mm threads with Hardware	136 lbs.	14751B 14751Y
19.5" Long - 22mm threads with Hardware	154 lbs.	14752B 14752Y
21.5" Long - 22mm threads with Hardware	162 lbs.	17931B 17931Y
29.5" Long - 22mm threads with Hardware	173 lbs.	14921B 14921Y

Triple Applications

NOTE: These extensions have (2) opposing holes, 1.875" dia., which allow the extension to be mounted over the dual wheel disc, then fastened with the 8 remaining bolts through the extension and wheel disc then into the hub. The triple wheel then mounts on the opposite end of the extension. These extension include the appropriate hardware to bolt extensions to 22mm threaded hubs.

Description	Approximate Weight	Stock Number
19.5" Long - 22mm threads with Hardware	152 lbs.	14754B 14754Y
21.5" Long - 22mm threads with Hardware	160 lbs.	17932B 17932Y
29.5" Long - 22mm threads with Hardware	175 lbs.	17787B 17787Y

Assembly of Unverferth 10-Bolt Hub Extensions to Unverferth 1000E Metric Hub

Hardware Bundle #14706 for Dual Wheel Applications

10041 Guide Pin Optional

Unverferth Extension

1000E Metric Hub

97118 Bolt (M22 x 2.5 x 80mm Lg.)

Tighten All Fasteners To 400-450 ft. lbs. (540-610 N.m)

Assemble the 7/8" flatwashers removed from the 1000E Metric Hub and (95657) bolts M22 x 2.5 x 65mm long furnished

Hardware Bundle #14707 for Triple Wheel Applications

DO NOT remove these two bolts and washers. They hold the wheel in place while mounting extension. Note location of the bolts and washers.

10041 Guide Pin Optional

Unverferth Extension

1000E Metric Hub

97039 Bolt (M22 x 2.5 x 100mm Lg.)

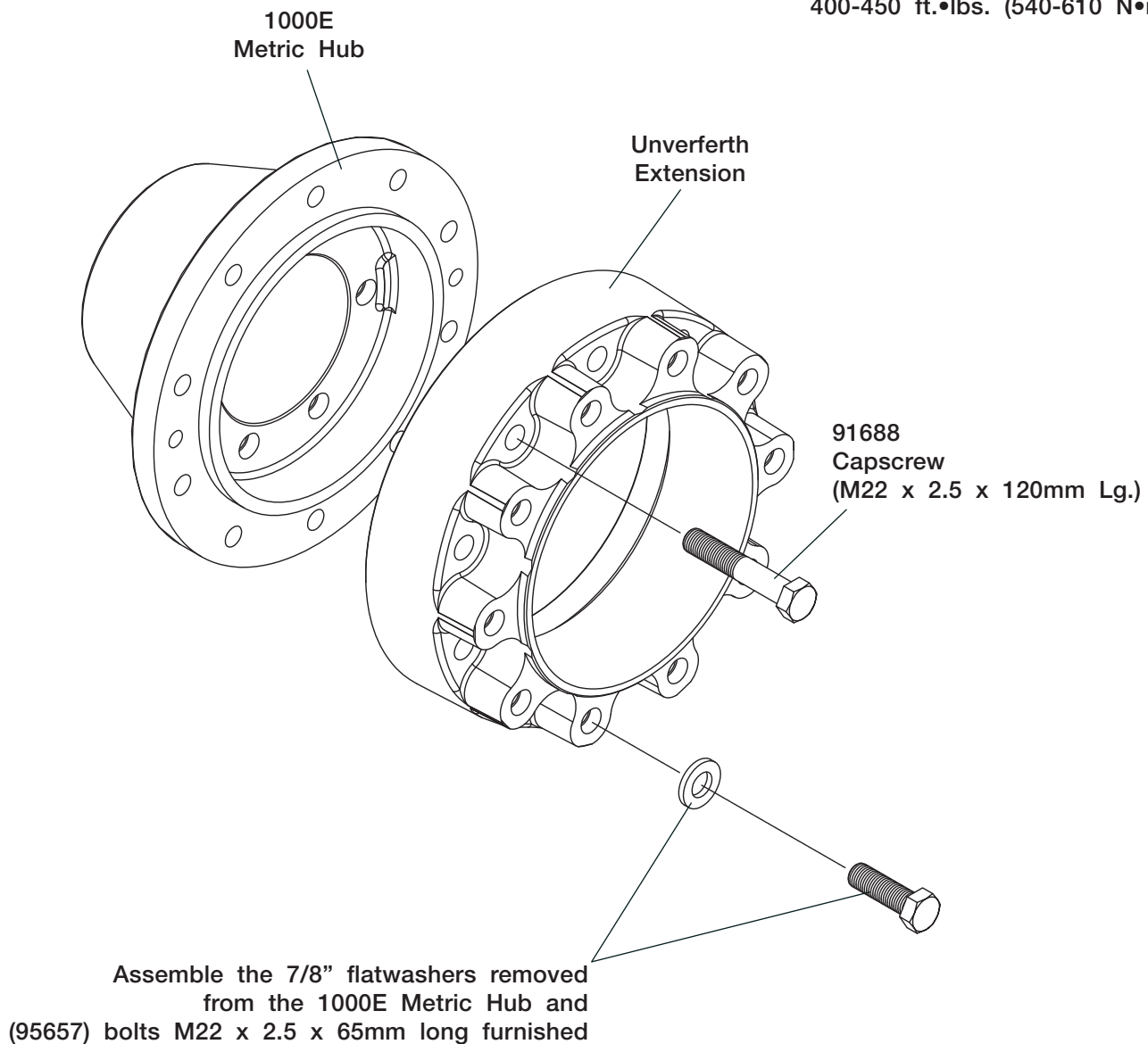
Tighten All Fasteners To 400-450 ft. lbs. (540-610 N.m)

Assemble the eight 7/8" flatwashers removed from the 1000E Metric Hub, two (97041) 7/8" flatwashers and ten (95657) bolts M22 x 2.5 x 65mm long furnished

Assembly of Unverferth 10-Bolt 5" Extension to Unverferth 1000E Metric Hub

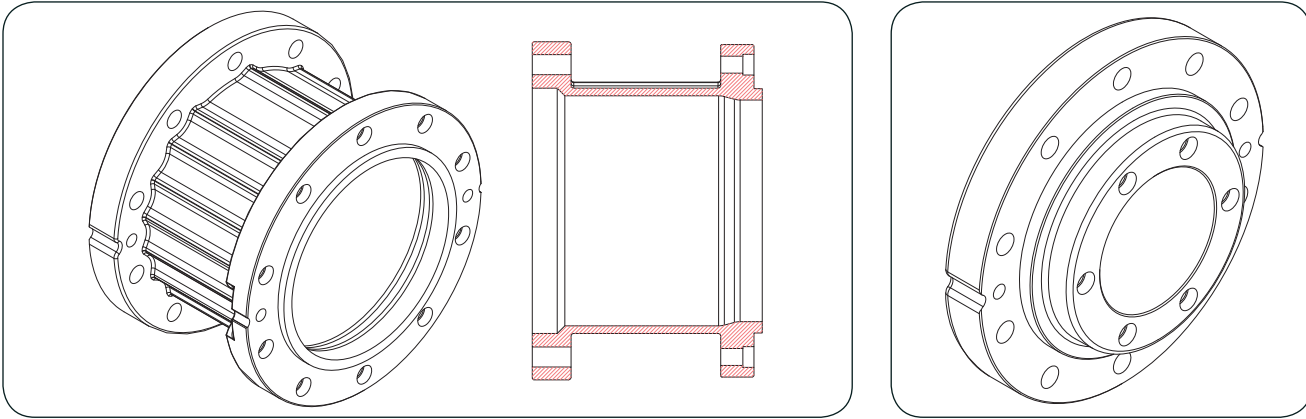
Hardware Bundle #15138 for Dual Wheel Applications

Tighten All Fasteners To
400-450 ft.•lbs. (540-610 N•m)



Extension for Unverferth Direct-Axle Hubs

The following extensions have 22mm threads and are used with Unverferth 2000E Series Hubs.



10-Bolt Extension with 13 3/16" (335mm) Bolt Circle

Dual Applications

NOTE: These extensions include the appropriate hardware to bolt extensions to 22mm threaded hubs.

Description	Approximate Weight	Stock Number
5" Long - 22mm threads with Hardware	100 lbs.	14928B 14928Y
8" Long - 22mm threads with Hardware	102 lbs.	14513B 14513Y
10" Long - 22mm threads with Hardware	110 lbs.	14514B 14514Y
13" Long - 22mm threads with Hardware	122 lbs.	14515B 14515Y
15" Long - 22mm threads with Hardware	130 lbs.	14516B 14516Y
19.5" Long - 22mm threads with Hardware	149 lbs.	14517B 14517Y
21.5" Long - 22mm threads with Hardware	157 lbs.	14518B 14518Y

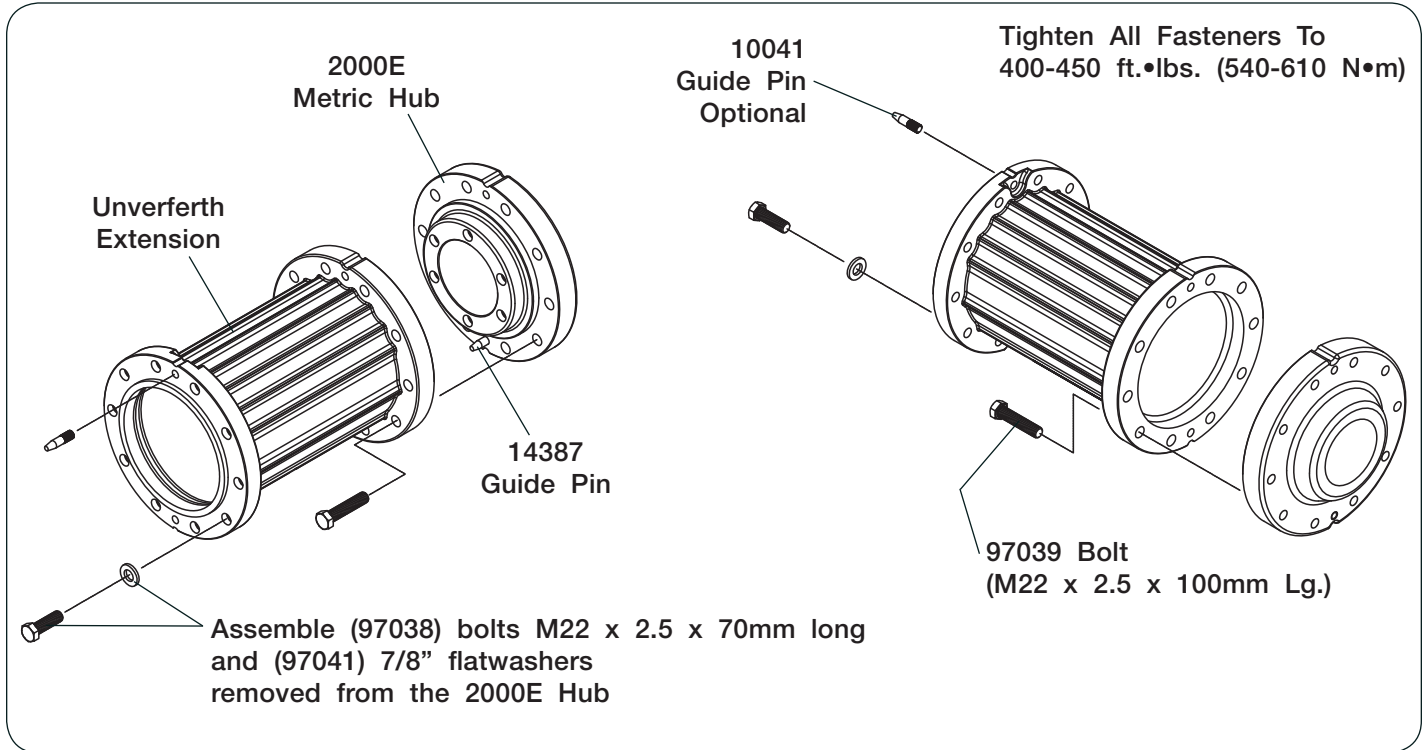
Triple Applications

NOTE: These extensions have (2) opposing holes, 1.875" dia., which allow the extension to be mounted over the dual wheel disc, then fastened with the 8 remaining bolts through the extension and wheel disc then into the hub. The triple wheel then mounts on the opposite end of the extension. These extension include the appropriate hardware to bolt extensions to 22mm threaded hubs.

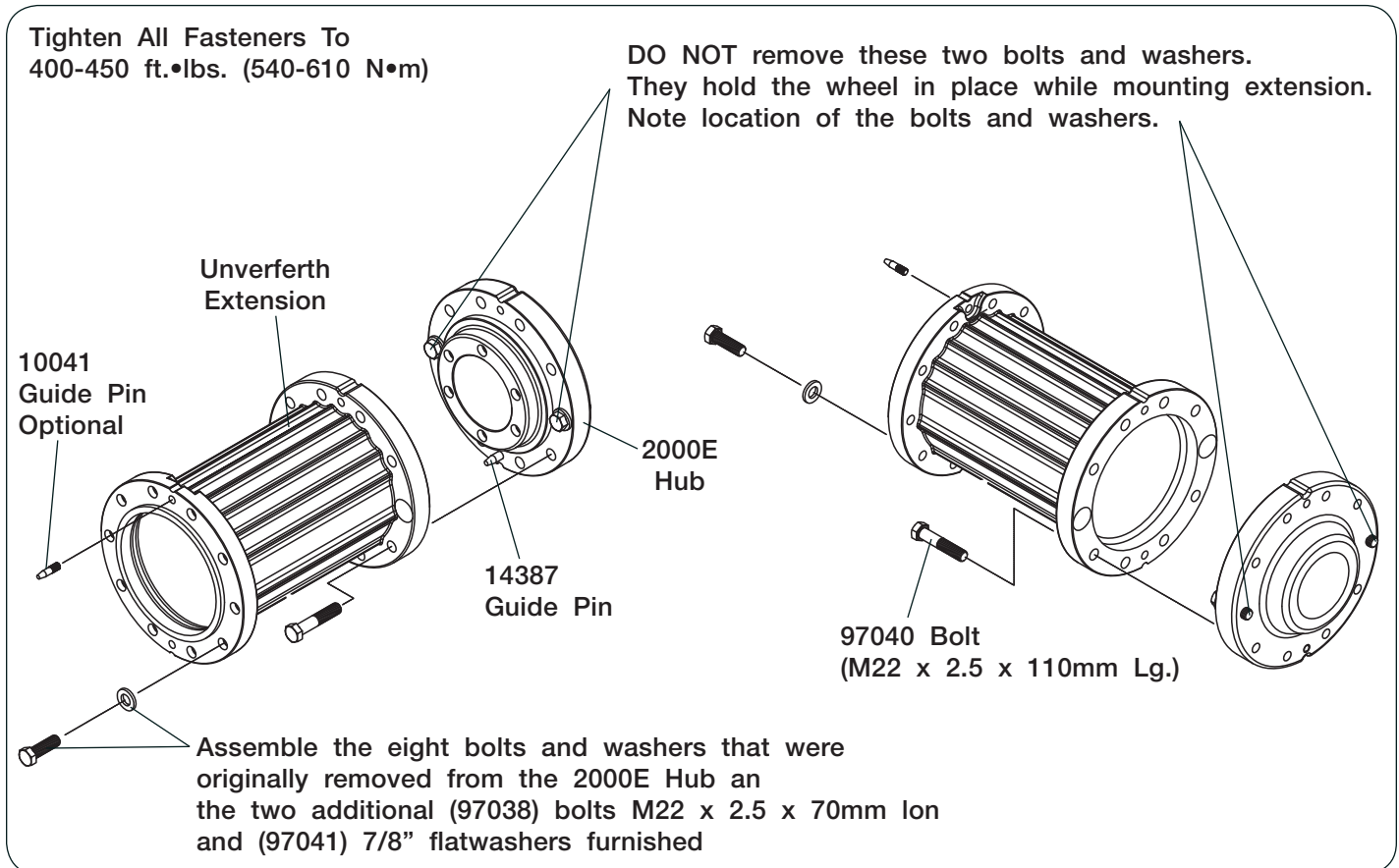
Description	Approximate Weight	Stock Number
19.5" Long - 22mm threads with Hardware	147 lbs.	14521B 14521Y
21.5" Long - 22mm threads with Hardware	156 lbs.	14522B 14522Y
29.5" Long - 22mm threads with Hardware	171 lbs.	17788B 17788Y

Assembly of Unverferth 10-Bolt Hub Extensions to Unverferth 2000E Metric Hub

Hardware Bundle #14505 for Dual Wheel Applications



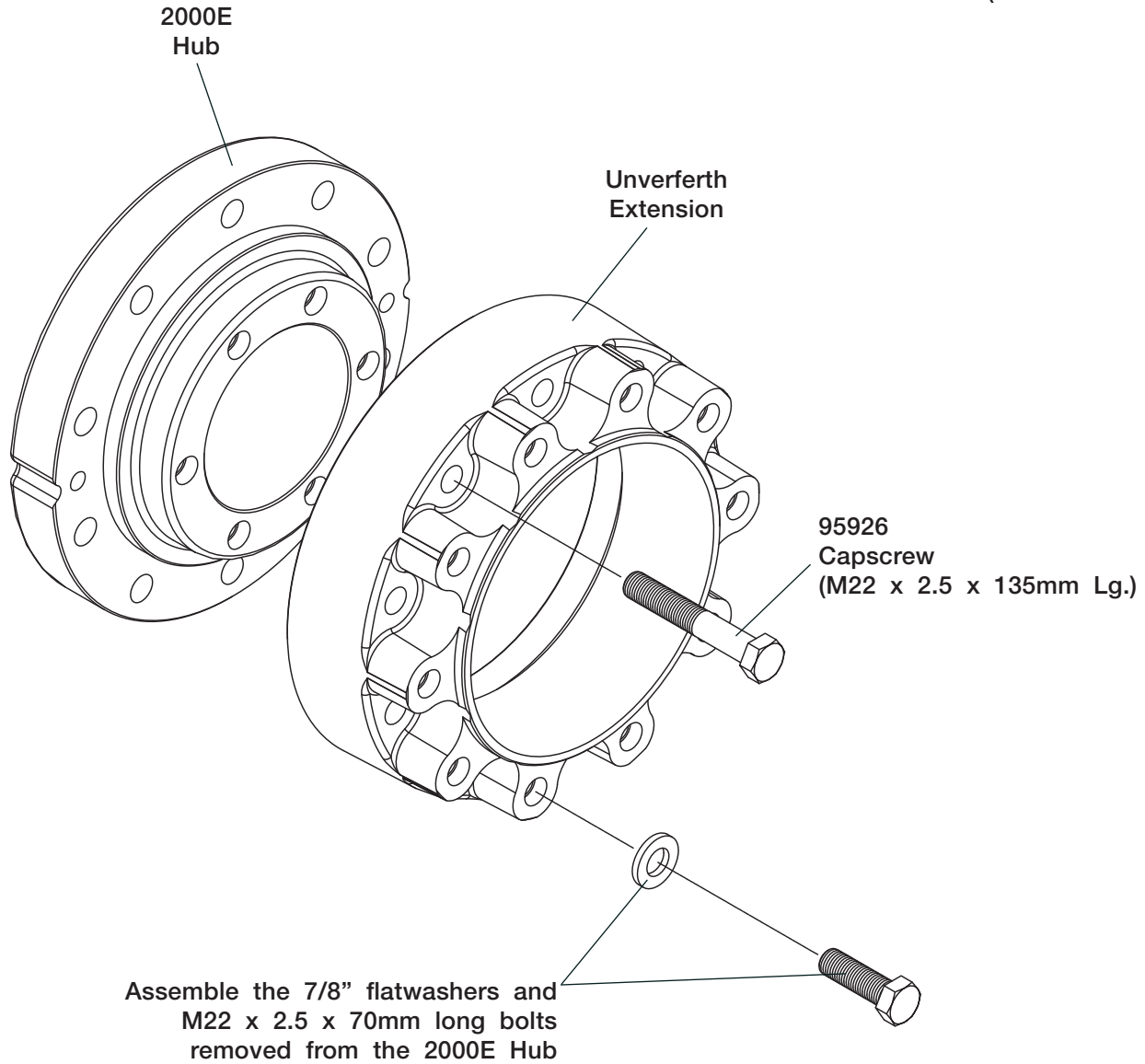
Hardware Bundle #14506 for Triple Wheel Applications



Assembly of Unverferth 10-Bolt 5" Extension to Unverferth 2000E Hub

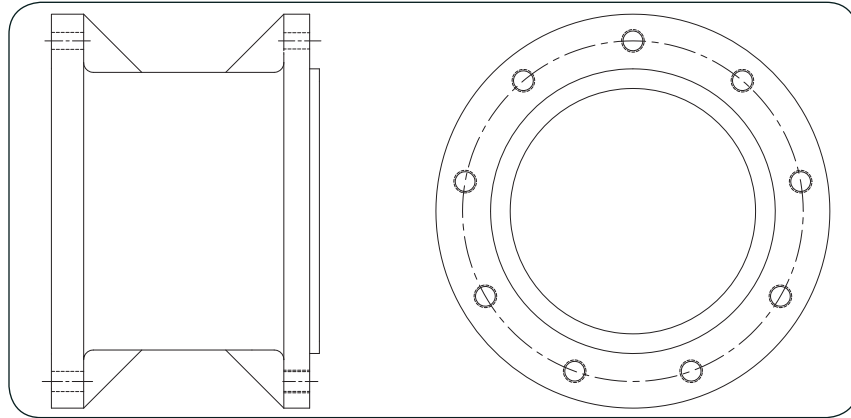
Hardware Bundle #14942 for Dual Wheel Applications

Tighten All Fasteners To
400-450 ft.•lbs. (540-610 N•m)



Extension for Unverferth Direct-Axle Hubs

The following extensions have 5/8" National Fine threads and are used with Unverferth 51E, 71E and 81E Series Hubs.



9-Bolt Extension with 9 1/2" (241.3mm) Bolt Circle

Dual Applications

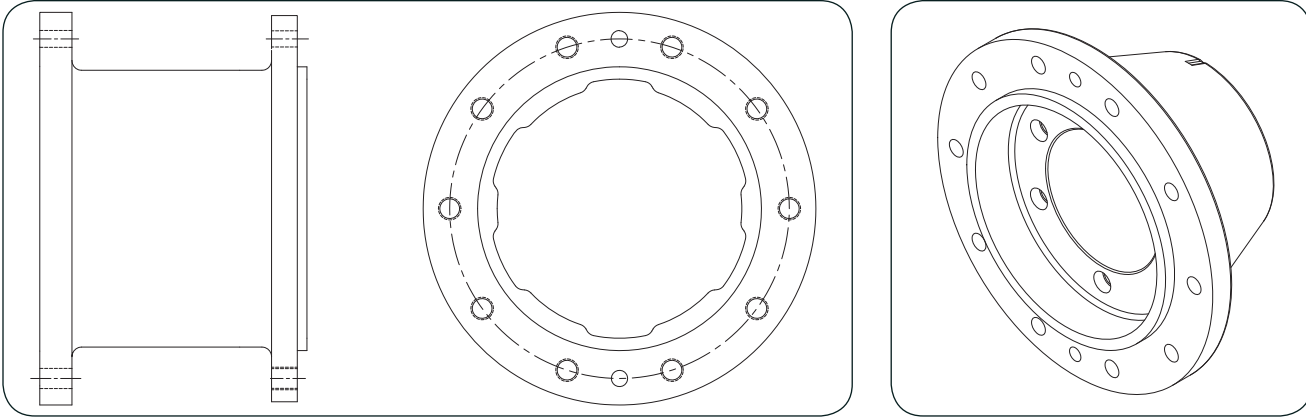
NOTE: These extensions include the appropriate hardware to bolt extensions to 5/8" N.F. threaded hubs.

Description	Approximate Weight	Stock Number
5" (Spool Type) with Hardware	44 lbs.	17282
10" (Spool Type) with Hardware	57 lbs.	17283

**Extensions for OE Direct-Axle Hubs
for Agco-Allis/Agco-White, AGCO, Challenger,
Massey-Ferguson & Fendt with Factory Hub Base**

***(Used mainly on older tractor models produced prior to 2003.
Verify 7/8 or 22mm hardware.)***

Casting #72160909



10-Bolt Extension with 13 3/16" (335mm) Bolt Circle

Dual Applications

NOTE: These extensions include the appropriate hardware to bolt extensions to 7/8" N.C. threaded hubs.

Description	Approximate Weight	Stock Number
5" Long - 22mm threads with Hardware	105 lbs.	14933
8" Long - 22mm threads with Hardware	108 lbs.	14740
10" Long - 22mm threads with Hardware	116 lbs.	14741
13" Long - 22mm threads with Hardware	129 lbs.	14742
15" Long - 22mm threads with Hardware	137 lbs.	14743
19.5" Long - 22mm threads with Hardware	155 lbs.	14744
21.5" Long - 22mm threads with Hardware	164 lbs.	14745

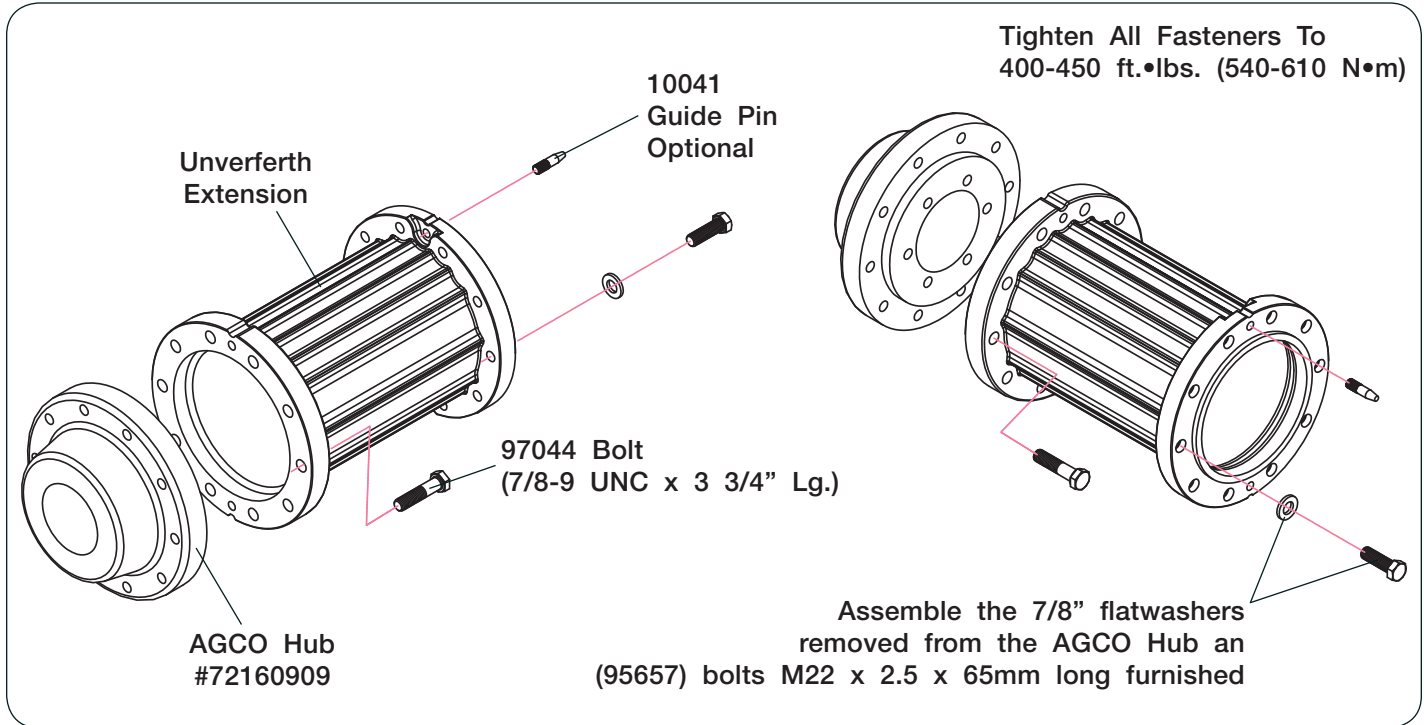
Triple Applications

NOTE: These extensions have (2) opposing holes, 1.875" dia., which allow the extension to be mounted over the dual wheel disc, then fastened with the 8 remaining bolts through the extension and wheel disc then into the hub. The triple wheel then mounts on the opposite end of the extension. These extension include the appropriate hardware to bolt extensions to 7/8" N.C. threaded hubs.

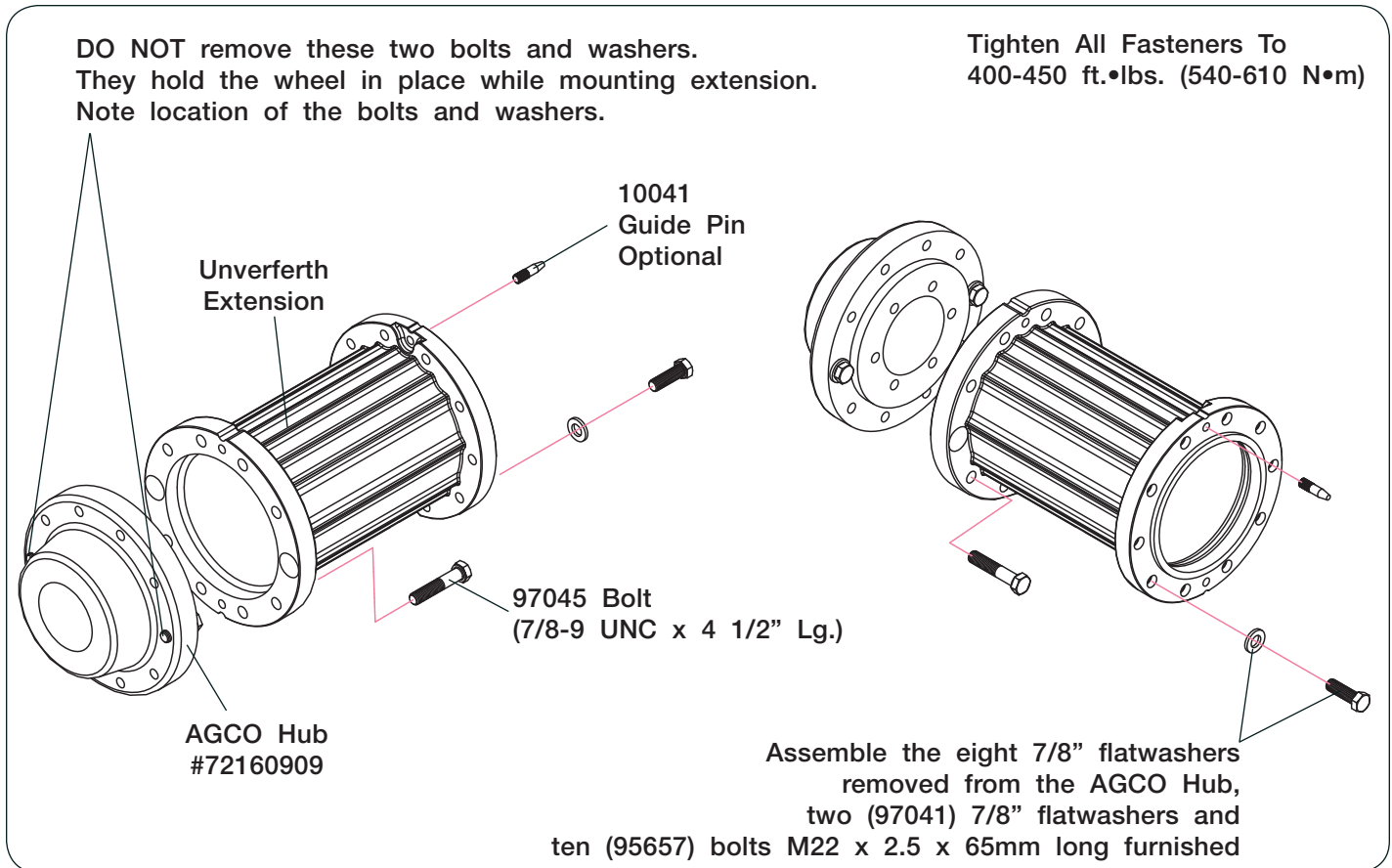
Description	Approximate Weight	Stock Number
19.5" Long - 22mm threads with Hardware	153 lbs.	14746
21.5" Long - 22mm threads with Hardware	161 lbs.	14747
29.5" Long - 22mm threads with Hardware	177 lbs.	17789B

Assembly of Unverferth 10-Bolt Hub Extensions to AGCO OEM Hub #72160909

Hardware Bundle #14704 for Dual Wheel Applications



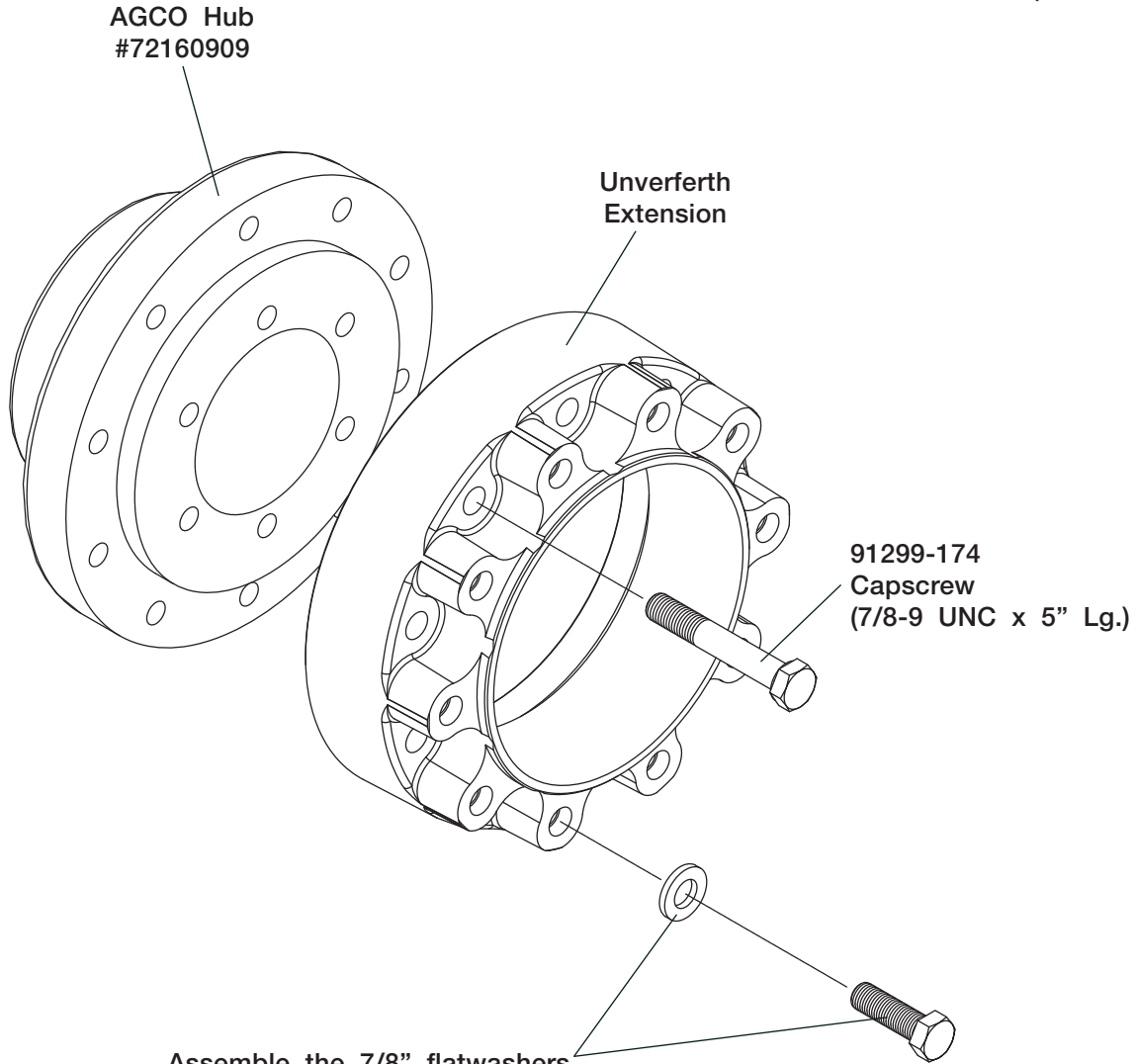
Hardware Bundle #14705 for Triple Wheel Applications



Assembly of Unverferth 10-Bolt 5" Extension to AGCO OEM Hub #72160909

Hardware Bundle #15150 for Dual Wheel Applications

Tighten All Fasteners To
400-450 ft.•lbs. (540-610 N•m)

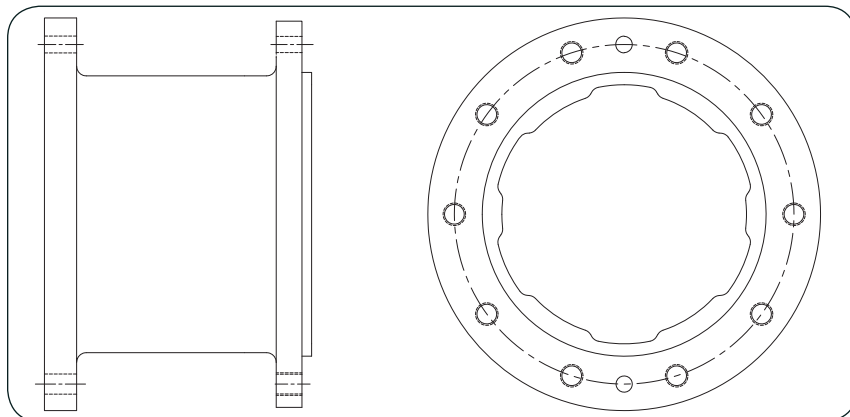


Assemble the 7/8" flatwashers removed from AGCO Hub and (95657) bolts M22 x 2.5 x 65mm long furnished

Extensions for OE Direct-Axle Hubs for AGCO, Challenger & Massey-Ferguson with Factory Hub Base

(Most current tractor models use this for the dual hub.)

Casting #3786490M1



Dual Applications

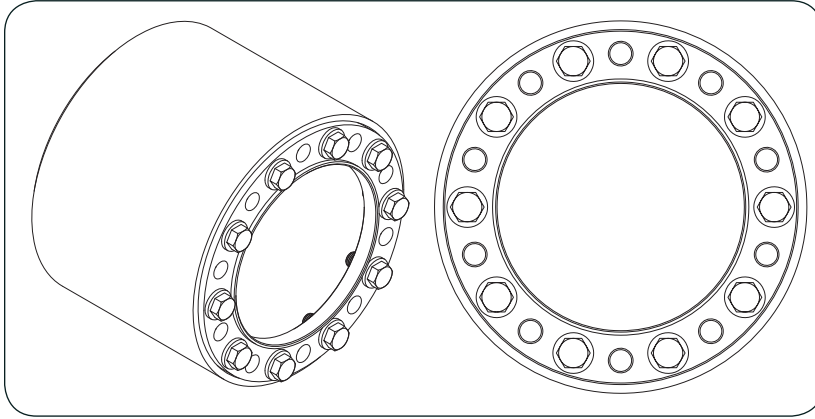
NOTE: These extensions include the appropriate hardware to bolt extensions to hubs with 22mm studs.

Description	Approximate Weight	Stock Number
5" Long - 7/8" UNC threads with Hardware	78 lbs.	18102B
10" Long - 7/8" UNC threads with Hardware	101 lbs.	16412
13" Long - 7/8" UNC threads with Hardware	105 lbs.	16413
15" Long - 7/8" UNC threads with Hardware	120 lbs.	16414
18" Long - 7/8" UNC threads with Hardware	132 lbs.	16415
21" Long - 7/8" UNC threads with Hardware	146 lbs.	16416
24" Long - 7/8" UNC threads with Hardware	147 lbs.	16417

**Extensions for OE Direct-Axle Hubs
for AGCO, Challenger & Massey-Ferguson
with Factory Hub Base**

***(Most current tractor models use this for the main wheel hub
when they do not have the cast.)***

Casting #3716107H2



Dual Applications

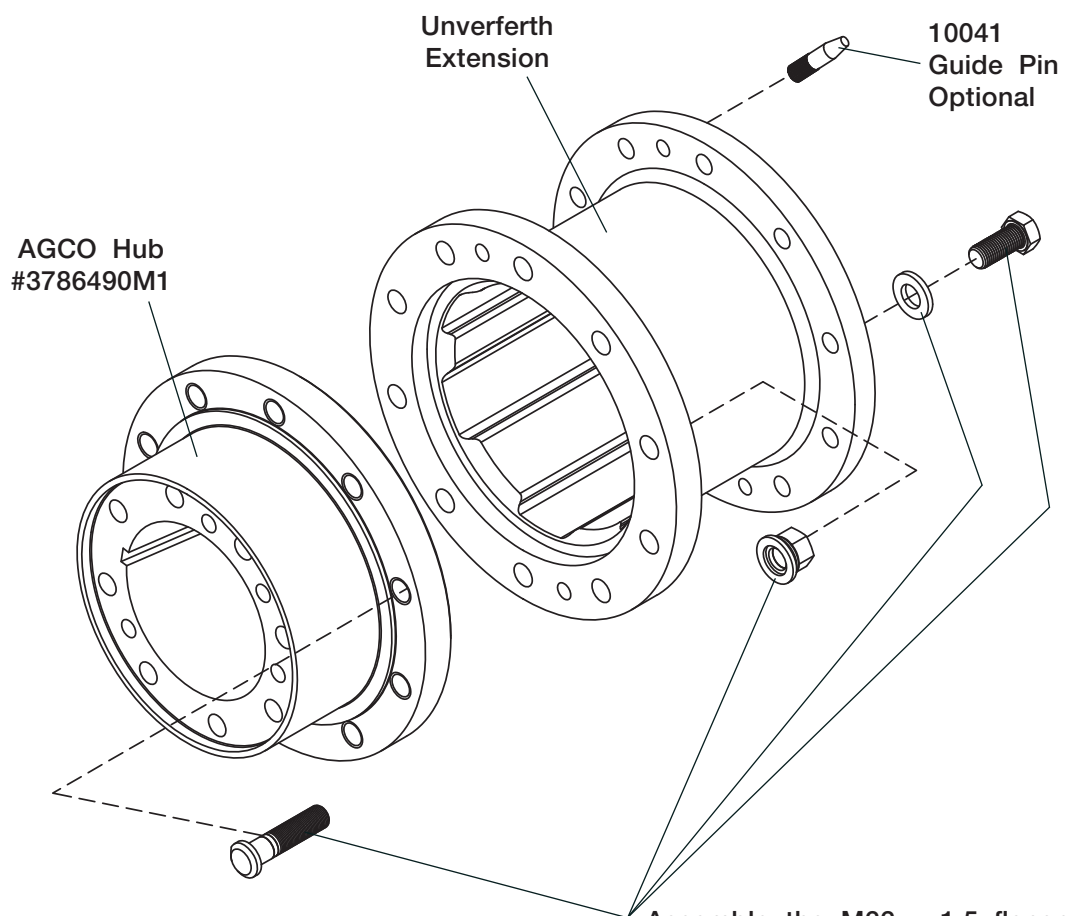
NOTE: These extensions include the appropriate hardware to bolt extensions to hubs with 22mm studs.

Description	Approximate Weight	Stock Number
13" Long - 22mm threads with Hardware	110 lbs.	16974
13.5" Long - 22mm threads with Hardware	109 lbs.	110248B

Assembly of Unverferth 10-Bolt Hub Extensions to AGCO OEM Hub #3786490M1

Hardware Bundle #16411 for Dual Wheel Applications

Tighten All Fasteners To
400-450 ft.•lbs. (540-610 N•m)

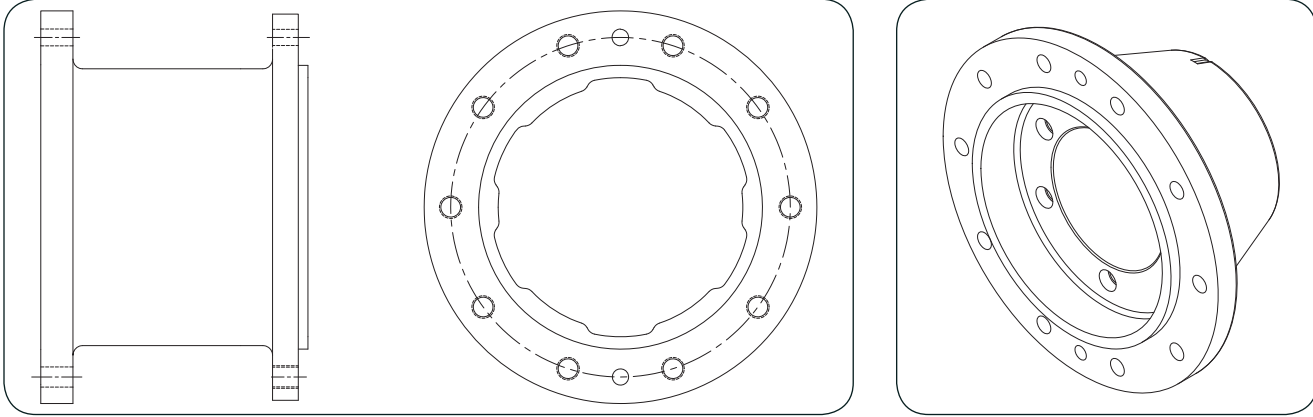


Assemble the M22 x 1.5 flange nut
from AGCO Hub and
ten (16000) studs M22 x 1.5 x 3.687" long,
ten (97041) 7/8" flatwashers and
ten (91398) bolts 7/8-9 UNC x 2" long furnished

Extensions for OE Direct-Axle Hubs for Case-IH with Factory Hub

(Used mainly on older Magnum tractors, i.e. 7100, 7200 and some 8900 Series tractors.)

Casting #1968131C2 & #1334527C3



10-Bolt Extension with 13 3/16" (335mm) Bolt Circle

Dual Applications

NOTE: These extensions include the appropriate hardware to bolt extensions to 7/8" N.C. threaded hubs.

Description	Approximate Weight	Stock Number
5" Long - 7/8" UNC threads with Hardware	104 lbs.	15670B
8" Long - 7/8" UNC threads with Hardware	108 lbs.	15671B
10" Long - 7/8" UNC threads with Hardware	95 lbs.	15672B
13" Long - 7/8" UNC threads with Hardware	128 lbs.	15673B
15" Long - 7/8" UNC threads with Hardware	114 lbs.	15674B
18" Long - 7/8" UNC threads with Hardware	126 lbs.	15675B
21" Long - 7/8" UNC threads with Hardware	140 lbs.	190-21-OE
24" Long - 7/8" UNC threads with Hardware	142 lbs.	190-24-OE

Triple Applications

NOTE: These extensions have (2) opposing holes, 1.875" dia., which allow the extension to be mounted over the dual wheel disc, then fastened with the 8 remaining bolts through the extension and wheel disc then into the hub. The triple wheel then mounts on the opposite end of the extension. These extension include the appropriate hardware to bolt extensions to 7/8" N.C. threaded hubs.

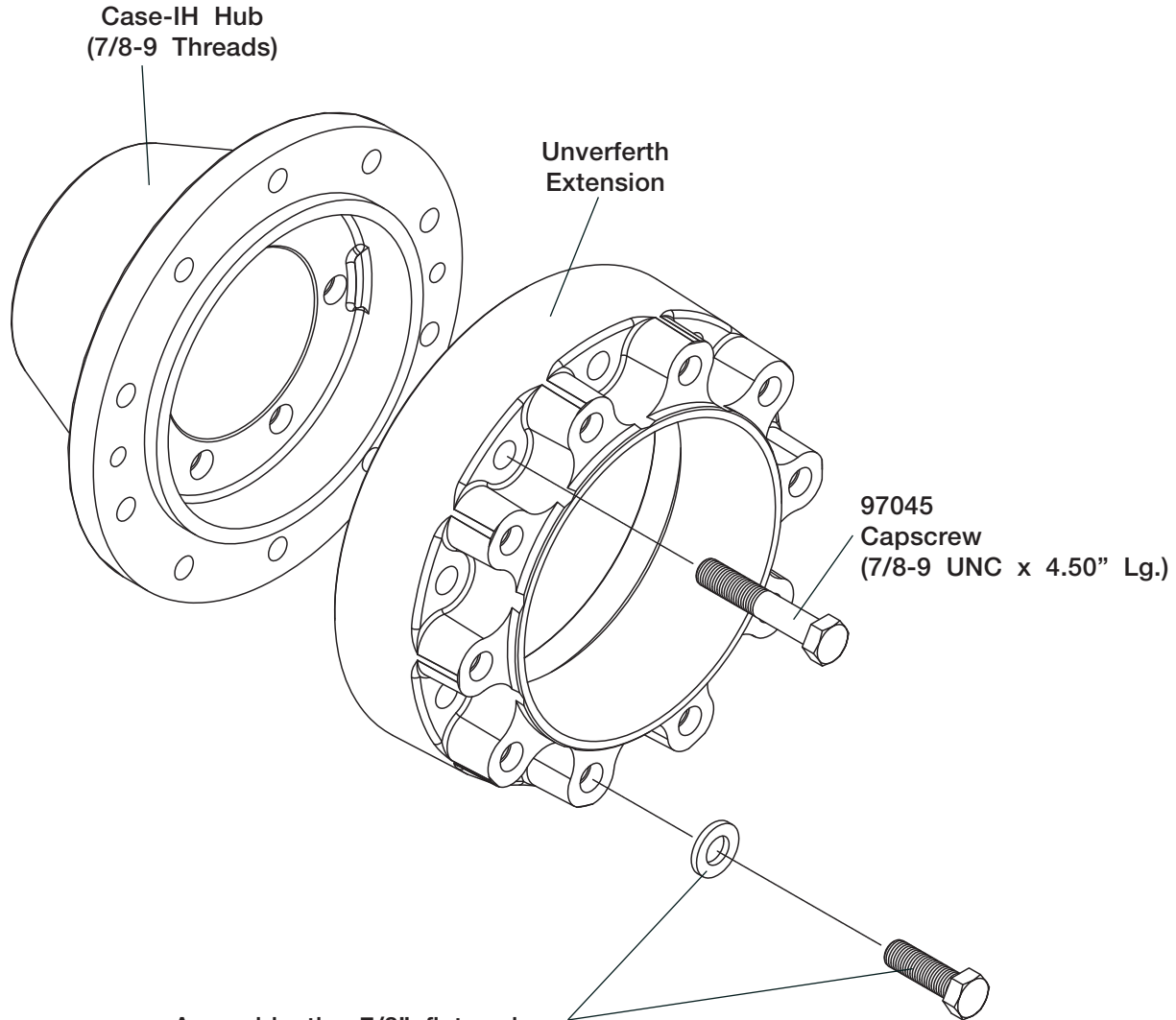
Description	Approximate Weight	Stock Number
18" Long - 7/8" UNC threads with Hardware	126 lbs.	190-18-OET
21" Long - 7/8" UNC threads with Hardware	140 lbs.	190-21-OET
24" Long - 7/8" UNC threads with Hardware	149 lbs.	190-24-OET

Notes

Assembly of Unverferth 10-Bolt 5" Extension to Case Hub #1968131C2 & #1334527C3 with 7/8-9 Threads

Hardware Bundle #15679 for Dual Wheel Applications

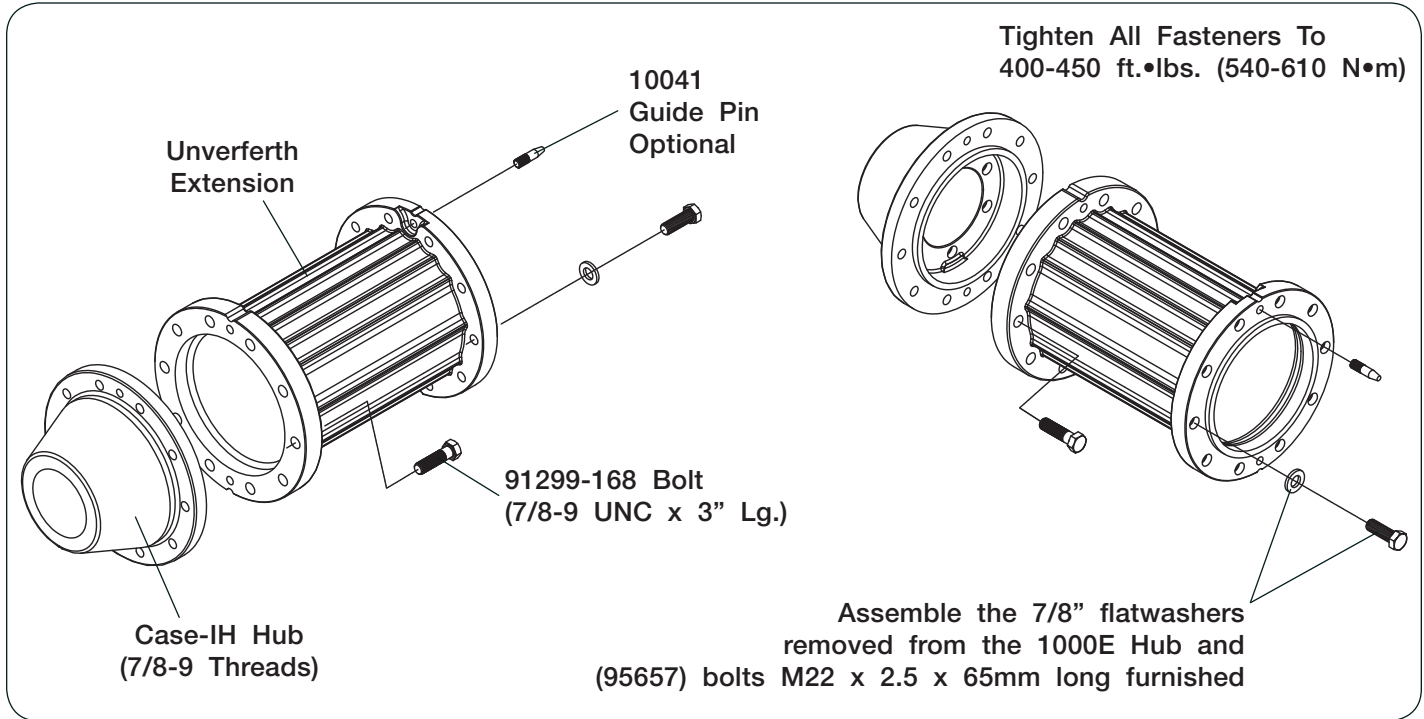
Tighten All Fasteners To
400-450 ft.•lbs. (540-610 N•m)



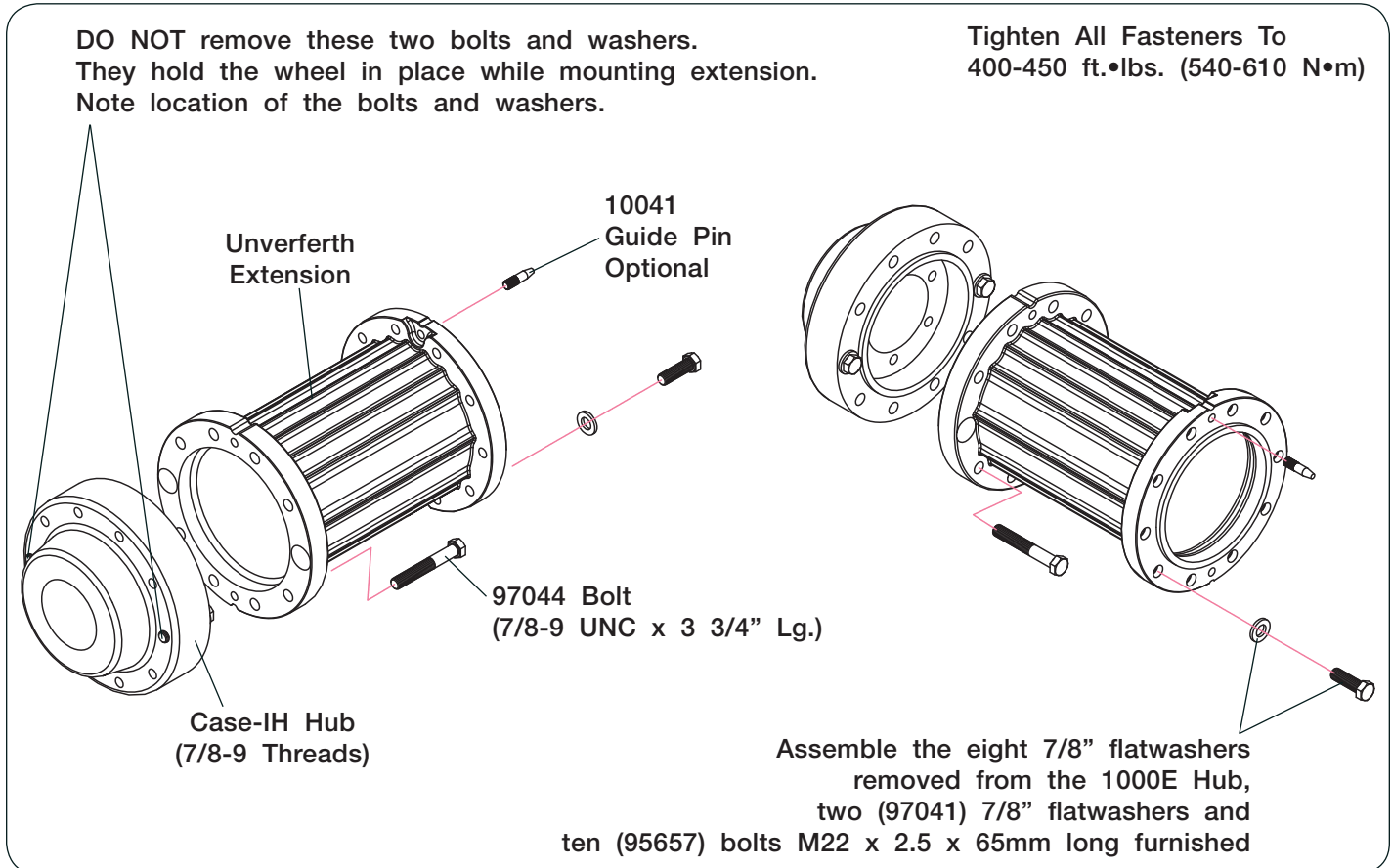
Assemble the 7/8" flatwashers removed from 1000E Hub and (95657) bolts M22 x 2.5 x 65mm long furnished

Assembly of Unverferth 10-Bolt Hub Extensions to Case Hub #1968131C2 & #1334527C3 with 7/8-9 Threads

Hardware Bundle #15680 for Dual Wheel Applications

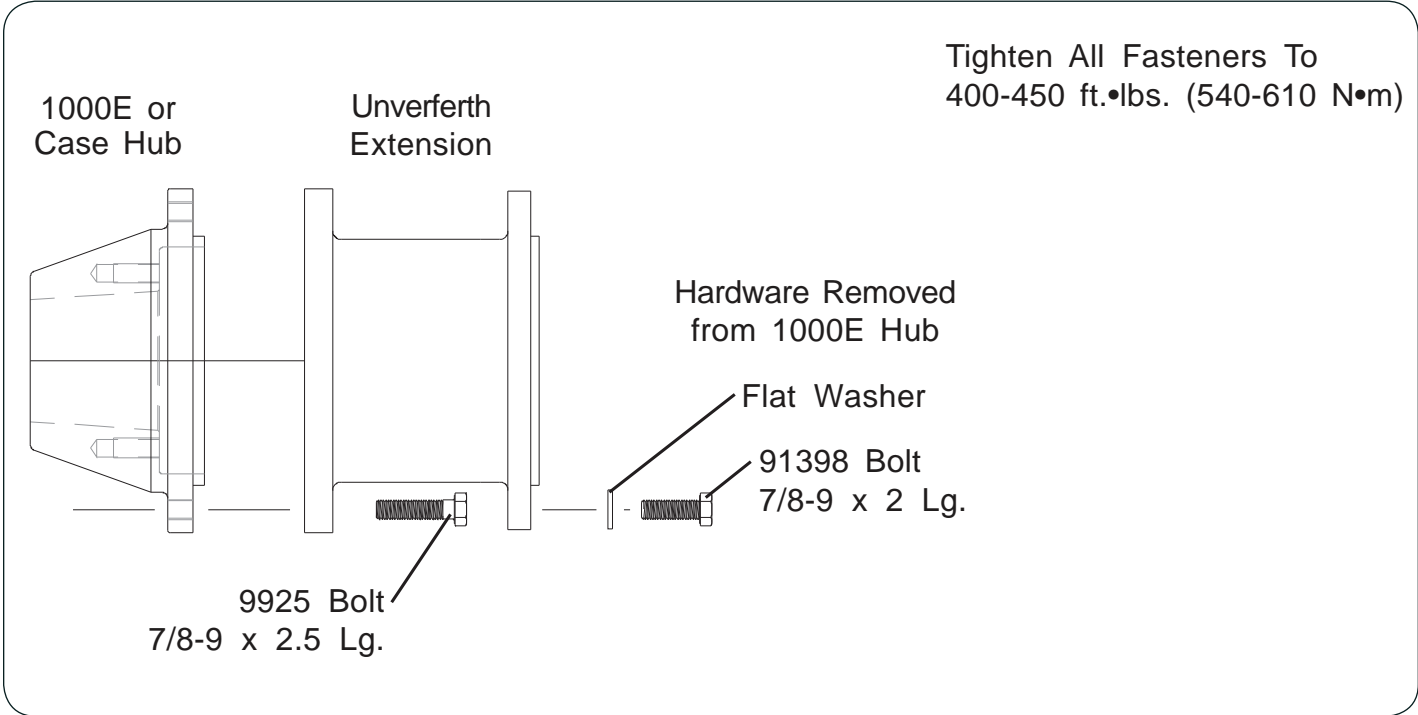


Hardware Bundle #15681 for Triple Wheel Applications

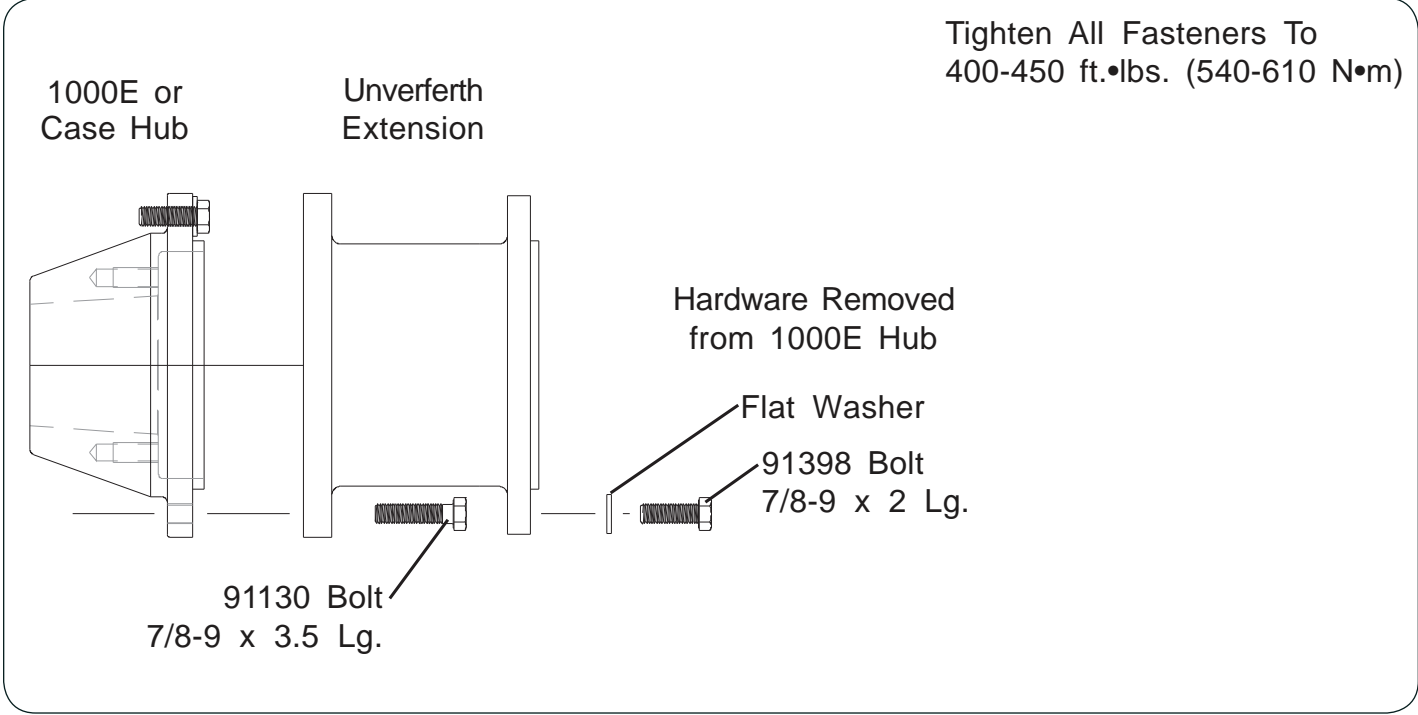


Assembly of Unverferth 10-Bolt Hub Extensions to UM 1000E & Case Hub #1968131C2 & #1334527C3

UM Dual Wheel Extensions with Hardware



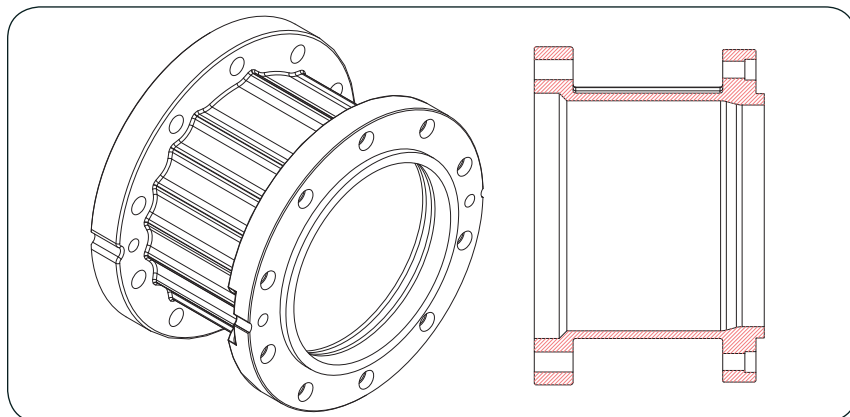
UM Triple Wheel Extensions with Hardware



Extensions for OE Direct-Axle Hubs for Case-IH with Factory Hub Base

*(Used on all current Magnum tractors, most current Steiger and
any PUMA Series tractor with a 10-Bolt Hub.)*

Casting #185605A2



10-Bolt Extension with 13 3/16" (335mm) Bolt Circle

Dual Applications

NOTE: These extensions include the appropriate hardware to bolt extensions to 22mm threaded hubs.

Description	Approximate Weight	Stock Number
5" Long - 22mm threads with Hardware	106 lbs.	14930
8" Long - 22mm threads with Hardware	109 lbs.	14507
10" Long - 22mm threads with Hardware	117 lbs.	14508
13" Long - 22mm threads with Hardware	129 lbs.	14509
15" Long - 22mm threads with Hardware	138 lbs.	14510
19.5" Long - 22mm threads with Hardware	156 lbs.	14511
21.5" Long - 22mm threads with Hardware	164 lbs.	14512

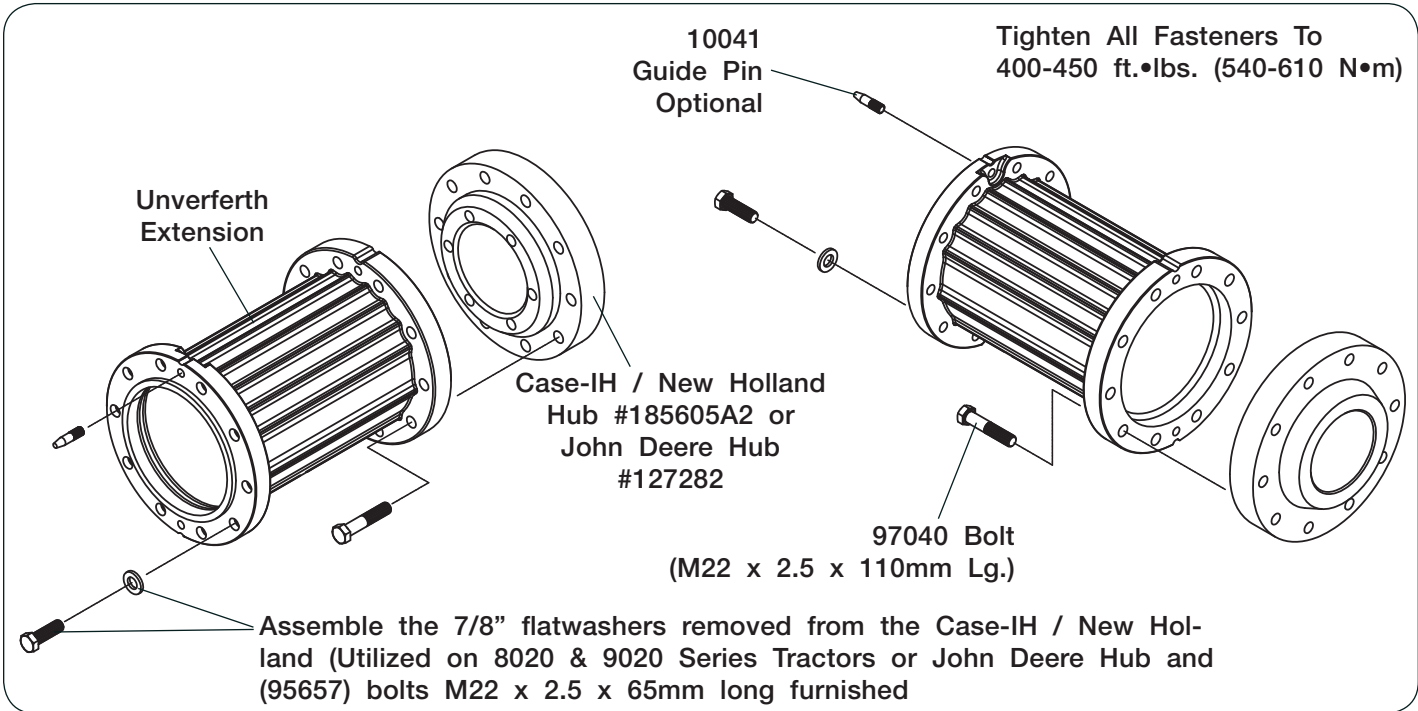
Triple Applications

NOTE: These extensions have (2) opposing holes, 1.875" dia., which allow the extension to be mounted over the dual wheel disc, then fastened with the 8 remaining bolts through the extension and wheel disc then into the hub. The triple wheel then mounts on the opposite end of the extension. These extension include the appropriate hardware to bolt extensions to 22mm threaded hubs.

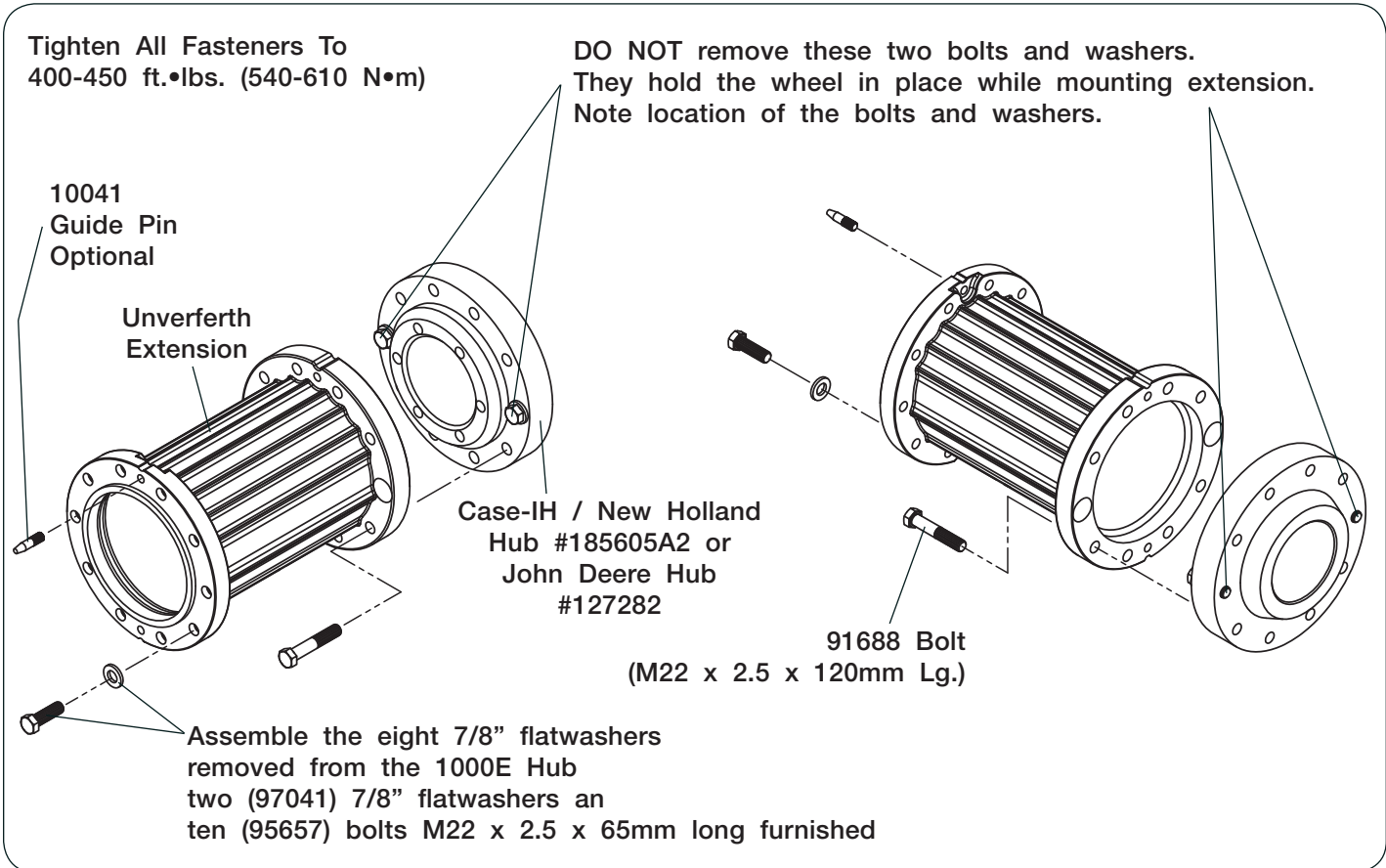
Description	Approximate Weight	Stock Number
19.5" Long - 22mm threads with Hardware	153 lbs.	14519
21.5" Long - 22mm threads with Hardware	161 lbs.	14520
29.5" Long - 22mm threads with Hardware	177 lbs.	17790B

Assembly of Unverferth 10-Bolt Hub Extensions to Case-IH / New Holland OEM Hub #185605A2 or John Deere OEM Hub #127282

Hardware Bundle #14503 for Dual Wheel Applications



Hardware Bundle #14504 for Triple Wheel Applications

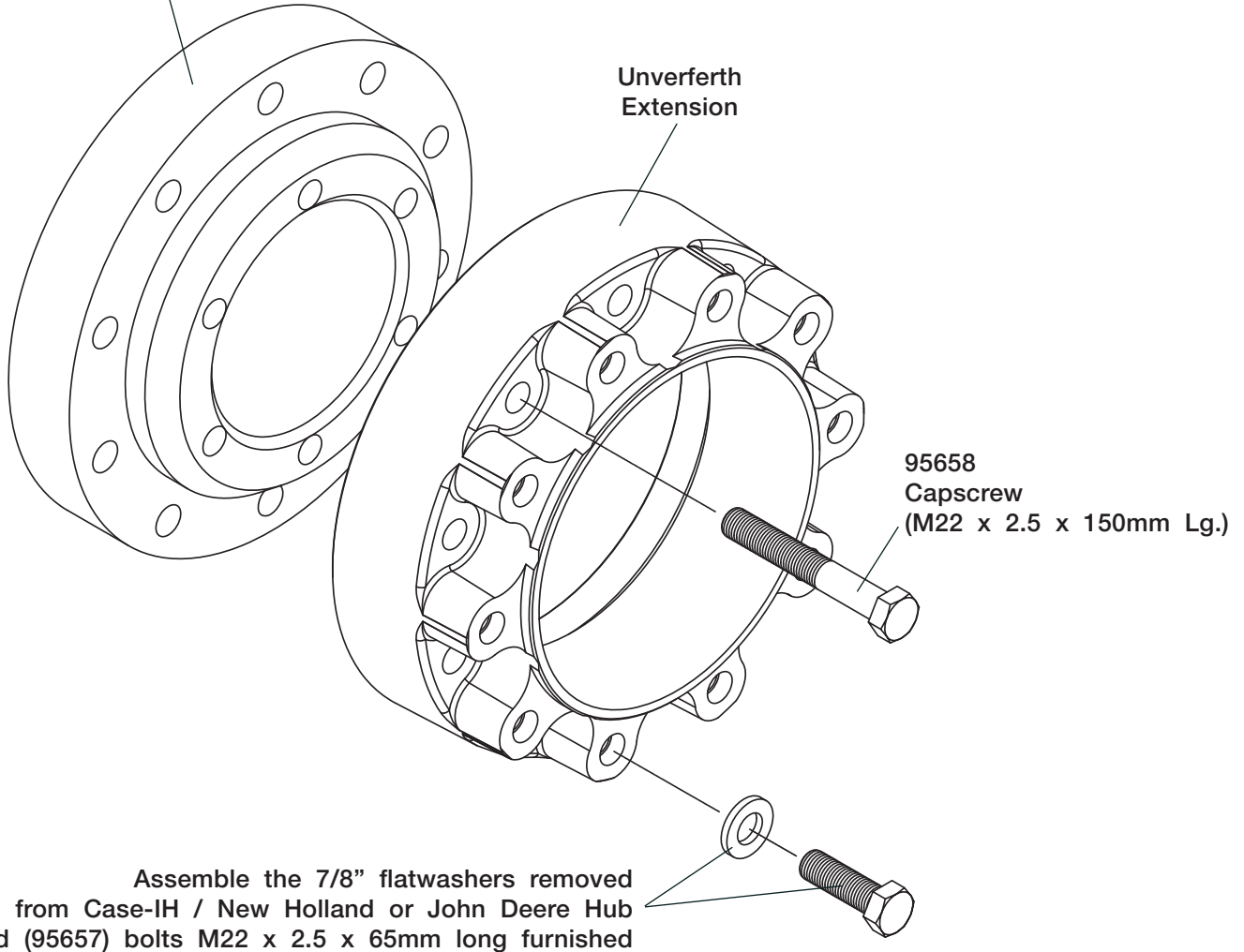


**Assembly of Unverferth 10-Bolt 5" Hub Extension to
Case-IH / New Holland OEM Hub #185605A2 or
John Deere OEM Hub #127282**

Hardware Bundle #15141 for Dual Wheel Applications

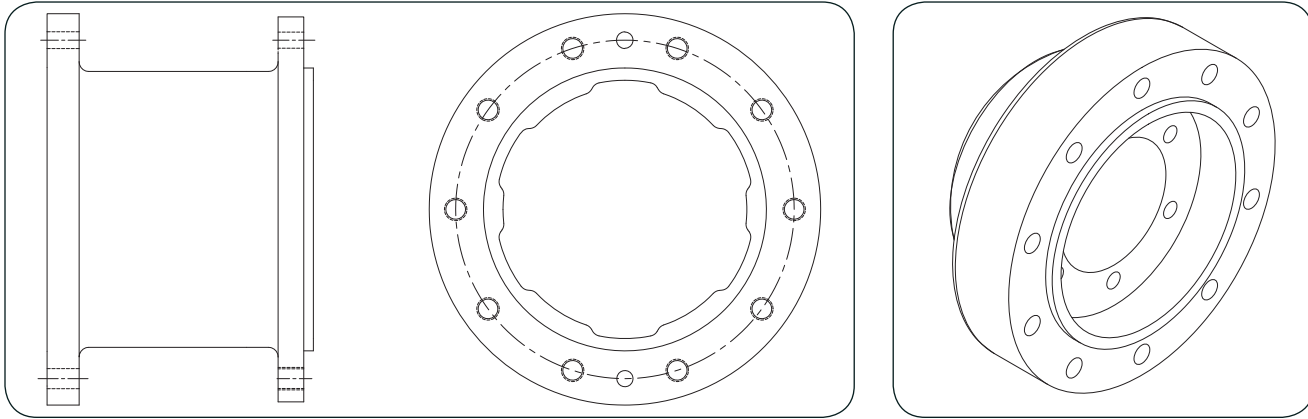
Case-IH / New Holland
Hub #185605A2 or
John Deere Hub
#127282

Tighten All Fasteners To
400-450 ft.•lbs. (540-610 N•m)



**Extensions for OE Direct-Axle Hubs
for John Deere with Factory Hub #108955
(Produced prior to March - 1996)
Commonly Used On Models: 4055, 4255, 4455, 4755, 4955,
4560, 4760, 4960**

NOTE: Models prior to 55 Series tractors had 7/8" N.C. threads and would utilize extensions on page 2-1.



10-Bolt Extension with 13 3/16" (335mm) Bolt Circle

Dual Applications

NOTE: These extensions include the appropriate hardware to bolt extensions to 22mm threaded hubs.

Description	Approximate Weight	Stock Number
5" Long - 22mm threads with Hardware	113 lbs.	15965
8" Long - 22mm threads with Hardware	115 lbs.	14716
10" Long - 22mm threads with Hardware	106 lbs.	14717
13" Long - 22mm threads with Hardware	131 lbs.	14718
15" Long - 22mm threads with Hardware	139 lbs.	14719
19.5" Long - 22mm threads with Hardware	158 lbs.	14720
21" Long - 22mm threads with Hardware	151 lbs.	14721
24" Long - 22mm threads with Hardware	152 lbs.	190-24-JD
29.5" Long - 22mm threads with Hardware	176 lbs.	14923

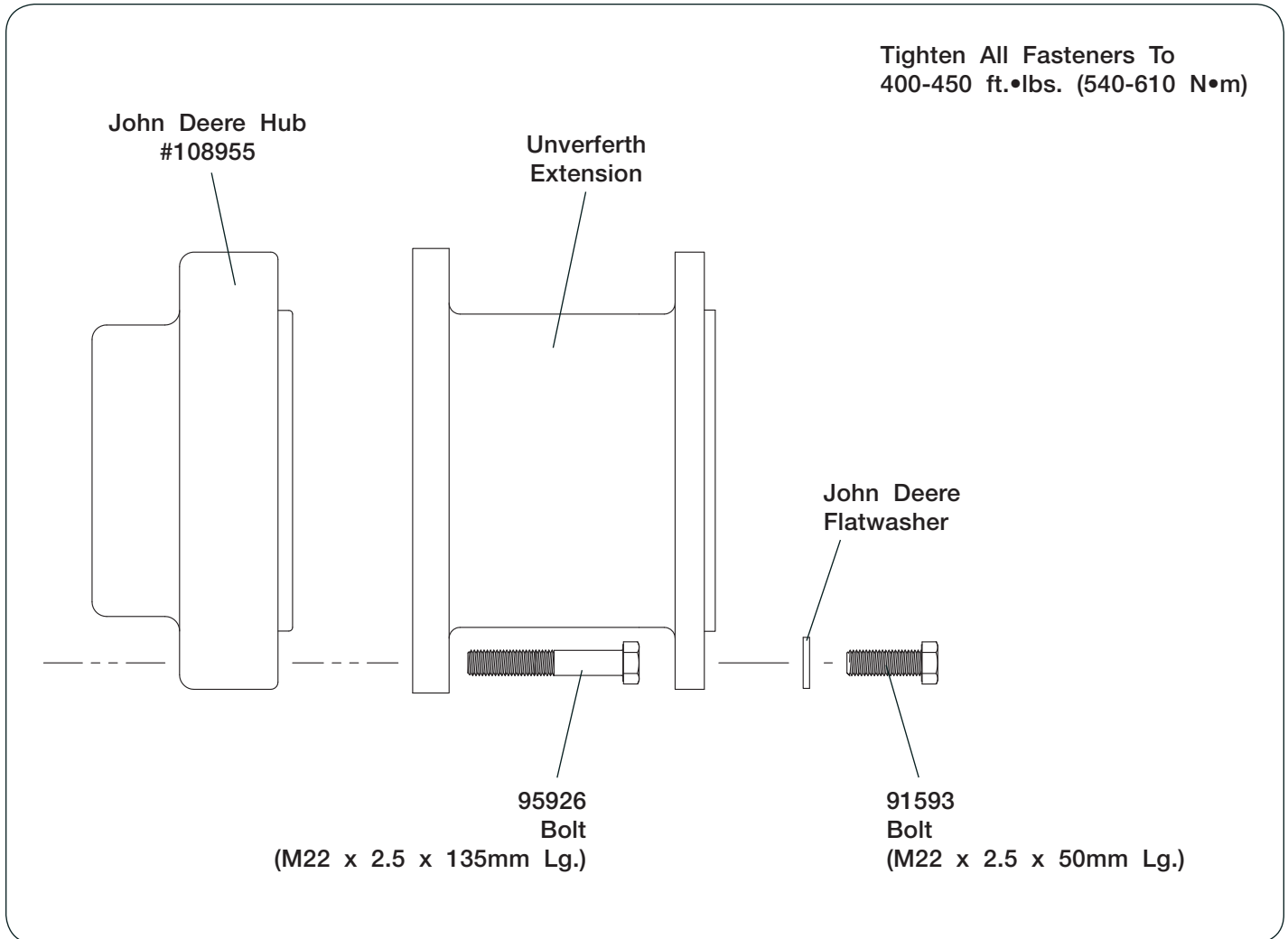
Triple Applications

NOTE: These extensions have (2) opposing holes, 1.875" dia., which allow the extension to be mounted over the dual wheel disc, then fastened with the 8 remaining bolts through the extension and wheel disc then into the hub. The triple wheel then mounts on the opposite end of the extension. These extension include the appropriate hardware to bolt extensions to 22mm threaded hubs.

Description	Approximate Weight	Stock Number
18" Long - 22mm threads with Hardware	133 lbs.	14722
21" Long - 22mm threads with Hardware	147 lbs.	190-21-JDT
24" Long - 22mm threads with Hardware	150 lbs.	190-24-JDT

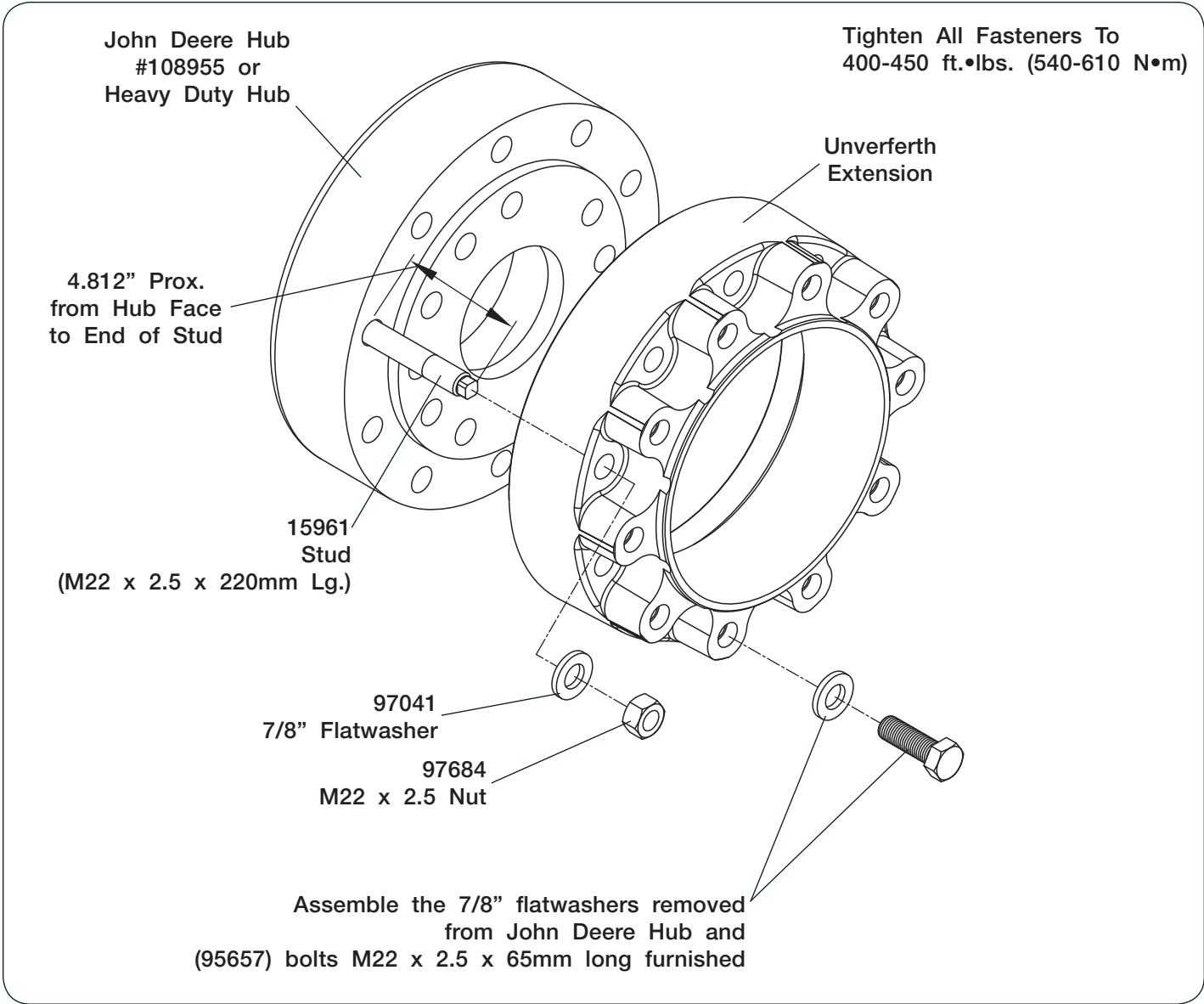
**Assembly of Unverferth Hub Extension to
John Deere 10-Bolt Metric Hub #108955
(Hub produced before March - 1996)**

**10-Bolt John Deere Metric Hub #108955 &
UM 10", 13", 15", 18" and 21" Extensions with Hardware Bundle #12819**



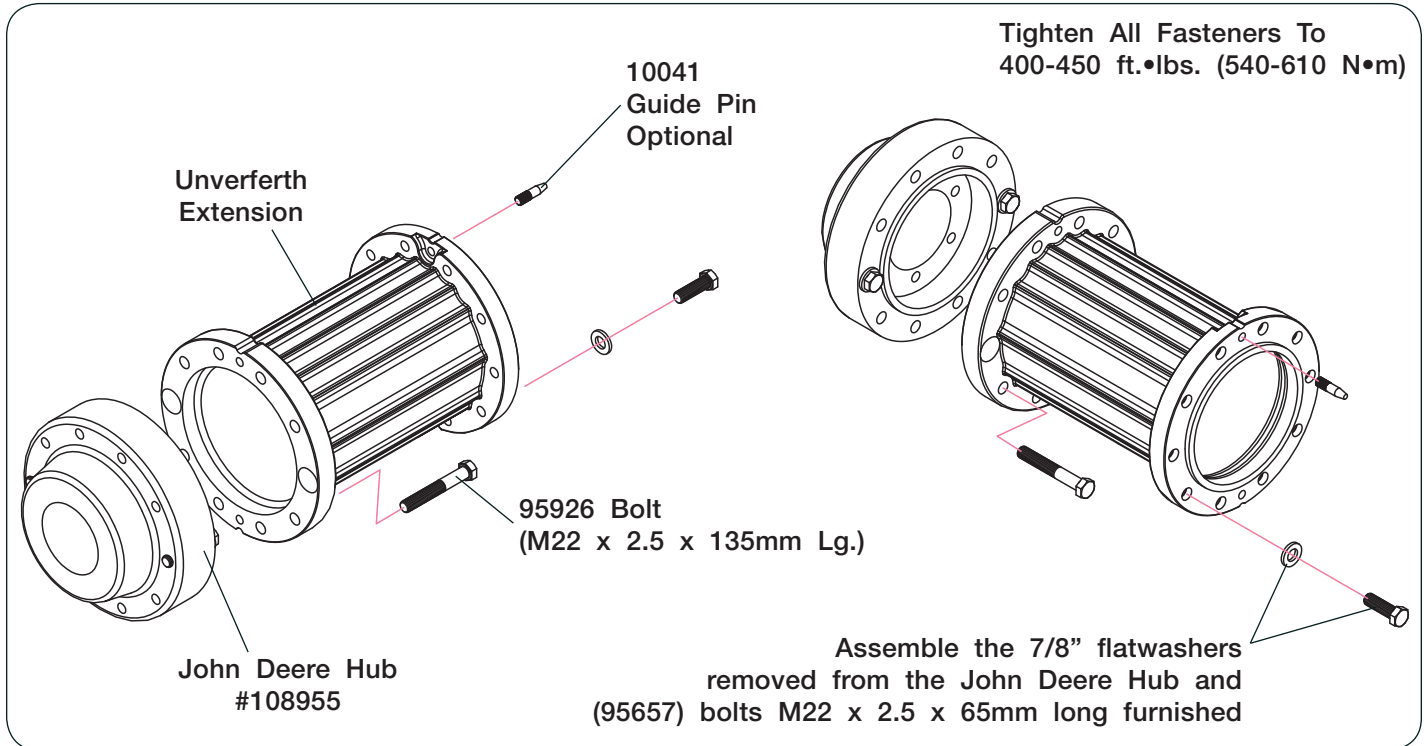
Assembly of Unverferth 10-Bolt 5" Hub Extension to John Deere OEM Hub #108955 or Heavy Duty Hub

Hardware Bundle #15962 for Dual Wheel Applications

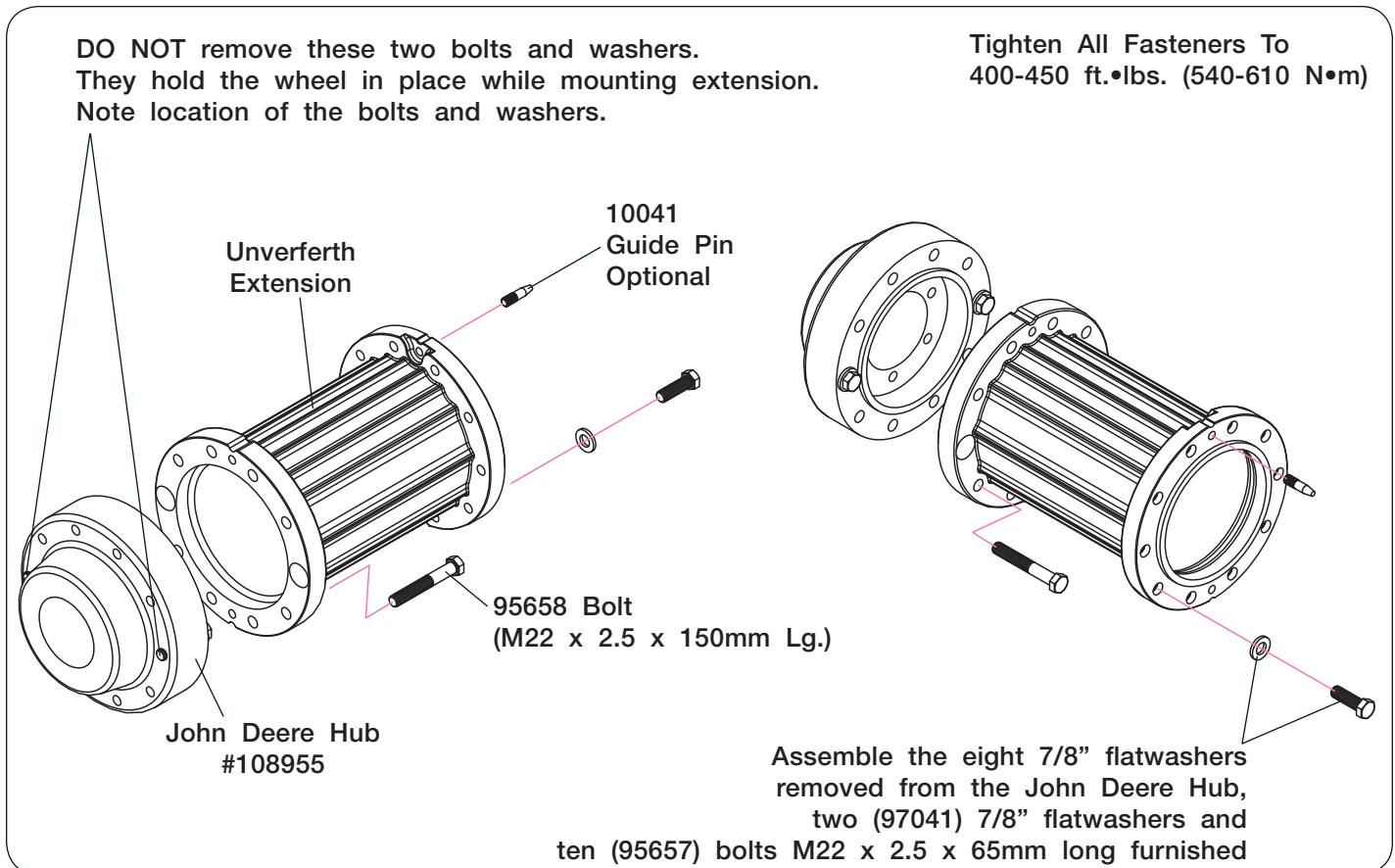


Assembly of Unverferth 10-Bolt Hub Extensions to John Deere OEM Hub #108955

Hardware Bundle #14700 for Dual Wheel Applications



Hardware Bundle #14701 for Triple Wheel Applications



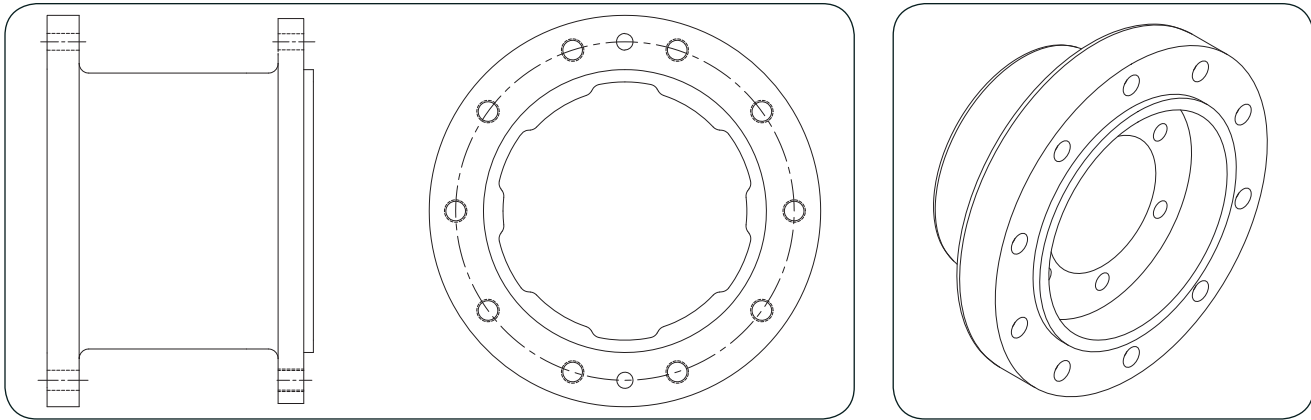
**Extensions for OE Direct-Axle Hubs
for John Deere with Factory Hub #127282 & #298758
(Produced after March - 1996)**

Commonly used on:

**6105M, 6105R, 6115M, 6115R, 6125M, 6125R, 6140R, 6150M,
6150R, 6170M, 6170R, 6190R, 6210R**

**7200, 7210, 7220, 7230, 7330, 7400, 7410, 7420, 7430, 7510,
7520, 7530, 7600, 7610, 7700, 7710, 7720, 7730, 7800, 7810,
7820, 7830, 7920**

8100, 8110, 8200, 8210, 8300, 8310, 8400, 8410



10-Bolt Extension with 13 3/16" (335mm) Bolt Circle

Dual Applications

NOTE: These extensions include the appropriate hardware to bolt extensions to 22mm threaded hubs.

Description	Approximate Weight	Stock Number
5" Long - 22mm threads with Hardware	109 lbs.	14931
8" Long - 22mm threads with Hardware	112 lbs.	14724
10" Long - 22mm threads with Hardware	117 lbs.	14725
13" Long - 22mm threads with Hardware	132 lbs.	14726
15" Long - 22mm threads with Hardware	123 lbs.	190-15-JD-1
19.5" Long - 22mm threads with Hardware	156 lbs.	14728
21" Long - 22mm threads with Hardware	149 lbs.	14729
24" Long - 22mm threads with Hardware	150 lbs.	190-24-JD-1
29.5" Long - 22mm threads with Hardware	174 lbs.	14922

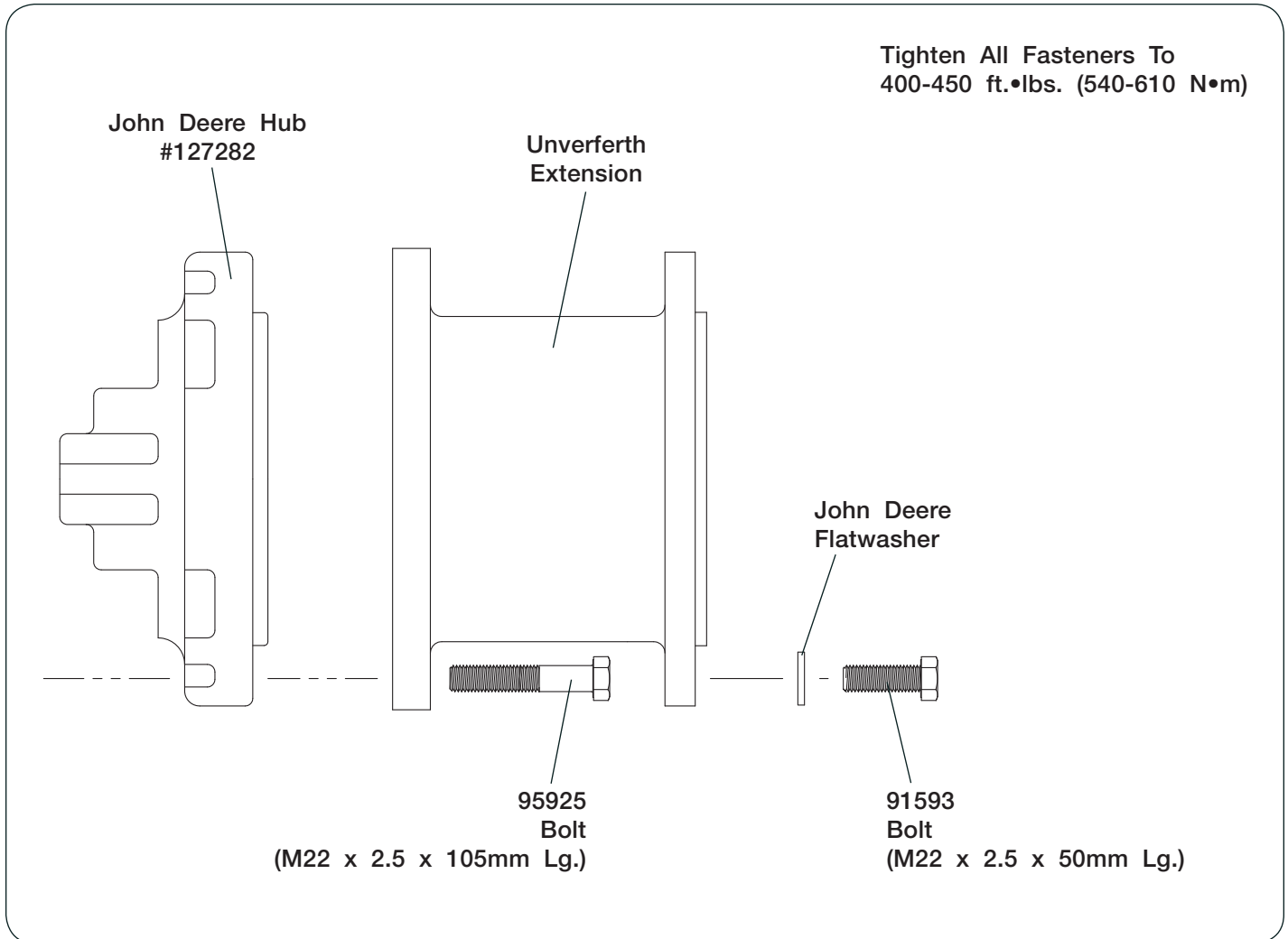
Triple Applications

NOTE: These extensions have (2) opposing holes, 1.875" dia., which allow the extension to be mounted over the dual wheel disc, then fastened with the 8 remaining bolts through the extension and wheel disc then into the hub. The triple wheel then mounts on the opposite end of the extension. These extension include the appropriate hardware to bolt extensions to 22mm threaded hubs.

Description	Approximate Weight	Stock Number
19.5" Long - 22mm threads with Hardware	153 lbs.	14730
21.5" Long - 22mm threads with Hardware	161 lbs.	14731
24" Long - 22mm threads with Hardware	149 lbs.	190-24-JDT-1

**Assembly of Unverferth Hub Extension to
John Deere 10-Bolt Metric Hub #127282
(Hub produced after March - 1996)**

**10-Bolt John Deere Metric Hub #127282 &
UM 10", 13", 15", 18" and 21" Extensions with Hardware Bundle #12820**



Assembly of Unverferth 10-Bolt 5" Hub Extension to Case-IH / New Holland OEM Hub #185605A2 or John Deere OEM Hub #127282

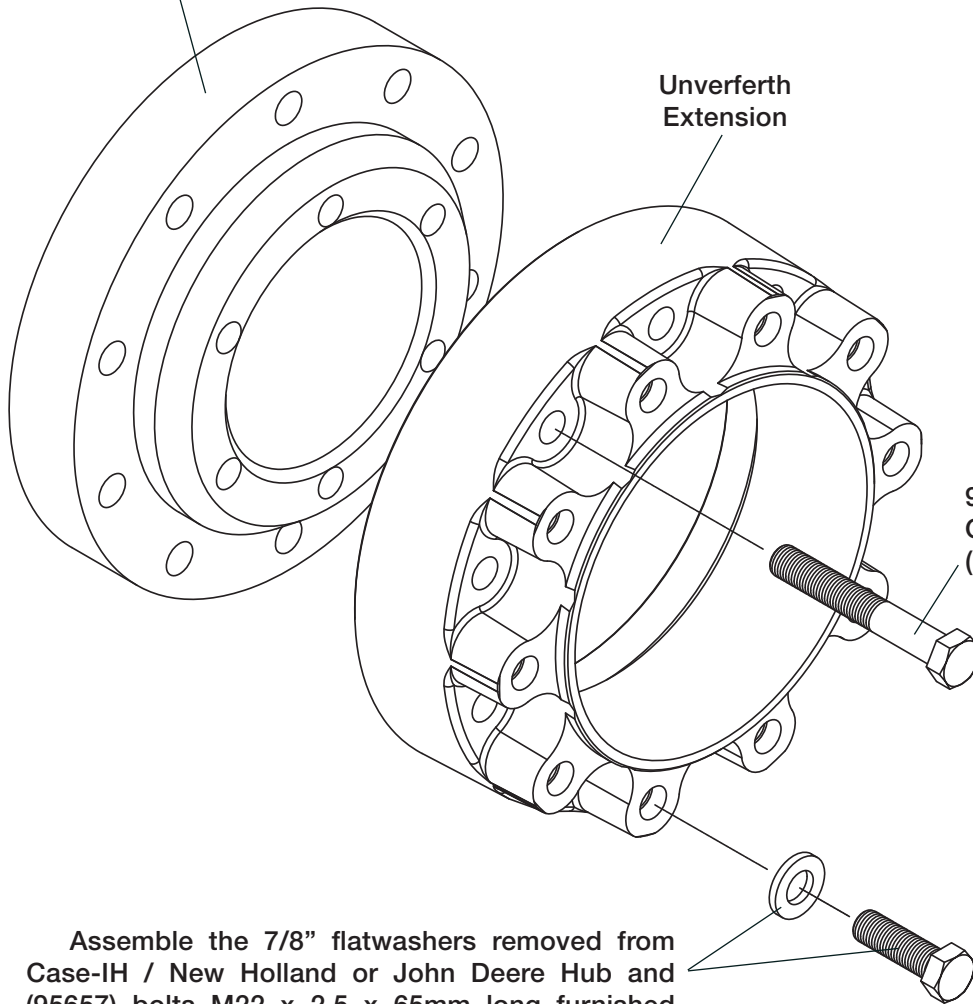
Hardware Bundle #15141 for Dual Wheel Applications

Tighten All Fasteners To
400-450 ft.•lbs. (540-610 N•m)

Case-IH / New Holland
Hub #185605A2 or
John Deere Hub
#127282

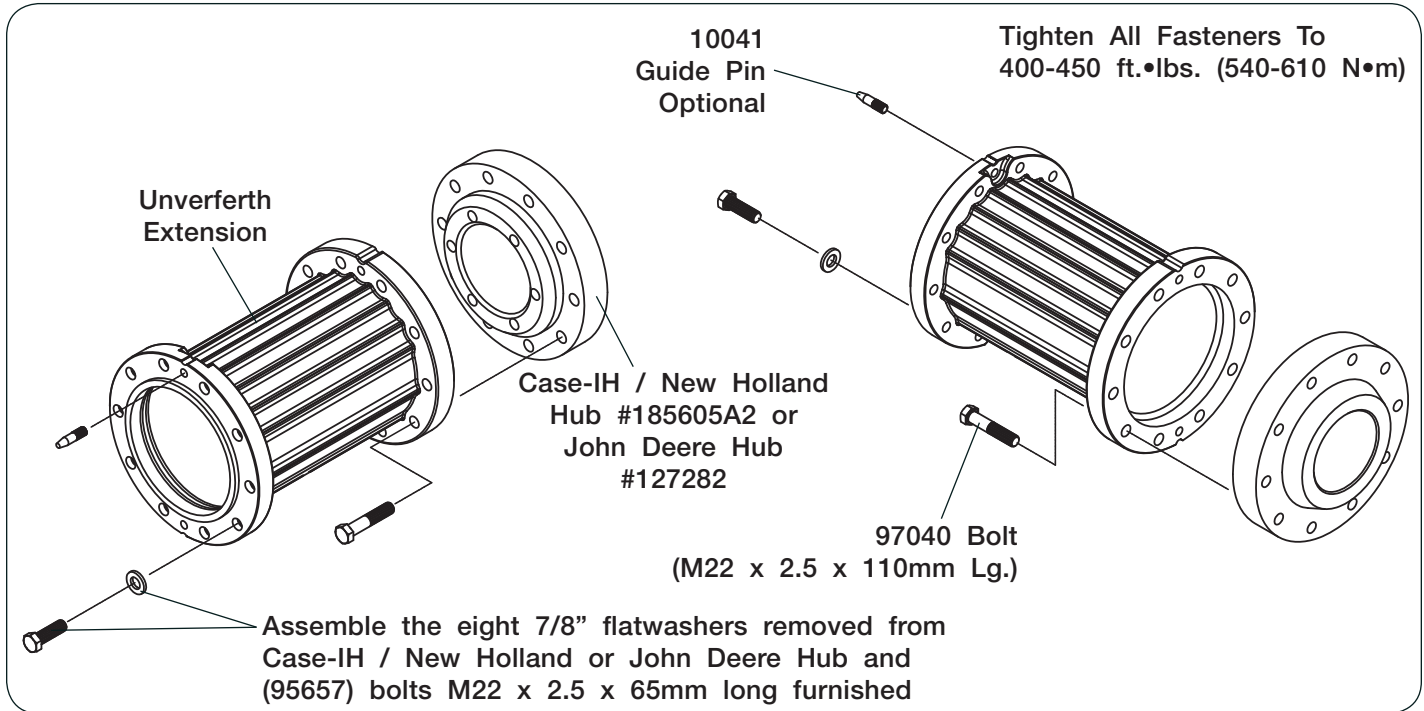
Unverferth
Extension

95658
Capscrew
(M22 x 2.5 x 150mm Lg.)

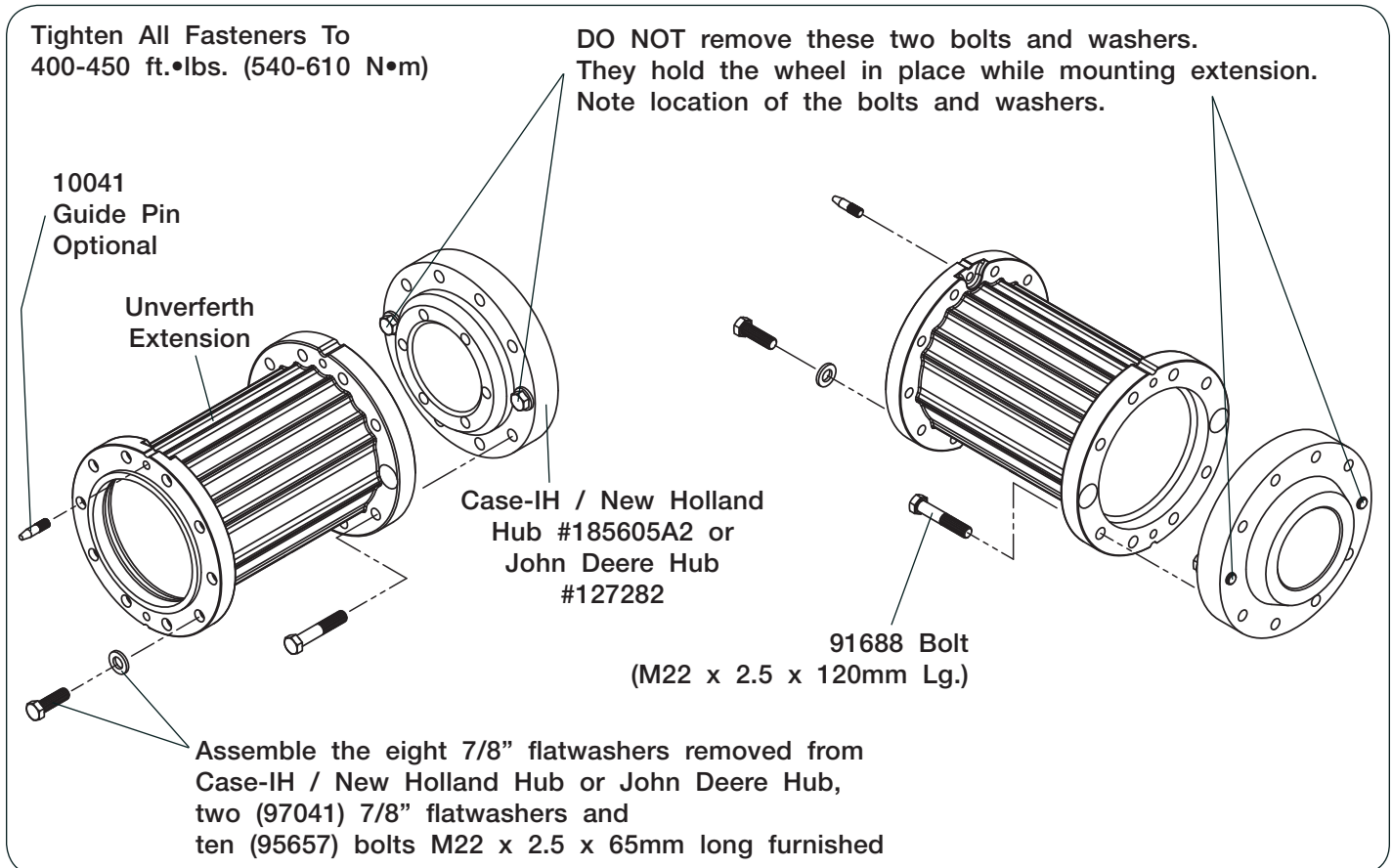


Assembly of Unverferth 10-Bolt Hub Extensions to Case-IH / New Holland OEM Hub #185605A2 or John Deere OEM Hub #127282

Hardware Bundle #14503 for Dual Wheel Applications

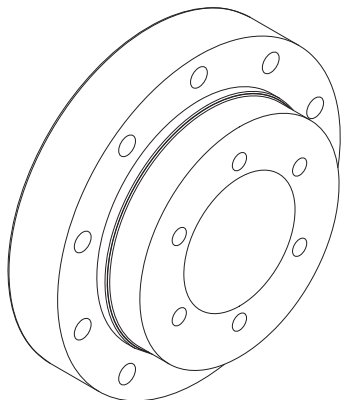


Hardware Bundle #14504 for Triple Wheel Applications



Extensions for OE Direct-Axle Hubs for John Deere with Factory Hub #111007

NOTE: This hub is primarily used on 70 Series & 9000 Series Four Wheel Drives for the Dual Wheel of a Triple Application.

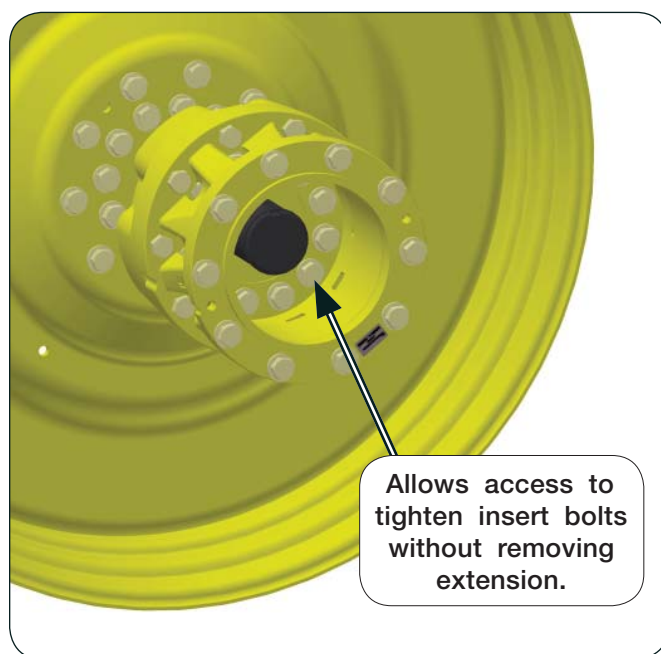
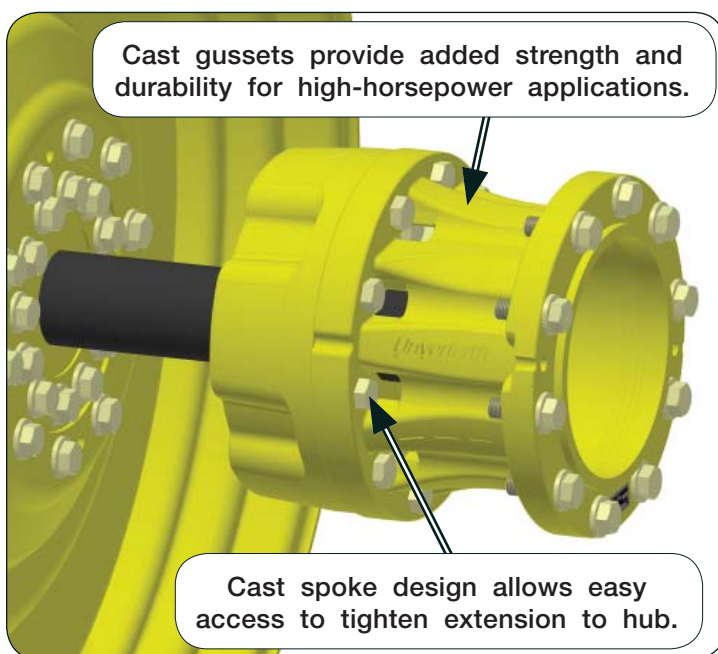
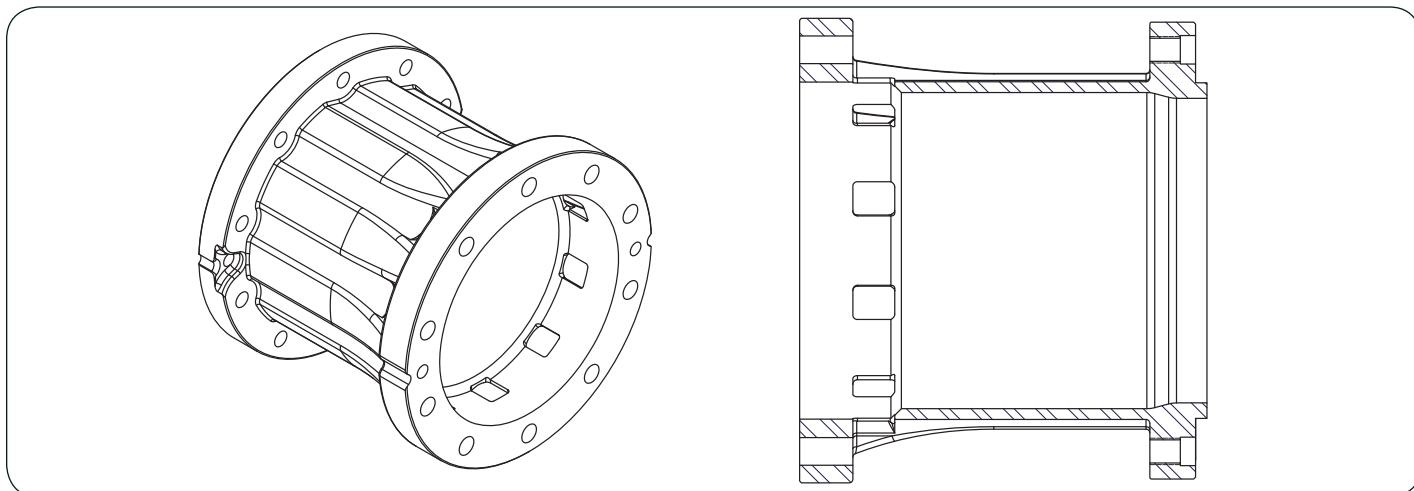


When this John Deere hub is mounted on the tractor axle as a dual hub, the extensions from Section 23 should be used, please inquire.

Extensions for OE Direct-Axle Hubs for John Deere with Factory Heavy Duty Hub

For John Deere with Factory Hub #R192506 & #R299784

NOTE: Utilized on 7820, 7830, 7920, 7930, 7R Series, 8020 Series, 8030 Series, 8R Series, 9020 Series, 9030 Series and 9R Series tractors.



10-Bolt Extension with 13 3/16" (335mm) Bolt Circle

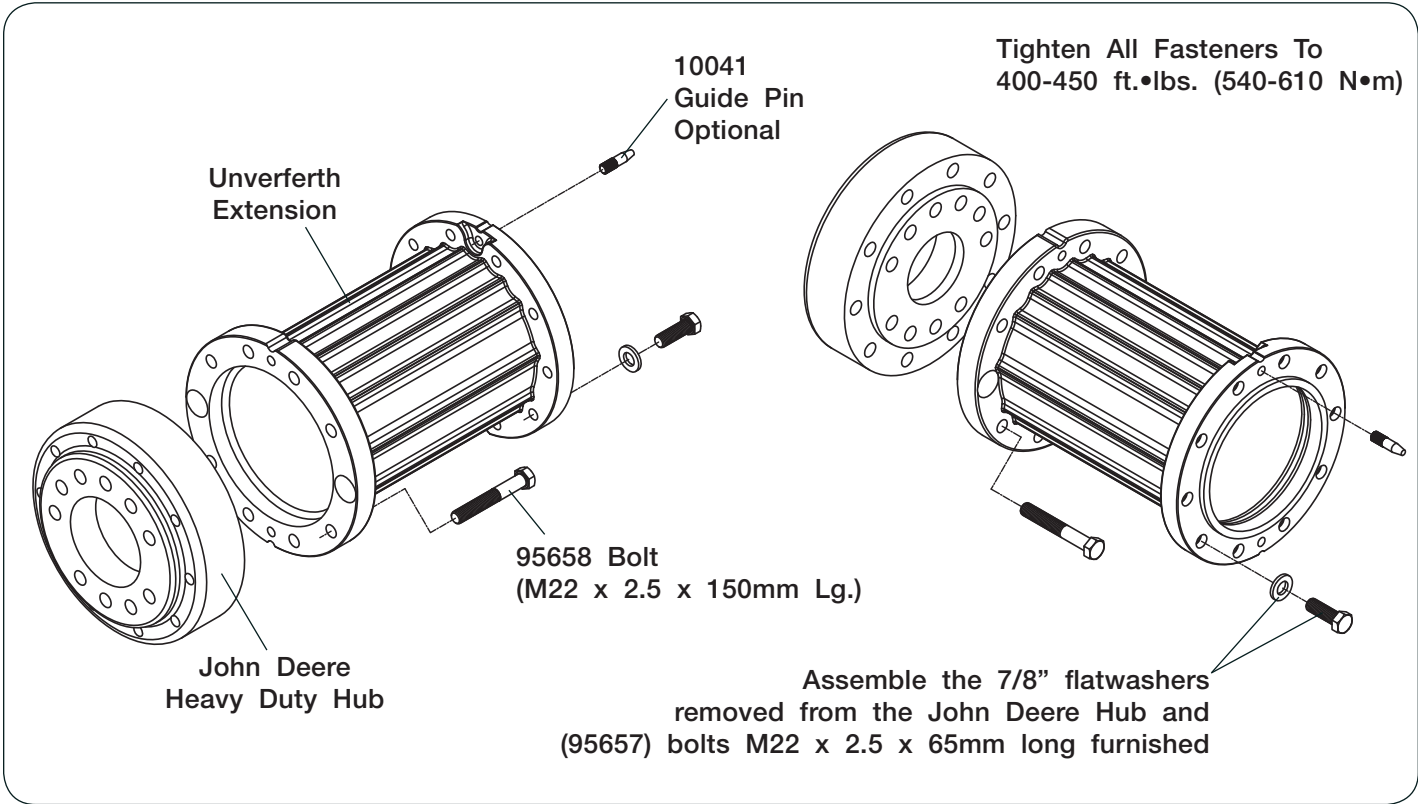
Dual Applications

NOTE: These extensions include the appropriate hardware to bolt extensions to 22mm threaded hubs.

Description	Approximate Weight	Stock Number
10" Long - 22mm threads with Hardware	127 lbs.	19474Y
13" Long - 22mm threads with Hardware	144 lbs.	19475Y

Assembly of Unverferth 10-Bolt Hub Extensions to John Deere OEM Heavy Duty Hub

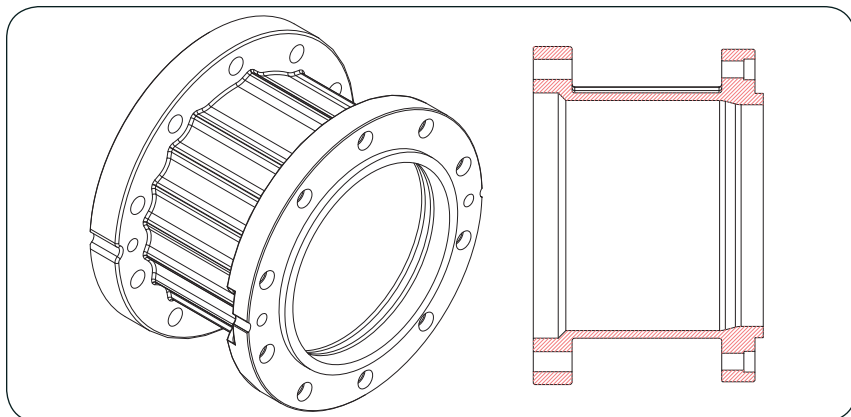
Hardware Bundle #15978 for Dual Wheel Applications



Extensions for OE Direct-Axle Hubs for John Deere with Factory Heavy Duty Hub

#R192506 & #R299784

NOTE: Utilized on 7820, 7830, 7920, 7930, 8020 Series, 8030 Series, 8R Series, 9020 Series and 9030 Series tractors.



10-Bolt Extension with 13 3/16" (335mm) Bolt Circle

Dual Applications

NOTE: These extensions include the appropriate hardware to bolt extensions to 22mm threaded hubs.

Description	Approximate Weight	Stock Number
5" Long - 22mm threads with Hardware	113 lbs.	15965
8" Long - 22mm threads with Hardware	115 lbs.	14716
10" Long - 22mm threads with Hardware	119 lbs.	15966
13" Long - 22mm threads with Hardware	132 lbs.	15967
15" Long - 22mm threads with Hardware	140 lbs.	15968
19.5" Long - 22mm threads with Hardware	158 lbs.	15969
21.5" Long - 22mm threads with Hardware	167 lbs.	15970

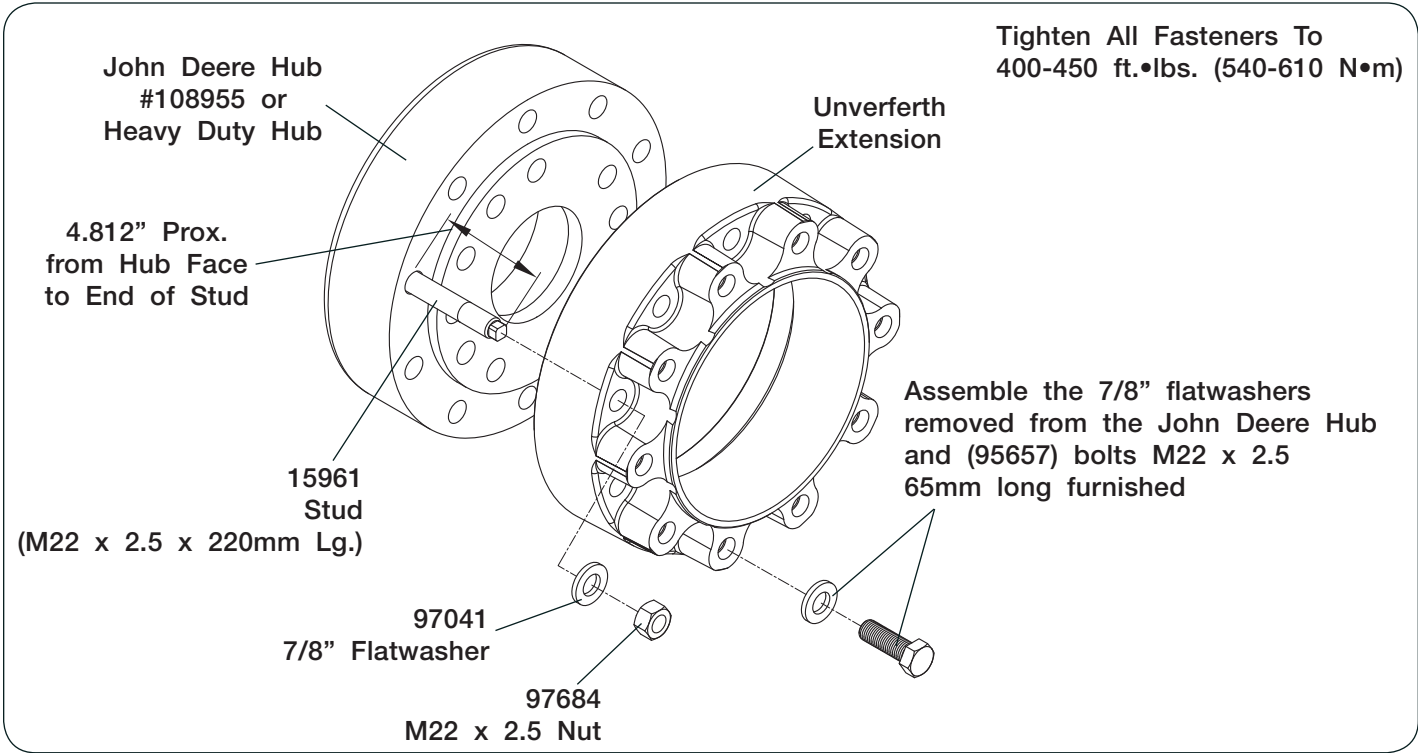
Triple Applications

NOTE: These extensions have (2) opposing holes, 1.875" dia., which allow the extension to be mounted over the dual wheel disc, then fastened with the 8 remaining bolts through the extension and wheel disc then into the hub. The triple wheel then mounts on the opposite end of the extension. These extension include the appropriate hardware to bolt extensions to 22mm threaded hubs.

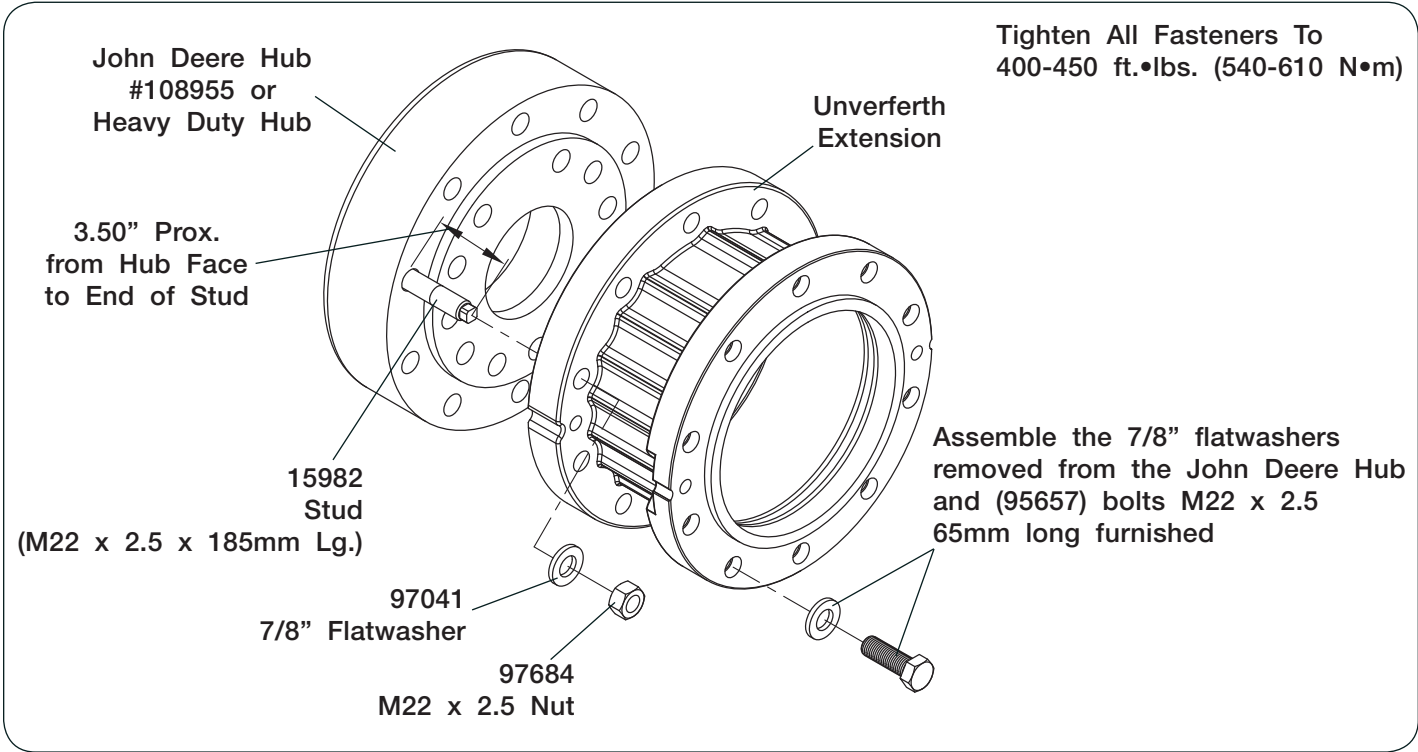
Description	Approximate Weight	Stock Number
19.5" Long - 22mm threads with Hardware	154 lbs.	15971
21.5" Long - 22mm threads with Hardware	163 lbs.	15972
29.5" Long - 22mm threads with Hardware	178 lbs.	17791Y

Assembly of Unverferth 10-Bolt 5" & 8" Hub Extensions to John Deere OEM Hub #108955 or Heavy Duty Hub

Hardware Bundle #15962 for Dual Wheel Applications

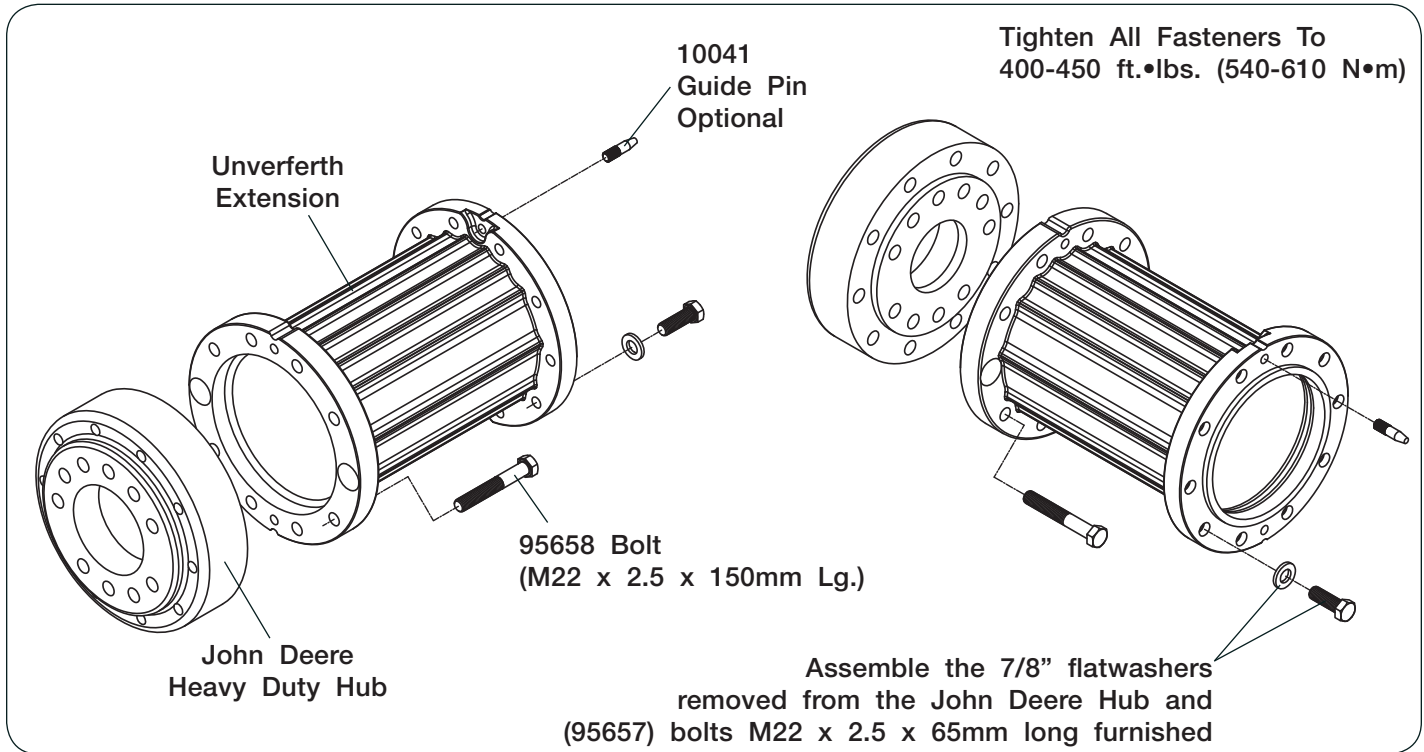


Hardware Bundle #15985 for Dual Wheel Applications

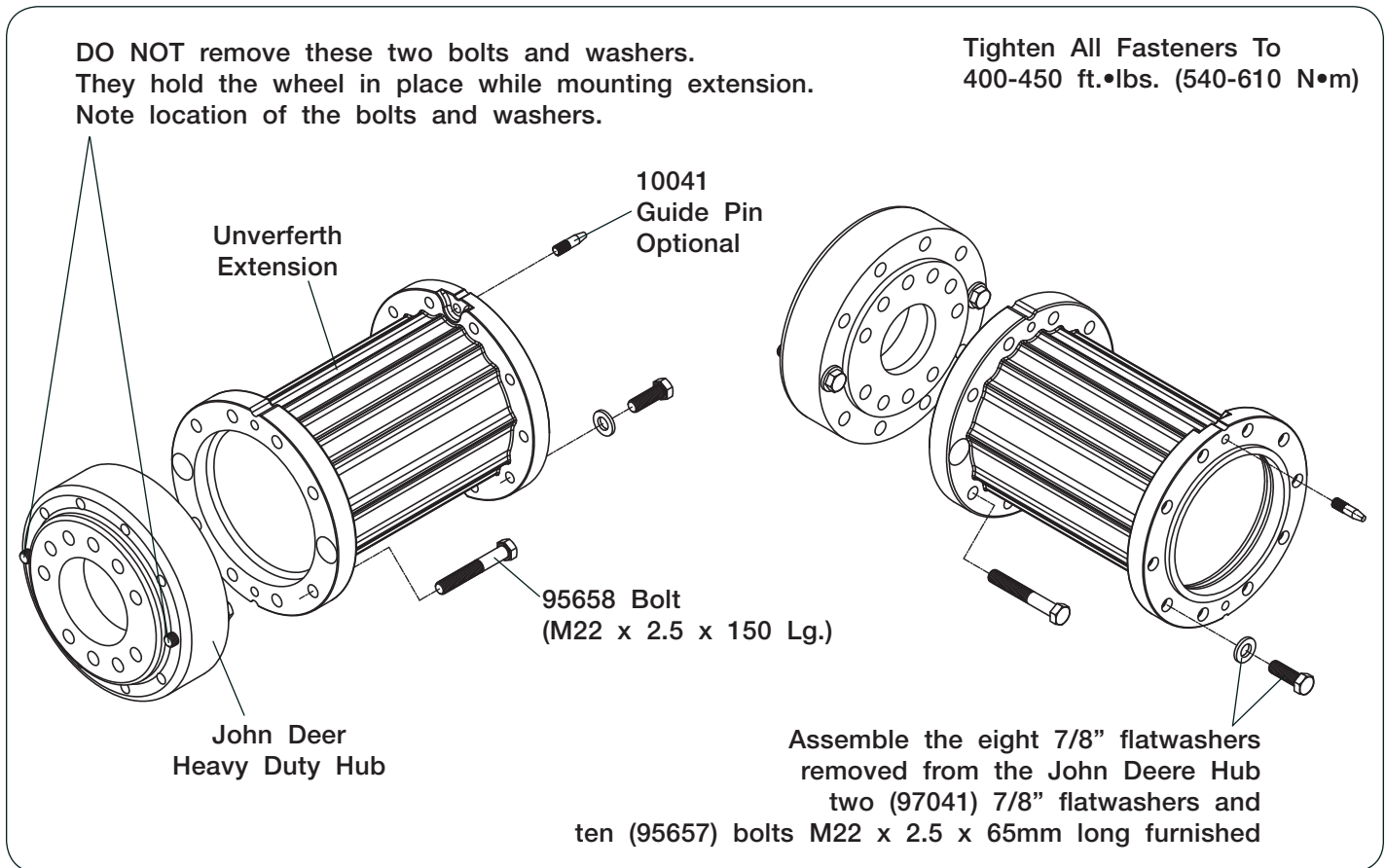


Assembly of Unverferth 10-Bolt Hub Extensions to John Deere OEM Heavy Duty Hub

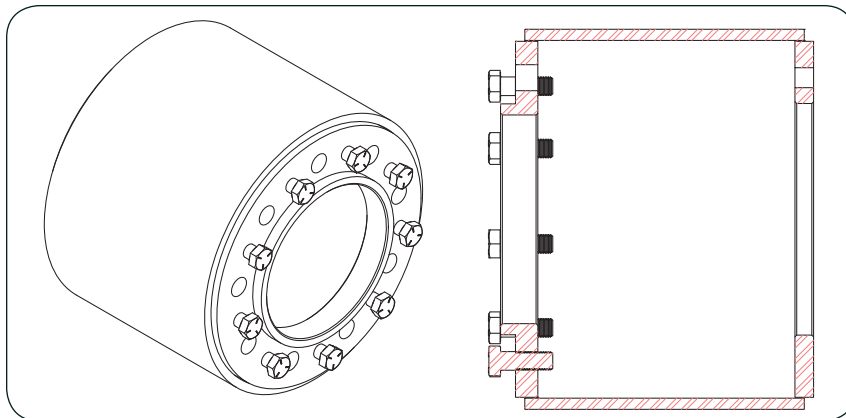
Hardware Bundle #15978 for Dual Wheel Applications



Hardware Bundle #15979 for Triple Wheel Applications



Extensions for OE Direct-Axle Hubs for John Deere



9-Bolt Extensions with 9 1/2" (241.3mm) Bolt Circle

Dual Applications

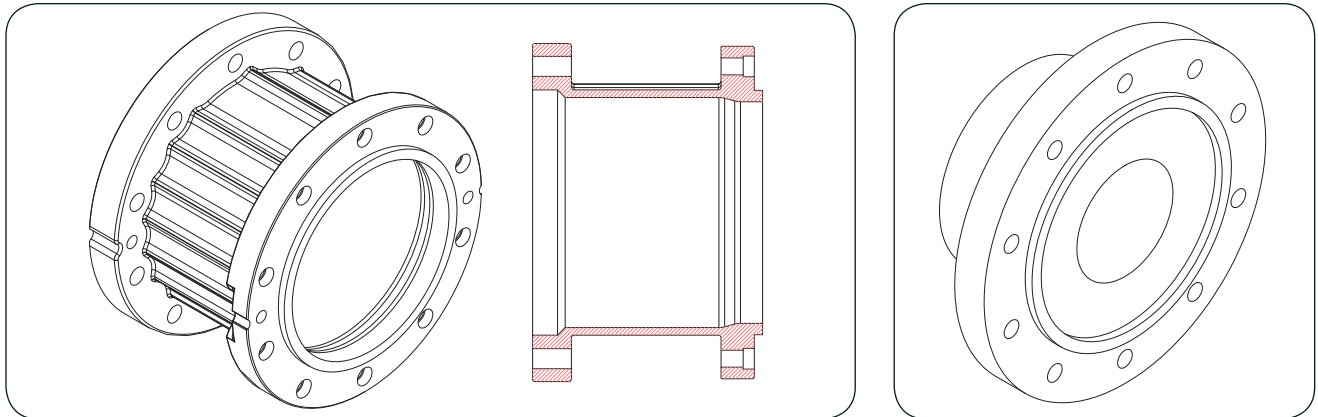
NOTE: These extensions include the appropriate hardware to bolt extensions to 5/8" N.F. threaded hubs.

Description	Approximate Weight	Stock Number
5" (Drum Type) with Hardware	47 lbs.	16837B
10" (Drum Type) with Hardware	67 lbs.	13025

Extensions for OE Direct-Axle Hubs for New Holland and Ford

**(Used on many Prior model Ford / New Holland tractors.
8160, 8260, 8360, 8560, 8670, 8670A, 8770, 8770A, 8870,
8870A, 8970, 8970A)**

NOTE: When the O.E. Dual Hub is mounted in the normal method (long part of the hub inward or towards the tractor) the extensions listed below should be used.



Dual Applications

NOTE: These extensions include the appropriate hardware to bolt extensions to 7/8-14 UNF threaded hubs.

Description	Approximate Weight	Stock Number
5" Long - 22mm threads with Hardware	105 lbs.	14932
8" Long - 22mm threads with Hardware	108 lbs.	14732
10" Long - 22mm threads with Hardware	116 lbs.	14733
13" Long - 22mm threads with Hardware	129 lbs.	14734
15" Long - 22mm threads with Hardware	137 lbs.	14735
19.5" Long - 22mm threads with Hardware	155 lbs.	14736
21.5" Long - 22mm threads with Hardware	164 lbs.	14737

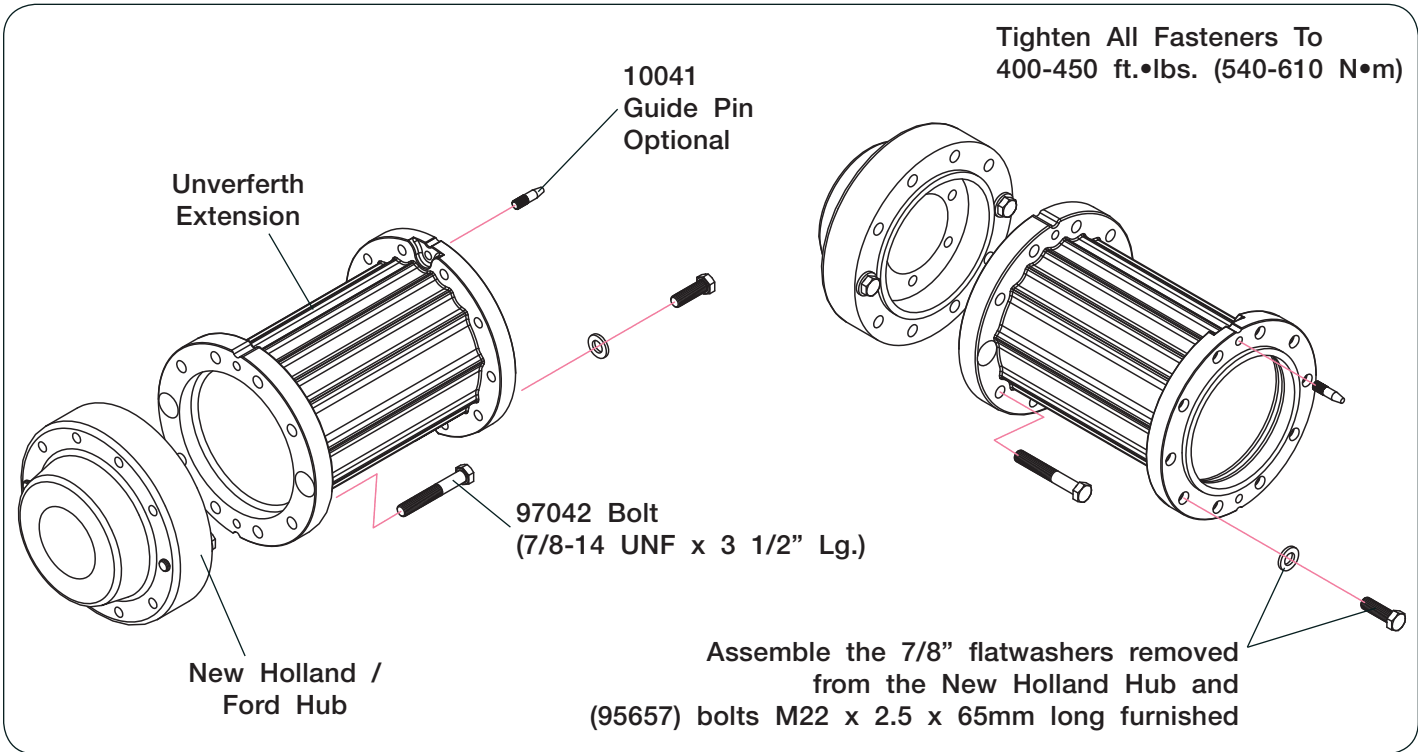
Triple Applications

NOTE: These extensions have (2) opposing holes, 1.875" dia., which allow the extension to be mounted over the dual wheel disc, then fastened with the 8 remaining bolts through the extension and wheel disc then into the hub. The triple wheel then mounts on the opposite end of the extension. These extension include the appropriate hardware to bolt extensions to 7/8" N.C. threaded hubs.

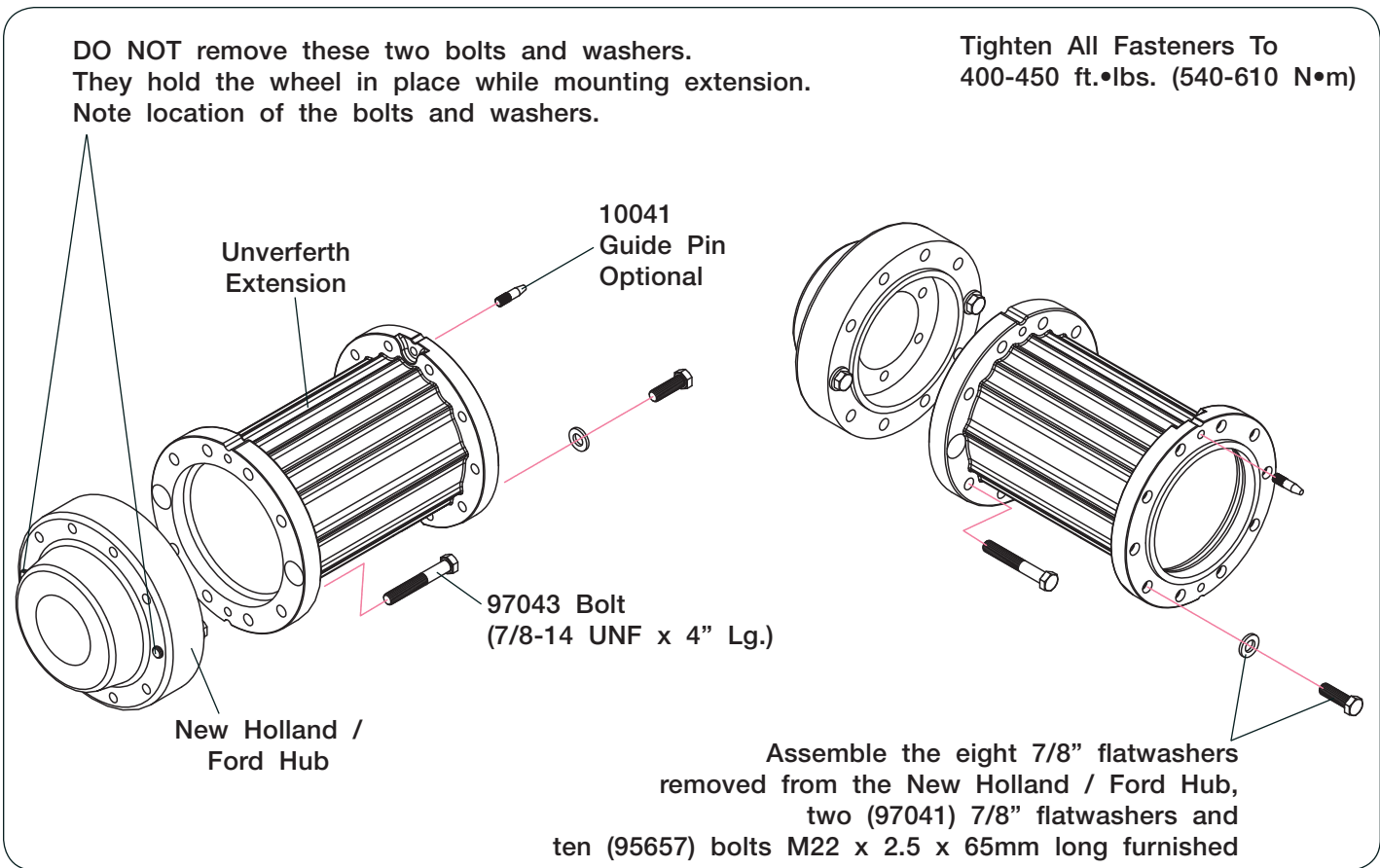
Description	Approximate Weight	Stock Number
19.5" Long - 22mm threads with Hardware	153 lbs.	14738
21.5" Long - 22mm threads with Hardware	161 lbs.	14739

Assembly of Unverferth 10-Bolt Hub Extensions to New Holland / Ford OEM Hub

Hardware Bundle #14702 for Dual Wheel Applications



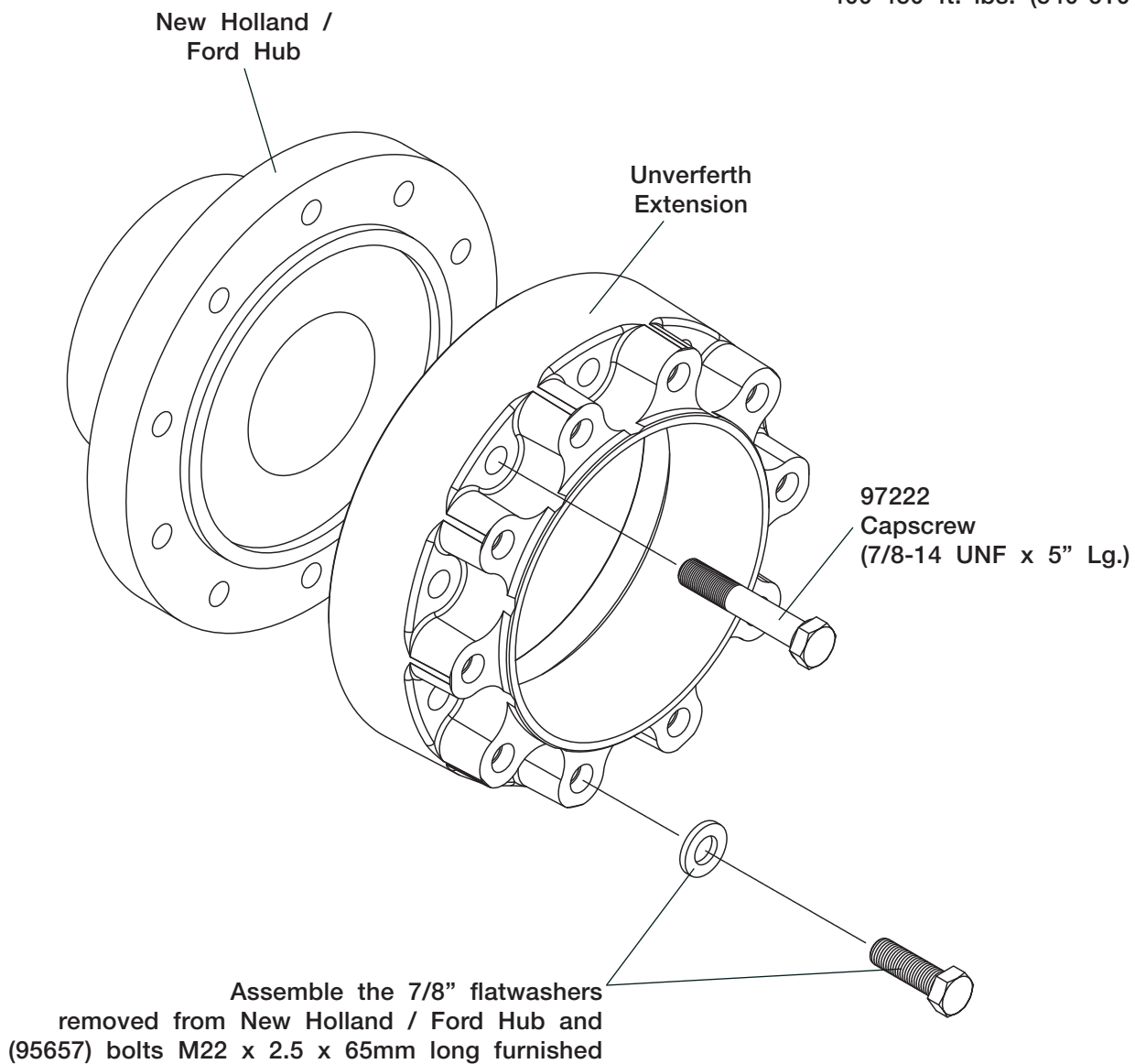
Hardware Bundle #14703 for Triple Wheel Applications



Assembly of Unverferth 10-Bolt 5" Extension to New Holland / Ford OEM Hub

Hardware Bundle #15147 for Dual Wheel Applications

Tighten All Fasteners To
400-450 ft.•lbs. (540-610 N•m)

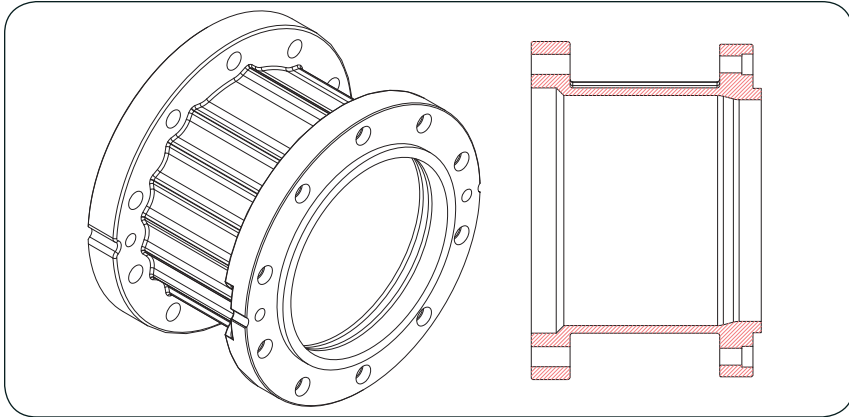


Extensions for OE Direct-Axle Hubs for New Holland with Factory Hub Base

(Used on most current model New Holland tractors including T7000, T8000, T9000, TG & TJ Series tractors.)

Casting #185605A2

NOTE: Utilized on T7000, T8000, T9000, TG & TJ Series tractors.



10-Bolt Extension with 13 3/16" (335mm) Bolt Circle

Dual Applications

NOTE: These extensions include the appropriate hardware to bolt extensions to 22mm threaded hubs.

Description	Approximate Weight	Stock Number
5" Long - 22mm threads with Hardware	106 lbs.	14930
8" Long - 22mm threads with Hardware	109 lbs.	14507
10" Long - 22mm threads with Hardware	117 lbs.	14508
13" Long - 22mm threads with Hardware	129 lbs.	14509
15" Long - 22mm threads with Hardware	138 lbs.	14510
19.5" Long - 22mm threads with Hardware	1568 lbs.	14511
21.5" Long - 22mm threads with Hardware	164 lbs.	14512

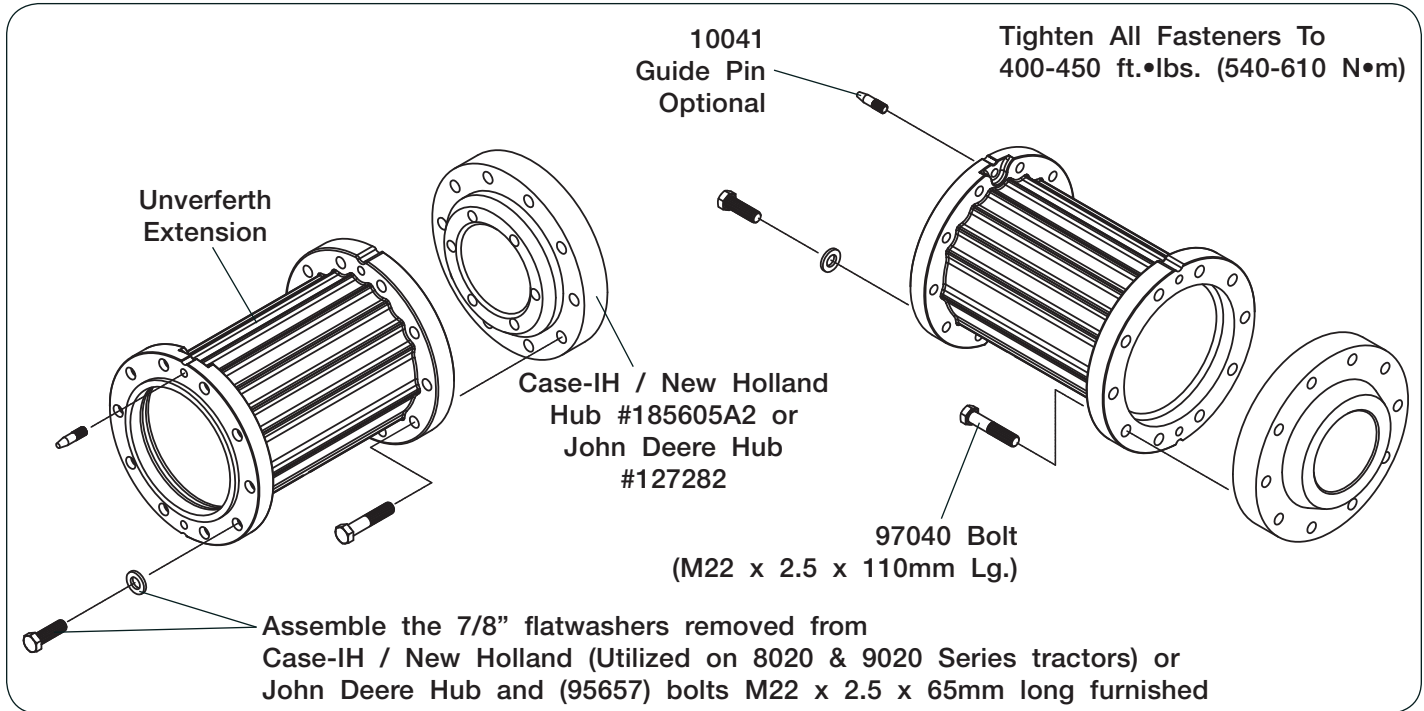
Triple Applications

NOTE: These extensions have (2) opposing holes, 1.875" dia., which allow the extension to be mounted over the dual wheel disc, then fastened with the 8 remaining bolts through the extension and wheel disc then into the hub. The triple wheel then mounts on the opposite end of the extension. These extension include the appropriate hardware to bolt extensions to 22mm threaded hubs.

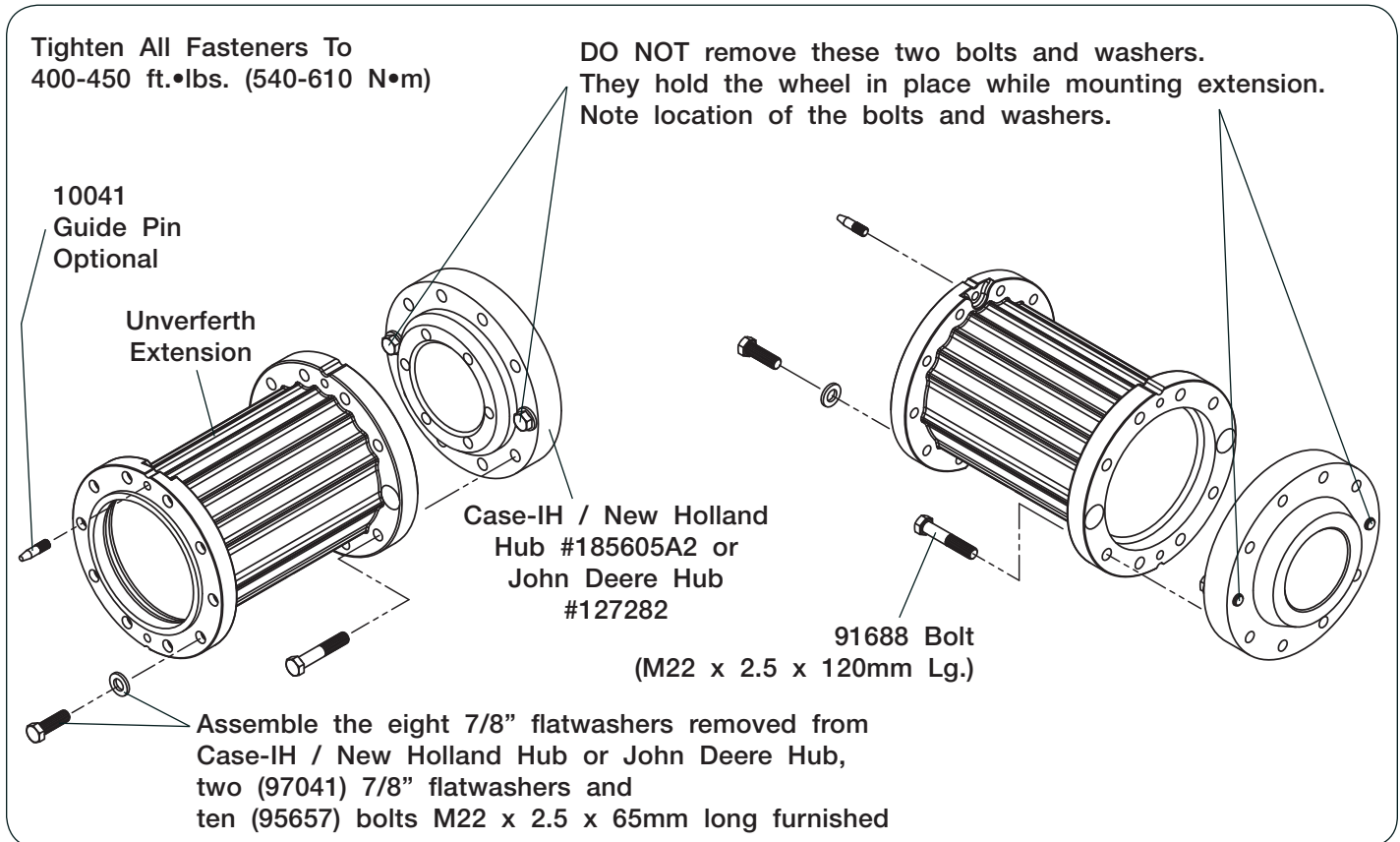
Description	Approximate Weight	Stock Number
19.5" Long - 22mm threads with Hardware	153 lbs.	14519
21.5" Long - 22mm threads with Hardware	161 lbs.	14520
29.5" Long - 22mm threads with Hardware	177 lbs.	17790B

Assembly of Unverferth 10-Bolt Hub Extensions to Case-IH / New Holland OEM Hub #185605A2 or John Deere OEM Hub #127282

Hardware Bundle #14503 for Dual Wheel Applications



Hardware Bundle #14504 for Triple Wheel Applications



Assembly of Unverferth 10-Bolt 5" Hub Extension to Case-IH / New Holland OEM Hub #185605A2 or John Deere OEM Hub #127282

Hardware Bundle #15141 for Dual Wheel Applications

Tighten All Fasteners To
400-450 ft.•lbs. (540-610 N•m)

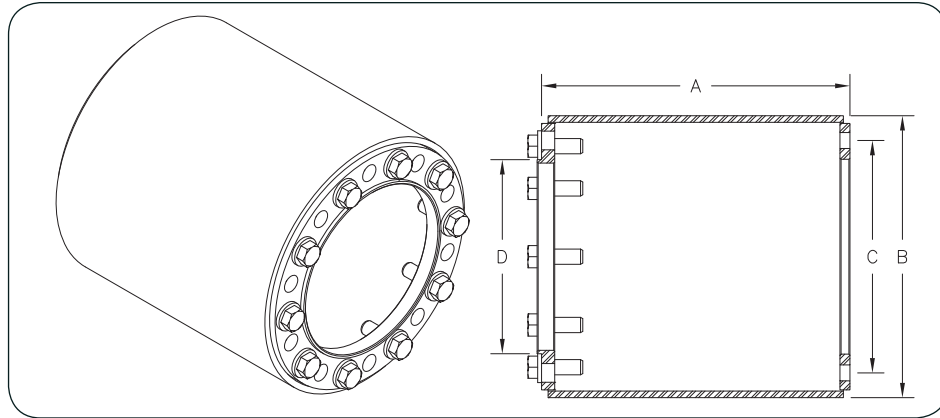
Case-IH / New Holland
Hub #185605A2 or
John Deere Hub
#127282

Unverferth
Extension

95658
Capscrew
(M22 x 2.5 x 150mm Lg.)

Assemble the 7/8" flatwashers removed
from Case-IH / New Holland or John Deere Hub and
(95657) bolts M22 x 2.5 x 65mm long furnished

MFWD Tractor Front Hub Spacers



NOTE: These heavy-duty spacers are used to space the front wheels/tires on the following MFWD tractor models to approximately 120" centers (to straddle four - 30" rows). They are for use in row crop applications such as planting, spraying and cultivating and **ARE NOT** intended for heavy-duty field work or on applications where tractors have auxiliary equipment on the front of the tractor, such as saddle tanks.

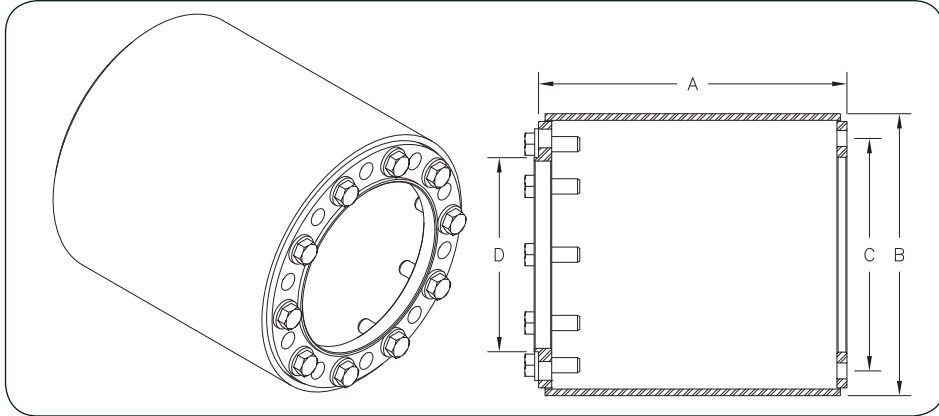
Case-IH

Models	Number of Bolt Holes	Tractor Hub To Hub Measurement	Dimensions				Approximate Weight	Stock Number
			A	B	C	D		
MXM155, MXM175, MXM190, PUMA 115, 125, 130, 140, 145, 155, 160, 165, 170, 180, 185, 195, 200, 210, 215, 225, 230	8	75.67"	15.5"	18.25"	15.944"	14.20"	126 lbs.	17657B
3394, 3594, 7110, 7120, 7130, 7140, 7150, 7210, 7220, 7230, 7240, 7250	10	77.75"	13"	16"	13.187"	11.02"	95 lbs.	11029
8910, 8920, 8930, 8940, 8950	10	74.5"	16"	16"	13.187"	11.02"	111 lbs.	13909
MX150, MX170, MX180, MX200, MX210*, MX215*, MX220, MX230*, MX245*, Magnum 180, 190, 210, 215*, 225*, 235*, 245*	10	74"	16"	16"	13.187"	11.02"	111 lbs.	13909
MX210*, MX215*, MX230*, MX240, MX245*, MX255, MX270, MX275, MX285, MX305, MX335 Magnum 215*, 225*, 235*, 245*, 260, 275, 290, 305, 315, 335, 340, 360	12	74.25"	16"	19.5"	16.732"	14.56"	147 lbs.	15521

* These tractor models had a 10 hole and 12 hole MFD Axle. Please verify with customer before ordering.

** These tractor models had a 8 hole and 10 hole MFD Axle. Please verify with customer before ordering.

MFWD Tractor Front Hub Spacers



NOTE: These heavy-duty spacers are used to space the front wheels/tires on the following MFWD tractor models to approximately 120" centers (to straddle four - 30" rows). They are for use in row crop applications such as planting, spraying and cultivating and **ARE NOT** intended for heavy-duty field work or on applications where tractors have auxiliary equipment on the front of the tractor, such as saddle tanks.

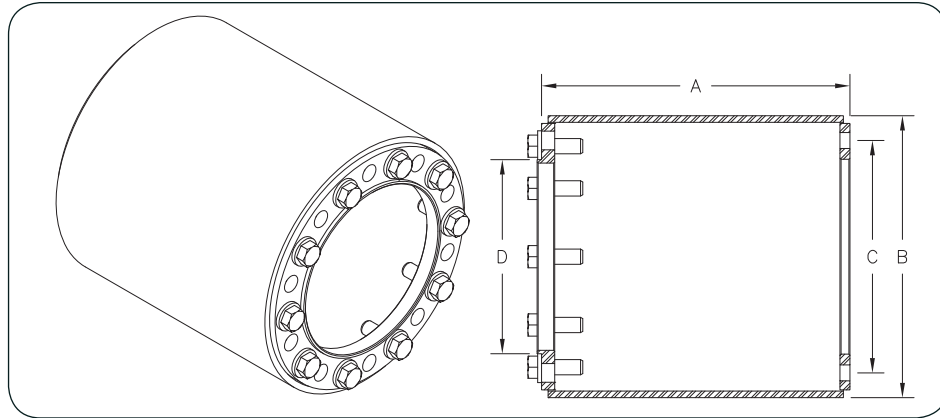
New Holland & Ford

Models	Number of Bolt Holes	Tractor Hub To Hub Measurement	Dimensions				Approximate Weight	Stock Number
			A	B	C	D		
TM150, TM155, TM165, TM175, TM190, T7030, T7040, T7050, T7060, T7070, T7.170, T7.180, T7.185, T7.200, T7.210, T7.235, T7.250, T7.260, T7.270	8	75.67"	15.5"	18.25"	15.944"	14.20"	126 lbs.	17657B
8530, 8630, 8730, 8830 and TW Series Models w/10 Bolt Hubs	10	75"	15.4"	16"	13.187"	11.02"	105 lbs.	11839
8670, 8770, 8870, 8970, TG210*, TG215*, TG230*, TG245*, T8010*, T8020*, T8275*, T8300*	10	74"	16"	16"	13.187"	11.02"	111 lbs.	13909
TG210*, TG215*, TG230*, TG245*, TG255, TG275, TG285, TG305, T8010*, T8020*, T8030, T8040, T8050, T8275*, T8.275, T8300, T8.300, T8330, T8.330, T8360, T8.360, T8390, T8.390	12	74.25"	16"	19.5"	16.732"	14.56"	147 lbs.	15521

* These tractor models had a 10 hole and 12 hole MFD Axle. Please verify with customer before ordering.

** These tractor models had a 8 hole and 10 hole MFD Axle. Please verify with customer before ordering.

MFWD Tractor Front Hub Spacers



NOTE: These heavy-duty spacers are used to space the front wheels/tires on the following MFWD tractor models to approximately 120" centers (to straddle four - 30" rows). They are for use in row crop applications such as planting, spraying and cultivating and **ARE NOT** intended for heavy-duty field work or on applications where tractors have auxiliary equipment on the front of the tractor, such as saddle tanks.

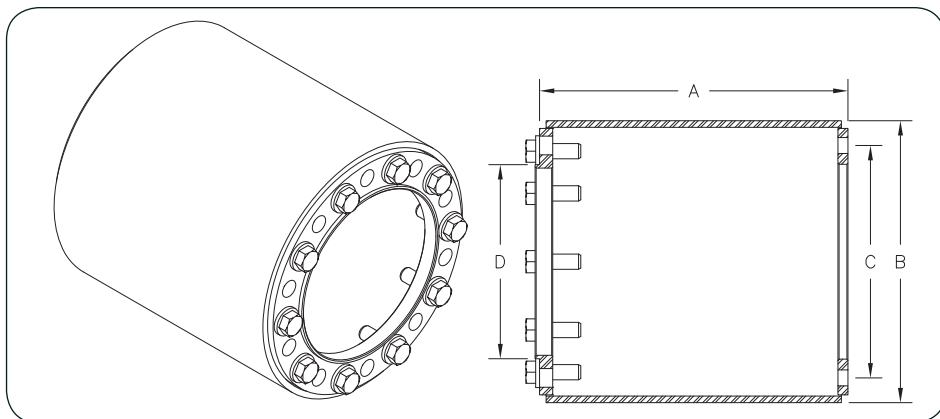
White, AGCO-White, AGCO-Allis, AGCO, Challenger & Fendt

Models	Number of Bolt Holes	Tractor Hub To Hub Measurement	Dimensions				Approximate Weight	Stock Number
			A	B	C	D		
6175*, 8310, 8410, 8510, 8610, 9670*, 9675*, 9735, 9745, 9755, 9765, RT130, RT145, DT160, DT180, DT180A, DT200A, MT545, MT555, MT565, MT575, MT585, MT595, MT635, MT645, 712**, 714**, 716**, 718, 720, 722, 724, 815, 817, 818, 822, 824, 826, 828	10	74.5"	16"	16"	13.187"	11.02"	112 lbs.	15522
195 / 6195, 6175*, 6215, 8710, 8810, 9170, 9190, 9670*, 9675*, 9690, 9695, 9775, 9785, 9815, DT200, DT205B, DT220A, DT225, DT225B, DT240A, DT250B, DT275B, MT645C, MT645D, MT655, MT655C, MT655D, MT665, MT665C, MT665D, MT675C, MT675D, MT685D, 920, 922, 924, 926, 927, 930, 933, 936, 939	12	74.5"	16.75"	19.5"	16.732"	14.56"	153 lbs.	11719

* These tractor models had a 10 hole and 12 hole MFD Axle. Please verify with customer before ordering.

** These tractor models had a 8 hole and 10 hole MFD Axle. Please verify with customer before ordering.

MFWD Tractor Front Hub Spacers



NOTE: These heavy-duty spacers are used to space the front wheels/tires on the following MFWD tractor models to approximately 120" centers (to straddle four - 30" rows). They are for use in row crop applications such as planting, spraying and cultivating and **ARE NOT** intended for heavy-duty field work or on applications where tractors have auxiliary equipment on the front of the tractor, such as saddle tanks.

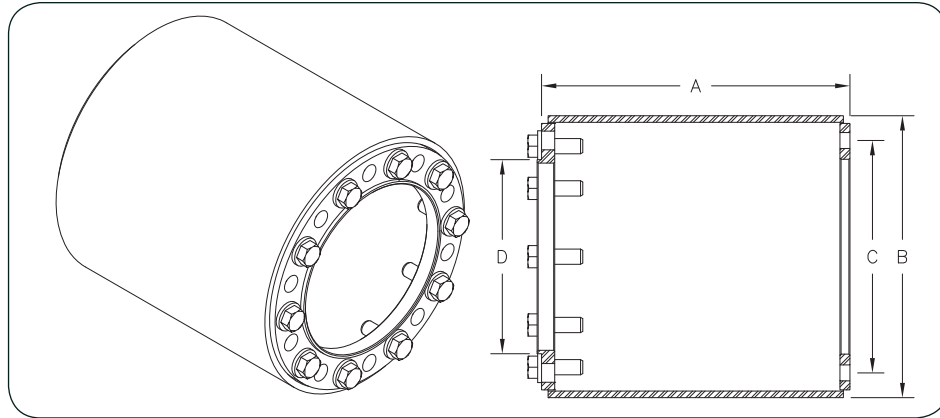
Massey-Ferguson

Models	Number of Bolt Holes	Tractor Hub To Hub Measurement	Dimensions				Approximate Weight	Stock Number
			A	B	C	D		
6480, 6485, 6490, 6495, 6497, 6499, 7480, 7485, 7490, 7495, 7499, 7619, 7620, 7622, 7624, 8220, 8240, 8245, 8250, 8260, 8450, 8460	10	74.5"	16"	16"	13.187"	11.02"	112 lbs.	15522
8270, 8280, 8470, 8480, 8650, 8660, 8670, 8680	12	74.5"	16.75"	19.5"	16.732"	14.56"	153 lbs.	11719

* These tractor models had a 10 hole and 12 hole MFD Axle. Please verify with customer before ordering.

** These tractor models had a 8 hole and 10 hole MFD Axle. Please verify with customer before ordering.

MFWD Tractor Front Hub Spacers



NOTE: These heavy-duty spacers are used to space the front wheels/tires on the following MFWD tractor models to approximately 120" centers (to straddle four - 30" rows). They are for use in row crop applications such as planting, spraying and cultivating and **ARE NOT** intended for heavy-duty field work or on applications where tractors have auxiliary equipment on the front of the tractor, such as saddle tanks.

John Deere

Models	Number of Bolt Holes	Tractor Hub To Hub Measurement	Dimensions				Approximate Weight	Stock Number
			A	B	C	D		
4555, 4755, 4955 and Late Models 4650 and 4850 (91" treadwidth)	12	73.75"	14.5"	19.5"	16.732"	14.56"	138 lbs.	11032
4650, 4850, 4560, 4760, 4960 (86" treadwidth)	12	74"	16.75"	19.5"	16.732"	14.56"	153 lbs.	11719
7330*, 7430*, 7530*, 7630**, 7720*, 7730**, 7820*, 7830**, 7920, 7930, 7200R**, 7210R, 7215R**, 7230R, 7250R, 7260R, 7270R, 7280R, 7290R, (88" treadwidth), 8000, 8010, 8020, 8030, 8R Series	12	74.25"	16"	19.5"	16.732"	14.56"	148 lbs.	14378
4050, 4055, 4250, 4255, 4450, 4455	10	72.25"	17.5"	16"	13.187"	11.02"	120 lbs.	11034
7130, 7200**, 7210**, 7230, 7330*, 7400**, 7410**, 7430**, 7510, 7530*, 7600, 7610, 7630**, 7700, 7710, 7720*, 7730**, 7800, 7810, 7820*, 7830**, 7200R**, 7215R** (88" treadwidth)	10	74"	16"	16"	13.187"	11.02"	112 lbs.	11874
6140R, 6150M, 6150R, 6170M, 6170R, 6190R, 6210R, 7220**, 7320**, 7420, 7520 (84" treadwidth)	10	70"	18"	16"	13.187"	11.02"	129 lbs.	16832

- * These tractor models had a 10 hole and 12 hole MFD Axle. Please verify with customer before ordering.
- ** These tractor models had a 8 hole MFD Axle. Please verify with customer before ordering. (Refer to page 2-38 for Spacers for 8 hole Fronts.)

MFWD Tractor Front Hub Spacers

ADDITIONAL INFORMATION:

- Be sure to check hub-to-hub measurement and maximum treadwidth on tractor prior to ordering spacers.
- Appropriate attaching hardware (bolts, etc.) is included with above spacers.
- These spacers are designed to provide a tread setting as close to 120" as possible. However, due to the many different wheel, rim, disc and tire options available on MFWD tractors, achieving exactly 120" in all cases is not always possible. Any variations from the 120" treadwidth are minor and generally do not exceed plus or minus an inch or two.
- Some tractors have an optional straight-disc in the wheel in place of the more popular formed-disc. Spacers above are designed to work with the formed-disc type wheel assembly. If you have a straight-disc in your wheel it can either be replaced with a formed-disc to use spacers above, or we can special build a spacer for your application.
- Warranty claims will only be considered on items manufactured by Unverferth Mfg. Co., Inc.



Specialty Spacers

Apache Sprayer

Models	Description & Bolt Circle Information	Length of Spacer	Stock Number
Duals ONLY	Spacer with 10 Holes, .6880, on 13.1870 B.C. w/11.4000 Pilot.	11.25"	18727B
		19.5"	18730B

Case-IH

Models	Description & Bolt Circle Information	Length of Spacer	Stock Number
5100 & 5200 Series Maxxum Front/Rear & MX Maxxum Rear	Spacer with 8 Holes, .9370, on 10.8260 B.C. w/8.7100 Pilot.	8"	12952
		10"	15694
8900 Series Magnum, MX150, MX170, MX180, MX200, MX210*, MX220 & MX230*, Magnum 180, 190, 210, 215*, 225*, 235*, 245* Front	M.F.W.D. Spacer with 10 Holes, .8750, on 13.1870 B.C. w/11.1200 Pilot.	4"	15959B
		10"	15690
		12"	15692
		18"	16528B
MX210*, MX215*, MX230*, MX240, MX245*, MX255, MX270, MX275, MX285, MX305, MX335, Magnum 215*, 225*, 235*, 245*, 260, 275, 290, 305, 315, 335, 360	M.F.W.D. Dual Spacer with 12 Holes, .8750, on 16.7320 B.C. w/14.6500 Pilot.	15.5"	14989B
		21.5"	14991B
		31.625"	18733B
		36"	17531B
JX75, JX85, JX95, JX80U, JX90U, JX100U, MXM120**, MXM130**, MXM140**, MXU100, MXU110, MXU125, Maxxum 110, 115, 120, 125**, 130, 140** Front, Farmall 80, 85U, 90, 95, 95U, 105U, 115U, 125A, 140A	M.F.W.D. Spacer with 8 Holes, .6870, on 12.9920 B.C. w/11.4370 Pilot.	4"	110213B
		8"	110223B
		10"	13171
		12"	17947B

- * These tractor models had a 10 hole and 12 hole MFD Axle. Please verify with customer before ordering.
- ** These tractor models had a 8 hole on 12.992 and 8 hole on 15.944 MFD Axle. Please verify with customer before ordering.
- *** These tractor models had 8 hole on 8.000 and 8 hole on 10.826 rear axle. Please verify with customer before ordering.

Specialty Spacers

Case-IH

Models	Description & Bolt Circle Information	Length of Spacer	Stock Number
Rear Flange Axle JX55, JX60, JX65, JX70, JX75, JX80, JX85, JX90, JX95, JX70U, JX80U, JX90U, JX100U, JX1080U, JX1090U, JX1100U, JX1060C, JX1070C, JX1075C, JX1085C, JX1095C, Farmall 80, 90, 95, 65C, 75C, 85C, 95C, 85U, 95U, 105U***	Spacer with 8 Holes, .7810, on 8.0000 B.C. w/5.9400 Pilot.	6"	16914B
		8"	16915B
		10"	16916B
		12"	16917B
Rear Flange Axle Farmall 110A, 120A, 125A, 140A, MXU100, MXU110, MXU115, MXU125, MXU135, MXM120, MXM130	Spacer with 8 Holes, M18x2.5, on 8.000 B.C. w/5.5100 Pilot.	2"	19424B
Front MFWD MXM120**, MXM130**, MXM140**, MXM155, MXM175, MXM190, Maxxum 110**, 115**, 120**, 125**, 130**, 140**, PUMA 115, 125, 140, 155, 165, 170, 180, 185, 195, 200, 210, 215, 225	M.F.W.D. Spacer with 8 Holes, .6870, on 15.9440 B.C. w/14.2710 Pilot.	4"	110211B
		8"	110220B
		10"	13166
		15.5"	17657B
Front MFWD C50, C60, C70, C80, C90, C100, CX50, CX60, CX70, CX80, CX90, CX100, Farmall 110A, 120A	Spacer with 8 Holes, M18x2.5, on 10.8260 B.C. w/8.7100 Pilot.	4"	110215B
		8"	16577B
		10"	16578B
		12"	16579B
Rear Flange Axle Farmall 105U***, 115U, Maxxum 110***, 115***, 120***, 125***, 130***, 140***, MXM140, MXM155, PUMA 115, 125, 130, 140, 145, 155, 160 Rear Bar Axle w/hub Farmall 110A, 120A, 125A, 140A, MXU100, MXU110, MXU115, MXU125, MXU135, MXM120, MXM130, MXM140, MXM155, Maxxum 110, 115, 120, 125, 130, 140, PUMA 115, 125, 130, 140, 145, 155, 160	Spacer with 8 Holes, M18x2.5, on 10.8260 B.C. w/8.7100 Pilot.	4"	19576B
		8"	16577B
		10"	16578B
		12"	16579B
MX80C, MX90C, MX100C, MX100, MX110, MX120, MX135 MFD Front	Spacer with 8 Holes, .8430, on 10.8260 B.C. w/8.7100 Pilot.	8"	14469B
		10"	14470B
		12"	14471B

* These tractor models had a 10 hole and 12 hole MFD Axle. Please verify with customer before ordering.

** These tractor models had a 8 hole on 12.992 and 8 hole on 15.944 MFD Axle. Please verify with customer before ordering.

*** These tractor models had 8 hole on 8.000 and 8 hole on 10.826 rear axle. Please verify with customer before ordering.

Specialty Spacers

John Deere

Models	Description & Bolt Circle Information	Length of Spacer	Stock Number
Rear Flange Axle 3032E, 3203, 4010, 4100, 4110, 4115, 4200, 4210, 4300, 4310, 4400, 4410 Front MFWD 3032E, 3120, 3320, 3520, 3720, 4200, 4210, 4300, 4310, 4400, 4410, 4500, 4510, 4600, 4610, 4700, 4710	Spacer with 6 Holes, .593Ø, on 6.000Ø B.C. w/4.625Ø Pilot. Utilizes M14-1.5P Cap Screws	6"	16039B
		8"	16040B
		10"	16041B
		12"	16042B
3120, 3320, 3520, 3720, 4500, 4510, 4600, 4610, 4700, 4710 Rear	Spacer with 8 Holes, .593Ø, on 8.000Ø B.C. w/6.010Ø Pilot. Utilizes M14-1.5P Cap Screws	6"	16029B
		8"	16030B
		10"	16031B
		12"	16032B
2wd Front 5103, 5105, 5200, 5203, 5205, 5210, 5220, 5225, 5300, 5303, 5310, 5320, 5325, 5400, 5403, 5410, 5420, 5425, 5500, 5510, 5520, 5525, 5603, 5625, 5045D, 5055D, 5055E, 5065E, 5065M, 5075E, 5075M, 5083E, 5085E, 5085M, 5093E, 5100E, 5100M, 5101E, 5115M	Spacer with 6 Holes, .593Ø, on 6.000Ø B.C. w/4.625Ø Pilot. Utilizes 9/16-18 Tapered Cap Screws	6"	15217
		8"	15218
		10"	15219
		12"	15220
2wd Front 6100D, 6105M, 6105R, 6115D, 6115M, 6115R, 6125M, 6125R, 6130D, 6140D, 6140M, 6150M, 6170M, 6200, 6210, 6220, 6230, 6300, 6310, 6320, 6330, 6400, 6410, 6420, 6430, 6500, 6510, 7210, 7220, 7230, 7330, 7510, 7520, 7610, 7620, 7630, 7710, 7720, 7730, 7810, 7820, 7830	Spacer with 8 Holes, .687Ø, on 8.000Ø B.C. w/6.010Ø Pilot.	15"	17805Y
		6"	12877
		8"	13092
		10"	13843
Rear Flange Axle 5100, 5105, 5200, 5205, 5300, 5400	Spacer with 8 Holes, .593Ø, on 8.000Ø B.C. w/6.010Ø Pilot.	12"	13844
		4"	16169Y
		6"	13974
		8"	13976
Rear Flange Axle 5210, 5220, 5310, 5320, 5410, 5420, 5510, 5520 prior to 11/1/03 (S/N 420000 & lower)	Spacer with 8 Holes, .593Ø, on 8.000Ø B.C. w/6.010Ø Pilot.	10"	13978
		12"	13980
		8"	16571Y
		10"	16572B
Rear Flange Axle 6100, 6110, 6200, 6210, 6300, 6310, 6400, 6405, 6410, 6605 & 6120, 6220, 6320, 6420 (Prior to 11/1/03 SN 420001)	Spacer with 8 Holes, .781Ø, on 8.000Ø B.C. w/6.010Ø Pilot.	12"	16573Y
		2"	17078B
		4"	17078Y
Rear Flange Axle 5220, 5320, 5420, 5520 6120, 6220, 6320, 6420 (after 11/1/03 SN 420001) 5045D, 5045E, 5055D, 5055E, 5065E, 5065M, 5075E, 5075M, 5083E, 5085E, 5085M, 5093E, 5100E, 5100M, 5101E, 5115M, 5225, 5325, 5425, 5525, 5625, 6100D, 6105M, 6105R, 6115D, 6115M, 6115R, 6125M, 6125R, 6130, 6130D, 6140D, 6215, 6230, 6330, 6403, 6415, 6430, 6603, 6615, 6715	Spacer with 8 Holes, .843Ø, on 8.000Ø B.C. w/6.010Ø Pilot.	4"	16793Y
		6"	16792Y
		8"	16164Y
		10"	16165Y
		12"	16166Y

* These tractor models had a 10 hole and 12 hole MFD Axle. Please verify with customer before ordering.

** These tractor models had a 8 hole and 10 hole MFD Axle. Please verify with customer before ordering.

Specialty Spacers

John Deere

Models	Description & Bolt Circle Information	Length of Spacer	Stock Number
Front MFWD 2755, 2955, 3155, 3255, 5045D, 5045E, 5055D, 5055E, 5065E, 5065M, 5075E, 5075M, 5083E, 5085E, 5085M, 5093E, 5100E, 5100M, 5101E, 5115M, 5200, 5210, 5220, 5225, 5300, 5310, 5320, 5325, 5400, 5410, 5420, 5425, 5500, 5510, 5520, 5525, 5625, 6100D, 6105M, 6105R, 6115D, 6125M, 6125R, 6130, 6130D, 6140D, 6215, 6230, 6330, 6403, 6415, 6430, 6603, 6615**, 6715**, 7210**, 7220**, 7320**, 7405**, 7410**	Spacer with 16 Holes, .781Ø, on 10.826Ø B.C. w/8.710Ø Pilot.	2"	12878
	Spacer with 8 Holes, M18x2.5, on 10.826Ø B.C. w/8.710Ø Pilot.	4"	110215Y
		8"	16577Y
		10"	16578Y
		12"	16579Y
Rear Flange Axle 7200, 7210, 7220, 7320, 7400, 7410, 7420, 7520 Rear Bar Axle with Hub 6105M, 6105R, 6125M, 6125R, 6130, 6140M, 6150M, 6140R, 6215, 6230, 6330, 6403, 6415, 6430, 6715, 7130**, 7210, 7220, 7230**, 7320, 7330**, 7405, 7410	Spacer with 8 Holes, .843Ø, on 10.826Ø B.C. w/8.710Ø Pilot.	8"	14469
		10"	14470
		12"	14471
Front MFWD with Bolts 7200, 7400, 7210, 7410, 7510, 7630*, 7720*, 7730*, 7820*, 7830*, 7405**	M.F.W.D. Spacer with 10 Holes, .843Ø, on 13.187Ø B.C. w/11.120Ø Pilot.	4"	15958Y
		8"	17126Y
		10"	14531
		12"	15691
Front MFWD with Studs 6140R, 6150M, 6150R, 6170M, 6170R, 6190R, 6210R, 6615**, 6715**, 7200R*, 7215R*, 7220**, 7230, 7320**, 7330*, 7420, 7520, 7820*	M.F.W.D. Spacer with 10 Holes, .843Ø, on 13.187Ø B.C. w/11.060Ø Pilot.	4"	16829
		8"	17949Y
		10"	16830
		12"	16831
Front MFWD 7330*, 7630*, 7720*, 7730*, 7820*, 7830*, 7920, 7930, 7200R*, 7210R, 7215R*, 7230R, 7250R, 7260R*, 7270R, 7280R, 7290R, 8100, 810, 8120, 8130, 8200, 8210, 8220, 8225R, 8230, 8235R, 8245R, 8260R, 8270R, 8285R, 8295R, 8300, 8310, 8310R, 8320, 8320R, 8330, 8335R, 8345R, 8360R, 8370R, 8400, 8410, 8420, 8520, 8130, 8230, 8330, 8430, 8530	M.F.W.D. Spacer with 12 Holes, .843Ø, on 16.732Ø B.C. w/14.625Ø Pilot.	8"	17129Y
		10"	14340
		12"	17927Y
Front MFWD dual with UM 12 bolt dual wheel 7330*, 7630*, 7720*, 7730*, 7820*, 7830*, 7920, 7930, 7200R*, 7210R, 7215R*, 7230R, 7250R, 7260R*, 7270R, 7280R, 7290R, 8100, 810, 8120, 8130, 8200, 8210, 8220, 8225R, 8230, 8235R, 8245R, 8260R, 8270R, 8285R, 8295R, 8300, 8310, 8310R, 8320, 8320R, 8330, 8335R, 8345R, 8360R, 8370R, 8400, 8410, 8420, 8520, 8130, 8230, 8330, 8430, 8530	M.F.W.D. Spacer with 12 Holes, .875Ø, on 16.732Ø B.C. w/14.650Ø Pilot.	15.5"	14988Y
		21.5"	14990Y
	M.F.W.D. Spacer with 12 Holes, .843Ø, on 16.732Ø B.C. w/14.650Ø Pilot. Both ends.	31.63"	17648Y
		36"	17172Y
Front MFWD dual with John Deere 10 bolt dual wheel 7330*, 7630*, 7720*, 7730*, 7820*, 7830*, 7920, 7930, 7200R*, 7210R, 7215R*, 7230R, 7250R, 7260R*, 7270R, 7280R, 7290R, 8100, 810, 8120, 8130, 8200, 8210, 8220, 8225R, 8230, 8235R, 8245R, 8260R, 8270R, 8285R, 8295R, 8300, 8310, 8310R, 8320, 8320R, 8330, 8335R, 8345R, 8360R, 8370R, 8400, 8410, 8420, 8520, 8130, 8230, 8330, 8430, 8530	M.F.W.D. Spacer with 12 on 16.732Ø B.C. machine end, and 10 on 13.187Ø B.C. dual end	31.63"	18065Y
		36"	18067Y

* These tractor models had a 10 hole and 12 hole MFD Axle. Please verify with customer before ordering.

** These tractor models had a 8 hole and 10 hole MFD Axle. Please verify with customer before ordering.

*** This part number consists of one complete set (4 Extensions and attaching hardware).

Specialty Spacers

John Deere

Models	Description & Bolt Circle Information	Length of Spacer	Stock Number
Front MFWD dual extension for use with UM 12 on 16.7320 dual wheel 8320R, 8345R***, 8370R	M.F.W.D. Spacer with 12 on 19.6850 B.C. machine end, and 12 on 16.7320 B.C. dual end	15.5"	110052Y
		21.5"	110020Y
		31.625"	110055Y
		36"	110058Y
4710, 4720, 4730 Sprayer	Spacer with 10 Holes, .9060, on 13.1870 B.C. w/11.0600 Pilot.	4"	15602
	Dual Spacer with 10 Holes, .9060, on 13.1870 B.C. w/11.0600 Pilot.	17.5"	11034
R4030, R4038, 4830 Sprayer	Spacer with 12 Holes, .9060, on 13.9760 B.C. w/11.8570 Pilot.	3.5"	17797Y
	Dual Spacer with 12 Holes, .9060, on 13.9760 B.C. w/11.8570 Pilot on Machine End. 10 on 13.187 on Dual End.	11.375"	19371Y
		17"	17626Y
4930 Sprayer	Dual Spacer with 12 Holes, .9370, on 15.7500 B.C. w/14.0000 Pilot on Machine End. 10 on 13.187 on Dual End.	19.5"	19490Y
		11"	19388Y
		13"	19374Y
		20"	17650Y

* These tractor models had a 10 hole and 12 hole MFD Axle. Please verify with customer before ordering.

** These tractor models had a 8 hole and 10 hole MFD Axle. Please verify with customer before ordering.

*** This part number consists of one complete set (4 Extensions and attaching hardware).

Specialty Spacers

New Holland and Ford

Models	Description & Bolt Circle Information	Length of Spacer	Stock Number
TV140, TV145	Spacer with 8 Holes, .812Ø, on 8.000Ø B.C. w/5.510Ø Pilot.	4"	14388**
Rear Flange Axle T4020, T4030, T4040, T4050, T5040, T5050, T5060, T5070, TL, TL-A, TN, & TN-A Series, T5.95****, T5.105***, T5.115****	Spacer with 8 Holes, .781Ø, on 8.000Ø B.C. w/5.940Ø Pilot.	6"	16914B
		8"	16915B
		10"	16916B
		12"	16917B
Rear Flange Axle TS6020, TS6030, TS6.110, TS6.120, TS6.125, TS6.140	Spacer with 8 Holes, M18x2.5, on 8.000Ø B.C. w/5.510Ø Pilot.	2"	19424B
Rear Flange Axle T5.95, T5.105, T5.115, TM140****, TM155**** Rear Bar Axle with Hub 8160, 8260, 8360, 8560, T6010, T6020, T6030, T6040, T6050, T6060, T6070, T6080, T6.140, T6.150, T6.160, T6.155, T6.165, T6.175, TM110, TM115, TM120, TM125, TM130, TM135, TM130, TM140, TM155, TS100A, TS115A, TS125A, TS135A, TS6020, TS6030, TS6.110, TS6.120, TS6.125, TS6.140, T7.170, T7.180, T7.200, T7.210	Spacer with 8 Holes, M18x2.5, on 10.826Ø B.C. w/8.710Ø Pilot.	4"	19576B
		8"	16577B
		10"	16578B
		12"	16579B
Front MFWD 8160, 8260, T5040, T5050, T5060, T5070, T6010**, T6020**, T6030**, T6040**, T6050**, T6060**, T6070**, T6080**, TM110, TM115, TM120*, TM125, TM130*, TM135, TM140*, TS100A**, TS115A**, TS125A*, TS135A*, T5.95, T5.105, T5.115, T6.140, T6.150, T6.160, T6.155**, T6.165**, T6.175**	M.F.W.D. Spacer with 8 Holes, .687Ø, on 12.992Ø B.C. w/11.437Ø Pilot.	4"	110213B
		8"	110223B
		10"	13171
		12"	17947B
Front MFWD 8360, 8560, T6.155**, T6.165**, T6.175**, T6010**, T6020**, T6030**, T6040**, T6050**, T6060**, T6070**, T6080**, T7.170, T7.185, T7.200, T7.210, T7.235, T7.250, T7.260, T7.270, T7030, T7040, T7050, T7060, TM120**, TM130**, TM140**, TM150, TM155, TM165, TM175, TM190, TS100A**, TS115A**, TS125A**, TS135A**	M.F.W.D. Spacer with 8 Holes, .687Ø, on 15.944Ø B.C. w/14.271Ø Pilot.	4"	110211B
		8"	110220B
		10"	13166
		15.5"	17657B
70 Series Front (Genesis Series) TG210*, TG230*, T8010*, T8020*, T8275*, T8300*, T8.275*, T8.300*	M.F.W.D. Spacer with 10 Holes, .875Ø, on 13.187Ø B.C. w/11.120Ø Pilot.	10"	15690
		12"	15692
		18"	16528B
TG210*, TG215*, TG230*, TG245*, TG255, TG275, TG285, TG305, T8010*, T8020*, T8030, T8040, T8050, T8275*, T8300*, T8330, T8360, T8390, T8.330, T8.360, T8.390, T8.275*, T8.300*	M.F.W.D. Dual Spacer with 12 Holes, .875Ø, on 16.732Ø B.C. w/14.650Ø Pilot.	15.5"	14989B
		21.5"	14991B
		31.625"	18733B
		36"	17531B
Late Model Rears with .812 straight holes, non Budd type mounting	Spacer with 8 Holes, .812Ø on 8.000Ø B.C. w/5.510Ø Pilot.	8"	14937W
		10"	14938W
		12"	14939W

* These tractor models had a 10 hole and 12 hole MFD Axle. Please verify with customer before ordering.

** These tractor models had a 8 hole on 12.992 and 8 hole on 15.944 MFD Axle. Please verify with customer before ordering.

*** This part number consists of one complete set (4 Extensions and attaching hardware).

**** These tractors had 8 hole on 8.000 rear and 8 hole on 10.826 rear axle. Please verify with customer before ordering.

Specialty Spacers

Deutz - Allis

Models	Description & Bolt Circle Information	Length of Spacer	Stock Number
Front	Spacer with 8 Holes, .846Ø on 8.000Ø B.C. w/5.500Ø Pilot.	6.692" (170 mm)	11795

JCB Fastrac

Models	Description & Bolt Circle Information	Length of Spacer	Stock Number
4000 Front / Rear	Dual Spacer with 10 Holes, on 13.187Ø B.C. w/11.440Ø Pilot.	17"	110258B
7000 Series Front	Dual Spacer with 12 Holes, on 16.732Ø B.C. w/14.620Ø Pilot.	15.5"	17867B
7000 Series Rear	Dual Spacer with 14 Holes, on 12.000Ø B.C. w/9.744Ø Pilot.	12"	17862B
8250 Front	Dual Spacer with 10 Holes, on 17.717Ø B.C. w/15.559Ø Pilot.	21.5"	17779B
8250 Rear	Dual Spacer with 16 Holes, on 19.750Ø B.C. w/17.520Ø Pilot.	29"	17768B

Kubota

Models	Description & Bolt Circle Information	Length of Spacer	Stock Number
M8540, M9540, M95S, M96S, M105S, M105X, M108S, M108X, M125X, M135X Rear	Spacer with 8 Holes, .781Ø, on 8.000Ø B.C. w/6.010Ø Pilot.	8"	16571B
		10"	16572B
		12"	16573B

- * These tractor models had a 10 hole and 12 hole MFD Axle. Please verify with customer before ordering.
- ** These tractor models had a 8 hole on 12.992 and 8 hole on 15.944 MFD Axle. Please verify with customer before ordering.
- *** This part number consists of one complete set (4 Extensions and attaching hardware).

Specialty Spacers

Massey-Ferguson

Models	Description & Bolt Circle Information	Length of Spacer	Stock Number
6170 Rear	Spacer with 8 Holes, .7810, on 8.0000 B.C. w/5.9060 Pilot.	5"	12872

AGCO, Challenger, Massey-Ferguson

NOTE: D in Model number designates a Dyna Shift transmission. Please verify transmission with customer before ordering.

Models	Description & Bolt Circle Information	Length of Spacer	Stock Number
<p align="center">Rear Flange Axle</p> <p>MF: 5425, 5435, 5445, 5460, 5465, 5470, 5475, 5480, 5609, 5610, 6235, 6245, 6255, 6265, 6465, 6475, 6480, 7614, 7615</p> <p>Challenger: MT425B, MT445B, MT455B, MT465B, MT475B, MT485B, MT515D, MT535, MT535BD, MT545, MT545BD</p> <p>AGCO: LT75, LT90, RT95, RT115, RT100D, RT120D</p>	<p align="center">Spacer with 8 Holes, .7810, on 8.0000 B.C. w/5.9400 Pilot.</p>	6"	16914B
		8"	16915B
		10"	16916B
		12"	16917B
<p align="center">Front MFWD</p> <p>MF: 2650HD, 2660HD, 2670HD, 2680HD, 3625, 3635, 3645, 4225, 4235, 4245, 4253, 4255, 4263, 4270, 4325, 4335, 4345, 4355, 4360, 4370, 5425, 5435, 5445, 5455, 5460, 5465, 5470, 5475, 5480, 5609, 5610, 6235, 6245, 6255, 6265, 6270****, 6280****</p> <p>Challenger: MT425B, MT445B, MT455B, MT465B, MT475B, MT485B, MT515D, MT535, MT535BD</p> <p>AGCO: LT75, LT90</p>	<p align="center">Spacer with 8 Holes, M18x2.5, on 10.8260 B.C. w/8.7100 Pilot.</p>	4"	110215B
		8"	16577B
		10"	16578B
		12"	16579B

* These tractor models had a 10 hole and 12 hole MFD Axle. Please verify with customer before ordering.

** These tractor models had a 8 hole on 12.992 and 8 hole on 15.944 MFD Axle. Please verify with customer before ordering.

*** This part number consists of one complete set (4 Extensions and attaching hardware).

Specialty Spacers

White, AGCO-White, AGCO-Allis, AGCO, Challenger, Fendt

Models	Description & Bolt Circle Information	Length of Spacer	Stock Number
<p align="center">Front MFWD</p> <p>MF: 6480, 6485, 6490, 6495, 6497, 6499, 7465HD, 7475HD, 7480, 7485, 7490, 7495, 7499, 7616, 7618, 7619, 7620, 7622, 7624, 7626, 8220, 8240, 8245, 8250, 8260</p> <p>Challenger: MT545, MT565, MT575, MT595, MT635, MT645</p> <p>AGCO: 6175* 8310, 8410, 8510, 8610, 9670*, 9675*, 9735, 9745, 9755</p> <p>Fendt: 712**, 714**, 716**, 815, 817, 818</p>	<p align="center">Spacer with 10 Holes, .9060, on 13.1870 B.C. w/11.1200 Pilot.</p>	8"	17117B
		10"	17118B
		12"	17119B
<p align="center">Front MFWD</p> <p>MF: 8270, 8280, 8470, 8480, 8650, 8660, 8670, 8680, 8690</p> <p>Challenger: MT645C, MT645D, MT655, MT655C, MT655D, MT665, MT665C, MT665D, MT675C, MT665D, MT685D</p> <p>AGCO: 195, 6175**, 6195, 6215, 8710, 8810, 9170, 9190, 9670*, 9675*, 9690, 9695, 9775, 9785, 9815</p> <p>Fendt: 920, 922, 924, 926, 927, 930, 933, 936</p>	<p align="center">Spacer with 12 Holes, .9060, on 16.7320 B.C. w/14.6200 Pilot.</p>	10"	17123B
		12"	17124B
<p align="center">Front MFWD Duals</p> <p>MF: 8270, 8280, 8470, 8480, 8650, 8660, 8670, 8680, 8690</p> <p>Challenger: MT645C, MT645D, MT655, MT655C, MT655D, MT665, MT665C, MT665D, MT675C, MT665D, MT685D</p> <p>AGCO: 195, 6175**, 6195, 6215, 8710, 8810, 9170, 9190, 9670*, 9675*, 9690, 9695, 9775, 9785, 9815</p> <p>Fendt: 920, 922, 924, 926, 927, 930, 933, 936</p>	<p align="center">Spacer with 12 Holes, 1.000, on 16.7320 B.C. w/14.6500 Pilot.</p>	15.5"	16063B
		22"	16060B
		32"	19313B

AGCO-Allis, AGCO-White, Massey-Ferguson, New Holland, Ford

Models	Description & Bolt Circle Information	Length of Spacer	Stock Number
Dual Wheel Hubs	Spacer Plate to adapt Unverferth 190 Series Hub Extension to OE Dual Hub	2"	12318

- * These tractor models had a 10 hole and 12 hole MFD Axle. Please verify with customer before ordering.
- ** These tractor models had a 8 hole on 12.992 and 8 hole on 15.944 MFD Axle. Please verify with customer before ordering.
- *** This part number consists of one complete set (4 Extensions and attaching hardware).

Specialty Spacers

Any

Models	Description & Bolt Circle Information	Length of Spacer	Stock Number
Any	Spacer with 6 Holes, .5930, on 6.0000 B.C. w/4.6250 Pilot. Utilizes 9/16-18 Tapered Cap Screws	6"	15217
		8"	15218
		10"	15219
		12"	15220
Any	Spacer with 8 Holes, .6560, on 8.0000 B.C. w/6.0100 Pilot. Utilizes 5/8-18 Tapered Cap Screws	6"	15299
		8"	15300
		10"	15301
		12"	15302

Valtra Valmet

Models	Description & Bolt Circle Information	Length of Spacer	Stock Number
8000 Series Rear Dual Applications use w/10.437" outset wheel for 30" Rows	Spacer with 8 Holes on 10.8260 B.C. on Machine Side, 10 Holes on 13.1870 B.C. on Dual End	14.625"	16135

Vector

Models	Description & Bolt Circle Information	Length of Spacer	Stock Number
300, 350	Spacer with 10 Holes, M22x2.5-6H, on 13.1870 B.C. w/11.0620 Pilot.	5.00"	18102B

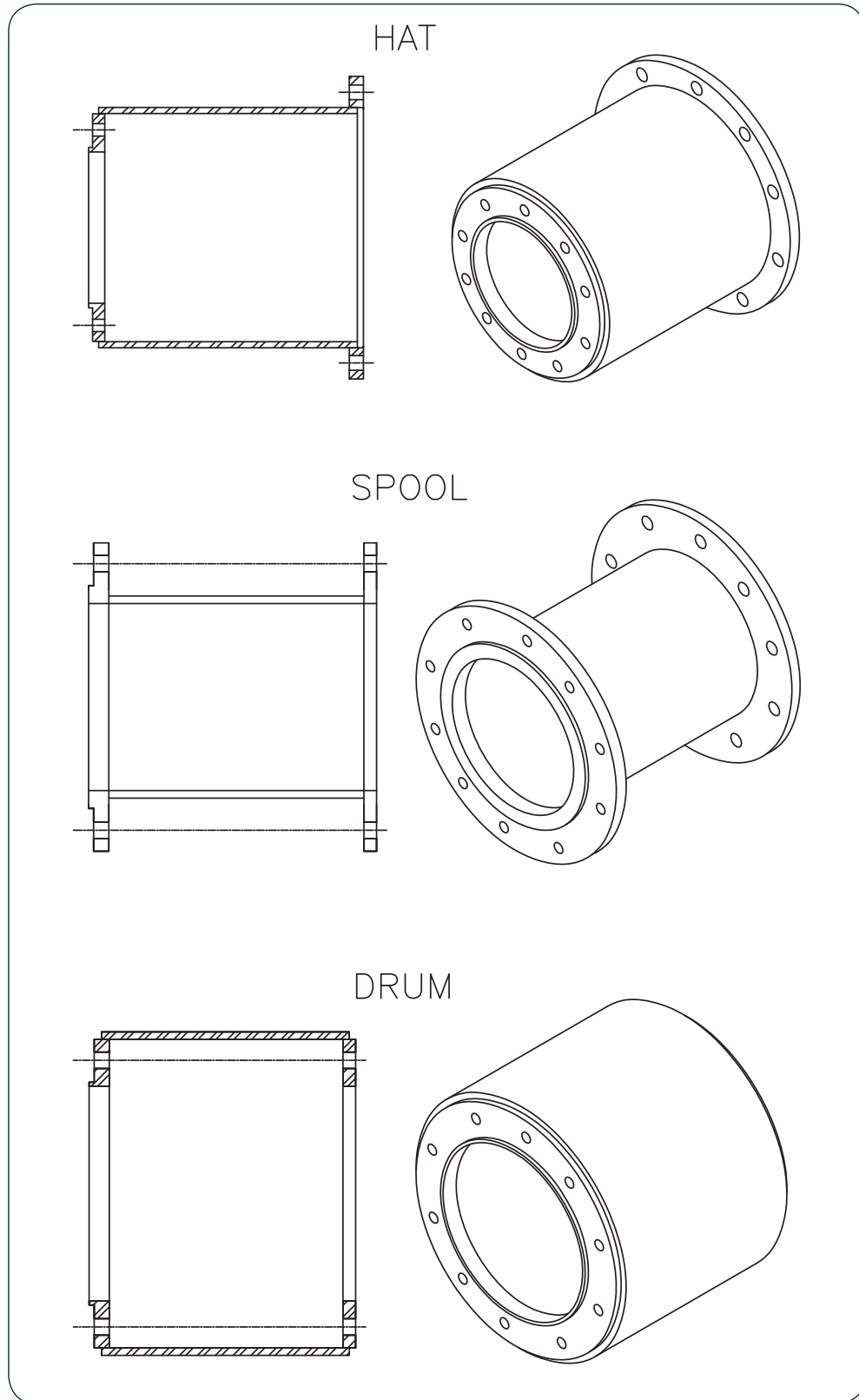
* These tractor models had a 10 hole and 12 hole MFD Axle. Please verify with customer before ordering.

** These tractor models had a 8 hole on 12.992 and 8 hole on 15.944 MFD Axle. Please verify with customer before ordering.

*** This part number consists of one complete set (4 Extensions and attaching hardware).

Custom-Built Spacers

In addition to the many standard extensions/spacers we stock, we also custom build spacers for many speciality applications. Shown below are three basic designs that we custom build. Depending upon the particular application, we supply these custom-built spacers in almost any length, bolt pattern, and/or design. Please refer to Section 23 for additional information.



Notes

SECTION 3: Tractor Open Center T-Rail Duals / Triples

(Click on the Section you would like to navigate to)

Popular T-Rail Snap On & Economy Dual Sets

T-Rail Snap On Dual Sets

T-Rail Economy Dual Sets

T-Rail Rim, Band & Rail Only

MFWD T-Rail Snap On Dual Sets

Small Diameter T-Rail Dual Sets

T-Rail Hooks

T-Rail Clamps & Attaching Units

Eyenuits & Eyebolts

Straddle Row Add-On Bands

Straight Bands & Bell Bands (Replacement Bands)

T-Rail® Open-Center Dual Wheel Systems

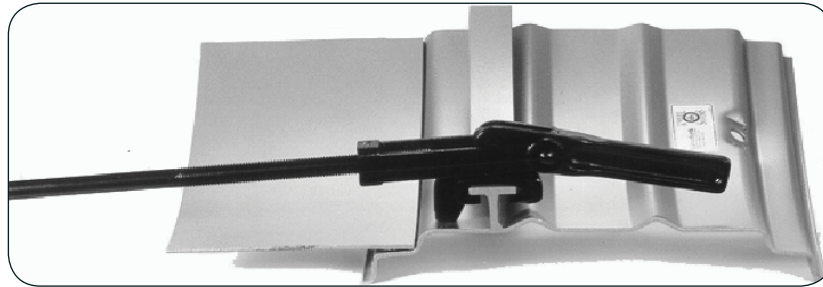
Unverferth's patented T-Rail Dual Wheel Systems are available in either Snap-on style for easiest installation and removal, or the Economy style for semi-permanent applications.

All T-Rail Dual Wheel Systems feature:

- Ductile iron clamp with foot that resists loosening due to vibration.
- Rail is continuously welded to rim for added durability and strength.
- Wedging action between dual wheel band and original wheel rim provides greater holding power.
- Non-alignment installation.
- Heat-treated hooks for additional strength and longer life.
- We DO NOT recommend and WILL NOT warranty T-Rails for use on self-propelled sprayers.

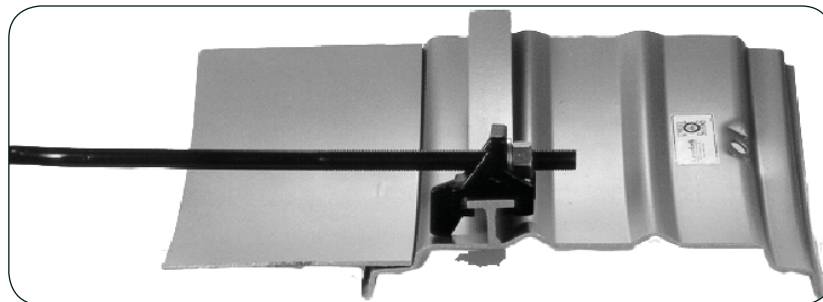
Snap-On T-Rail Dual Wheel feature:

- T-shaped clamps thread onto the hooks and slip over the T-Rail.
- The clamp lever is snapped over, locking dual wheel to drive wheel for easy installation and removal.
- Load is distributed evenly over the entire rim.



Economy T-Rail Dual Wheel feature:

- Economical dual wheel for Semi-Permanent installation.
- Clamps are tightened with nuts.
- Beveled clamps provide 100% contact with spherical washer and nut for firm seating.
- Torque nuts to 110-120 ft. lbs.



T-Rail® Open-Center Dual Wheel Systems

Ordering Information:

The following pages show the various Open-Center Dual Wheel packages available.

1. Determine make and model of tractor and tire size(s) on tractor.
2. Determine customer's preference of Snap-On duals (pages 3-3, 3-4, & 3-5) or Economy-style duals (pages 3-3, 3-6, & 3-7).
3. Select appropriate Eyenuts/Eyebolt from pages 3-18 through 3-29 and Hook length from pages 3-13 through 3-16

T-Rail duals are normally painted Silver Mist. For an additional charge, T-Rail duals may be painted Yellow or White. To order Yellow T-Rail duals, add Y to the end of the stock number. To order White T-Rail duals, add W to the end of the stock number.



Popular Sizes of T-Rail® Open-Center Dual Sets

To determine the correct hook length, please refer to pages 3-13 thru 3-16.

Snap-On Sets

Tire Size		Dual Rim Dimensions		Band Width	Number of Clamps per Side	Approx. Weight per Set	Set Stock Number
On Tractor	To Be Used On Dual	Width	Diameter				
16.9,18.4x38		16"	38"	10" or 12"	6	486 lbs.	RS6-1638
20.8x38, 580/70R38		18"	38"	12"	6	504 lbs.	RS6-1838
18.4x42		16"	42"	12"	8	555 lbs.	RS8-1642*
18.4x42		16"	42"	12"	8	611 lbs.	RS8-1642/38DD*
18.4x42		16"	42"	12"	8	611 lbs.	RS8-1642/38DD281*
20.8x42		18"	42"	12"	8	646 lbs.	RS8-1842*
20.8x42		18"	42"	12"	8	658 lbs.	RS8-1842/38DD*
20.8x42		18"	42"	12"	8	658 lbs.	RS8-1842/38DD281*

Economy Sets

Tire Size		Dual Rim Dimensions		Band Width	Number of Clamps per Side	Approx. Weight per Set	Set Stock Number
On Tractor	To Be Used On Dual	Width	Diameter				
16.9,18.4x38		16"	38"	10" or 12"	6	486 lbs.	RS6-1638
20.8x38, 580/70R38		18"	38"	12"	6	504 lbs.	RS6-1838
18.4x42		16"	42"	12"	8	555 lbs.	RS8-1642*
18.4x42		16"	42"	12"	8	611 lbs.	RS8-1642/38DD*
18.4x42		16"	42"	12"	8	611 lbs.	RS8-1642/38DD281*
20.8x42		18"	42"	12"	8	646 lbs.	RS8-1842*
20.8x42		18"	42"	12"	8	658 lbs.	RS8-1842/38DD*
20.8x42		18"	42"	12"	8	658 lbs.	RS8-1842/38DD281*

* Please refer to page 3-9 for information.

NOTE: Each set of Snap-On Duals includes a Snap-On Handle.

T-Rail® Open-Center Snap-On Dual Sets

The most popular sizes of Open-Center Dual Sets can be found on Page 3-3.

20" Diameter

Tire Size		Dual Rim Dimensions		Band Width	Number of Clamps per Side	Approx. Weight per Set	Set Stock Number
On Tractor	To Be Used On Dual	Width	Diameter				
9.50x20, 10.00x20, 260/80R20, 11.00x20		8"	20"	10"	3	178 lbs.	RS3-820
335/80R20, 360/70R20, 375/75R20		11"	20"	12"	3	211 lbs.	RS3-1120

24" Diameter

Tire Size		Dual Rim Dimensions		Band Width	Number of Clamps per Side	Approx. Weight per Set	Set Stock Number
On Tractor	To Be Used On Dual	Width	Diameter				
9.00x24, 9.50x24, 11.2x24		8"	24"	10"	3	178 lbs.	RS3-824
11.2x24, 11.25x24, 12.4x24, 320/75R24		10"	24"	10"	3	198 lbs.	RS3-1024
13.6x24, 14.9x24		12"	24"	10"	3	218 lbs.	RS3-1224
16.9x24, 18.4x24		15"	24"	10"	3	254 lbs.	RS3-1524

26" Diameter

Tire Size		Dual Rim Dimensions		Band Width	Number of Clamps per Side	Approx. Weight per Set	Set Stock Number
On Tractor	To Be Used On Dual	Width	Diameter				
13.6x26, 14.9x26		12"	26"	10"	3	234 lbs.	RS3-1226
16.9x26		14"	26"	10"	3	252 lbs.	RS3-1426
18.4x26		16"	26"	10"	3	296 lbs.	RS3-1626
23.1x26, 620/75R26		20"	26"	10"	4	348 lbs.	RS4-2026
28L26, 750/65R26		25"	26"	12"	6	446 lbs.	RS6-2526
23.1x26	18.4x30	16"	30"	14"	4	360 lbs.	RSD4-1630-26

28" Diameter

Tire Size		Dual Rim Dimensions		Band Width	Number of Clamps per Side	Approx. Weight per Set	Set Stock Number
On Tractor	To Be Used On Dual	Width	Diameter				
12.4x28, 13.6x28		11"	28"	10"	3	234 lbs.	RS3-1128
13.6x28, 14.9x28, 17.9x28		12"	28"	10"	3	248 lbs.	RS3-1228
14.9x28, 420/70R28		13"	28"	10"	3	260 lbs.	RS3-1328
16.9x28, 18.4x28, 480/70R28		15"	28"	10"	3	284 lbs.	RS3-1528
600/65R28		18"	28"	14"	6	419 lbs.	RS6-1828

To determine the correct hook length, please refer to pages 3-13 thru 3-16.

NOTE: Each Snap-On Dual Wheel Set includes a Snap-On Handle.

T-Rail® Open-Center Snap-On Dual Sets

The most popular sizes of Open-Center Dual Sets can be found on Page 3-3.

30" Diameter

Tire Size		Dual Rim Dimensions		Band Width	Number of Clamps per Side	Approx. Weight per Set	Set Stock Number
On Tractor	To Be Used On Dual	Width	Diameter				
	14.9x30	13"	30"	10"	3	274 lbs.	RS3-1330
	16.9x30, 18.4x30, 480/70R30	15"	30"	10"	3	326 lbs.	RS3-1530
	18.4x30, 480/70R30	16"	30"	10"	3	330 lbs.	RS3-1630
	23.1x30	20"	30"	12"	6	472 lbs.	RS6-2030
	23.1x30 18.4x34	16"	34"	12"	6	424 lbs.	RSD6-1634-30

32" Diameter

Tire Size		Dual Rim Dimensions		Band Width	Number of Clamps per Side	Approx. Weight per Set	Set Stock Number
On Tractor	To Be Used On Dual	Width	Diameter				
	24.5x32, 650/75R32, 30.5x32	21"	32"	12"	6	512 lbs.	RS6-2132
	24.5x32, 30.5x32, 800/65R32	27"	32"	12"	6	600 lbs.	RS6-2732
	24.5x32, 30.5x32	16"	38"	14"	6	492 lbs.	RSD6-1638-32
	24.5x32, 30.5x32	18"	38"	14"	6	516 lbs.	RSD6-1838-32

34" Diameter

Tire Size		Dual Rim Dimensions		Band Width	Number of Clamps per Side	Approx. Weight per Set	Set Stock Number
On Tractor	To Be Used On Dual	Width	Diameter				
	11.2x34, 290/95R34, 320/85R34	10"	34"	10"	4	332 lbs.	RS4-1034
	14.9x34, 385/85R34	13"	34"	10"	4	362 lbs.	RS4-1334
	16.9x34, 18.4x34, 480/70R34, 480/85R34	15"	34"	10"	4	376 lbs.	RS4-1534
	16.9x34, 18.4x34	16"	34"	10"	4	392 lbs.	RS4-1634
	20.8x34	18"	34"	10"	6	438 lbs.	RS6-1834
	23.1x34	20"	34"	12"	6	537 lbs.	RS6-2034
	16.9x34, 18.4x34	12"	38"	10"	4	368 lbs.	RSD4-1238-34
	23.1x34 18.4x38	16"	38"	14"	6	492 lbs.	RSD6-1638-34

To determine the correct hook length, please refer to pages 3-13 thru 3-16.

NOTE: Each Snap-On Dual Wheel Set includes a Snap-On Handle.

T-Rail® Open-Center Snap-On Dual Sets

The most popular sizes of Open-Center Dual Sets can be found on Page 3-3.

36" Diameter

Tire Size		Dual Rim Dimensions		Band Width	Number of Clamps per Side	Approx. Weight per Set	Set Stock Number
On Tractor	To Be Used On Dual	Width	Diameter				
13.6x36, 13.9x36		12"	36"	8"	4	308 lbs.	RS4-1236

38" Diameter

Tire Size		Dual Rim Dimensions		Band Width	Number of Clamps per Side	Approx. Weight per Set	Set Stock Number
On Tractor	To Be Used On Dual	Width	Diameter				
11.2x38, 12.4x38		10"	38"	8"	4	294 lbs.	RS4-1038
12.4x38, 13.6x38		11"	38"	10"	4	340 lbs.	RS4-1138
12.4x38, 13.6x38, 14.9x38		12"	38"	10"	4	352 lbs.	RS4-1238
15.5x38, 16.9x38		14"	38"	10"	4	368 lbs.	RS4-1438
700/65-38, 710/70R38, 750/65-38		23"	38"	16"	8	760 lbs.	RS8-2338

42" Diameter

Tire Size		Dual Rim Dimensions		Band Width	Number of Clamps per Side	Approx. Weight per Set	Set Stock Number
On Tractor	To Be Used On Dual	Width	Diameter				
12.4x42, 320/90R42		9"	42"	8"	6	356 lbs.	RS6-942
12.4x42, 320/90R42		10"	42"	10"	6	450 lbs.	RS6-1042
16.9x42		14"	42"	10"	8	540 lbs.	RS8-1442
620/70R42		20"	42"	14"	8	778 lbs.	RS8-2042
710/70R38	18.4x42	16"	42"	19.25"	8	676 lbs.	RSD8-1642-38
710/70R38	20.8R42 (Michelin) 580/70R42	18"	42"	19.25"	8	722 lbs.	RSD8-1842-38
710/70R42, 750/60-42		23"	42"	16"	8	925 lbs.	RS8-2342

46" Diameter

Tire Size		Dual Rim Dimensions		Band Width	Number of Clamps per Side	Approx. Weight per Set	Set Stock Number
On Tractor	To Be Used On Dual	Width	Diameter				
300/95R46, 12.4x46, 320/90R46		10"	46"	10"	6	466 lbs.	RS6-1046
14.9x46, 380/70R46, 380/90R46, 420/80R46		13"	46"	12"	6	516 lbs.	RS6-1346
18.4x46, 520/85R46		16"	46"	12"	12	616 lbs.	RS12-1646

To determine the correct hook length, please refer to pages 3-13 thru 3-16.

NOTE: Each Snap-On Dual Wheel Set includes a Snap-On Handle.

T-Rail® Open-Center Snap-On Dual Sets

The most popular sizes of Open-Center Dual Sets can be found on Page 3-3.

48" Diameter

Tire Size		Dual Rim Dimensions		Band Width	Number of Clamps per Side	Approx. Weight per Set	Set Stock Number
On Tractor	To Be Used On Dual	Width	Diameter				
9.5x48,	230/95R48	8"	48"	8"	6	412 lbs.	RS6-848
11.2x48,	270/95R48	10"	48"	8"	6	432 lbs.	RS6-1048

50" Diameter

Tire Size		Dual Rim Dimensions		Band Width	Number of Clamps per Side	Approx. Weight per Set	Set Stock Number
On Tractor	To Be Used On Dual	Width	Diameter				
320/90R50		10"	50"	10"	8	604 lbs.	RS8-1050
380/90R50		12"	50"	10"	8	656 lbs.	RS8-1250

52" Diameter

Tire Size		Dual Rim Dimensions		Band Width	Number of Clamps per Side	Approx. Weight per Set	Set Stock Number
On Tractor	To Be Used On Dual	Width	Diameter				
12.4x52		10"	52"	10"	8	482 lbs.	RS8-1052

54" Diameter

Tire Size		Dual Rim Dimensions		Band Width	Number of Clamps per Side	Approx. Weight per Set	Set Stock Number
On Tractor	To Be Used On Dual	Width	Diameter				
12.4x54		10"	54"	10"	8	536 lbs.	RS8-1054

To determine the correct hook length, please refer to pages 3-13 thru 3-16.

NOTE: Each Snap-On Dual Wheel Set includes a Snap-On Handle.

T-Rail® Open-Center Economy Dual Sets

The most popular sizes of Open-Center Dual Sets can be found on Page 3-3.

20" Diameter

Tire Size		Dual Rim Dimensions		Band Width	Number of Clamps per Side	Approx. Weight per Set	Set Stock Number
On Tractor	To Be Used On Dual	Width	Diameter				
9.50x20, 10.00x20, 260/80R20, 11.00x20		8"	20"	10"	3	163 lbs.	RE3-820
335/80R20, 360/70R20, 375/75R20		11"	20"	12"	3	196 lbs.	RE3-1120

24" Diameter

Tire Size		Dual Rim Dimensions		Band Width	Number of Clamps per Side	Approx. Weight per Set	Set Stock Number
On Tractor	To Be Used On Dual	Width	Diameter				
9.00x24, 9.50x24, 11.2x24		8"	24"	10"	3	163 lbs.	RE3-824
11.2x24, 11.25x24, 12.4x24, 320/75R24		10"	24"	10"	3	183 lbs.	RE3-1024
13.6x24, 14.9x24		12"	24"	10"	3	203 lbs.	RE3-1224
16.9x24, 18.4x24		15"	24"	10"	3	239 lbs.	RE3-1524

26" Diameter

Tire Size		Dual Rim Dimensions		Band Width	Number of Clamps per Side	Approx. Weight per Set	Set Stock Number
On Tractor	To Be Used On Dual	Width	Diameter				
13.6x26, 14.9x26		12"	26"	10"	3	219 lbs.	RE3-1226
16.9x26		14"	26"	10"	3	237 lbs.	RE3-1426
18.4x26		16"	26"	10"	3	281 lbs.	RE3-1626
23.1x26, 620/75R26		20"	26"	10"	4	328 lbs.	RE4-2026
28L26, 750/65R26		25"	26"	12"	6	416 lbs.	RE6-2526
23.1x26	18.4x30	16"	30"	14"	4	340 lbs.	RED4-1630-26

28" Diameter

Tire Size		Dual Rim Dimensions		Band Width	Number of Clamps per Side	Approx. Weight per Set	Set Stock Number
On Tractor	To Be Used On Dual	Width	Diameter				
12.4x28, 13.6x28		11"	28"	10"	3	219 lbs.	RE3-1128
13.6x28, 14.9x28, 17.9x28		12"	28"	10"	3	233 lbs.	RE3-1228
14.9x28, 420/70R28		13"	28"	10"	3	245 lbs.	RE3-1328
16.9x28, 18.4x28, 480/70R28		15"	28"	10"	3	269 lbs.	RE3-1528
600/65R28		18"	28"	14"	6	404 lbs.	RE6-1828

To determine the correct hook length, please refer to pages 3-13 thru 3-16.

T-Rail® Open-Center Economy Dual Sets

The most popular sizes of Open-Center Dual Sets can be found on Page 3-3.

30" Diameter

Tire Size		Dual Rim Dimensions		Band Width	Number of Clamps per Side	Approx. Weight per Set	Set Stock Number
On Tractor	To Be Used On Dual	Width	Diameter				
	14.9x30	13"	30"	10"	3	259 lbs.	RE3-1330
	16.9x30, 18.4x30, 480/70R30	15"	30"	10"	3	311 lbs.	RE3-1530
	18.4x30, 480/70R30	16"	30"	10"	3	315 lbs.	RE3-1630
	23.1x30	20"	30"	12"	6	442 lbs.	RE6-2030
	23.1x30 18.4x34	16"	34"	12"	6	394 lbs.	RED6-1634-30

32" Diameter

Tire Size		Dual Rim Dimensions		Band Width	Number of Clamps per Side	Approx. Weight per Set	Set Stock Number
On Tractor	To Be Used On Dual	Width	Diameter				
	24.5x32, 30.5x32, 650/75R32	21"	32"	12"	6	482 lbs.	RE6-2132
	24.5x32, 30.5x32, 800/65R32	27"	32"	12"	6	570 lbs.	RE6-2732
	24.5x32, 30.5x32	16"	38"	14"	6	462 lbs.	RED6-1638-32
	24.5x32, 30.5x32	18"	38"	14"	6	486 lbs.	RED6-1838-32

34" Diameter

Tire Size		Dual Rim Dimensions		Band Width	Number of Clamps per Side	Approx. Weight per Set	Set Stock Number
On Tractor	To Be Used On Dual	Width	Diameter				
	11.2x34, 290/95R34, 320/85R34	10"	34"	10"	4	312 lbs.	RE4-1034
	14.9x34, 385/85R34	13"	34"	10"	4	342 lbs.	RE4-1334
	16.9x34, 18.4x34, 480/70R34, 480/85R34	15"	34"	10"	4	356 lbs.	RE4-1534
	16.9x34, 18.4x34	16"	34"	10"	4	372 lbs.	RE4-1634
	20.8x34	18"	34"	10"	6	408 lbs.	RE6-1834
	23.1x34	20"	34"	12"	6	507 lbs.	RE6-2034
	16.9x34, 18.4x34	12"	38"	10"	4	348 lbs.	RED4-1238-34
	23.1x34 18.4x38	16"	38"	14"	6	462 lbs.	RED6-1638-34

To determine the correct hook length, please refer to pages 3-13 thru 3-16.

T-Rail® Open-Center Economy Dual Sets

The most popular sizes of Open-Center Dual Sets can be found on Page 3-3.

36" Diameter

Tire Size		Dual Rim Dimensions		Band Width	Number of Clamps per Side	Approx. Weight per Set	Set Stock Number
On Tractor	To Be Used On Dual	Width	Diameter				
13.6x36,	13.9x36	12"	36"	8"	4	293 lbs.	RE4-1236

38" Diameter

Tire Size		Dual Rim Dimensions		Band Width	Number of Clamps per Side	Approx. Weight per Set	Set Stock Number
On Tractor	To Be Used On Dual	Width	Diameter				
11.2x38,	12.4x38	10"	38"	8"	4	279 lbs.	RE4-1038
12.4x38,	13.6x38	11"	38"	10"	4	325 lbs.	RE4-1138
12.4x38,	13.6x38, 14.9x38	12"	38"	8"	4	337 lbs.	RE4-1238
15.5x38,	16.9x38	14"	38"	8"	4	353 lbs.	RE4-1438
700/65-38,	710/70R38, 750/65-38	23"	38"	16"	8	730 lbs.	RE8-2338

42" Diameter

Tire Size		Dual Rim Dimensions		Band Width	Number of Clamps per Side	Approx. Weight per Set	Set Stock Number
On Tractor	To Be Used On Dual	Width	Diameter				
12.4x42,	320/90R42	9"	42"	8"	6	336 lbs.	RE6-942
12.4x42,	320/90R42	10"	42"	10"	6	432 lbs.	RE6-1042
16.9x42		14"	42"	10"	8	492 lbs.	RE8-1442
620/70R42		20"	42"	14"	8	730 lbs.	RE8-2042
710/70R38	18.4x42	16"	42"	19.25"	8	628 lbs.	RED8-1642-38
710/70R38	20.8R42 (Michelin) 580/70R42	18"	42"	19.25"	8	674 lbs.	RED8-1842-38
710/70R42,	750/60-42	23"	42"	16"	8	875 lbs	RE8-2342

46" Diameter

Tire Size		Dual Rim Dimensions		Band Width	Number of Clamps per Side	Approx. Weight per Set	Set Stock Number
On Tractor	To Be Used On Dual	Width	Diameter				
300/95R46,	12.4x46, 320/90R46	10"	46"	10"	6	436 lbs.	RE6-1046
14.9x46,	380/70R46, 380/90R46, 420/80R46	13"	46"	12"	6	512 lbs.	RE6-1346
18.4x46,	520/85R46	16"	46"	12"	12	576 lbs.	RE12-1646

To determine the correct hook length, please refer to pages 3-13 thru 3-16.

T-Rail® Open-Center Economy Dual Sets

The most popular sizes of Open-Center Dual Sets can be found on Page 3-3.

48" Diameter

Tire Size		Dual Rim Dimensions		Band Width	Number of Clamps per Side	Approx. Weight per Set	Set Stock Number
On Tractor	To Be Used On Dual	Width	Diameter				
9.5x48,	230/95R48	8"	48"	8"	6	412 lbs.	RE6-848
11.2x48,	270/95R48	10"	48"	8"	6	432 lbs.	RE6-1048

50" Diameter

Tire Size		Dual Rim Dimensions		Band Width	Number of Clamps per Side	Approx. Weight per Set	Set Stock Number
On Tractor	To Be Used On Dual	Width	Diameter				
320/90R50		10"	50"	10"	8	524 lbs.	RE8-1050
380/90R50		12"	50"	10"	8	576 lbs.	RE8-1250

52" Diameter

Tire Size		Dual Rim Dimensions		Band Width	Number of Clamps per Side	Approx. Weight per Set	Set Stock Number
On Tractor	To Be Used On Dual	Width	Diameter				
12.4x52		10"	52"	10"	8	482 lbs.	RE8-1052

54" Diameter

Tire Size		Dual Rim Dimensions		Band Width	Number of Clamps per Side	Approx. Weight per Set	Set Stock Number
On Tractor	To Be Used On Dual	Width	Diameter				
12.4x54		10"	54"	10"	8	496 lbs.	RE8-1054

To determine the correct hook length, please refer to pages 3-13 thru 3-16.

T-Rail® Rim, Band and Rail Only

20" Diameter

Tire Size		Dual Rim Dimensions		Band Width	Dual Spacing	Number of Clamps per Side	Approx. Weight per Set	Previous Stock Number	Set Stock Number
On Tractor	To Be Used On Dual	Width	Diameter						
9.50x20, 10.00x20, 260/80R20, 11.00x20		8"	20"	10"	15.43	3	74 lbs.	R-820	R-10522
335/80R20, 360/70R20, 375/75R20		11"	20"	12"	20.43	3	88 lbs.	R-1120	R-14654

24" Diameter

Tire Size		Dual Rim Dimensions		Band Width	Dual Spacing	Number of Clamps per Side	Approx. Weight per Set	Previous Stock Number	Set Stock Number
On Tractor	To Be Used On Dual	Width	Diameter						
9.00x24, 9.50x24, 11.2x24		8"	24"	10"	16.06	3	77 lbs.	R-824	R-14389
11.2x24, 11.25x24, 12.4x24, 320/75R24		10"	24"	10"	18.06	3	81 lbs.	R-1024	R-14390
13.6x24, 14.9x24		12"	24"	10"	19.37	3	95 lbs.	R-1224	R-14391
16.9x24, 18.4x24		15"	24"	10"	21.73	3	112 lbs.	R-1524	R-14392

26" Diameter

Tire Size		Dual Rim Dimensions		Band Width	Dual Spacing	Number of Clamps per Side	Approx. Weight per Set	Previous Stock Number	Set Stock Number
On Tractor	To Be Used On Dual	Width	Diameter						
13.6x26, 14.9x26		12"	26"	10"	19.44	3	103 lbs.	R-1226	R-10514
16.9x26		14"	26"	10"	21.25	3	109 lbs.	R-1426	R-11645
18.4x26		16"	26"	10"	23.09	3	132 lbs.	R-1626	R-14393
23.1x26, 620/75R26		20"	26"	10"	27.15	4	144 lbs.	R-2026	R-14394
28L26, 750/65R26		25"	26"	12"	33.47	6	194 lbs.	R-2526	R-10529

28" Diameter

Tire Size		Dual Rim Dimensions		Band Width	Dual Spacing	Number of Clamps per Side	Approx. Weight per Set	Previous Stock Number	Set Stock Number
On Tractor	To Be Used On Dual	Width	Diameter						
12.4x28, 13.6x28		11"	28"	10"	18.87	3	107 lbs.	R-1128	R-14397
13.6x28, 14.9x28, 17.9x28		12"	28"	10"	19.42	3	116 lbs.	R-1228	R-14398
14.9x28, 420/70R28		13"	28"	10"	20.92	3	120 lbs.	R-1328	R-14399
16.9x28, 18.4x28, 480/70R28		15"	28"	10"	21.73	3	129 lbs.	R-1528	R-10515
600/65R28		18"	28"	14"	28.72	6	186 lbs.	R-1828	R-13177

T-Rail® Rim, Band and Rail Only

30" Diameter

Tire Size		Dual Rim Dimensions		Band Width	Dual Spacing	Number of Clamps per Side	Approx. Weight per Set	Previous Stock Number	Set Stock Number
On Tractor	To Be Used On Dual	Width	Diameter						
14.9x30		13"	30"	10"	20.05	3	136 lbs.	R-1330	R-10516
				12"	22.05		—	R-16384	
16.9x30, 18.4x30, 480/70R30		15"	30"	10"	22.05	3	148 lbs.	R-1530	R-10517
18.4x30, 480/70R30		16"	30"	10"	23.15	3	152 lbs.	R-1630	R-14400
23.1x30		20"	30"	12"	27.97	6	204 lbs.	R-2030	R-14401

32" Diameter

Tire Size		Dual Rim Dimensions		Band Width	Dual Spacing	Number of Clamps per Side	Approx. Weight per Set	Previous Stock Number	Set Stock Number
On Tractor	To Be Used On Dual	Width	Diameter						
24.5x32, 650/75R32, 30.5x32	24.5x32, 650/75R32	21"	32"	12"	28.97	6	218 lbs.	R-2132	R-14403
24.5x32, 30.5x32, 800/65R32	30.5x32, 800/65R32	27"	32"	12"	34.97	6	256 lbs.	R-2732	R-14404
24.5x32, 30.5x32	18.4x38	16"	38"	14"	28(24.5W), 31(30.5W)	6	201 lbs.	RD-1638-32	R-14405
24.5x32, 30.5x32	20.8x38	18"	38"	14"	30(24.5W), 36(30.5W)	6	213 lbs.	RD-1838-32	R-10525

34" Diameter

Tire Size		Dual Rim Dimensions		Band Width	Dual Spacing	Number of Clamps per Side	Approx. Weight per Set	Previous Stock Number	Set Stock Number
On Tractor	To Be Used On Dual	Width	Diameter						
11.2x34, 290/95R34, 320/85R34		10"	34"	10"	17.13	4	160 lbs.	R-1034	R-12156
14.9x34, 385/85R34		13"	34"	10"	20.13	4	166 lbs.	R-1334	R-12155
16.9x34, 18.4x34, 480/70R34		15"	34"	10"	22.37	4	166 lbs.	R-1534-10	R-14406
16.9x34, 18.4x34, 480/70R34		16"	34"	10"	22.65	4	175 lbs.	R-1634-10	R-14407
20.8x34		18"	34"	10"	24.65	6	182 lbs.	R-1834	R-14408
23.1x34		20"	34"	12"	27.97	6	273 lbs.	R-2034	R-14409
23.1x34	18.4x38	16"	38"	14"	25.97	6	207 lbs.	RD-1638-34	R-14410

T-Rail® Rim, Band and Rail Only

36" Diameter

Tire Size		Dual Rim Dimensions		Band Width	Dual Spacing	Number of Clamps per Side	Approx. Weight per Set	Previous Stock Number	Set Stock Number
On Tractor	To Be Used On Dual	Width	Diameter						
13.6x36, 13.9x36		12"	36"	8"	17.91	4	141 lbs.	R-1236	R-14411

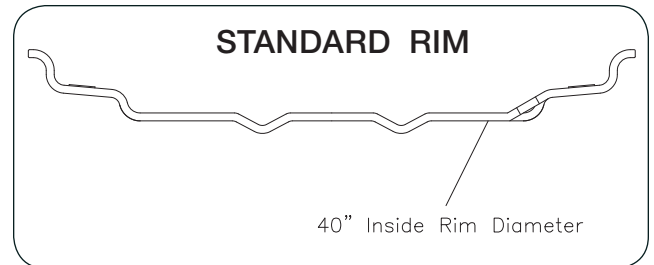
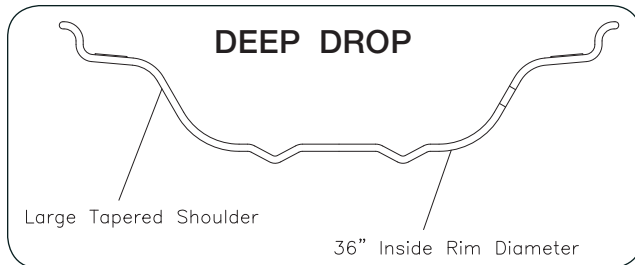
38" Diameter

Tire Size		Dual Rim Dimensions		Band Width	Dual Spacing	Number of Clamps per Side	Approx. Weight per Set	Previous Stock Number	Set Stock Number
On Tractor	To Be Used On Dual	Width	Diameter						
11.2x38, 12.4x38		10"	38"	8"	15.78	4	150 lbs	—	R-13985
12.4x38, 13.6x38		11"	38"	10"	18.87	4	156 lbs.	—	R-13986
12.4x38, 13.6x38, 14.9x38		12"	38"	10"	19.33	4	175 lbs.	R-1238	R-14412
15.5x38, 16.9x38		14"	38"	10"	21.69	4	180 lbs.	R-1438	R-14413
16.9x38, 18.4x38		16"	38"	10"	22.65	6	192 lbs.	R-1638-10	R-14414
				12"	24.65		203 lbs.	R-1638-12	R-13781
				14"	26.65		214 lbs.	R-1638-14	R-16018
				16"	28.65		225 lbs.	R-1638-16	R-16019
20.8x38, 580/70R38		18"	38"	12"	26.65	6	215 lbs.	R-1838-12	R-14415
700/65-38, 710/70R38, 750/65-38		23"	38"	16"	34.80	8	353 lbs.	R-2338	R-12437

T-Rail® Rim, Band and Rail Only

42" Diameter

Tire Size		Dual Rim Dimensions		Band Width	Dual Spacing	Number of Clamps per Side	Approx. Weight per Set	Previous Stock Number	Set Stock Number
On Tractor	To Be Used On Dual	Width	Diameter						
12.4x42,	320/90R42	9"	42"	10"	15.73	6	188 lbs.	R-942	R-10530
12.4x42,	320/90R42	10"	42"	10"	16.80	6	198 lbs.	R-1042	R-12406
16.9x42		14"	42"	10"	21.57	8	236 lbs.	R-1442	R-12041
18.4x42		16"	42"	12"	24.55	8	231 lbs.	R-1642	R-14416
					24.97		259 lbs.	R-1642/38DD	R-10527*
				16"	28.97		293 lbs.	R-1642/38DD-16	R-16020
		12" Band, .276/.281" thick OE Rim		24.97	259 lbs.		R-1642/38DD281	R-11604*	
710/70R38	18.4x42	16"	42"	19.25"	30.00	8	290 lbs.	—	R-13987
20.8x42		18"	42"	12"	26.70	8	277 lbs.	R-1842	R-14417
					26.95		282 lbs.	R-1842/38DD	R-10526*
		12" Band, .276/.281" thick OE Rim		26.95	282 lbs.		R-1842/38DD281	R-11605*	
710/70R38	20.8R42 (Michelin) 580/70R42	18"	42"	19.25"	31.00	8	313 lbs.	—	R-13988
620/70R42		20"	42"	14"	30.05	8	341 lbs.	R-2042	R-13178
710/70R42, 750/60-42		23"	42"	16"	34.80	8	407 lbs.	—	R-17578FR, R-17578Y



When dualing a tractor either a Deep-Drop inner rim, it is necessary to identify the rim thickness by a stamped marking on the rim.

If Deep-Drop inner rim is stamped 224 use the following:

Snap-On Set No.

RS8-1642/38DD (For 18.4 x 42 Tires)

RS8-1842/38DD (For 20.8 x 42 Tires)

Economy Set No.

RE8-1642/38DD (For 18.4 x 42 Tires)

RE8-1842/38DD (For 20.8 x 42 Tires)

Rim Stock No.

R-10527 (For 18.4 x 42 Tires)

R-10526 (For 20.8 x 42 Tires)

If Deep-Drop inner rim is stamped 276/281 use the following:

Snap-On Set No.

RS8-1642/38DD281 (For 18.4 x 42 Tires)

RS8-1842/38DD281 (For 20.8 x 42 Tires)

Economy Set No.

RE8-1642/38DD281 (For 18.4 x 42 Tires)

RE8-1842/38DD281 (For 20.8 x 42 Tires)

Rim Stock No.

R-11604 (For 18.4 x 42 Tires)

R-11605 (For 20.8 x 42 Tires)

Snap-On Set No.

RS8-1642 (For 18.4 x 42 Tires)

RS8-1842 (For 20.8 x 42 Tires)

Economy Set No.

RE8-1642 (For 18.4 x 42 Tires)

RE8-1842 (For 20.8 x 42 Tires)

Rim Stock No.

R-14416 (For 18.4 x 42 Tires)

R-14417 (For 20.8 x 42 Tires)

T-Rail® Rim, Band and Rail Only

46" Diameter

Tire Size		Dual Rim Dimensions		Band Width	Dual Spacing	Number of Clamps per Side	Approx. Weight per Set	Previous Stock Number	Set Stock Number
On Tractor	To Be Used On Dual	Width	Diameter						
300/95R46, 320/90R46		10"	46"	10"	17.45	6	208 lbs.	R-1046	R-10518
14.9x46, 380/70R46, 380/90R46, 420/80R46		13"	46"	12"	21.07	6	259 lbs.	R-1346	R-11960
		13"	46"	13"	22.07	6	265 lbs.	R-1346	R-13016
		13"	46"	15"	24.07	6	280 lbs.	R-1346	R-13017
18.4x46, 520/85R46		16"	46"	12"	24.95	12	283 lbs.	R-1646	R-10523

48" Diameter

Tire Size		Dual Rim Dimensions		Band Width	Dual Spacing	Number of Clamps per Side	Approx. Weight per Set	Previous Stock Number	Set Stock Number
On Tractor	To Be Used On Dual	Width	Diameter						
9.5x48, 230/95R48		8"	48"	8"	13.91	6	172 lbs.	R-848	R-12039

50" Diameter

Tire Size		Dual Rim Dimensions		Band Width	Dual Spacing	Number of Clamps per Side	Approx. Weight per Set	Previous Stock Number	Set Stock Number
On Tractor	To Be Used On Dual	Width	Diameter						
320/90R50		10"	50"	10"	17.32	8	237 lbs.	R-1050	R-12026
380/90R50		12"	50"	10"	19.32	8	263 lbs.	—	R-13989

52" Diameter

Tire Size		Dual Rim Dimensions		Band Width	Dual Spacing	Number of Clamps per Side	Approx. Weight per Set	Previous Stock Number	Set Stock Number
On Tractor	To Be Used On Dual	Width	Diameter						
12.4x52		10"	52"	10"	17.91	8	236 lbs.	R-1052	R-12038

54" Diameter

Tire Size		Dual Rim Dimensions		Band Width	Dual Spacing	Number of Clamps per Side	Approx. Weight per Set	Previous Stock Number	Set Stock Number
On Tractor	To Be Used On Dual	Width	Diameter						
12.4x54, 320/90R54		10"	54"	10"	17.27	8	284 lbs.	R-1054	R-10524

MFWD T-Rail® Snap-On Dual Sets

These are the most commonly used snap-on duals for the front of MFWD tractors.

20" Diameter

Tire Size		Dual Rim Dimensions		Band Width	Number of Clamps per Side	Approx. Weight per Set	Set Stock Number
On Tractor	To Be Used On Dual	Width	Diameter				
9.50x20, 10.00x20, 260/80R20, 11.00x20		8"	20"	10"	4	192 lbs.	RS4-820

24" Diameter

Tire Size		Dual Rim Dimensions		Band Width	Number of Clamps per Side	Approx. Weight per Set	Set Stock Number
On Tractor	To Be Used On Dual	Width	Diameter				
9.00x24, 9.50x24, 11.2x24		8"	24"	10"	4	192 lbs.	RS4-824
11.2x24, 11.25x24, 12.4x24, 320/75R24		10"	24"	10"	4	212 lbs.	RS4-1024
13.6x24, 14.9x24		12"	24"	10"	4	232 lbs.	RS4-1224
16.9x24, 18.4x24		15"	24"	10"	4	268 lbs.	RS4-1524

26" Diameter

Tire Size		Dual Rim Dimensions		Band Width	Number of Clamps per Side	Approx. Weight per Set	Set Stock Number
On Tractor	To Be Used On Dual	Width	Diameter				
13.6x26, 14.9x26		12"	26"	10"	4	248 lbs.	RS4-1226
16.9x26		14"	26"	10"	4	266 lbs.	RS4-1426
18.4x26		16"	26"	10"	4	310 lbs.	RS4-1626
16.9x24, 18.4x24		15"	24"	10"	4	268 lbs.	RS4-1524

To determine the correct hook length, please refer to pages 3-13 thru 3-16.



MFWD T-Rail® Snap-On Dual Sets

These are the most commonly used snap-on duals for the front of MFWD tractors.

28" Diameter

Tire Size		Dual Rim Dimensions		Band Width	Number of Clamps per Side	Approx. Weight per Set	Set Stock Number
On Tractor	To Be Used On Dual	Width	Diameter				
	12.4x28, 13.6x28	11"	28"	10"	4	248 lbs.	RS4-1128
	13.6x28, 14.9x28, 17.9x28	12"	28"	10"	4	262 lbs.	RS4-1228
	14.9x28, 420/70R28	13"	28"	10"	4	274 lbs.	RS4-1328
	16.9x28, 18.4x28, 480/70R28	15"	28"	10"	4	298 lbs.	RS4-1528
	600/65R28	18"	28"	14"	6	419 lbs.	RS6-1828

30" Diameter

Tire Size		Dual Rim Dimensions		Band Width	Number of Clamps per Side	Approx. Weight per Set	Set Stock Number
On Tractor	To Be Used On Dual	Width	Diameter				
	14.9x30	13"	30"	10"	4	288 lbs.	RS4-1330
	16.9x30, 18.4x30, 480/70R30	15"	30"	10"	4	340 lbs.	RS4-1530
	18.4x30, 480/70R30	16"	30"	10"	4	344 lbs.	RS4-1630

34" Diameter

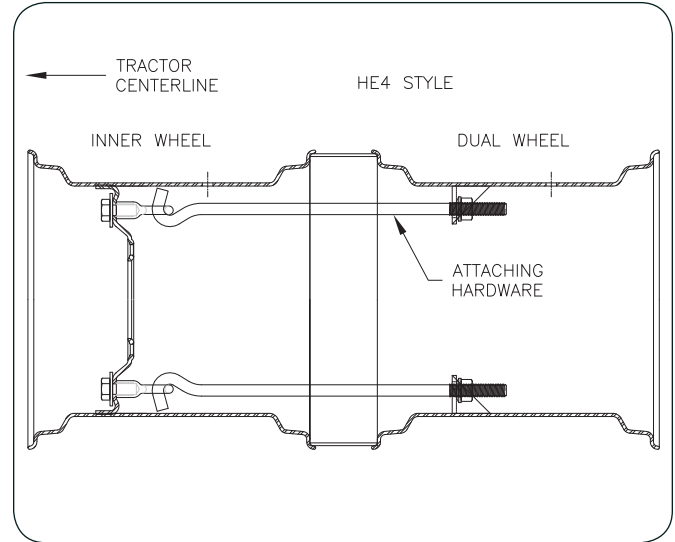
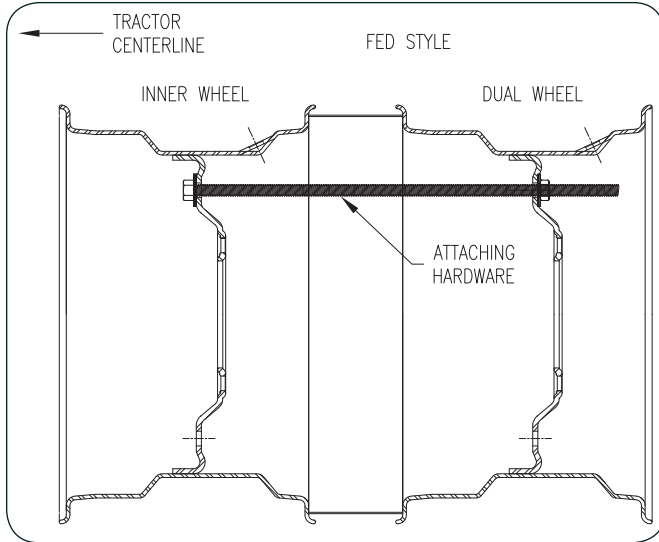
Tire Size		Dual Rim Dimensions		Band Width	Number of Clamps per Side	Approx. Weight per Set	Set Stock Number
On Tractor	To Be Used On Dual	Width	Diameter				
	11.2x34, 290/95R34, 320/85R34	10"	34"	10"	4	332 lbs.	RS4-1034
	14.9x34, 385/85R34	13"	34"	10"	4	362 lbs.	RS4-1334

To determine the correct hook length, please refer to pages 3-13 thru 3-16.



Small-Diameter Dual Sets

(For dualing combine steering wheels, tractors with wide front ends, small utility tractors, and other farm implements.)



NOTE: These duals are normally painted Silver-Mist, other colors available at an additional cost. Please Inquire.

14" Diameter

Tire Size		Dual Rim Dimensions		Approx. Weight per Set	Set Stock Number
On Tractor	To Be Used On Dual	Width	Diameter		
	8.5-14	6	14	72 lbs.	FED614
	9.5-14, 11-14	8	14	77 lbs.	FED814

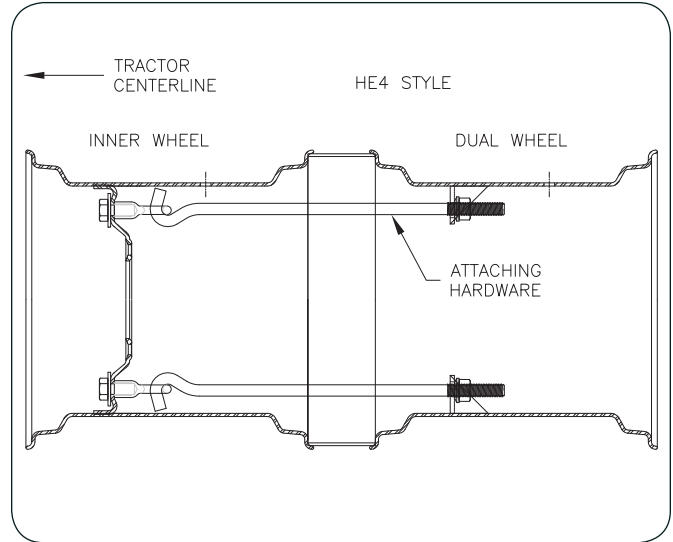
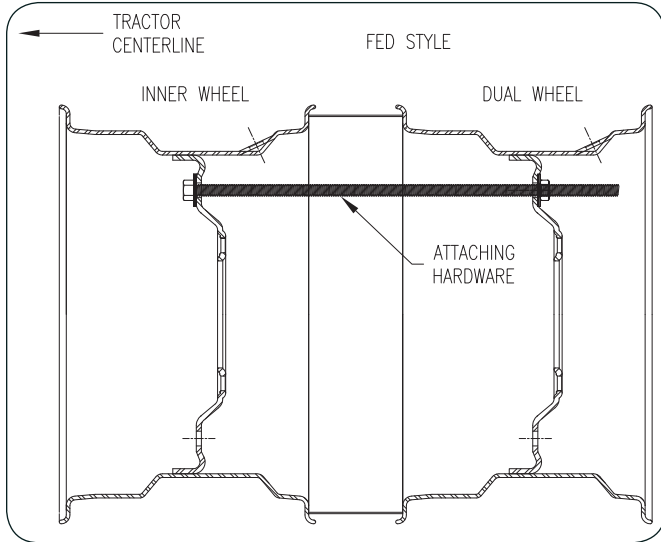
15" Diameter

Tire Size		Dual Rim Dimensions		Approx. Weight per Set	Set Stock Number
On Tractor	To Be Used On Dual	Width	Diameter		
	7.00-15, 7.50-15, 7.60-15, 25x7.50-15	6	15	73 lbs.	FED615
	25x10.50-15, 27x10.50-15, 9.5-15, 10.00-15, 11-15	8	15	88 lbs.	FED815
	25x12.50-15, 11-15, 29x12.50-15, 12.5-15, 31x12.50-15, 31x13.50-15, 33x12.50-15, 36x13.50-15	10	15	97 lbs.	FED1015



Small-Diameter Dual Sets

(For dualing combine steering wheels, tractors with wide front ends, small utility tractors, and other farm implements.)



NOTE: These duals are normally painted Silver-Mist, other colors available at an additional cost. Please Inquire.

16" Diameter

Tire Size		Dual Rim Dimensions		Approx. Weight per Set	Set Stock Number
On Tractor	To Be Used On Dual	Width	Diameter		
7.00-16, 7.50-16, 7.60-16, 9.00-16		6	16	79 lbs.	FED616
9.00-16, 10.00-16, 11.00-16, 11-16		8	16	88 lbs.	FED816
11.00-16, 11-16, 11.2-16, 12.5-16		10	16	98 lbs.	FED1016

16.1" Diameter

Tire Size		Dual Rim Dimensions		Approx. Weight per Set	Set Stock Number
On Tractor	To Be Used On Dual	Width	Diameter		
13.50-16.1, 14-16.1		11	16.1	148 lbs.	HE4-1116.1
16.50-16.1		14	16.1	158 lbs.	HE4-1416.1
18.40-16.1, 19-16.1, 38x20-16.1		16	16.1	176 lbs.	HE4-1616.1



T-Rail® Hooks for Open-Center Dual Wheel Systems

Please refer to pages 3-14 thru 3-16 to determine the correct hook length measurement.

Hooks

Description	Approx. Weight	Stock Number
6" Long, 3 3/8" threaded	1 lb.	H6
8" Long, 5 1/4" or as much as possible threaded	1 lb.	H8
10" Long, 6 - 8" threaded	1 1/4 lb.	H10
12" Long, 9" threaded	1 1/2 lb.	H12
14" Long, 8" threaded	1 3/4 lb.	H14
16" Long, 13" threaded	2 lb.	H16
18" Long, 8" threaded	2 lbs.	H18
20" Long, 8" threaded	2 1/4 lbs.	H20
22" Long, 13" threaded	2 1/2 lbs.	H22
24" Long, 8" threaded	2 3/4 lbs.	H24
26" Long, 8" threaded	3 lbs.	H26
28" Long, 8" threaded	3 lbs.	H28
30" Long, 8" threaded	3 1/4 lbs.	H30
32" Long, 13" threaded	3 1/2 lbs.	H32
36" Long, 10" threaded	4 lbs.	H36
42" Long, 10" threaded	4 1/2 lbs.	H42
48" Long, 10" threaded	5 lbs.	H48

Please refer to Section 17 for additional T-Rail® parts.

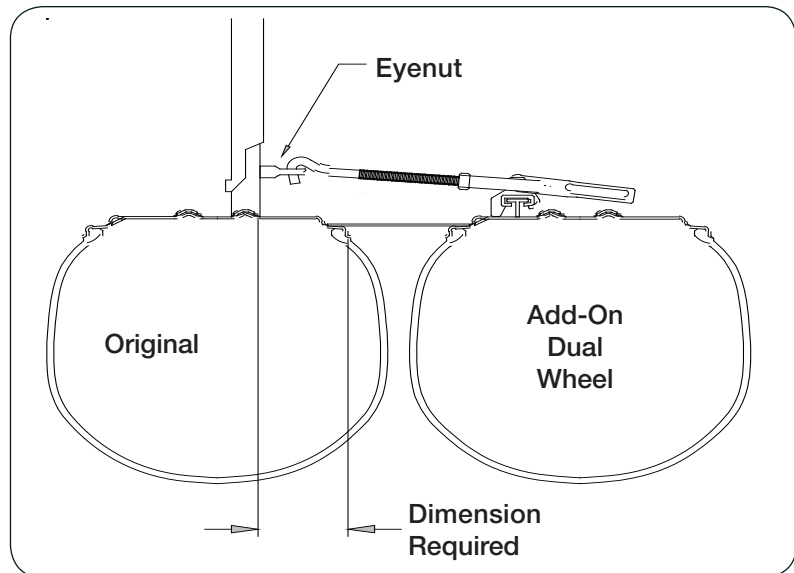
Determining Hook Length

Please use the following in determining the proper hook length.

1. If the tractor has power-adjust (P.A.V.T.) wheels, go directly to the charts on pages 3-15 & 3-16 and use the hook length listed.
2. If the tractor has any other type of wheel, it will be necessary to obtain a measurement from the original wheel of the tractor that is being dualled. The measurement required is the distance from where the base of the eye will install on the original wheel of the tractor, to the bead seat of that same wheel. (See drawing below.)

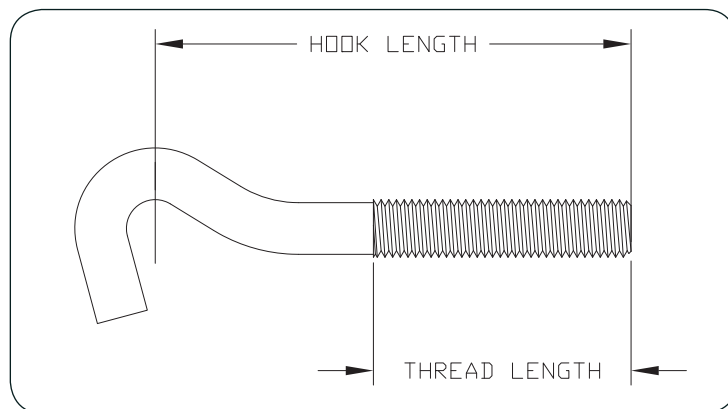
The partial hook length that we have listed in this chart has already taken into consideration the length of the eye, so merely add the measurement you obtain, to the partial hook length shown in the chart. Convert this measurement to the nearest hook length that is available.

Example:	
Tire Size on Tractor	18.4 x 38
Tire Size on Dual	18.4 x 38
Dual Set Required	RS6-1638



Obtain the measurement from the base of where the eye would install on the original wheel, to the bead seat of the rim. (The measurement required is shown in the drawing above.) Assume that the measurement obtained is 4". Use the following charts and find the proper line for the set of duals that are being used. The set would be RS6-1638. Follow this line across to the "Partial Hook Length Plus Measurement" column which has listed a partial hook length of 8 ³/₁₆". Add this to the measurement obtained (4"), for a total length of 12 ³/₁₆". Using the nearest length hook available would result in a H12 hook being used in this application.

While this chart has been designed to be as accurate as possible, there may be applications where the formula above does not hold true. It is always best to carry several different lengths of hooks when making the initial installation of a set of duals.



Determining Hook Length

In Determining the hook length for Economy Sets, simply add 6 inches to the length of the Snap-on Hook required.

20" Diameter

Tire Size		Hook Length Required When Tractor Has		Band Width	Set Stock Number Snap-On
On Tractor	To Be Used On Dual	P.A.V.T. Wheels (Power-Adjust)	Other Wheels (see drawing and formula on page 3-14) Partial Hook Length Plus Measurement		
9.50x20, 10.00x20, 260/80R20, 11.00x20		N/A	6 1/4 +	10"	RS3-820
		N/A	8 5/16+	12"	RS3-1120
44x18.00-20		N/A	9 1/4+	12"	RS3-1420

24" Diameter

Tire Size		Hook Length Required When Tractor Has		Band Width	Set Stock Number Snap-On
On Tractor	To Be Used On Dual	P.A.V.T. Wheels (Power-Adjust)	Other Wheels (see drawing and formula on page 3-14) Partial Hook Length Plus Measurement		
9.00x24, 9.50x24, 11.2x24		N/A	6 7/16 +	10"	RS3-824
11.2x24, 11.25x24, 12.4x24, 320/75R24		H6	6 7/16 +	10"	RS3-1024
13.6x24, 14.9x24		N/A	6 1/4 +	10"	RS3-1224
16.9x24, 18.4x24		N/A	5 3/4 +	10"	RS3-1524

26" Diameter

Tire Size		Hook Length Required When Tractor Has		Band Width	Set Stock Number Snap-On
On Tractor	To Be Used On Dual	P.A.V.T. Wheels (Power-Adjust)	Other Wheels (see drawing and formula on page 3-14) Partial Hook Length Plus Measurement		
13.6x26, 14.9x26		N/A	6 1/2 +	10"	RS3-1226
16.9x26		H10	6 7/8 +	10"	RS3-1426
18.4x26		N/A	6 +	10"	RS3-1626
23.1x26, 620/75R26		N/A	8 3/4 +	10"	RS4-2026
28L26, 750/65R26		N/A	8 1/2 +	12"	RS6-2526
18.4x26	14.9x28	N/A	8 11/16 +	12"	RSD4-1328-26
23.1x26	18.4x30	N/A	11 3/4 +	14"	RSD4-1630-26

28" Diameter

Tire Size		Hook Length Required When Tractor Has		Band Width	Set Stock Number Snap-On
On Tractor	To Be Used On Dual	P.A.V.T. Wheels (Power-Adjust)	Other Wheels (see drawing and formula on page 3-14) Partial Hook Length Plus Measurement		
12.4x28, 13.6x28		H6	6 5/16 +	10"	RS3-1128
13.6x28, 14.9x28, 17.9x28		H8	6 1/4 +	10"	RS3-1228
14.9x28, 420/70R28		H10	6 11/16 +	10"	RS3-1328
16.9x28, 18.4x28, 480/70R28		H10	5 3/4 +	10"	RS3-1528
600/65R28		N/A	15 1/2 +	14"	RS6-1828

Determining Hook Length

In Determining the hook length for Economy Sets, simply add 6 inches to the length of the Snap-On Hook required.

30" Diameter

Tire Size		Hook Length Required When Tractor Has		Band Width	Set Stock Number Snap-On
On Tractor	To Be Used On Dual	P.A.V.T. Wheels (Power-Adjust)	Other Wheels (see drawing and formula on page 3-14) Partial Hook Length Plus Measurement		
14.9x30		N/A	6 1/16 +	10"	RS3-1330
			8 1/16 +	12"	
16.9x30, 18.4x30, 480/70R30		H10	6 1/16 +	10"	RS3-1530
18.4x30, 480/70R30		N/A	6 1/4 +	10"	RS3-1630
23.1x30		N/A	15 +	12"	RS6-2030
23.1x30	18.4x34	N/A	10 1/2 +	12"	RSD6-1634-30

32" Diameter

Tire Size		Hook Length Required When Tractor Has		Band Width	Set Stock Number Snap-On
On Tractor	To Be Used On Dual	P.A.V.T. Wheels (Power-Adjust)	Other Wheels (see drawing and formula on page 3-14) Partial Hook Length Plus Measurement		
24.5x32, 650/75R32, 30.5x32	24.5x32, 650/75R32	N/A	9 1/2 +	12"	RS6-2132
24.5x32, 30.5x32, 800/65R32	30.5x32, 800/65R32	N/A	9 1/2 +	12"	RS6-2732
24.5x32, 30.5x32	18.4x38	N/A	12 15/16 +	14"	RSD6-1638-32
24.5x32, 30.5x32	20.8x38	N/A	13 15/16 +	14"	RSD6-1838-32

34" Diameter

Tire Size		Hook Length Required When Tractor Has		Band Width	Set Stock Number Snap-On
On Tractor	To Be Used On Dual	P.A.V.T. Wheels (Power-Adjust)	Other Wheels (see drawing and formula on page 3-14) Partial Hook Length Plus Measurement		
11.2x34, 290/95R34, 320/85R34		N/A	6 1/2+	10"	RS4-1034
14.9x34, 385/85R34		N/A	6 1/2+	10"	RS4-1334
16.9x34, 18.4x34, 480/70R34		H10	6 +	10"	RS4-1534
16.9x34, 18.4x34, 480/70R34		N/A	5 5/8 +	10"	RS4-1634
20.8x34		N/A	5 3/4 +	10"	RS6-1834
23.1x34		N/A	10 3/4 +	12"	RS6-2034
23.1x34	18.4x38	N/A	13 3/8 +	14"	RSD6-1638-34

36" Diameter

Tire Size		Hook Length Required When Tractor Has		Band Width	Set Stock Number Snap-On
On Tractor	To Be Used On Dual	P.A.V.T. Wheels (Power-Adjust)	Other Wheels (see drawing and formula on page 3-14) Partial Hook Length Plus Measurement		
13.6x36, 13.9x36, 14.9x36		RS4-1236	H10	7 3/4 +	8"

Determining Hook Length

In Determining the hook length for Economy Sets, simply add 6 inches to the length of the Snap-on Hook required.

38" Diameter

Tire Size		Hook Length Required When Tractor Has		Band Width	Set Stock Number Snap-On
On Tractor	To Be Used On Dual	P.A.V.T. Wheels (Power-Adjust)	Other Wheels (see drawing and formula on page 3-14) Partial Hook Length Plus Measurement		
11.2x38, 12.4x38		H10	4 11/16 +	8"	RS4-1038
12.4x38, 13.6x38		H10	4 3/4 +	10"	RS4-1138
12.4x38, 13.6x38, 14.9x38		H12	6 3/8 +	10"	RS4-1238
15.5x38, 16.9x38		H12	6 9/16 +	10"	RS4-1438
16.9x38, 18.4x38		H10	5 1/2 +	10"	RS6-1638
		H12	7 1/2 +	12"	
		H14	9 1/2 +	14"	
		H16	11 1/2 +	16"	
20.8x38, 580/70R38		H12	7 1/2 +	12"	RS6-1838
700/65-38, 710/70R38, 750/65-38		N/A	19 +	16"	RS8-2338

42" Diameter

Tire Size		Hook Length Required When Tractor Has		Band Width	Set Stock Number Snap-On
On Tractor	To Be Used On Dual	P.A.V.T. Wheels (Power-Adjust)	Other Wheels (see drawing and formula on page 3-14) Partial Hook Length Plus Measurement		
12.4x42, 320/90R42		N/A	5 7/8 +	10"	RS6-942
12.4x42, 320/90R42		N/A	6+	10"	RS6-1042
16.9x42		N/A	6 9/16 +	10"	RS8-1442
18.4x42		N/A	7 5/16 +	12"	RS8-1642
18.4x42		N/A	10 5/8 +	12"	RS8-1642/38
			12 1/2 +	16"	
20.8x42		N/A	8 11/16 +	12"	RS8-1842
20.8x42		N/A	10 5/8 +	12"	RS8-1842/38
620/70R42		N/A	14 1/2 +	14"	RS8-2042
710/70R38	18.4x42	N/A	14 1/2 +	19.25"	RSD8-1642-38
710/70R38	20.8R42 (Michelin) 580/70R42	N/A	15 1/2 +	19.25"	RSD8-1842-38
710/70R42, 750/60-42		N/A	19 +	16"	RS8-2342

Determining Hook Length

In Determining the hook length for Economy Sets, simply add 6 inches to the length of the Snap-on Hook required.

46" Diameter

Tire Size		Hook Length Required When Tractor Has		Band Width	Set Stock Number Snap-On
On Tractor	To Be Used On Dual	P.A.V.T. Wheels (Power-Adjust)	Other Wheels (see drawing and formula on page 3-14) Partial Hook Length Plus Measurement		
300/95R46, 12.4x46, 320/90R46		N/A	7 3/4 +	10"	RS6-1046
340/85R46, 13.6x46, 14.9x46, 380/70R46, 380/90R46, 420/80R46		N/A	7 7/8 + (For R-1246-13: 10 7/8 +) (For R-1246-15: 12 7/8 +)	10"	RS6-1246
14.9x46, 380/70R46, 380/90R46, 420/80R46		N/A	9 +	12"	RS6-1346
18.4x46		N/A	10 1/2 +	12"	RS12-1646

48" Diameter

Tire Size		Hook Length Required When Tractor Has		Band Width	Set Stock Number Snap-On
On Tractor	To Be Used On Dual	P.A.V.T. Wheels (Power-Adjust)	Other Wheels (see drawing and formula on page 3-14) Partial Hook Length Plus Measurement		
9.5x48, 230/95R48		N/A	4 7/16 +	8"	RS6-848
11.2x48, 270/95R48		N/A	4 3/8 +	8"	RS6-1048

Determining Hook Length

In Determining the hook length for Economy Sets, simply add 6 inches to the length of the Snap-on Hook required.

50" Diameter

Tire Size		Hook Length Required When Tractor Has		Band Width	Set Stock Number Snap-On
On Tractor	To Be Used On Dual	P.A.V.T. Wheels (Power-Adjust)	Other Wheels (see drawing and formula on page 3-14) Partial Hook Length Plus Measurement		
320/90R50		N/A	7 5/8 +	10"	RS8-1050
380/90R50		N/A	8 +	10"	RS8-1250

52" Diameter

Tire Size		Hook Length Required When Tractor Has		Band Width	Set Stock Number Snap-On
On Tractor	To Be Used On Dual	P.A.V.T. Wheels (Power-Adjust)	Other Wheels (see drawing and formula on page 3-14) Partial Hook Length Plus Measurement		
12.4x52		N/A	6 3/4 +	10"	RS8-1052

54" Diameter

Tire Size		Hook Length Required When Tractor Has		Band Width	Set Stock Number Snap-On
On Tractor	To Be Used On Dual	P.A.V.T. Wheels (Power-Adjust)	Other Wheels (see drawing and formula on page 3-14) Partial Hook Length Plus Measurement		
12.4x54		N/A	6 1/4 +	10"	RS8-1054

T-Rail® Clamps and Attaching Units for Open-Center Dual Wheel Systems

Clamps

Description	Approx. Weight	Stock Number
T-Rail® Snap-On Clamp	4 1/2 lbs.	TS9
T-Rail® Snap-On Clamp for Step-Down Duals	4 1/2 lbs.	TS32
T-Rail® Economy Clamp, Nut & Washer	1 1/2 lbs.	TE9NW

Extra Attaching Units of Hardware

Snap-On Units

Unit Includes: Snap-On Clamp, H16 Hook or Shorter, and Standard Threaded Eye Nut.

Description	Approx. Weight	Stock Number
Extra Unit of Snap-On Hardware	7 lbs.	1 Unit (SU1)
Extra Unit of Snap-On Hardware	14 lbs.	2 Units (SU2)
Extra Unit of Snap-On Hardware	28 lbs.	4 Units (SU4)
Extra Unit of Snap-On Hardware	42 lbs.	6 Units (SU6)
Extra Unit of Snap-On Hardware	56 lbs.	8 Units (SU8)
Extra Unit of Snap-On Hardware	70 lbs.	10 Units (SU10)
Extra Unit of Snap-On Hardware	84 lbs.	12 Units (SU12)
Extra Unit of Snap-On Hardware	112 lbs.	16 Units (SU16)

Economy Units

Unit Includes: Economy Clamp, Spherical Washer & Nut, H18 to H24 Hook, and Standard Threaded Eye Nut.

Description	Approx. Weight	Stock Number
Extra Unit of Economy Hardware	4 1/2 lbs.	1 Unit (EU1)
Extra Unit of Economy Hardware	9 lbs.	2 Units (EU2)
Extra Unit of Economy Hardware	18 lbs.	4 Units (EU4)
Extra Unit of Economy Hardware	27 lbs.	6 Units (EU6)
Extra Unit of Economy Hardware	36 lbs.	8 Units (EU8)
Extra Unit of Economy Hardware	45 lbs.	10 Units (EU10)
Extra Unit of Economy Hardware	54 lbs.	12 Units (EU12)
Extra Unit of Economy Hardware	72 lbs.	16 Units (EU16)

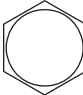
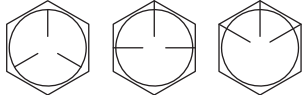
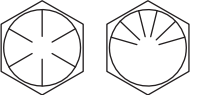





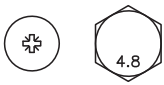














Please refer to Section 17 for additional T-Rail® parts.

EyenuTs and Eyebolt

Description	Nominal Diameter (inch)	Approx. Weight Each	Stamp Marking	Stock Number
3/4" EyenuT- Coarse	0.75	1/2 lb.	A	IAC34
3/4" EyenuT- Fine	0.75	1/2 lb.	B	IBF34
3/4" EyenuT- Coarse, Stud, & Washer	0.75	1 lb.	A	ICA34
5/8" EyenuT- Coarse, Stud, & Washer	0.625	1 lb.	U	ICU58
5/8" EyenuT- Fine	0.625	1/2 lb.	H	IHF58
22 MM EyenuT- 1.5 Pitch	0.866	3/4 lb.	K	IKF22
22 MM EyenuT- 2.5 Pitch	0.866	3/4 lb.	G	IGC22
20 MM EyenuT- 2.5 Pitch	0.787	3/4 lb.	L	ILC20
14 MM EyenuT- 1.5 Pitch	0.551	1/2 lb.	M	IMF14
1/2" EyenuT- Coarse	0.5	1/2 lb.	O	IOC12
Bolts to Power Shift Rail with 2 IP9 screws	—	2 lbs.	—	IP-PSR
7/8" EyenuT- Coarse	0.875	3/4 lb.	R	IRC78
7/8" EyenuT- Fine	0.875	3/4 lb.	S	ISF78
16 MM EyenuT- 1.5 Pitch	0.63	1/2 lb.	T	ITF16
5/8" EyenuT- Coarse	0.625	1/2 lb.	U	IUC58
16 MM EyenuT- 2.0 Pitch	0.63	1/2 lb.	W	IWC16
18 MM EyenuT- 1.5 Pitch	0.709	1/2 lb.	X	IXF18
18 MM EyenuT- 2.0 Pitch	0.709	1/2 lb.	Y	IYC18
20 MM EyenuT- 1.5 Pitch	0.787	3/4 lb.	Z	IZF20
22 MM Eyebolt- 2.5 Pitch for John Deere Tractors	0.866	1/2 lb.	—	11638
22 MM Eyebolt- 2.5 Pitch for John Deere Tractors with Heavy Duty Cast Center	0.866	1 1/2 lb.	—	16773

NOTE: The eye charts on the next several pages, in reference to the tractor make and model, is accurate according to our records. Due to the manufacturer's changes in tractor options, these charts may also change. Updates will be sent as they become available.

Due to the manufacturer's changes, sometimes it may be necessary to identify what eye is required on a particular tractor. As an aid in determining what eye might be required in these situations, the following information is provided. By examining the markings of the bolt and/or nut, that the eye is to attach to, it can be determined if the eye required is standard or metric. The following illustrations are provided only for that purpose.

Markings found on Unified Inch Bolts and Cap Screws	SAE Grade and Head Markings	1 or 2 NO MARK 	5 5.1 5.2 	8 8.2 	
	SAE Grade and Nut Markings	2 NO MARK 	5  	8  	
Markings found on Metric Bolts and Cap Screws	Property Class & Head Markings	4.8  	8.8 9.8  	10.9 	12.9  
	Property Class & Nut Markings	5  	10  	10  	12  

Eyenuts

Allis Chambers and Deutz-Allis

Model Number	Eyenut Possibilities	
	Rear Wheels	Front Wheels
185, 5045, 7010, 8070	IP-PSR	N/A
5020, 5030, 5050	ITF16	N/A
5040	IMF14	N/A
6060	IP-PSR	IMF14
6070, 6080, 7110, 7120, 7145	IP-PSR	ITF16
6140	IP-PSR, ITF16	N/A
6240	ITF16, IMF14	N/A
6250, 6275	ITF16	ITF16
6260, 6265, 7085	IP-PSR, ITF16	ITF16
7000, 7020, 7045, 7060, 7080	IUC58, IAC34	N/A
8010, 8030, 8050	IP-PSR, IAC34	N/A
7580, 8550, 9150, 9190	IUC58	IUC58
9130, 9150, 9170, 9190	IAC34, IUC58	IUC58
4W-305	IP-PSR	IP-PSR

Agco-Allis and AGCO

Model Number	Eyenut Possibilities	
	Rear Wheels	Front Wheels
4650, 4660, 5670, 5680, 6670, 6680, 6690	ITF16, IXF18	IWC16, ITF16
5650	IXF18	IXF18
7600, 7630, 7650, 8610, 8630	ITF16, IXF18	ITF16, IXF18
9435, 9455, 9630, 9650, 9655, 9670, 9675, 9690, 9815	IUC58, IAC34	IUC58
8745, 8765	IWC16	IWC16
8775, 8785	IWC16, ITF16, IXF18	IWC16, ITF16
9735, 9745	IAC34, IXF18	IWC16
9755, 9765, 9775, 9785	IAC34	IUC58, IWC16
DT160, DT180, DT200, DT225, DT180A, DT200A, DT220A, DT240A	IXF18	IWC16, ITF16
LT70, LT75, LT80, LT90	IWC16, ITF16	IWC16, ITF16
RT95, RT100, RT115, RT120, RT130, RT135, RT145, RT150	IWC16, ITF16, IZF20, IXF18	IWC16, ITF16

Belarus

Model Number	Eyenut Possibilities	
	Rear Wheels	Front Wheels
250	IWC16	N/A
400, 420	IXF18	N/A
1500	IKF22	IKF22
7010, 7011	IZF20	IZF20
7111	IZF20	N/A

NOTE: Where two or more eyenuts are possible, please verify the correct size on the tractor before ordering.

Eyenuts

Case and Case International

Model Number	Eyenut Possibilities	
	Rear Wheels	Front Wheels
484, 584, 684, 884, 885XL	IHF58	N/A
585**	IP-PSR	IWC16
385, 395, 485, 495, 585**, 595, 685, 695, 885, 895, 995, 3220, 3230, 4210, 4230, 4240	IHF58, IUC58 (US Wheel)	IWC16 (Foreign Wheel)
1190, 1194, 1290	ITF16	N/A
1294	ITF16, IHF58	ITF16, IWC16
1390, 1410	IP-PSR	N/A
1394	ITF16, IHF58, IUC58, IWC16	N/A
1490	IP-PSR	ITF16
1494	IP-PSR, IAC34, IUC58	N/A
1594	IP-PSR, IUC58	N/A
2090	IAC34	IMF14
1370, 1896, 2094, 2390, 2394, 2590, 2594	IAC34	N/A
2290	IAC34, IMF14	N/A
2294	IAC34	IUC58, IMF14
3294	IAC34	IUC58, IBF34
4494, 4694, 4890, 4894, 4994	IAC34	IAC34
2096, 3394, 3594, 7110, 7120, 7130, 7140, 7150, 7210, 7220, 7230, 7240, 7250	IAC34	IUC58
5120, 5130, 5140, 5220, 5230, 5240, 5250	Cast Center IAC34	Steel Manual Adjust Center IWC16
Puma 115, 125, 140, 155	ITF16	ITF16
Maxxum 110, 115, 120, 125, 130, 140		
Farmall 65C, 75C, 85C, 85U, 95, 95C, 95U, 105U		
MX80C, MX90C, MX100C, MX100, MX110, MX120, MX135, MX150, MX170, MXM120, MXM130, MXM140, MXM155, MXM175, MXM190, MXU100, MXU110, MXU125, PUMA165, PUMA180, PUMA195, PUMA210, CX50, CX60, CX70, CX80, CX90, CX100, C50, C60, C70, C80, C90, C100, JX55, JX65, JX75, JX85, JX95, JX80U, JX90U, JX100U, JX1060C, JX1070C, JX1075C, JX1080U, JX1090U, JX1100U	IWC16, ITF16	IWC16, ITF16
MX180, MX200, MX210, MX215, MX220, MX230, MX240, MX245, MX255, MX270, MX275, MX285, MX305, MX335 Magnum 215, 245, 275, 305, 335	N/A	IWC16
9110, 9130, 9150, 9170, 9180, 9210, 9230, 9240, 9250, 9260, 9270, 9280, 9310, 9330, 9350, 9370, 9380, 9390	IRC78 (Rod Style Duals)	IRC78 (Rod Style Duals)
8910, 8920, 8930, 8940, 8950	IAC34	IWC16 (Waffle Wheel)

Challenger

Model Number	Eyenut Possibilities	
	Rear Wheels	Front Wheels
MT425, MT445, MT455, MT465, MT475	IWC16, ITF16	IWC16, ITF16
MT525, MT535, MT545, MT565, MT575	IWC16, ITF16, IXF18, IZF20	IWC16, ITF16
MT635, MT645, MT655, MT665	IXF18	IWC16, ITF16

** These models were also made with Power-Shift wheels, please verify the type of wheel before ordering.

NOTE: Where two or more eyenuts are possible, please verify the correct size on the tractor before ordering.

John Deere

Model Number	Eyenut Possibilities	
	Rear Wheels	Front Wheels
900HC, 2450	IWC16	N/A
950, 1050	IUC58, IWC16	N/A
4200, 4300, 4400, 4500, 4600, 4700	IWC16	N/A
850, 2440, 2640, 2840, 2940, 4040, 4240, 4440, 4640, 4050, and most of the 30 series tractors	IUC58	N/A
4450, 4650, 4850, 8450, 8650, 8850	IUC58	IUC58
2150, 2155**	IP-PSR, IMF14	N/A
2240	IMF14	ITF16
2255	IMF14	N/A
2350	IUC58, ITF16, IWC16	N/A
2550	IHF58, ITF16	IHF58
2750	IUC58, ITF16	ITF16
2950	IUC58, IHF58	IHF58, ITF16, IMF14
3150	IUC58, ITF16	ITF16, IHF58
1250, 1450, 1650, 970, 1070	IUC58, IWC16	IUC58, ITF16, IWC16
2155**, 2355, 2355N, 2555, 2755, 2855, 2955, 3055, 3155, 3255	Cast Center IUC58, IWC16	Steel Manual Adjust Center ITF16
4055, 4255, 4455, 4555, 4755, 4955	IKF22 (Use Eyebolt #11638 After Sept. 1991)	
4560, 4760, 4960	11638	IWC16 (Waffle Wheel)
8560, 8760, 8960	IKF22, 11638 (when cast centers are used)	IWC16 (Waffle Wheel)
8570, 8770, 8870, 8970, 9100, 9120, 9200, 9220, 9300, 9320, 9400, 9420, 9520	11638 (when cast centers are used)	IWC16 (Waffle Wheel)
9120, 9220, 9320, 9420, 9520 with heavy duty cast centers	16773 (when cast centers are used)	IWC16 (Waffle Wheel)
5045D, 5045E, 5055D, 5055E, 5065E, 5075E, 5083E, 5093E, 5101E, 5105, 5200, 5205, 5210, 5220, 5225, 5300, 5310, 5320, 5325, 5400, 5410, 5420, 5425, 5500, 5510, 5520, 5525, 5625	IUC58, IWC16	IUC58, IWC16
6100D, 6110, 6115D, 6120, 6130D, 6140D, 6200, 6210, 6215, 6220, 6230, 6300, 6310, 6320, 6330, 6400, 6403, 6405, 6410, 6415, 6420, 6430, 6603, 6605, 6615, 6715, 7405	IUC58, IWC16, ITF16	IWC16, ITF16
6110L, 6210L, 6310L, 6310S, 6410L, 6410S, 6500L, 6510L, 6510S	IWC16	N/A
6150R, 6170R, 6190R, 6210R, 7130, 7200, 7210, 7220, 7230, 7320, 7330, 7400, 7410, 7420, 7430, 7510, 7520, 7530, 7600, 7610, 7630, 7700, 7710, 7720, 7730, 7800, 7810, 7820, 7830, 7920, 7930, 7200R, 7215R, 7230R, 7260R, 7280R, 8010, 8100, 8110, 8120, 8130, 8200, 8210, 8220, 8230, 8300, 8310, 8320, 8330, 8400, 8410, 8420, 8430, 8520, 8530, 8225R, 8245R, 8270R, 8295R, 8320R, 8345R	11638	IWC16 (Waffle Wheel), IGC22 (Ring Style Wheel)
7720, 7820, 7920, 8120, 8220, 8320, 8420, 8520 with heavy duty cast centers	16773	IWC16 (Waffle Wheel), IGC22 (Ring Style Wheel)
7200, 7210, 7220, 7320, 7420, 7520 with Flange Axle	IWC16	IWC16

** These models were also made with Power-Shift wheels, please verify the type of wheel before ordering.

NOTE: Where two or more eyenuts or eyebolts are possible, please verify the correct size on the tractor before ordering.

Eyenuts

Deutz-Fahr

Model Number	Eyenut Possibilities	
	Rear Wheels	Front Wheels
DX3.50, D7007, D7007C	ITF16	ITF16
DX3.90, D6207, D6507, D6507C, D7807, D7807C, DX7807C, D7009C	ITF16	N/A
D3607, D4506, D4507, D5207	IMF14	N/A
DX90, DX120, DX130, DX4.70, DX6.30, DX6.50, DX7.10	IP-PSR	ITF16
DX110	IP-PSR	N/A
D6807, DX6807	ITF16, IMF14	N/A
DX140, DX13006	IXF18	N/A
DX160	IP-PSR, IXF18	ITF16

Ebro

Model Number	Eyenut Possibilities	
	Rear Wheels	Front Wheels
6045	ITF16	N/A
6070	IWC16	N/A
6125	IZF20	N/A

Fendt

Model Number	Eyenut Possibilities	
	Rear Wheels	Front Wheels
918, 920, 924, 926	IXF18	ITF16/IWC16
409, 410, 411	ITF16/IWC16	ITF16/IWC16
712, 714, 716	IXF18	ITF16/IWC16

NOTE: Where two or more eyenuts are possible, please verify the correct size on the tractor before ordering.

Eyenuts

Deutz-Fahr

Model Number	Eyenut Possibilities	
	Rear Wheels	Front Wheels
466, 466DT, 680, 680DT, 880DT	ITF16	IMF14
566, 566DT, 70-90, 80-90, 90-90, DT55-66, DT60-66, DT70-66, Fiat F110DT, Fiat 130DT	ITF16	ITF16
580, 766, 780, Fiat 110, Fiat 130	ITF16	N/A
980, 980DT, 1180DT	IP-PSR	ITF16
1380, 1380DT, 1580	IP-PSR	N/A
666DT	ITF16, IMF14	ITF16, IMF14
880-5, 880-5DT	ITF16	ITF16, IMF14
130-90	ILC20	ITF16, ILC20
140-90	ILC20	IP-PSR
160-90	ILC20	N/A
180-90	ILC20	ILC20
1880DT	IP-PSR	ILC20

International

Model Number	Eyenut Possibilities	
	Rear Wheels	Front Wheels
84	IHF58, IBF34	N/A
244	IWC16	N/A
254	ITF16	N/A
274	IHF58, ITF16	N/A
584	IHF58, ITF16	IHF58
684	IHF58	IHF58
784	IHF58, ITF16	IHF58, ITF16
884	IHF58, ITF16, IWC16	ITF16
186, 766, 786, 966, 986, 1066, 1086, 1466, 1486, 1586, 3688, 7288, 7488	IBF34	N/A
284, 385, 484, 685	IHF58	N/A
3088, 3288	IBF34	IHF58
4786, 6388, 6588, 6788	IBF34	IBF34
5088, 5288, 5488	IBF34	IUC58

NOTE: Where two or more eyenuts are possible, please verify the correct size on the tractor before ordering.

Eyenuts

Kubota

Model Number	Eyenut Possibilities	
	Rear Wheels	Front Wheels
L275, L2250, L245H, L2850, L4150, L245DT	ITF16	N/A
L345W, L345DT, M7500DT	IUC58, IWC16	N/A
M4050, M4950, M5950, L355SS, L355SSS, M4050DT	IWC16	N/A
M6950, L305DT, M4500DT, M5500DT	IUC58	N/A
M8950	IP-PSR	N/A
4950DT, M8950DT	IP-PSR	IUC58
M4950DT	ITF16, IWC16	IWC16, IXF18
M6950DT	IP-PSR, IWC16	ITF16, IUC58
M7950DT	IWC16, ITF16, IUC58	IWC16, IXF18, IUC58
L2350F/DT, L2650F/DT, L2950F/DT, L3450F/DT, L3650F/DT, L4350HDT/HDT-W, L4850HDT-W, L5450HDT-W, L3130, L3430, L3830, L4330, L5030	IWC16, ITF16, IUC58	N/A
M100GX, M126GX, M135GX, M4030F/DT, M5030F/DT, M6030F/DT, M7030F/DT, M7060, M8030F/DT, M8540, M8560, M9540, M9560, MX5000, M-105S, M-105X, M-955	IWC16, IUC58	IWC16, IUC58, ITF16
M4950F/DT, M5950F/DT, M6950F/DT, M7950F/DT, M8950F/DT, M7580, M8580, M9580	IWC16, IUC58, IP-PSR	IWC16, IUC58, ITF16
M5400, M4700	IUC58	ITF16
M8200, M9000, M6800	IUC58, IWC16	IUC58
M-110, M-120	IAC34	IUC58

NOTE: Where two or more eyenuts are possible, please verify the correct size on the tractor before ordering.

Eyenuts

Landini

Model Number	Eyenut Possibilities	
	Rear Wheels	Front Wheels
6530, 6530F, 8530F, Advantage 65GT, Advantage 75GT, Advantage 85GT	IXF18	ITF16
5500, 10000S, 12500, R5830, DT5830	ITF16	N/A
6500, 6830, 8550, 14500	IXF18	N/A
7500, 7830, 8500	IP-PSR	N/A
5860, 6860, 6880, 8830, 8860, 8880, Blizzard 50, Blizzard 60, Blizzard 65, Blizzard 75, Blizzard 85, Blizzard 95	IP-PSR, ITF16	ITF16, IXF18
Legend Top 145, 160	IP-PSR, ILC20	ITF16
Globus 55, 65, 70	IWC16, ITF16	IWC16, ITF16
Ghibli 80, 90, 100	ITF16	ITF16
Vision 80, 90, 100	ITF16	ITF16

Leyland

Model Number	Eyenut Possibilities	
	Rear Wheels	Front Wheels
702	ITF16	N/A
704	ITF16	ITF16
804	IWC16	ITF16

Long

Model Number	Eyenut Possibilities	
	Rear Wheels	Front Wheels
310, 360, 460, 510, 610	ITF16	N/A
1100	IP-PSR	N/A

NOTE: Where two or more eyenuts are possible, please verify the correct size on the tractor before ordering.

Eyenuts

Massey Ferguson

Model Number	Eyenut Possibilities	
	Rear Wheels	Front Wheels
154-4, 210-4, 220, 231, 253, 254, 261, 263, 451, 471, 481, 1030, 1035, 1045	ITF16, IWC16	IWC16
184-4, 1545, 1745	IXF18	N/A
230, 283	IHF58	N/A
240, 250, 270, 271X	IP-PSR, ITF16	N/A
245	IHF58, ITF16	N/A
255, 265, 275, 285, 290, 298, 689, 698, 2675, 2705, 2745, 2775, 2805, 3505, 3524, 3525, 3552	IP-PSR	N/A
274, 294	IXF18, ITF16	N/A
360	IWC16	ITF16
670	IP-PSR, IUC58	N/A
4800	IAC34	N/A
4840	IP-PSR, IUC58, IAC34	IP-PSR, IUC58
4880	IAC34	IAC34
4900	IUC58	IUC58
690, 699, 2640, 3545	IP-PSR	ITF16
362, 375, 383, 390, 390T, 393, 398, 399	ITF16, IP-PSR, IXF18, IWC16	ITF16, IWC16
3000, 3050, 3060, 3070, 3090, 3630, 3650, 3660, 3680, 3690, 6170, 6180, 6270, 6280, 6290, 6445, 6455, 6465, 6475, 6480, 6485, 6490, 6495, 8120, 8140, 8150, 8160	IXF18, IP-PSR	ITF16, IWC16
6150, 6245, 6255, 6265	ITF16, IWC16, IXF18	ITF16, IWC16
2210, 2220	IWC16	IWC16
4225, 4235, 4243, 4245, 4253, 4255, 4263, 4270, 4325, 4335, 4345, 4355, 4360, 4370, 5435, 5445, 5455, 5460, 5465, 5470, 5475, 5480	IWC16, ITF16	IWC16, ITF16
8220, 8240, 8245, 8250, 8260, 8270, 8280, 8450, 8460, 8470, 8480	IAC34	IUC58, IWC16

McCormick

Model Number	Eyenut Possibilities	
	Rear Wheels	Front Wheels
C70, C80, C90, C100, CX70, CX80, CX90, CX100, MC90, MC100, MC115, MTX110, MTX125, MTX140, MTX155, MTX175, ZTX230, ZTX260, ZTX280	ITF16, IWC16	ITF16, IWC16

NOTE: Where two or more eyenuts are possible, please verify the correct size on the tractor before ordering.

Eyenuts

New Holland

Model Number	Eyenut Possibilities	
	Rear Wheels	Front Wheels
TW5, 2610, 3610, 6600, 6700, 6710, 8210	IP-PSR	N/A
TW10, TW20, TW30, TW35, TW35II, 5600	IP-PSR	IHF58
TW15	IP-PSR	IHF58, ITF16, IUC58
TW25	IP-PSR	IHF58, ITF16
1710	IWC16	N/A
1900	IUC58	N/A
5610	IHF58, IUC58, IP-PSR	IHF58, ITF16
6610	IP-PSR, IUC58, IWC16	ITF16
7610	IHF58, IP-PSR, IWC16	IHF58
4600, 7710	IP-PSR, IHF58	N/A
4610SU, 2600, 3600, 7600	IHF58	N/A
2110, 2910	IHF58, ITF16	N/A
3910, 4610	IHF58, ITF16, IP-PSR	N/A
846, 876, 946, 976, 1156 (4WD), 9184, 9282, 9384, 9480, 9482, 9484, 9680, 9682, 9684, 9880, 9882, 9884	ILC20 (for triple inst. to dual)	ILC20 (for triple inst. to dual)
Ford/Versatile 276, 9030 bi-directional, 3230, 3430, 3930, 4630, 5030, 5640, 6640, 7740, 7840, 8240, 8340, TV140, TV145	IWC16	IWC16
7810	ITF16, IWC16	ITF16, IWC16
8530, 8630, 8670, 8730, 8770, 8830, 8870, 8970	IAC34, IP-PSR	IWC16
8160, 8260, 8360, 8560	ITF16, IYC18	IWC16
9184, 9280, 9282, 9384, 9480, 9482, 9484, 9680, 9682, 9684, 9880, 9882, 9884 (4WD)	ILC20 (for triple inst. to dual)	ILC20 (for triple inst. to dual)
TL65, TL70, TL80, TL90, TL100, TL80A, TL90A, TL100A	ITF16, IWC16	ITF16, IWC16
T4020, T4030, T4040, T4050, T4.85, T4.95, T4.105	ITF16, IWC16	ITF16, IWC16
T5040, T5050, T5060, T5070	ITF16, IWC16	ITF16, IWC16
TN55D, TN55S, TN65D, TN65S, TN75D, TN75S, TN65F, TN75F, TN90F	ITF16, IWC16	ITF16, IWC16
TT55, TT75, TB100, TB110, TB120	ITF16, IWC16	ITF16, IWC16
TS80, TS90, TS100, TS110, TS100A, TS115A, TS125A, TS135A	ITF16, IWC16	ITF16, IWC16
T6010, T6020, T6030, T6040, T6050, T6060, T6070, T6080	ITF16	ITF16
T7030, T7040, T7050, T7060	ITF16	ITF16
T7.170, T7.180, T7.200, T7.210, T7.235, T7.250, T7.260, T7.270, TM115, TM120, TM125, TM130, TM135, TM140, TM150, TM155, TM165, TM175, TM190	ITF16, IWC16, IYC18, IXF18	ITF16, IWC16
8670A, 8770A, 8870A, 8970A	IAC34	IWC16
TG210, TG230, TG255, TG285	N/A	IWC16

Renault

Model Number	Eyenut Possibilities	
	Rear Wheels	Front Wheels
95.1	ITF16	N/A
145.14	ITF16	ITF16

NOTE: Where two or more eyenuts are possible, please verify the correct size on the tractor before ordering.

Eyenuts

Same

Model Number	Eyenut Possibilities	
	Rear Wheels	Front Wheels
Buffalo 130	ITF16, IXF18	IXF18
Falcon 50, Jaguar 95, Leopard 85, Leopard 90, Mercury 75, Minitaurus 60, Panther 95, Saturno 80	IXF18	ITF16
Hercules 160, Solar 50	IXF18	N/A
Jaguar 100, Mercury 85, Solar 60, Explorer 80, Row Crop 85, 90, 100, 110, 130, 150	IXF18	ITF16, IXF18
Row Crop 80, Tiger Six 105, Turbo Deluxe 130	IXF18	IXF18
Vigneron 60	ITF16	ITF16

Steiger

Model Number	Eyenut Possibilities	
	Rear Wheels	Front Wheels
ST225, KP1325, Bearcat CM225, Bearcat KM225, Cougar KM280, Panther CP1325	IRC78 (Rod Style Duals)	IRC78 (Rod Style Duals)

Universal

Model Number	Eyenut Possibilities	
	Rear Wheels	Front Wheels
300, 340, 350, 445, 445V, 530, 530DTC, 530DTCE, 703DT	ITF16	N/A
1010DT, 590DTE	ITF16	ITF16
640DTC	ITF16, IWC16	N/A

Versatile

Model Number	Eyenut Possibilities	
	Rear Wheels	Front Wheels
276, 276II	IMF14	N/A
256	IP-PSR	N/A
756, 836, 876, 956	IRC78	N/A
875, 895, 945, 955, 975, 1150	IAC34	N/A

NOTE: Where two or more eyenuts are possible, please verify the correct size on the tractor before ordering.

Eyenuts

Agco-White

Model Number	Eyenut Possibilities	
	Rear Wheels	Front Wheels
6124, 6125, 6144, 6145, 6175, 6195, 6215	IUC58, IAC34	IUC58
6045, 6065, 6085, 6090, 6105	IWC16, ITF16, IXF18	IWC16, ITF16
6410, 6510	IWC16	IWC16
6710, 6810	IWC16, ITF16, IXF18	IWC16, ITF16
8310, 8410	IAC34, IXF18	IWC16
8510, 8610, 8710, 8810	IAC34	IUC58, IWC16

White

Model Number	Eyenut Possibilities	
	Rear Wheels	Front Wheels
2-30, 2-35, 2-45, 43	IWC16	N/A
2-55, 2-65	IP-PSR, ITF16, IWC16	N/A
2-60	IP-PSR	N/A
2-65HC	IAC34	IAC34
2-70, 2-88	IP-PSR, IAC34	N/A
2-75	ILC20	N/A
2-155	IP-PSR, IUC58	IAC34
4-175	IP-PSR	IP-PSR
4-210	IUC58, IP-PSR	N/A
37	IMF14	N/A
80, 2-85, 2-105, 2-110, 4-150, 4-180	IAC34	N/A
2-135, 2-180	IUC58	IAC34
2-185, 4-225, 4-255	IUC58	N/A
4-270	IUC58	IUC58
100, 120, 125, 140, 145, 160, 170, 185, 195	IUC58, IAC34	IUC58

Yanmar

Model Number	Eyenut Possibilities	
	Rear Wheels	Front Wheels
YM276D	ITF16	N/A

Zetor

Model Number	Eyenut Possibilities	
	Rear Wheels	Front Wheels
5011, 5211, 5213, 5243, 5245, 6211, 7211, 7245, 7711, 8111, 8145, 8211, 8245, 9520, 10111, 10211, 12111, 12145, 12211, 16145	ITF16	N/A
6245, 7745, 9540, 10145, 12245, 16245	ITF16	ITF16
7045	ITF16	IMF14

NOTE: Where two or more eyenuts are possible, please verify the correct size on the tractor before ordering.

Straddle-Row Add-On Bands

This chart is for open-center duals with standard width bands. Be sure to measure the width of the band on your present dual and select the same width band shown in the chart. Refer to page 3-31 for the dimensions of the bands in this chart.

38" Diameter

Tire Size (On Dual and Original)	Open-Center Dual Rim Used			Stock Number of Band to Order Row Spacing Desired Between Tires (Center of Tire to Center of Tire)				
	Rim		Band Width	28"	30"	36"	38"	40"
	Width	Diameter						
11.2, 12.4	10	38	8	1972	1973	—	—	—
12.4, 13.6	11	38	10	1970	1971	—	—	—
13.6, 14.9	12	38	6	1972	1973	—	—	—
13.6, 14.9	12	38	8	1971	1972	—	—	—
13.6, 14.9	12	38	10	1970	1971	—	—	—
15.5	14	38	6	1971	1972	—	—	—
15.5	14	38	8	1970	1971	—	—	—
15.5	14	38	10	1969	1970	1973	—	—
16.9, 18.4	16	38	8	1969	1970	1973	—	—
16.9, 18.4	16	38	10 & 12	1968	1969	1972	1973	—
20.8	18	38	10	—	1968	1971	1972	1973
20.8	18	38	12	—	1968	1971	1972	1973

38" Diameter with .224" Thick Rim

Tire Size (On Dual and Original)	Open-Center Dual Rim Used			Stock Number of Band to Order Row Spacing Desired Between Tires (Center of Tire to Center of Tire)				
	Rim		Band Width	28"	30"	36"	38"	40"
	Width	Diameter						
16.9, 18.4	16	38	10 & 12	—	—	—	—	—
20.8	18	38	12	—	—	—	—	—

42" Diameter with .224" Thick Rim or Less

Tire Size (On Dual and Original)	Open-Center Dual Rim Used			Stock Number of Band to Order Row Spacing Desired Between Tires (Center of Tire to Center of Tire)				
	Rim		Band Width	28"	30"	36"	38"	40"
	Width	Diameter						
18.4	16	42	10	1975	19376	—	—	—
18.4	16	42	12	—	1975	1978	—	—
20.8	18	42	12	—	1975	1978	—	—

NOTE: When using these Bands on higher horsepower tractors and/or heavy-duty usage, it is recommended that additional clamps and hooks be added to the dual wheel set.

If the band on the present dual fits on the outer lip (compression fit), or if the band width of the present dual is different from that shown in the chart, then please consult your Unverferth Territory Manager for further information.

All bands listed on this page are the expanded band style. For clip style bands, please inquire.

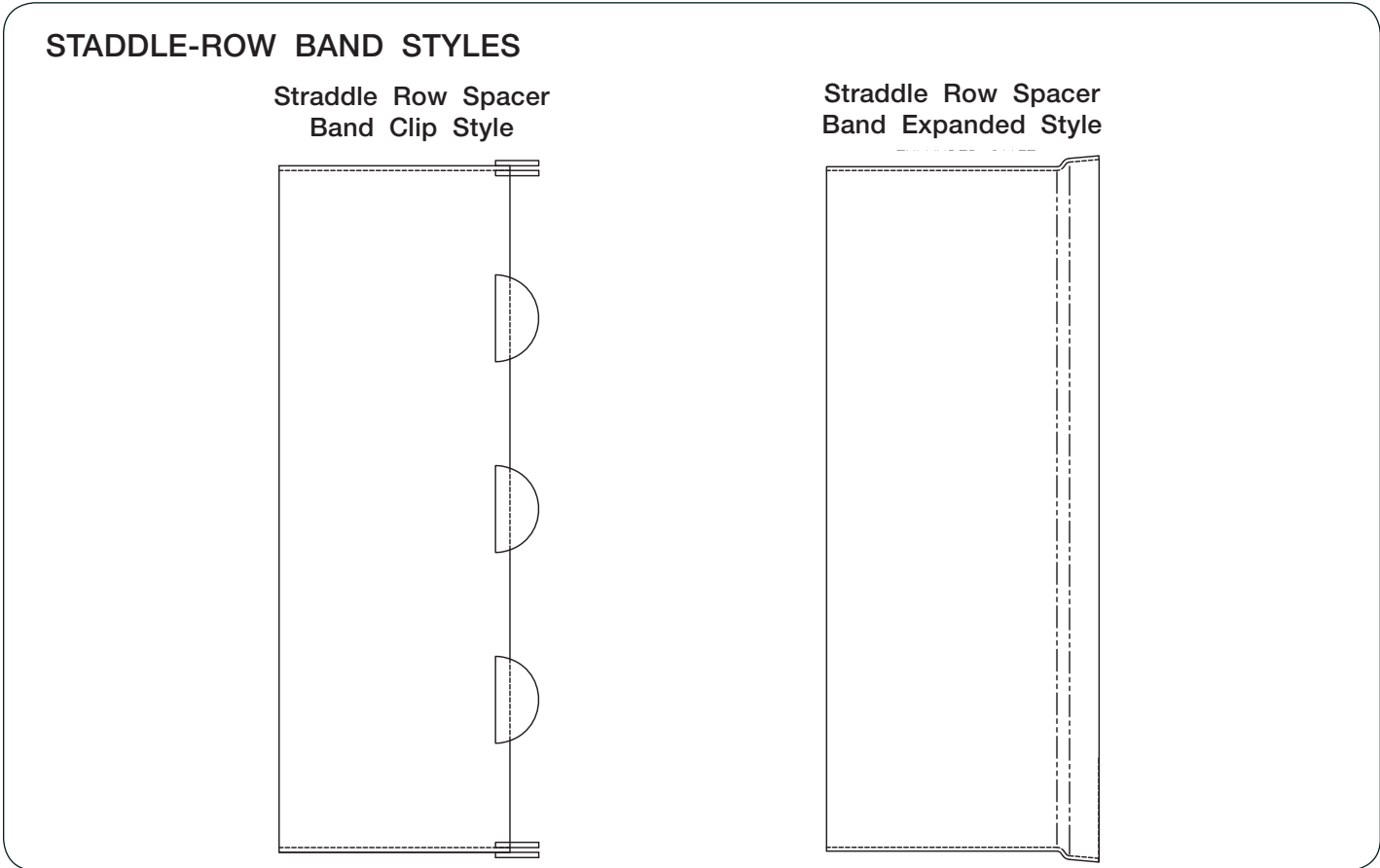
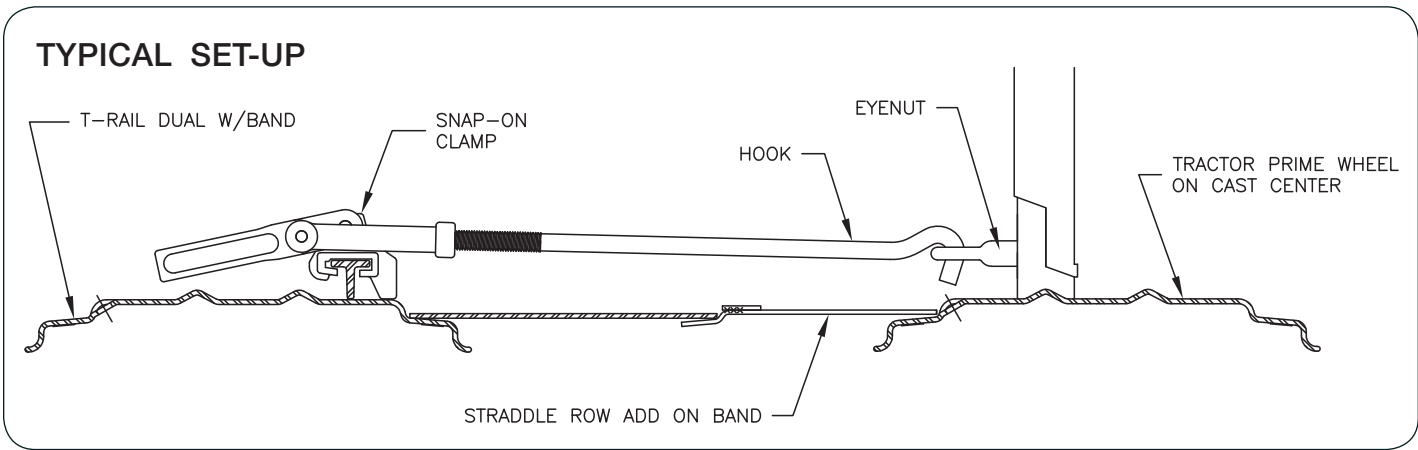
ADDITIONAL INFORMATION:

- Other sizes of bands available upon request. Please see 3-31 for band styles.
- These Bands are normally painted Silver-Mist, other colors available upon request.

Straddle-Row Add-On Bands

Straddle-Row Band Reference Chart

Stock Number	Width	Diameter
1968	4"	38"
1969	6"	38"
1970	8"	38"
1971	10"	38"
1972	12"	38"
1973	14"	38"
1975	4"	42"
1976	6"	42"
1977	8"	42"
1978	10"	42"



Straight Bands and Bell Bands

The bands listed on this page are loose bands for replacement and/or salvage projects. To ensure that a proper size band is provided, always determine what size tires are being used on both the original wheel and the dual wheel. This will help to ensure a properly sized band is supplied.

Straight Replacement Bands - 14" to 38" Diameter Rims

Description	Approx. Weight	Stock Number
6" wide x 14" to 38" diameter	Weight Varies	B6 x 14-38
8" wide x 14" to 38" diameter	Weight Varies	B8 x 14-38
10" wide x 14" to 38" diameter	Weight Varies	B10 x 14-38
12" wide x 14" to 38" diameter	Weight Varies	B12 x 14-38
14" wide x 14" to 38" diameter	Weight Varies	B14 x 14-38
16" wide x 14" to 38" diameter	Weight Varies	B16 x 14-38
18" wide x 14" to 38" diameter	Weight Varies	B18 x 14-38

Straight Replacement Bands - 42" to 54" Diameter Rims

Description	Approx. Weight	Stock Number
6" wide x 42" to 54" diameter	Weight Varies	B6 x 42-54
8" wide x 42" to 54" diameter	Weight Varies	B8 x 42-54
10" wide x 42" to 54" diameter	Weight Varies	B10 x 42-54
12" wide x 42" to 54" diameter	Weight Varies	B12 x 42-54
14" wide x 42" to 54" diameter	Weight Varies	B14 x 42-54
16" wide x 42" to 54" diameter	Weight Varies	B16 x 42-54
18" wide x 42" to 54" diameter	Weight Varies	B18 x 42-54

Step-Up / Down Bell Bands

Tire Size		Description	Approx. Weight	Stock Number
On Tractor / Combine	To Be Used On Dual			
23.1 x 30	18.4x34		54 lbs.	BB1234-30P
24.5 or 30.5 x 32	18.4 or 20.8x38		64 lbs.	BB1438-32P
Used on any 38"	Used on any 42"	10" wide x 42" to 38" diameter	97 lbs.	18273SM
		12" wide x 42" to 38" diameter	109 lbs.	18272SM
		14" wide x 42" to 38" diameter	122 lbs.	18270SM

ADDITIONAL INFORMATION:

- These Bands are normally painted Silver-Mist, other colors available upon request.

A large, empty rectangular box with rounded corners, intended for taking notes. The box is white and occupies most of the page area below the header.

SECTION 4: Tractor Conversion / Replacement Rim & Wheels for Cast Centers / Step-Ups

(Click on the Section you would like to navigate to)

42" Wheel Cast Center Double Bevel & Stub Disc Rims

38" Wheel Cast Center Double Bevel, Single Bevel & Stub Disc Rims

36" Wheel Cast Center Double Bevel & Stub Disc Rims

34" Wheel Cast Center Double Bevel Rims

John Deere Metric Cast Center – Stub Disc Wheels

AGCO, Challenger, M-F & Fendt Cast Centers – Stub Disc Wheels

Single & Double Bevel Conversion Lugs

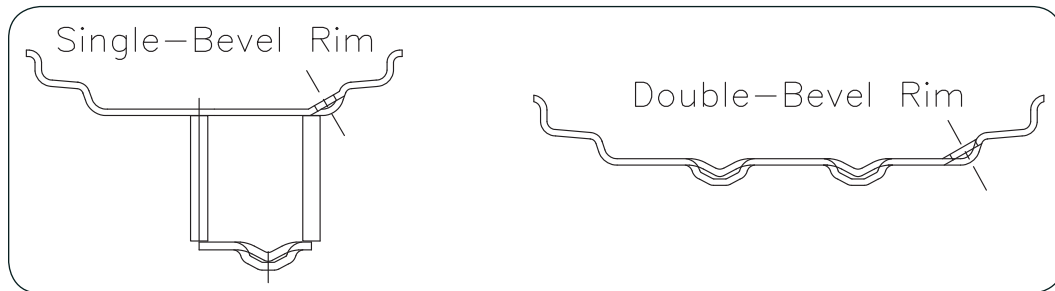
Replacement Conversion Lug

Conversion / Replacement Rims & Wheels for Tractors with Cast Centers

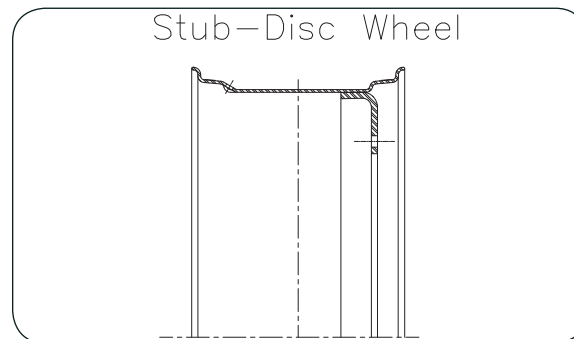
This section contains replacement and changeover rims and wheels. There are three basic designs of rims / wheels in this section.

They are:

- A. Double-bevel or Single-bevel rims (These normally replace existing double-bevel rims)



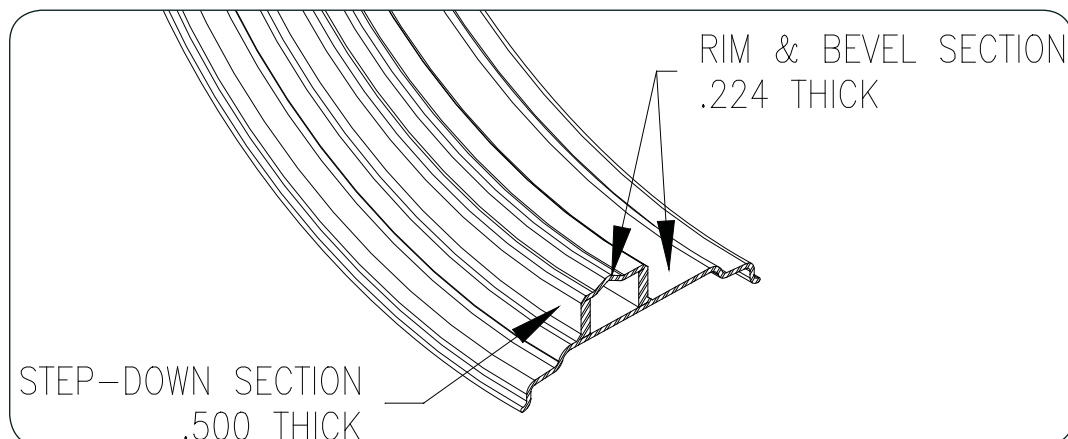
- B. Stub-disc wheels (These can replace either a double-bevel rim or an existing stub-disc wheel)



These rims and wheels can be used to replace the same size rim / wheel or to changeover the tractor to a different size rim or wheels.

Step-Up To Unverferth Quality

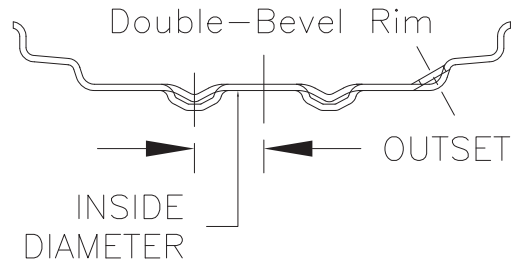
- All Unverferth Double and Single-Bevel Step-Up and replacement rims provide OEM fit with distinctively formed drivers which are precisely spaced for easy and secure mounting of the rim to the tractor cast center.
- All Unverferth Single-Bevel rims feature heavy-duty components.
- All Unverferth rims and wheels are processed through a state-of-the-art washing, cleaning, and powder-coating system assuring a smooth and durable finish.



42" Wheel Cast Centers Double-Bevel Rims

Tractor		Desired Tire Size	Rim / Wheel Dimension		Material Thickness		Wheel Offset*		Rim ID	Approximate Weight	Stock Number
Make	Model		Width	Diameter	Rim	Disc	Inset	Outset			
ANY		16.9-42	14"	42"	.224"	N/A	N/A	2.00"	40.08"	154 lbs.	11851
		18.4-42, 520/85R42	16"		.224"					150 lbs.	11130
		20.8-42	18"		.224"					172 lbs.	11131

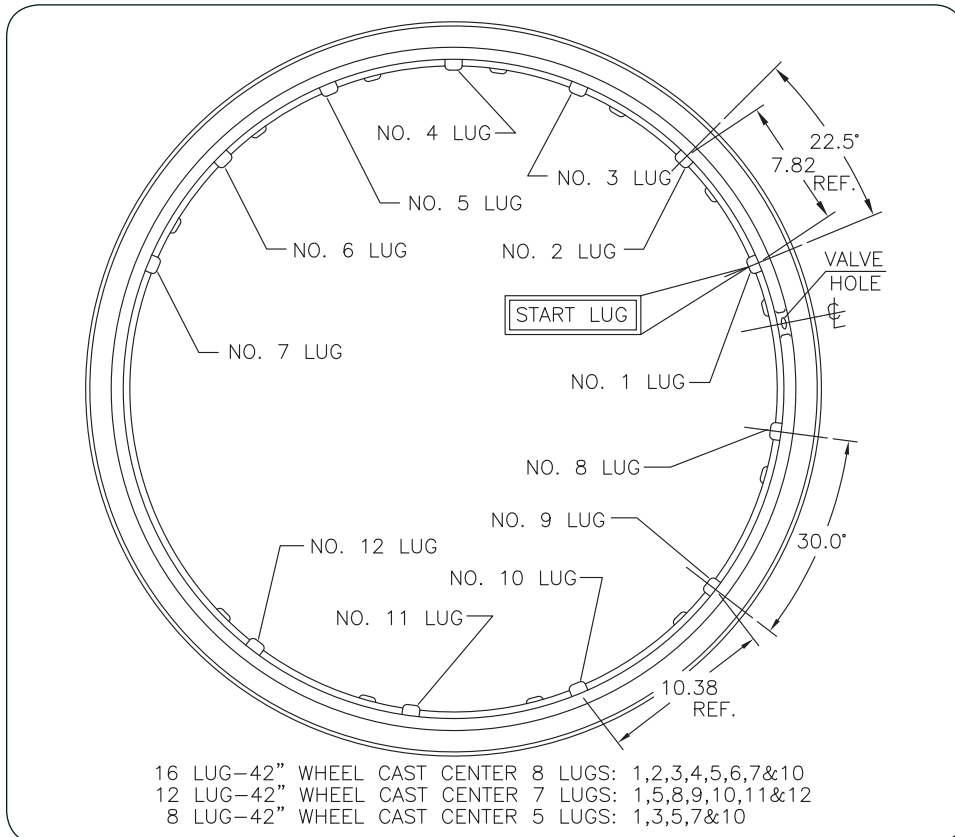
Rim or Wheel Design
See Below For Mounting Positions



* See Page I-16 for Wheel Outset / Inset Definitions.

ADDITIONAL INFORMATION:

- These rims are painted Silver Mist (SM) or Yellow (Y)
- Add SM or Y to Stock Number when ordering.

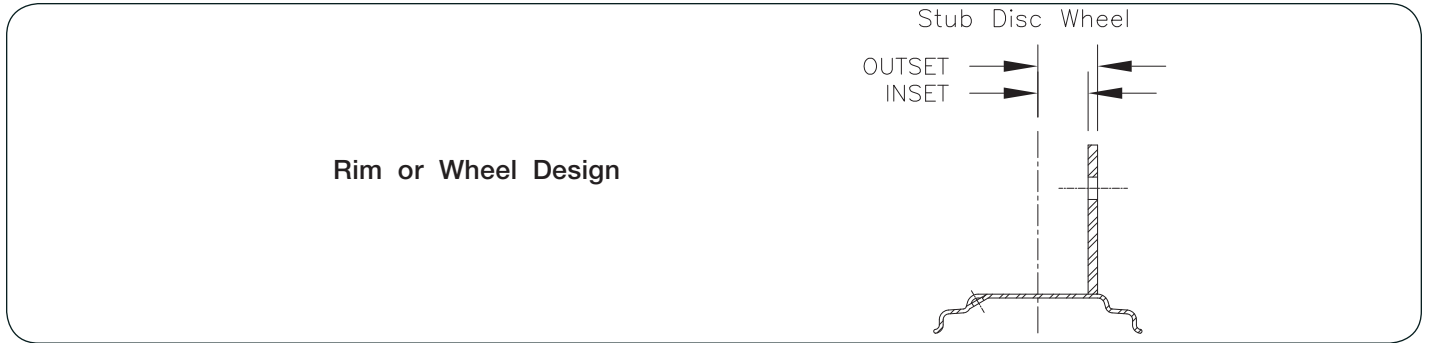


Mounting Positions for 42" Diameter Step-Up

NOTE: John Deere Cast Centers with 12 Lugs in 4 Groups of 3 Mount the same as a 16 Lug.

42" Wheel Cast Centers Stub Disc Wheels

Tractor		Desired Tire Size	Rim / Wheel Dimension		Material Thickness		Wheel Offset*		Bolt Circle	Approximate Weight	Stock Number	
Make	Model		Width	Diameter	Rim	Disc	Inset	Outset				
John Deere	40, 50 & Earlier Series	300/95R46, 320/90R46	10"	46"	.204"	.625"	1.625"	2.25"	16 Holes on 37.375"	215 lbs.	12847Y	
		340/85R46, 13.6x46, 14.9x46, 380/70R46, 380/90R46, 420/80R46	12"		.224"		2.625"	3.25"		226 lbs.	12107Y	
		320/90R50	10"	50"	.224"		2.00"	2.625"		270 lbs.	13030Y	
		380/90R50	12"				1.375"	2.00"		276 lbs.	13863Y	
		12.4R54, 320/90R54	10"	54"	.276"		.500"	1.875"		2.50"	374 lbs.	12857Y



* See Page I-16 for Wheel Outset / Inset Definitions.

ADDITIONAL INFORMATION:

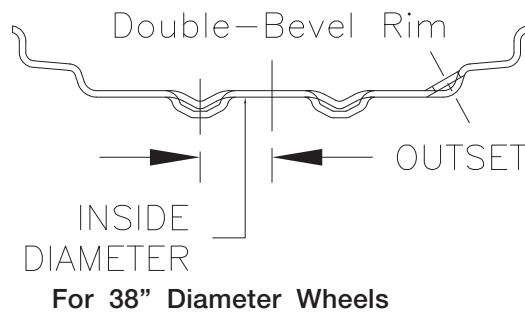
- These rims are painted Silver Mist (SM) or Yellow (Y)
- Add SM or Y to Stock Number when ordering.

38" Wheel Cast Centers Double-Bevel Rims

Tractor		Desired Tire Size	Rim / Wheel Dimension		Material Thickness		Wheel Offset*		Rim ID	Approximate Weight	Stock Number
Make	Model		Width	Diameter	Rim	Disc	Inset	Outset			
ANY		11.2-38, 12.4-38, 320/85R38	10"	38"	.129"	N/A	N/A	2.00"	36.08"	59 lbs.	16371
		12.4-38, 13.6-38, 14.9-38, 380/80R38	12"		.179"					86 lbs.	1173
		15.5-38, 16.9-38	14"		.187"					109 lbs.	1174
		16.9-38, 18.4-38, 520/85R38, 540/65R38	16"		.224"					137 lbs.	11128
		20.8-38, 580/70R38	18"		.187" .224"					126 lbs. 160 lbs.	1176 11129

Rim or Wheel Design

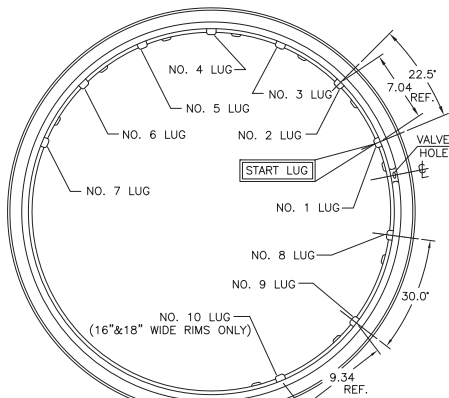
See Below For Mounting Positions



* See Page I-16 for Wheel Outset / Inset Definitions.

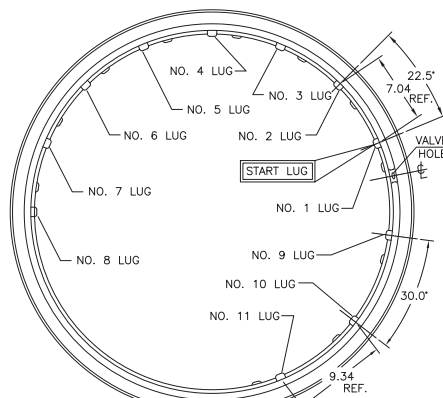
ADDITIONAL INFORMATION:

- These rims are painted Silver Mist (SM) or Yellow (Y)
- Add SM or Y to Stock Number when ordering.



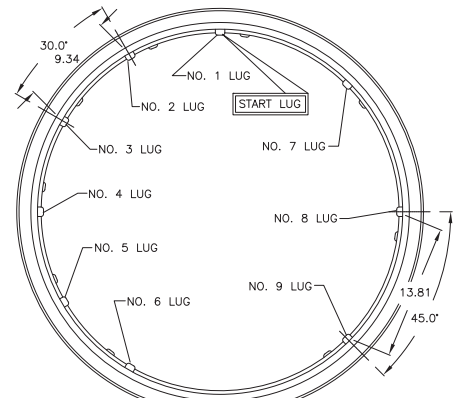
16 LUG-38" WHEEL CAST CENTER 8 LUGS: 1,2,3,4,5,6,7&10
12 LUG-38" WHEEL CAST CENTER 5 LUGS: 1,5,8,9&10
8 LUG-38" WHEEL CAST CENTER 5 LUGS: 1,3,5,7&10

Mounting Positions for 38"
Diameter Step-Up



16 LUG-38" WHEEL CAST CENTER 9 LUGS: 1,2,3,4,5,6,7,8&11
12 LUG-38" WHEEL CAST CENTER 5 LUGS: 1,5,9,10&11
8 LUG-38" WHEEL CAST CENTER 5 LUGS: 1,3,5,7&11

Mounting Positions for Deep Drop
42" to 38" Diameter Step-Up



16 LUG-38" WHEEL CAST CENTER 5 LUGS: 1,4,7,8&9
12 LUG-38" WHEEL CAST CENTER 7 LUGS: 1,2,3,4,5,6&8
8 LUG-38" WHEEL CAST CENTER 5 LUGS: 1,4,7,8&9

Mounting Positions for Deep Drop
46" to 38" Diameter Step-Up

NOTE: John Deere Cast Centers with 12 Lugs in 4 Groups of 3 Mount the same as a 16 Lug.

38" Wheel Cast Centers Double-Bevel Rims

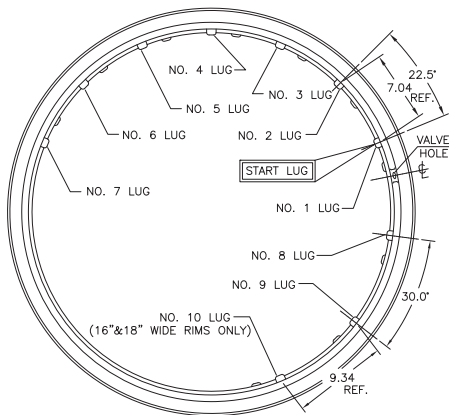
Tractor		Desired Tire Size	Rim / Wheel Dimension		Material Thickness		Wheel Offset*		Rim ID	Approximate Weight	Stock Number
Make	Model		Width	Diameter	Rim	Disc	Inset	Outset			
ANY		16.9-42	14"	42"	.224"	N/A	N/A	1.00"	36.08"	154 lbs.	11609
		18.4-42, 520/85R42	16"					156 lbs.		1770	
		20.8-42	18"					173 lbs.		1771	
		18.4-46, 520/85R46	16"	46"	.276"		271 lbs.	11024			



* See Page I-16 for Wheel Outset / Inset Definitions.

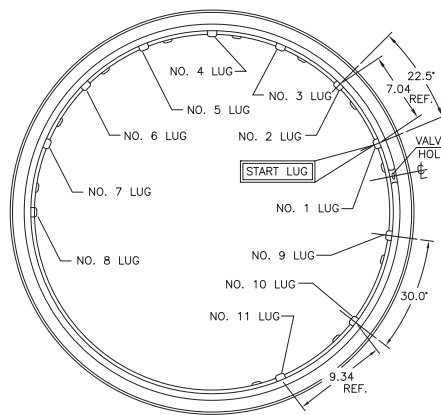
ADDITIONAL INFORMATION:

- These rims are painted Silver Mist (SM) or Yellow (Y)
- Add SM or Y to Stock Number when ordering.



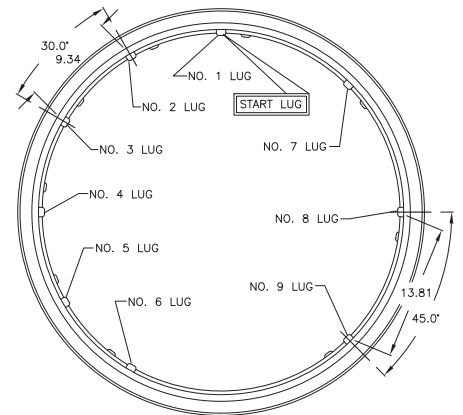
16 LUG-38" WHEEL CAST CENTER 8 LUGS: 1,2,3,4,5,6,7&10
12 LUG-38" WHEEL CAST CENTER 5 LUGS: 1,5,8,9&10
8 LUG-38" WHEEL CAST CENTER 5 LUGS: 1,3,5,7&10

Mounting Positions for 38" Diameter Step-Up



16 LUG-38" WHEEL CAST CENTER 9 LUGS: 1,2,3,4,5,6,7,8&11
12 LUG-38" WHEEL CAST CENTER 5 LUGS: 1,5,9,10&11
8 LUG-38" WHEEL CAST CENTER 5 LUGS: 1,3,5,7&11

Mounting Positions for Deep Drop 42" to 38" Diameter Step-Up



16 LUG-38" WHEEL CAST CENTER 5 LUGS: 1,4,7,8&9
12 LUG-38" WHEEL CAST CENTER 7 LUGS: 1,2,3,4,5,6&8
8 LUG-38" WHEEL CAST CENTER 5 LUGS: 1,4,7,8&9

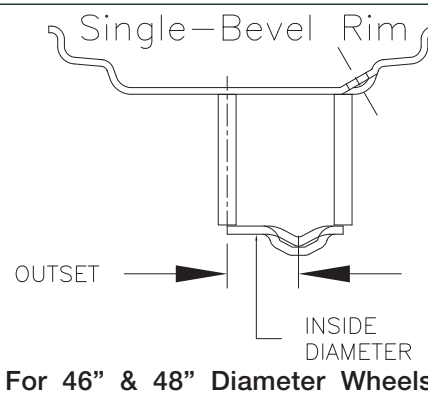
Mounting Positions for Deep Drop 46" to 38" Diameter Step-Up

NOTE: John Deere Cast Centers with 12 Lugs in 4 Groups of 3 Mount the same as a 16 Lug.

38" Wheel Cast Centers Single-Bevel Rims

Tractor		Desired Tire Size	Rim / Wheel Dimension		Material Thickness		Wheel Offset*		Rim ID	Approximate Weight	Stock Number
Make	Model		Width	Diameter	Rim	Disc	Inset	Outset			
ANY		340/85R46, 13.6x46, 14.9x46, 380/70R46, 380/90R46, 420/80R46	12"	46"	.224"	N/A	N/A	1.75"	36.08"	255 lbs.	10939
		230/95R48, 9.5x48	8"	48"	.204"	N/A	N/A	.50"	36.08"	276 lbs.	11026

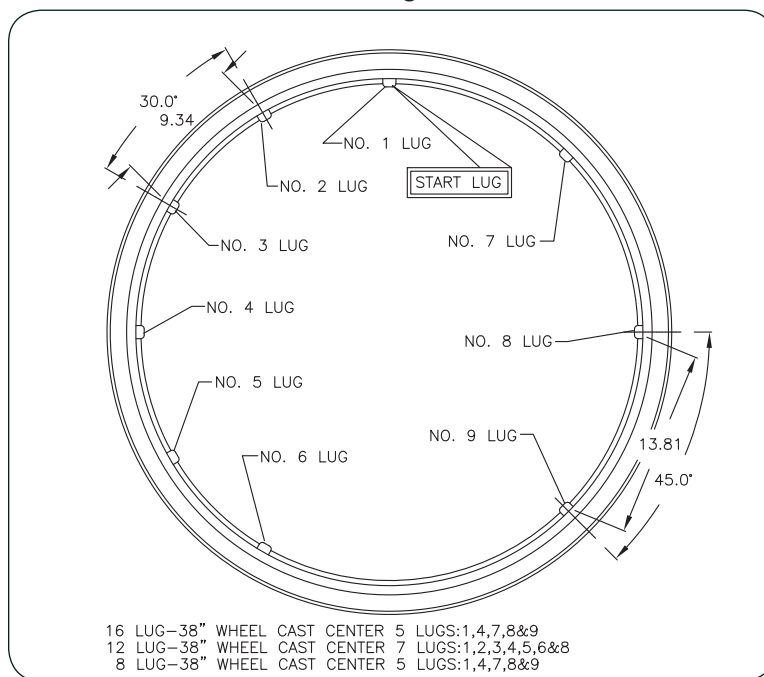
Rim or Wheel Design
See Below For Mounting Positions



* See Page I-16 for Wheel Outset / Inset Definitions.

ADDITIONAL INFORMATION:

- These rims are painted Silver Mist (SM) or Yellow (Y)
- Add SM or Y to Stock Number when ordering.

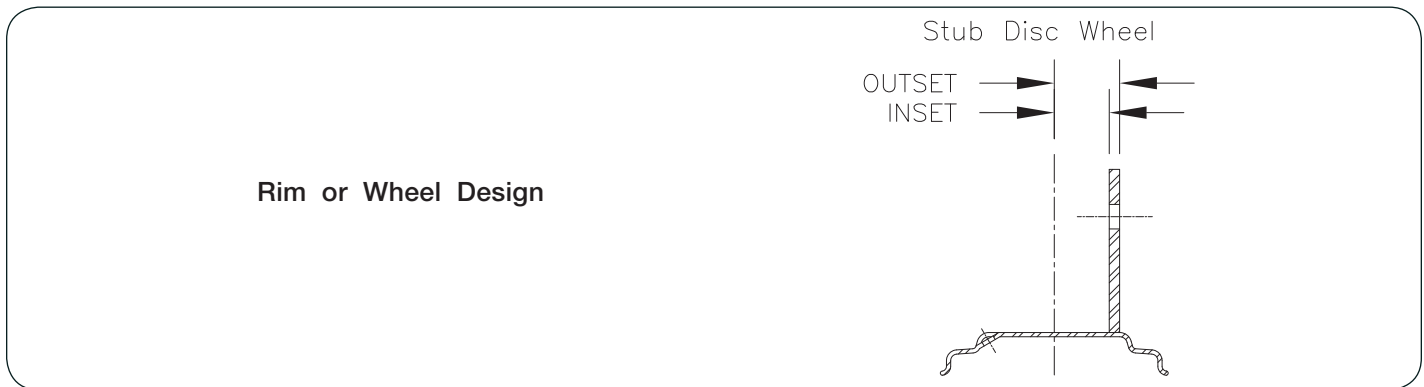


Mounting Positions for 42" Diameter Step-Up

NOTE: John Deere Cast Centers with 12 Lugs in 4 Groups of 3 Mount the same as a 16 Lug.

38" Wheel Cast Centers Stub Disc Wheels

Tractor		Desired Tire Size	Rim / Wheel Dimension		Material Thickness		Wheel Offset*		Bolt Circle	Approx. Weight	Stock Number
Make	Model		Width	Diameter	Rim	Disc	Inset	Outset			
Case-IH	8 Lug: 5100 & 5200 Series; 16 Lug: 7100, 7200 & 8900 Series	300/95R46, 320/90R46	10"	46"	.204"	.625"	1.625"	2.25"	16 Holes on 30.375"	271 lbs.	12104SM
	7100, 7200 & 8900 Series w/Universal Cast & Double-Bevel Rim								12 Holes on 30.375" (Has Scalloped Pilot Hole)	249 lbs.	12946SM
	7100, 7200 & 8900 Series w/Universal Cast & OE Stub Disc Wheel								12 Holes on 30.375"	277 lbs.	12949SM
John Deere 20, 30, 40 & 50 Series	16 Holes on 33.375"								252 lbs.	12846Y	
New Holland	70 Series Genesis								12 Holes on 30.375"	277 lbs.	12949W



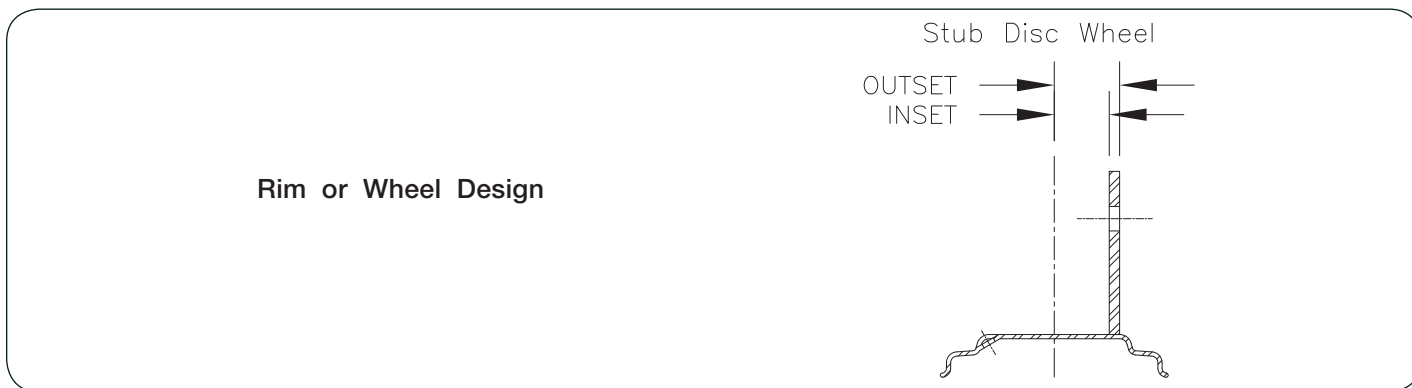
* See Page I-16 for Wheel Outset / Inset Definitions.

ADDITIONAL INFORMATION:

- These rims are painted Silver Mist (SM) or Yellow (Y)
- Add SM or Y to Stock Number when ordering.

38" Wheel Cast Centers Stub Disc Wheels

Tractor		Desired Tire Size	Rim / Wheel Dimension		Material Thickness		Wheel Offset*		Bolt Circle	Approx. Weight	Stock Number
Make	Model		Width	Diameter	Rim	Disc	Inset	Outset			
Case-IH	8 Lug: 5100 & 5200 Series; 16 Lug: 7100, 7200 & 8900 Series	340/85R46, 13.6x46, 14.9x46, 380/70R46, 380/90R46, 420/80R46	12"	46"	.224"	.625"	2.625"	3.25"	16 Holes on 30.375"	282 lbs.	12108SM
	7100, 7200 & 8900 Series w/Universal Cast & Double-Bevel Rim								12 Holes on 30.375" (Has Scalloped Pilot Hole)	259 lbs.	12110SM
	7100, 7200 & 8900 Series w/Universal Cast & OE Stub Disc Wheel								12 Holes on 30.375"	295 lbs.	12950SM
John Deere 20, 30, 40 & 50 Series	16 Holes on 33.375"								263 lbs.	12106Y	
International	Any w/38" Cast Center								16 Holes on 32.75"	263 lbs.	12109SM
New Holland	70 Series Genesis								12 Holes on 30.375"	295 lbs.	12950W
Case-IH	8 Lug: 5100 & 5200 Series; 16 Lug: 7100, 7200 & 8900 Series	320/90R50	10"	50"	.224"	.625"	2.00"	2.625"	16 Holes on 30.375"	326 lbs.	13026SM
	7100, 7200 & 8900 Series w/Universal Cast & Double-Bevel Rim								12 Holes on 30.375" (Has Scalloped Pilot Hole)	303 lbs.	13027SM



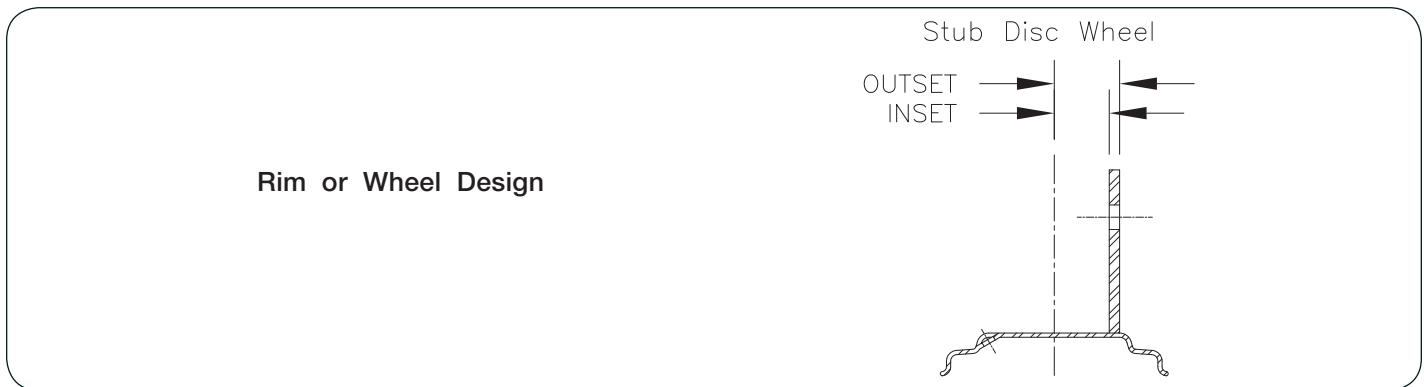
* See Page I-16 for Wheel Outset / Inset Definitions.

ADDITIONAL INFORMATION:

- These rims are painted Silver Mist (SM) or Yellow (Y)
- Add SM or Y to Stock Number when ordering.

38" Wheel Cast Centers Stub Disc Wheels

Tractor		Desired Tire Size	Rim / Wheel Dimension		Material Thickness		Wheel Offset*		Bolt Circle	Approx. Weight	Stock Number		
Make	Model		Width	Diameter	Rim	Disc	Inset	Outset					
Case-IH	7100, 7200 & 8900 Series w/Universal Cast & OE Stub Disc Wheel	320/90R50	10"	50"	.224"	.625"	2.00"	2.625"	12 Holes on 30.375"	338 lbs.	13028SM		
John Deere	20, 30, 40 & 50 Series								16 Holes on 33.375"			307 lbs.	13029Y
New Holland	70 Series Genesis								12 Holes on 30.375"				
Case-IH	8 Lug: 5100 & 5200 Series; 16 Lug: 7100, 7200 & 8900 Series	380/90R50	12"	50"	.224"	.625"	1.375"	2.00"	16 Holes on 30.375"	332 lbs.	13867SM		
	7100, 7200 & 8900 Series w/Universal Cast & Double-Bevel Rim								12 Holes on 30.375" (Has Scalloped Pilot Hole)			309 lbs.	13869SM
	7100, 7200 & 8900 Series w/Universal Cast & OE Stub Disc Wheel								12 Holes on 30.375"				
John Deere	20, 30, 40 & 50 Series								16 Holes on 33.375"	313 lbs.	13861Y		
New Holland	70 Series Genesis								12 Holes on 30.375"			338 lbs.	13871W



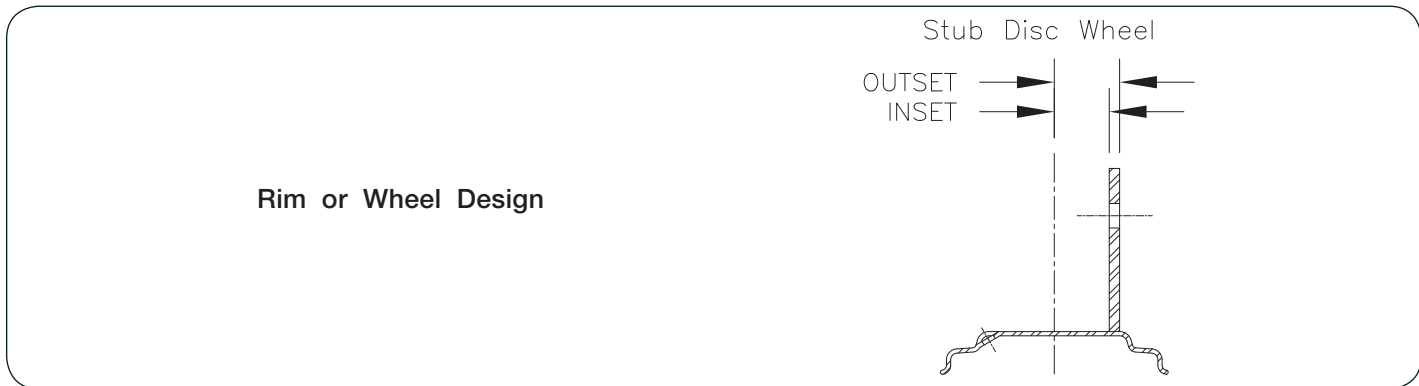
* See Page I-16 for Wheel Outset / Inset Definitions.

ADDITIONAL INFORMATION:

- These rims are painted Silver Mist (SM) or Yellow (Y)
- Add SM or Y to Stock Number when ordering.

38" Wheel Cast Centers Stub Disc Wheels

Tractor		Desired Tire Size	Rim / Wheel Dimension		Material Thickness		Wheel Offset*		Bolt Circle	Approx. Weight	Stock Number
Make	Model		Width	Diameter	Rim	Disc	Inset	Outset			
Case-IH	8 Lug: 5100 & 5200 Series; 16 Lug: 7100, 7200 & 8900 Series	12.4R54, 320/90R54	10"	54"	.276"	.50"	1.875"	2.50"	16 Holes on 30.375"	430 lbs.	12858SM
	7100, 7200 & 8900 Series w/Universal Cast & Double-Bevel Rim								12 Holes on 30.375" (Has Scalloped Pilot Hole)	408 lbs.	12859SM
	7100, 7200 & 8900 Series w/Universal Cast & OE Stub Disc Wheel								12 Holes on 30.375"	436 lbs.	12951SM
John Deere 20, 30, 40 & 50 Series	16 Holes on 33.375"								411 lbs.	12852Y	
New Holland	70 Series Genesis								12 Holes on 30.375"	436 lbs.	12951W



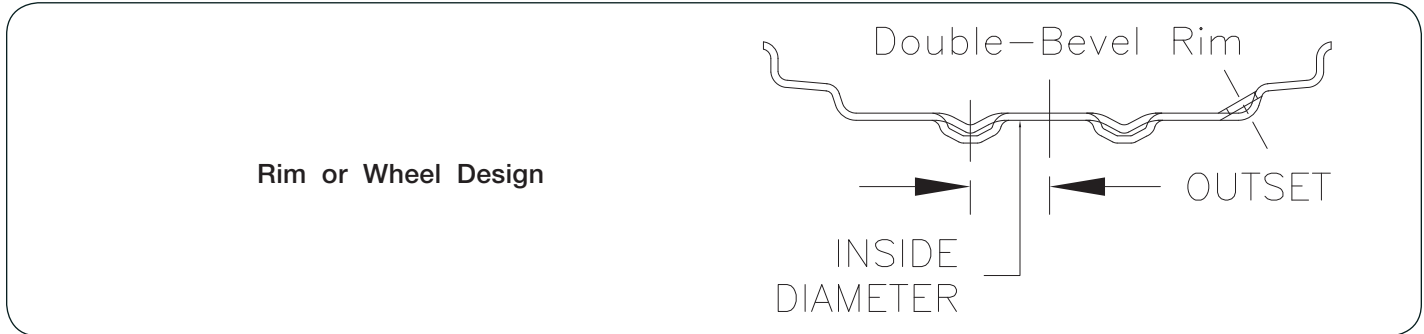
* See Page I-16 for Wheel Outset / Inset Definitions.

ADDITIONAL INFORMATION:

- These rims are painted Silver Mist (SM) or Yellow (Y)
- Add SM or Y to Stock Number when ordering.

36" Wheel Cast Centers Double-Bevel Rims

Tractor		Desired Tire Size	Rim / Wheel Dimension		Material Thickness		Wheel Offset*		Rim ID	Approx. Weight	Stock Number
Make	Model		Width	Diameter	Rim	Disc	Inset	Outset			
ANY		13.6-36, 13.9-36	12"	36"	.165"	N/A	N/A	2.00"	34.08"	78 lbs.	12091



* See Page I-16 for Wheel Outset / Inset Definitions.

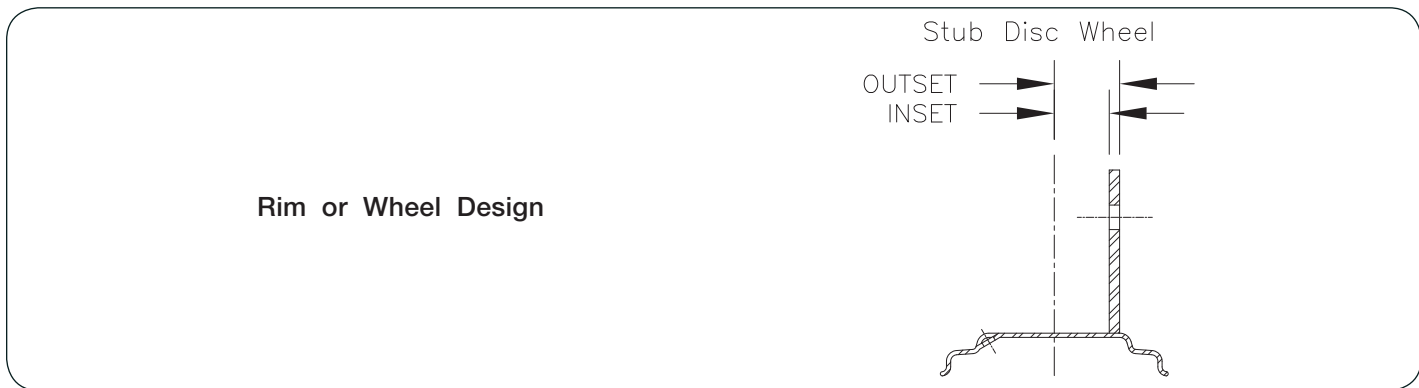
** For Mannheim, Germany produced and other tractors with 36" Cast Centers.

ADDITIONAL INFORMATION:

- These rims are painted Silver Mist (SM) or Yellow (Y)
- Add SM or Y to Stock Number when ordering.

36" Wheel Cast Centers Stub Disc Wheels

Tractor		Desired Tire Size	Rim / Wheel Dimension		Material Thickness		Wheel Offset*		Bolt Circle	Approx. Weight	Stock Number
Make	Model		Width	Diameter	Rim	Disc	Inset	Outset			
John Deere	6000/ 6010 Series, 2940 & Similar (Mannheim Produced, 36" Wheel Cast Center)	300/95R46, 320/90R46	10"	46"	.204"	.625"	1.625"	2.25"	16 Holes on 31.375"	269 lbs.	12848Y
		340/85R46, 13.6x46, 14.9x46, 380/70R46, 380/90R46, 420/80R46	12"		.224"		2.625"	3.25"		280 lbs.	12850Y
		320/90R50	10"	50"	.224"	.625"	2.00"	2.625"		324 lbs.	13031Y
		380/90R50	12"				1.375"	2.00"		329 lbs.	13865Y
		12.4R54, 320/90R54	10"	54"	.276"	.50"	1.875"	2.50"		428 lbs.	12860Y



* See Page I-16 for Wheel Outset / Inset Definitions.

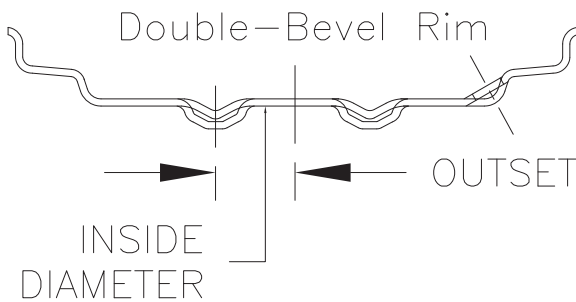
ADDITIONAL INFORMATION:

- These rims are painted Silver Mist (SM) or Yellow (Y)
- Add SM or Y to Stock Number when ordering.

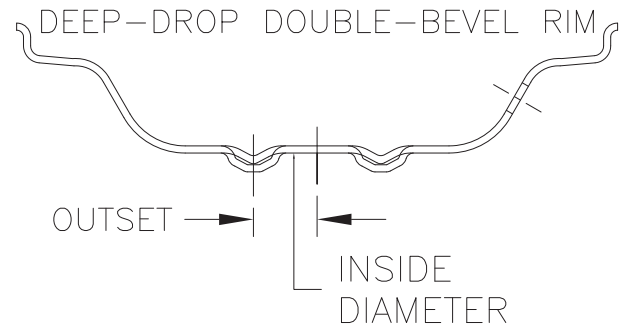
34" Wheel Cast Centers Double-Bevel Rims

Tractor		Desired Tire Size	Rim / Wheel Dimension		Material Thickness		Wheel Offset*		Rim ID	Approx. Weight	Stock Number
Make	Model		Width	Diameter	Rim	Disc	Inset	Outset			
Case / Case-IH	4WD w/10 Lug Cast Center	16.9-34, 18.4-34, 480/70R34	16"	34"	.179"	N/A	N/A	2.00"	32.08"	105 lbs.	1186SM
ANY w/12	Lug Cast Center									105 lbs.	11124
Case / Case-IH	4WD w/10 Lug Cast Center	20.8-34	18"		.187"					112 lbs.	11125SM
ANY w/12	Lug Cast Center	20.8-34								112 lbs.	11127
ANY w/12	Lug Cast Center	23.1-34, 600/65R34, 650/75R34	20"		.187"					131 lbs.	11831
ANY w/12	Lug Cast Center	16.9-38, 18.4-38, 520/85R38, 540/65R38	16"	38"	.187"	N/A	N/A	2.00"	32.08"	123 lbs.	1766
Case / Case-IH	4WD w/10 Lug Cast Center		123 lbs.							1768SM	
ANY w/12	Lug Cast Center	20.8-38, 580/70R38	18"							136 lbs.	1767
Case / Case-IH	4WD w/10 Lug Cast Center	136 lbs.		1769SM							

Rim or Wheel Design



For 34" Diameter Wheels



For 38" Diameter Wheels

* See Page I-16 for Wheel Outset / Inset Definitions.

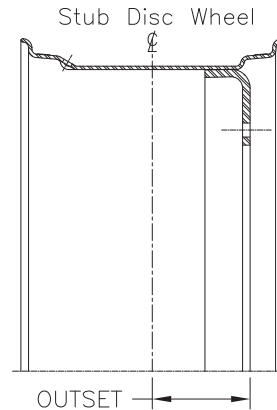
ADDITIONAL INFORMATION:

- These rims are painted Silver Mist (SM) or Yellow (Y)
- Add SM or Y to Stock Number when ordering.

John Deere Metric Cast Centers Stub Disc Wheels

Tractor		Desired Tire Size	Rim / Wheel Dimension		Material Thickness		Wheel Offset*		Bolt Circle	Approx. Weight	Stock Number				
Make	Model		Width	Diameter	Rim	Disc	Inset	Outset							
John Deere	55, 60, 70, 7000, 7010, 7020, 7030, 7000R, 8000, 8010, 8020, 8030, 8000R, 9000 9020, 9030 Series	18.4R42	16"	42"	.224"	.50"	2.75"	-3.25"	12 Holes on 32.047"	347 lbs.	13877Y**				
							6.00"	-6.50"		347 lbs.	12944Y***				
		20.8R42	18"				2.75"	-3.25"		369 lbs.	13875Y**				
							6.00"	-6.50"		369 lbs.	13129Y***				
			340/85R46, 13.6x46, 14.9x46, 380/70R46, 380/90R46, 420/80R46	12"			46"	2.75"		-3.25"	360 lbs.	13870Y**			
				3.375"				-3.875"		360 lbs.	13130Y***				
			14.9x46, 380/70R46, 380/90R46, 420/80R46	13"				2.75"		-3.25"	307 lbs.	18071Y			
				2.75"				-3.25"		330 lbs.	13876Y**				
				3.375"				-3.875"		330 lbs.	13100Y				
				6.00"				-6.50"		330 lbs.	15359Y***				
			18.4R46, 520/80R46	16"											
			320/90R50	10"			50"	.224"		.375"	3.00"	-2.625"	12 Holes on 32.049"	266 lbs.	110196Y**
			380/90R50, 380/105R50	12"				.224"		.375"	3.00"	-2.625"	284 lbs.	110197Y**	
			480/80R50	15"				.224"		.375"	3.00"	-2.625"	316 lbs.	110164Y**	

Rim or Wheel Design



* See Page I-16 for Wheel Outset / Inset Definitions.

** Matches current production offset.

*** Matches 55 & 60 series production offset.

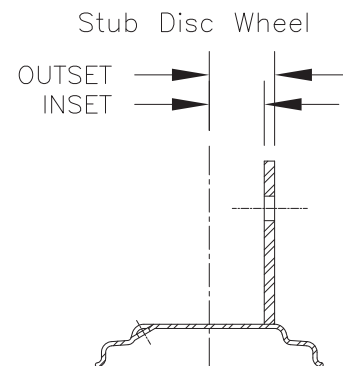
ADDITIONAL INFORMATION:

- These rims are painted Silver Mist (SM) or Yellow (Y)
- Add SM or Y to Stock Number when ordering.

John Deere Metric Cast Centers Stub Disc Wheels

Tractor		Desired Tire Size	Rim / Wheel Dimension		Material Thickness		Wheel Offset*		Bolt Circle	Approx. Weight	Stock Number
Make	Model		Width	Diameter	Rim	Disc	Inset	Outset			
John Deere	55, 60, 70, 7000, 7010, 7020, 7030, 7000R, 8000, 8010, 8020, 8030, 8000R, 9000 9020, 9030 Series	270/95R38, 11.2x38, 290/90R38, 12.4x38, 12.4R38, 320/85R38	10"	38"	.187"	.625"	1.375"	2.00"	12 Holes on 32.047"	136 lbs.	110120Y
		340/85R38, 13.6x38, 13.6R38, 14.9x38, 14.9R38, 380/80R38	12"		.187"	.625"	1.375"	2.00"		148 lbs.	110121Y
		460/85R38, 18.4x38, 18.4R38, 480/70R38, 480/80R38, 520/70R38, 520/85R38, 20.8R38, 540/65R38, 600/65R38, 650/65R38	16"		.187"	.625"	2.75"	3.375"		174 lbs.	110122Y
		520/70R38, 520/85D38, 520/85R38, 20.8x38, 20.8R38, 540/65R38, 580/70R38, 600/65R38, 620/70R38, 650/65R38	18"		.187"	.625"	3.375"	4.00"		186 lbs.	110123Y
		710/70R38	23"		.276"	.625"	2.75"	-6.50"		299 lbs.	15320Y**

Rim or Wheel Design



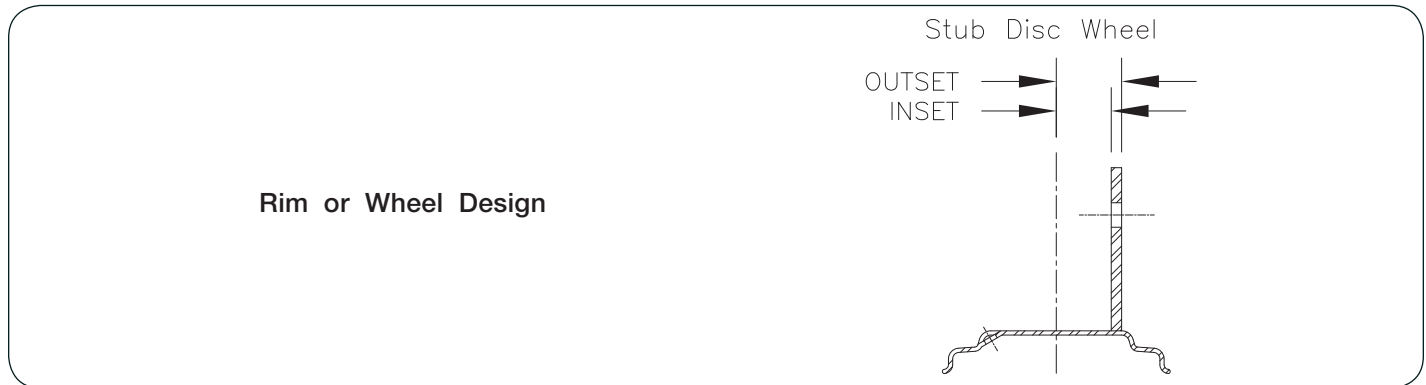
- * See Page I-16 for Wheel Outset / Inset Definitions.
- ** Matches current production offset.
- *** Matches 55 & 60 series production offset.

ADDITIONAL INFORMATION:

- These rims are painted Silver Mist (SM) or Yellow (Y)
- Add SM or Y to Stock Number when ordering.

John Deere Metric Cast Centers Stub Disc Wheels

Tractor		Desired Tire Size	Rim / Wheel Dimension		Material Thickness		Wheel Offset*		Bolt Circle	Approx. Weight	Stock Number
Make	Model		Width	Diameter	Rim	Disc	Inset	Outset			
John Deere	55, 60, 70, 7000, 7010, 7020, 7030, 7000R, 8000, 8010, 8020, 8030, 8000R, 9000, 9020, 9030 Series	620/70R42	20"	42"	.276"		2.75"	-3.375"	12 Holes on 32.047"	323 lbs.	15347Y**
		710/70R42	23"				2.75"	-3.375"		371 lbs.	15349Y**
		300/95R46, 320/90R46	10"	46"	.204"		1.625"	2.25"		251 lbs.	12103Y
		340/85R46, 13.6x46, 14.9x46, 380/70R46, 380/90R46, 420/80R46	12"		.224"		2.625"	3.25"		274 lbs.	12105Y
		620/70R46	20"		.276"	.875"	2.312"	3.187"		432 lbs.	17696Y
		320/90R50	10"				2.00"	2.625"		324 lbs.	12925Y
		380/90R50	12"	50"	.224"	.625"	2.875"	3.50"		344 lbs.	13859Y
		480/80R50	15"				3.625"	4.25"		372 lbs.	15920Y
		12.4R54, 320/90R54	10"	54"	.276"	.50"	1.875"	2.50"		422 lbs.	12402Y
		380/90R54	12"				.276"	.625"		2.75"	3.375"



* See Page I-16 for Wheel Outset / Inset Definitions.

** Matches current production offset.

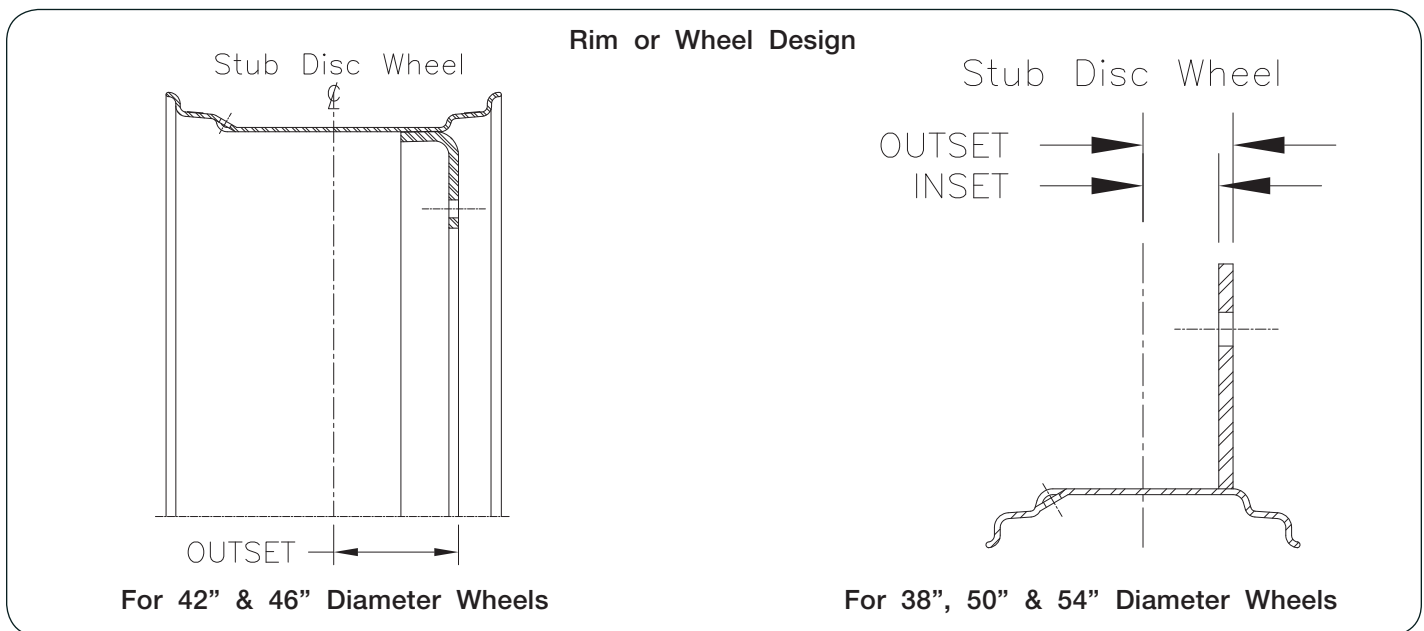
*** Matches 55 & 60 series production offset.

ADDITIONAL INFORMATION:

- These rims are painted Silver Mist (SM) or Yellow (Y)
- Add SM or Y to Stock Number when ordering.

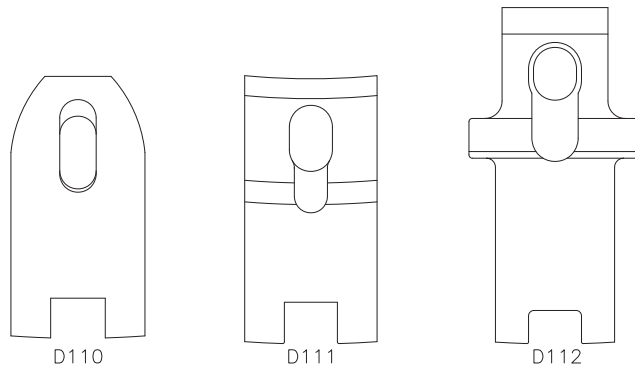
Agco, Challenger, Massey Ferguson & Fendt Cast Centers Stub Disc Wheels

Tractor		Desired Tire Size	Rim / Wheel Dimension		Material Thickness		Wheel Offset*		Bolt Circle	Approx. Weight	Stock Number
Make	Model		Width	Diameter	Rim	Disc	Inset	Outset			
AGCO, Challenger, Massey Ferguson, Fendt	800 & 900 Series, 7400, 8200, 8400 & 8600 Series, MT500B & MT600B Series, RT & DT Series	320/90R50	10"	50"	.224"	.375"	2.812"	3.187"	12 Holes on 30.375"	274 lbs.	110199ACG
		12.4R54, 320/90R54		54"	.276"	.625"	1.875"	2.50"		435 lbs.	17580ACG
		380/90R50, 380/105R50	12"	50"	.224"	.375"	2.812"	3.187"		293 lbs.	110200ACG
		380/90R50			.224"	.625"	2.875"	3.50"		358 lbs.	16805ACG
		380/90R54		54"	.276"	.625"	2.375"	3.00"		464 lbs.	17833ACG
		14.9-46, 380/70R46, 380/85R46, 380/90R46, 420/80R46	13"	46"	.229"	.50"	2.812"	3.312"		318 lbs.	16531ACG
		480/80R50	15"	50"	.224"	.375"	2.812"	3.187"		324 lbs.	110201ACG
		480/80R50			.224"	.625"	3.50"	4.125"		386 lbs.	17498ACG
		18.4-42	16"	42"	.224"	.50"	2.812"	3.312"		285 lbs.	16562ACG
		18.4-46, 520/85R46		46"	.276"	.50"	2.812"	3.312"		350 lbs.	16815ACG
		20.8-42		42"	.224"	.50"	2.812"	3.312"		301 lbs.	16650ACG
		710/70R38	23"	38"	.276"	.625"	3.00"	3.625"		313 lbs.	16633ACG



* See Page I-16 for Wheel Outset / Inset Definitions.

Single and Double-Bevel Rim Conversion Lugs



Tractors with Double-Bevel Rims can easily be “Stepped-Up” to larger diameter wheels/tires by utilizing the following lugs. Simply remove existing lugs on the tractor, and replace with the appropriate lugs listed below.

This will allow you to mount a new, larger diameter, Single or Double-Bevel rim on the tractor.

Tractor Make Step-Up Lug is Utilized On	Description	Approx. Weight	Stock Number
Allis-Chalmers, Case, Case-IH, Massey-Ferguson	Malleable Iron Step-Up Lug to convert AC, Case, Case-IH and MF Tractors from 34” to 38” or 38” to 42” tires*	4 lbs.	D112
John Deere	Malleable Iron Step-Up Lug to convert JD (Domestic) Tractors from 34” to 38” or 38” to 42” Tires* (Not for 55 Series, 60 Series, or Current Models with Stub-Disc Wheels)	3 lbs.	D110
International (IH)	Malleable Iron Step-Up Lug to convert International (IH) Tractors from 34” to 38” or 38” to 42” Tires *	3 lbs.	D111
White	Models that Utilize Grader Style Clamp	3 lbs.	D110
	Models with #167985A Original Lug	3 lbs.	D112

* By utilizing these lugs and any of the Double-Bevel or Single-Bevel rims on page 4-5 or 4-6, tractors with 34” tires can be converted to 42”, 46”, 48”, 50”, 52”, or 54” tires.

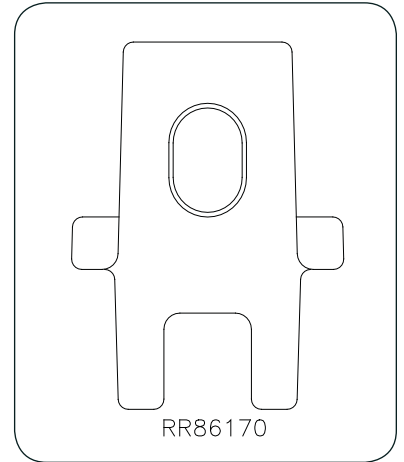
Replacement / Conversion Lug

Some tractors with Power-Shift wheels can easily be converted to a different size tire/wheel assembly. By utilizing this lug and a new Single or Double-Bevel rim, a different size tire/wheel assembly can be installed on the tractor.

EXAMPLE: Allis-Chalmers model 7060 with 20.8x38 tires on Power-Shift wheels. This tractor can be converted to an 18.4x42 tire/wheel assembly using this lug and 1770 rims as shown on page 4-5. This tractor can also be converted to a 14.9x46 tire/wheel assembly using this lug and 10939 rims as shown on page 4-6.

NOTE: Tractor must have a “Cast Center” assembly on inner wheel for this lug to attach to. RR86170 Double-Ramp Clamp for Double-Bevel rim replaces RR85909 Double-Ramp Clamp used in Power-Shift wheel assemblies.

NOTE: Some of the Ford tractors utilize a cast center with power-shift wheels that this conversion lug will not work on. Some of the tractor models are 8000, 8600, 8700, 9000, 9600 & 9700. For these models, a wheel from section 18 must be used. This conversion lug will work on the cast centers utilized on the 8030 series and the TW series with power-shift wheels.



Description	Approx. Weight	Stock Number
Double-Ramp Clamp (for Double-Bevel Rim), Can be used to convert tractor from Power-Shift Wheels to Single or Double-Bevel Rims.	2 lbs.	RR86170

Notes

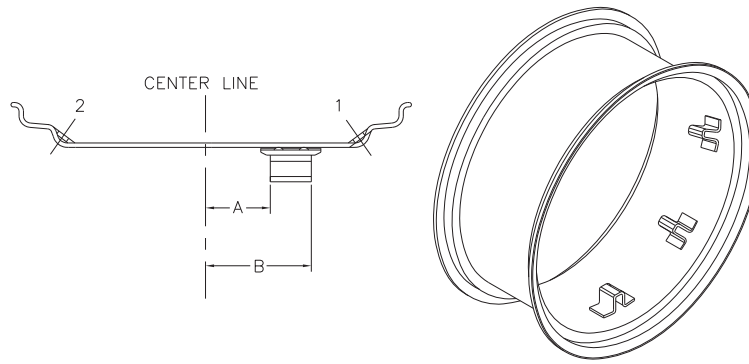
SECTION 5: Tractor Rims With Clamps

(Click on the Section you would like to navigate to)

Replacement Rims with Clamps

Discs & Hardware for Rims with Clamps

Replacement Rims with Clamps



24" Diameter Wheel

Wheel Width	Number of Clamps	Bolt Circle of Clamps	RC Rim Description	Measurements		Valve Stem Side	Rim Thickness	Approx. Weight	Stock Number
				A	B				
7"	4	20.50"	7" x 24" Rim w/4 Clamps (Off White)	.08"	1.92"	1	.130"	31 lbs.	RC724-4*
8"	4	19.75"	8" x 24" Rim w/4 Clamps (Off White)	1.08"	2.92"	1	.129"	33 lbs.	RC824-4
	6	20.25"	8" x 24" Rim w/6 Clamps (Off White)	.29"	2.13"	1	.129"	35 lbs.	RC824-6
9"	4	19.75"	9" x 24" Rim w/4 Clamps (Off White)	1.08"	2.92"	1	.130"	35 lbs.	RC924-4
10"	4	19.75"	10" x 24" Rim w/4 Clamps (Off White)	1.08"	2.92"	1	.129"	37 lbs.	RC1024-4
	6	20.25"	10" x 24" Rim w/6 Clamps (Off White)	1.08"	2.92"	2	.129"	39 lbs.	RC1024-6
12"	4	19.75"	12" x 24" Rim w/4 Clamps (Off White)	1.08"	2.92"	1	.187"	51 lbs.	RC1224-4
	6	20.25"	12" x 24" Rim w/6 Clamps (Off White)	2.37"	4.21"	1	.187"	53 lbs.	RC1224-6

* Rim RC724-4 uses 1/2" carriage bolts.

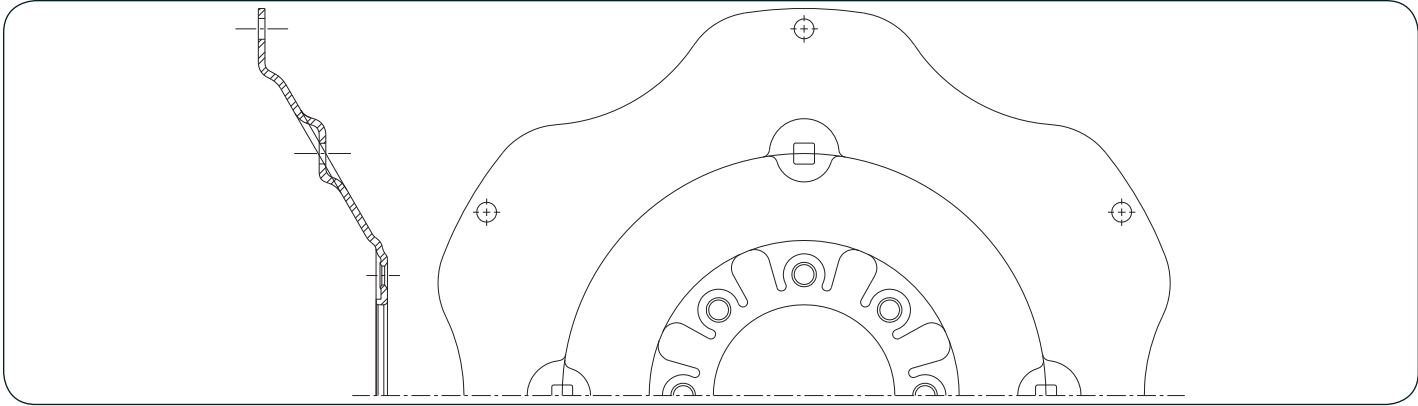
28" Diameter Wheel

Wheel Width	Number of Clamps	Bolt Circle of Clamps	RC Rim Description	Measurements		Valve Stem Side	Rim Thickness	Approx. Weight	Stock Number
				A	B				
9"	6	24.25"	9" x 28" Rim w/6 Clamps (Off White)	1.08"	2.92"	2	.130"	40 lbs.	RC928-6
10"	6	24.25"	10" x 28" Rim w/6 Clamps (Off White)	1.08"	2.92"	2	.187"	46 lbs.	RC1028-6
11"	6	24.25"	11" x 28" Rim w/6 Clamps (Off White)	1.08"	2.92"	2	.156"	53 lbs.	RC1128-6
12"	6	24.25"	12" x 28" Rim w/6 Clamps (Off White)	1.08"	2.92"	2	.157"	68 lbs.	RC1228-6
	8	24.25"	12" x 28" Rim w/8 Clamps (Off White)	1.76"	3.60"	1	.157"	70 lbs.	RC1228-8
15"	8	24.25"	15" x 28" Rim w/8 Clamps (Yellow)	2.73"	4.57"	1	.187"	80 lbs.	RC1528-8

30" Diameter Wheel

Wheel Width	Number of Clamps	Bolt Circle of Clamps	RC Rim Description	Measurements		Valve Stem Side	Rim Thickness	Approx. Weight	Stock Number
				A	B				
13"	8	26.25"	13" x 30" Rim w/8 Clamps (Yellow)	1.00"	3.60"	1	.187"	82 lbs.	RC1330-8
	8	24.25"	13" x 30" Rim w/8 Clamps (Yellow)	2.813"	4.375"	1	.187"	102 lbs.	12909
	8	24.25"	13" x 30" Rim w/8 Clamps (Silver Mist)	2.062"	3.625"	1	.187"	102 lbs.	12910
	8	24.25"	13" x 30" Rim w/8 Clamps (Silver Mist)	.50"	2.062"	1	.187"	102 lbs.	12911
15"	6	24.25"	15" x 30" Rim w/6 Clamps (Yellow)	1.12"	2.68"	1	.187"	106 lbs.	14926Y
	8	24.25"	15" x 30" Rim w/8 Clamps (Silver Mist)	2.062"	3.625"	1	.187"	111 lbs.	12912

Disc for Rims with Clamps

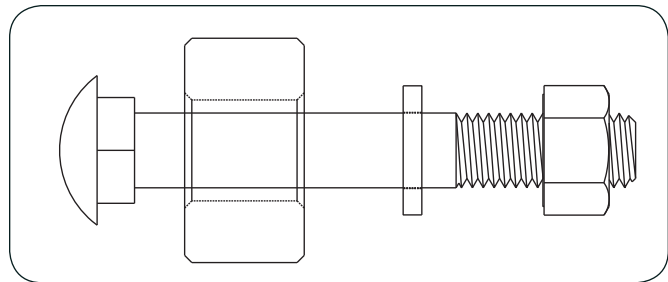
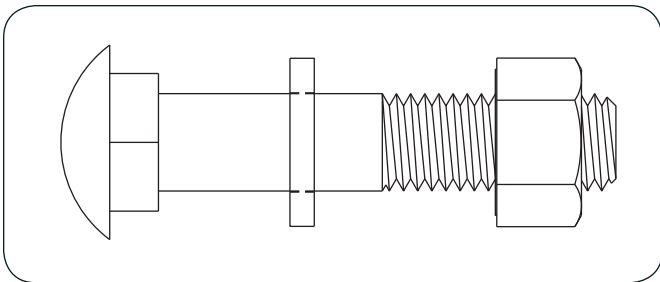


Description	Approximate Weight	Stock Number
Bolt-In, Formed Disc to fit RC824-6, RC1024-6, RC1224-6 (Disc has an Inner Bolt Circle of 8 on 8" - 6" Pilot, .656Ø hole with 90° c'sink.)	24 lbs.	94129
Bolt-In, Formed Disc to fit RC928-6, RC1028-6, RC1128-6, and RC1228-6 (Disc has an Inner Bolt Circle of 8 on 8" - 6" Pilot, .656Ø hole with 90° c'sink.)	32 lbs.	92594 92594Y

Rim & Disc Assembly

Description	Approximate Weight	Stock Number
15 x 30 Rim & Disc Assembly for John Deere 5000/5010 Series Rear	140 lbs.	14927Y

Hardware Packages for Rims with Clamps



Description	Approximate Weight	Stock Number
5/8" N.C. x 3 1/4" Grade 8 Carriage Bolt, Nut, Lockwasher (bolts Disc to RC Rim)	1/2 lbs.	11020
5/8" N.C. x 4 1/2" Grade 5 Carriage Bolt, Nut, Lockwasher & 1" Spacer (bolts Disc to RC Rim)	1 1/4 lbs.	13954

SECTION 6: Tractor / Implement Small Diameter Wheels

(Click on the Section you would like to navigate to)

4 Hole Small Diameter Wheels

5 Hole Small Diameter Wheels

6 Hole Small Diameter Wheels

8 Hole Small Diameter Wheels

10 Hole Small Diameter Wheels

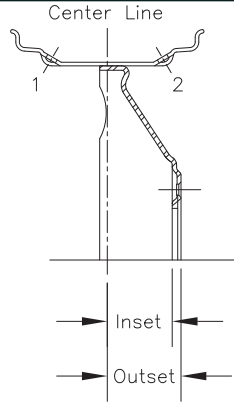
High Capacity Implement Wheels

Skid Steer Wheels 6 Hole

Skid Steer Wheels 8 Hole

Skid Steer Wheels 10 Hole

Four-Hole Small Diameter Wheels



Four-Hole - 4" Bolt Circle - 2.515" Pilot

Tire Sizes Normally Mounted on this Wheel	Wheel Dimension		Wheel Offset		Material Thickness		V/H Side	Capacity	Approx. Weight	Qty. per Pallet	Stock Number
	Dia.	Width	Outset	Inset	Rim	Disc					
16.5x6.5-8	8"	5.375"	-.22"	0	.094"	.190"	1	900 lbs.	7 lbs.		91046

Four-Hole - 5" Bolt Circle - 3.625" Pilot

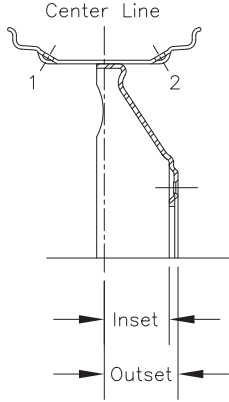
Tire Sizes Normally Mounted on this Wheel	Wheel Dimension		Wheel Offset		Material Thickness		V/H Side	Capacity	Approx. Weight	Qty. per Pallet	Stock Number
	Dia.	Width	Outset	Inset	Rim	Disc					
6.00-14, 7.50-14	14"	5"	-.375"	0	.109"	.130"	1	1250 lbs.	14 lbs.	56	W514-4
5.90-15, 6.40-15, 6.70-15	15"	4.5"	-.375"	0	.120"	.125"	1	1250 lbs.	16 lbs.	56	W4.515-4
7.00/7.60-15, 7.5L15, 25x7.50-15	15"	6"	-.375"	0	.129"	.125"	1	1250 lbs.	18 lbs.	48	W615-4

* See Page I-16 for Wheel Outset / Inset Definitions.

ADDITIONAL INFORMATION:

- The standard color is Off-White (WO).
- Four hole wheels are not reversible
- All five-hole wheels are reversible except those with a NA inset.
- Capscrews and drive-in studs normally used with these wheels can be found in Section 17.

Five-Hole Small Diameter Wheels



Five-Hole - 4.50" Bolt Circle - 2.81" Pilot

Tire Sizes Normally Mounted on this Wheel	Wheel Dimension		Wheel Offset		Material Thickness		V/H Side	Capacity	Approx. Weight	Qty. per Pallet	Stock Number
	Dia.	Width	Outset	Inset	Rim	Disc					
4.00-15, 5.00-15	15"	3"	-1.75"	1.50"	1.09"	.120"	2	900 lbs.	13 lbs.	80	W315-5

Five-Hole - 4.50" Bolt Circle - 3.13" Pilot

Tire Sizes Normally Mounted on this Wheel	Wheel Dimension		Wheel Offset		Material Thickness		V/H Side	Capacity	Approx. Weight	Qty. per Pallet	Stock Number
	Dia.	Width	Outset	Inset	Rim	Disc					
5.00-12	12"	4"	-1.50"	1.12"	.097"	.179"	1	1115 lbs.	8 lbs.	96	W412-5
23x8.50-12, 24x8.50-12	12"	7"	-2.50"	2.25"	.109"	.125"	2	900 lbs.	10 lbs.	60	W712-5

Five-Hole - 5" Bolt Circle - 3.44" Pilot

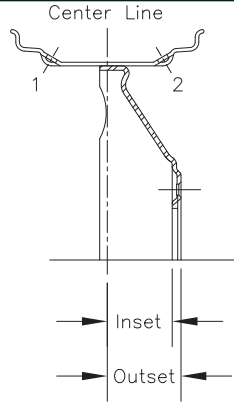
Tire Sizes Normally Mounted on this Wheel	Wheel Dimension		Wheel Offset		Material Thickness		V/H Side	Capacity	Approx. Weight	Qty. per Pallet	Stock Number
	Dia.	Width	Outset	Inset	Rim	Disc					
5.50-16, 6.00-16, 6.50-16	16"	4.25"	-1.75"	1.50"	.156"	.129"	2	1500 lbs.	21 lbs.	48	W4.2516-5AC
7.00/7.50/7.60-16, 9.00-16	16"	5.5"	-1.75"	1.50"	.134"	.129"	2	1800 lbs.	22 lbs.	36	W5.516-5AC

* See Page I-16 for Wheel Outset / Inset Definitions.

ADDITIONAL INFORMATION:

- The standard color is Off-White (WO).
- Four hole wheels are not reversible
- All five-hole wheels are reversible except those with a NA inset.
- Capscrews and drive-in studs normally used with these wheels can be found in Section 17.

Five-Hole Small Diameter Wheels



Five-Hole - 5.50" Bolt Circle - 4" Pilot

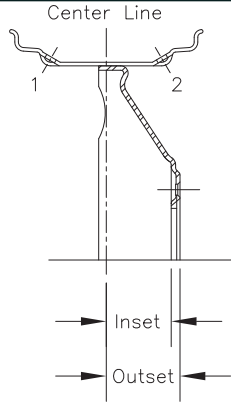
Tire Sizes Normally Mounted on this Wheel	Wheel Dimension		Wheel Offset		Material Thickness		V/H Side	Capacity	Approx. Weight	Qty. per Pallet	Stock Number
	Dia.	Width	Outset	Inset	Rim	Disc					
20.5x8-10, 7.50-10, 9.00-10	10"	6"	-.12"	.12"	.12"	.24"	1	1675 lbs.	10 lbs.	72	W610-5
6.00-14, 7.50-14	14"	5"	-.25"	NA	.125"	.149"	1	1800 lbs.	17 lbs.	48	W514-5
8.5L14	14"	6"	-.25"	NA	.134"	.149"	1	2000 lbs.	18 lbs.	40	W614-5
9.5L14, 11L14	14"	8"	-.25"	NA	.130"	.142"	1	2000 lbs.	22 lbs.	40	W814-5
5.90-15, 6.40-15, 6.70-15	15"	5"	-.25"	NA	.125"	.149"	1	1800 lbs.	19 lbs.	56	W515-5
7.00/7.60-15, 7.5L15, 25x7.50-15	15"	6"	-.25"	NA	.129"	.149"	1	1800 lbs.	19 lbs.	48	W615-5
9.5L15, 10.00-15, 11L15, 25x10.50-15, 27x10.50-15	15"	8"	-.25"	.125"	.156"	.149"	1	1800 lbs.	23 lbs.	40	W815-5
7.00/7.50/7.60-16, 9.00-16	16"	5.5"	-.156"	NA	.134"	.149"	1	1800 lbs.	22 lbs.	36	W5.516-5

* See Page I-16 for Wheel Outset / Inset Definitions.

ADDITIONAL INFORMATION:

- The standard color is Off-White (WO).
- Four hole wheels are not reversible
- All five-hole wheels are reversible except those with a NA inset.
- Capscrews and drive-in studs normally used with these wheels can be found in Section 17.

Six-Hole Small Diameter Wheels



Six-Hole - 6" Bolt Circle - 4.625" Pilot

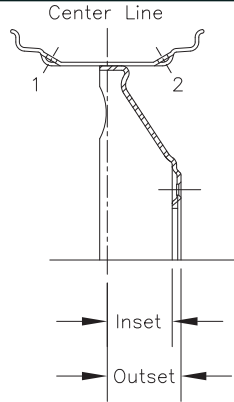
Tire Sizes Normally Mounted on this Wheel	Wheel Dimension		Wheel Offset		Material Thickness		V/H Side	Capacity	Approx. Weight	Qty. per Pallet	Stock Number
	Dia.	Width	Outset	Inset	Rim	Disc					
20.5x8-10, 7.50-10, 9.00-10	10"	6"	-.188"	NA	.179"	.359"	1	1975 lbs.	13 lbs.	72	W610-6
22.5x8.00-12	12"	6"	NA	0"	.100"	.197"	1	2020 lbs.	14 lbs.	NA	W612-6
26x12.00-12	12"	10.5"	-.375"	0"	.109"	.187"	2	1500 lbs.	18 lbs.	48	W10.5012-6
8.5L14	14"	6"	-1.50"	1.125"	.134"	.187"	2	2800 lbs.	20 lbs.	48	W614-6
9.5L14, 11L14	14"	8"	-.36"	0"	.129"	.187"	2	2800 lbs.	22 lbs.	40	W814-6
4.00-15, 5.00-15	15"	3"	-1.375"	1.125"	.109"	.135"	2	1400 lbs.	13 lbs.	80	W315-6
5.90-15, 6.40-15, 6.70-15	15"	5"	-1.50"	1.125"	.125"	.187"	2	1800 lbs.	19 lbs.	56	W515-6
7.00/7.60-15, 7.5L15, 25x7.50-15	15"	6"	-1.50"	1.125"	.129"	.187"	2	3000 lbs.	22 lbs.	48	W615-6
9.5L15, 10.00-15, 11L15, 25x10.50-15, 27x10.50-15	15"	8"	-1.53"	1.12"	.156"	.218"	2	3800 lbs.	30 lbs.	40	W815-6-08
	15"	8"	-.66"	.25"	.156"	.218"	2	3800 lbs.	30 lbs.	40	W815-6-09RG
	15"	8"	-.68"	.25"	.187"	.224"	1	3800 lbs.	35 lbs.	40	902250
11L15, 12.5L15, 25x12.50-15, 29x12.50-15, 31x12.50-15, 31x13.50-15, 33x12.50-15, 36x13.50-15	15"	10"	-1.50"	1.125"	.156"	.224"	2	3800 lbs.	32 lbs.	32	W1015-6-09
	15"	10"	-.780"	.422"	.156"	.187"	2	3000 lbs.	32 lbs.	32	W1015-6-98RG
31x15.50-15	15"	13"	-1.438"	1.125"	.156"	.218"	2	3500 lbs.	37 lbs.	24	W1315-6

* See Page I-16 for Wheel Outset / Inset Definitions.

ADDITIONAL INFORMATION:

- The standard color is Off-White (WO).
- All six-hole wheels are reversible except W610-6 and W612-6.
- Farm Highway service tires for 15" and 16.1" diameter rims may require a heavier rim, please inquire.
- Reinforcing rings are available for all six-hole wheels listed above - see Section 17.
- Capscrews and drive-in studs normally used with these wheels can be found in Section 17.

Six-Hole Small Diameter Wheels



Six-Hole - 6" Bolt Circle - 4.625" Pilot

Tire Sizes Normally Mounted on this Wheel	Wheel Dimension		Wheel Offset		Material Thickness		V/H Side	Capacity	Approx. Weight	Qty. per Pallet	Stock Number
	Dia.	Width	Outset	Inset	Rim	Disc					
5.50-16, 6.00-16, 6.50-16	16"	4.5"	-1.50"	1.125"	.125"	.187"	2	2500 lbs.	24 lbs.	42	W4.516-6
7.00/7.60-16, 7.50-16, 9.00-16	16"	6"	-1.50"	1.125"	.134"	.187"	2	2800 lbs.	26 lbs.	36	W616-6
10.00-16, 11.00-16, 11L16	16"	8"	-1.50"	1.125"	.134"	.218"	2	3500 lbs.	29 lbs.	30	W816-6
	16"	8"	-.625"	.25"	.134"	.218"	2	3800 lbs.	32 lbs.	30	W816-6-38RG
11L16, 11.00-16, 11.2-16, 12.5L16	16"	10"	-1.063"	.688"	.156"	.218"	2	3800 lbs.	35 lbs.	24	W1016-6-28RG
	16"	10"	-1.50"	1.125"	.156"	.218"	2	3800 lbs.	35 lbs.	24	W1016-6-93
13.50-16.1, 14L16.1	16.1"	11"	-2.625"	2.25"	.187"	.218"	2	3800 lbs.	40 lbs.	24	W1116-.1-6**
8.75-16.5, 9.50-16.5, 10-16.5	16.5"	8.25"	-1.50"	1.06"	.171"	.224"	2	4000 lbs.	38 lbs.	24	W8.2516.5-6
12-16.5	16.5"	9.75"	-1.55"	1.12"	.171"	.224"	2	4000 lbs.	42 lbs.	24	W9.7516.5-6
265/70R17	17"	8"	-1.57"	1.12"	.156"	.224"	2	3800 lbs.	40 lbs.	24	W817-6
7.50-18	18"	5.5"	-1.50"	1.125"	.156"	.229"	2	3800 lbs.	33 lbs.	30	W5.518-6
7.50-20	20"	5.5"	-1.563"	1.125"	.156"	.229"	2	3500 lbs.	40 lbs.	28	W5.520-6
9.50-20, 10.00-20, 11.00-20, 260/80R20	20"	8"	-1.50"	1.125"	.187"	.229"	2	3500 lbs.	50 lbs.	20	W820-6***
11-22.5, 11.25-22.5, 12-22.5, 255/70R22.5, 265/75R22.5, 275/70R22.5, 295/75R22.5, 295/80R22.5, 315/80R22.5	22.5"	8.25"	NA	1.12"	.236"	.47"	2	7400 lbs.	98 lbs.	16	W8.2522.5-6***

* See Page I-16 for Wheel Outset / Inset Definitions.

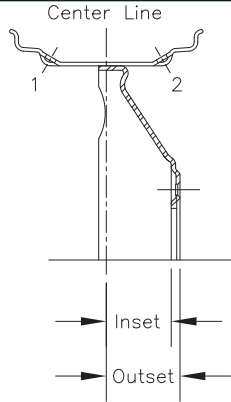
** This wheel will not mount on a hub with brakes.

*** Not for severe duty or tandem axle applications (See Section 18 for wheels for this type of application).

ADDITIONAL INFORMATION:

- The standard color is Off-White (WO).
- All six-hole wheels are reversible except W610-6 and W612-6.
- Farm Highway service tires for 15" and 16.1" diameter rims may require a heavier rim, please inquire.
- Reinforcing rings are available for all six-hole wheels listed above - see Section 17.
- Capscrews and drive-in studs normally used with these wheels can be found in Section 17.

Eight-Hole Small Diameter Wheels



Eight-Hole - 8" Bolt Circle - 6" Pilot

Tire Sizes Normally Mounted on this Wheel	Wheel Dimension		Wheel Offset		Material Thickness		V/H Side	Capacity	Approx. Weight	Qty. per Pallet	Stock Number
	Dia.	Width	Outset	Inset	Rim	Disc					
9.5L15, 10.00-15, 11L15, 25x10.50-15, 27x10.50-15	15"	8"	-1.50"	1.06"	.156"	.229"	2	4500 lbs.	30 lbs.	40	W815-8
11L15, 12.5L15, 25x12.50-15, 29x12.50-15, 31x12.50-15, 31x13.50-15, 33x12.50-15, 36x13.50-15	15"	10"	-1.50"	1.063"	.187"	.229"	1	4500 lbs.	33 lbs.	32	W1015-8-47RG
	15"	10"	-2.688"	2.25"	.156"	.229"	2	4500 lbs.	33 lbs.	32	W1015-8-89
31x15.50-15	15"	13"	-1.50"	1.125"	.156"	.229"	2	5000 lbs.	37 lbs.	24	W1315-8
7.00/7.60-16, 7.50-16, 9.00-16	16"	6"	-1.563"	1.125"	.134"	.229"	2	4000 lbs.	26 lbs.	36	W616-8
10.00-16, 11.00-16, 11L16	16"	8"	-1.875"	1.50"	.187"	.229"	1	5700 lbs.	37 lbs.	30	W816-8
11L16, 11.00-16, 11.2-16, 12.5L16	16"	10"	-1.50"	1.031"	.187"	.229"	1	5500 lbs.	41 lbs.	24	W1016-8-73RG
	16"	10"	-2.688"	2.25"	.187"	.229"	1	5500 lbs.	41 lbs.	24	W1016-8-92
13.50-16.1, 14L16.1	16.1"	11"	-1.50"	1.063"	.187"	.229"	1	6000 lbs.	46 lbs.	24	W1116.1-8-30***
	16.1"	11"	-1.563"	1.125"	.187"	.229"	2	6000 lbs.	44 lbs.	24	W1116.1-8-60**
16.5L16.1	16.1"	14"	-3.375"	2.94"	.187"	.229"	1	5000 lbs.	45 lbs.	18	W1416.1-8**
	16.1"	14"	-.80"	.38"	.179"	.229"	1	6000 lbs.	46 lbs.	18	W1416.1-8-60***
	16.1"	14"	NA	.375"	.187"	.375"	2	8000 lbs.	52 lbs.	18	92587***
18.4-16.1, 19L16.1, 38x20.00-16.1	16.1"	16"	NA	.375"	.187"	.375"	2	8000 lbs.	58 lbs.	18	95389**
	16.1"	16"	Also available as Custom-Built wheel. See Section 18 or 19 for more information.								
21.5L16.1	16.1"	18"	NA	0"	.187"	.375"	2	10000 lbs.	75 lbs.	NA	93905**
	16.1"	18"	Also available as Custom-Built wheel. See Section 18 or 19 for more information.								

* See Page I-16 for Wheel Outset / Inset Definitions.

** This wheel will not mount on a hub with brakes.

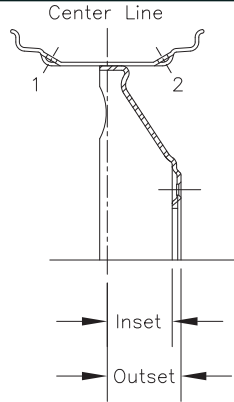
*** This wheel can be used on a hub with brakes.

**** This wheel has a valve stem protector.

ADDITIONAL INFORMATION:

- The standard color is Off-White (WO).
- All eight-hole wheels are reversible except 92587, 93905 and 95389.
- Farm Highway service tires for 15" and 16.1" diameter rims may require a heavier rim, please inquire.
- Reinforcing rings are available for all eight-hole wheels listed above - see Section 17.
- Capscrews and drive-in studs normally used with these wheels can be found in Section 17.

Eight-Hole Small Diameter Wheels



Eight-Hole - 8" Bolt Circle - 6" Pilot

Tire Sizes Normally Mounted on this Wheel	Wheel Dimension		Wheel Offset		Material Thickness		V/H Side	Capacity	Approx. Weight	Qty. per Pallet	Stock Number
	Dia.	Width	Outset	Inset	Rim	Disc					
8.75-16.5, 9.50-16.5, 10-16.5	16.5"	8.25"	-1.50"	1.06"	.171"	.224"	2	5000 lbs.	40 lbs.	24	W8.2516.5-8
12-16.5	16.5"	9.75"	-.80"	.38"	.171"	.224"	2	6000 lbs.	43 lbs.	24	W9.7516.5-8
7.50-20	20"	5.50"	-1.50"	1.125"	.156"	.177"	1	3400 lbs.	32 lbs.	24	W5.520-8
9.50-20, 10.00-20, 11.00-20, 260/80R20	20"	8"	-1.50"	1.125"	.187"	.229"	1	6000 lbs.	51 lbs.	20	W820-8**
11-22.5, 11.25-22.5, 12-22.5, 255/70R22.5, 265/75R22.5, 275/70R22.5, 295/75R22.5, 295/80R22.5, 315/80R22.5	22.5"	8.25"	-1.50"	1.03"	.236"	.47"	1	7400 lbs.	98 lbs.	16	W8.2522.5-8**
15-22.5	22.5"	11.75"	-1.12"	.65"	.236"	.47"	1	9910 lbs.	113 lbs.	12	W11.7522.5-8
15-22.5, 16.5-22.5, 18-22.5, 385/65R22.5, 400/55-22.5, 425/65R22.5, 445/65R22.5	22.5"	13.50"	-2.375"	NA	.205"	.375"	1	6000 lbs.	92 lbs.	12	W13.5022.5-8
	22.5"	13.50"	NA	.281"	.205"	.375"	2	8000 lbs.	92 lbs.	12	92588
11-24.5, 12-24.5, 285/75R24.5	24.5"	8.25"	-1.50"	1.063"	.236"	.472"	1	7400 lbs.	75 lbs.	15	W8.2524.5-8**

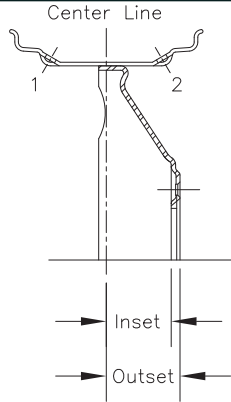
* See Page I-16 for Wheel Outset / Inset Definitions.

** Not for severe duty or tandem axle applications (See Section 18 for wheels for this type of application).

ADDITIONAL INFORMATION:

- The standard color is Off-White (WO).
- All eight-hole wheels are reversible except W13.5022.5-8 and 92588.
- Reinforcing rings are available for all eight-hole wheels listed above - see Section 17.
- Capscrews and drive-in studs normally used with these wheels can be found in Section 17.

Eight-Hole Small Diameter Wheels



Eight-Hole - 10.826" Bolt Circle - 8.70" Pilot

Tire Sizes Normally Mounted on this Wheel	Wheel Dimension		Wheel Offset		Material Thickness		V/H Side	Capacity	Approx. Weight	Qty. per Pallet	Stock Number
	Dia.	Width	Outset	Inset	Rim	Disc					
15-22.5, 16.5-22.5, 18-22.5, 385/65R22.5, 400/55-22.5, 425/65R22.5, 445/65R22.5	22.5"	13.50"	-.50"	0"	.205"	.50"	2	8000 lbs.	95 lbs.	12	W13.5022.5-8BH

Eight-Hole - 10.826" Bolt Circle - 8.75" Pilot

Tire Sizes Normally Mounted on this Wheel	Wheel Dimension		Wheel Offset		Material Thickness		V/H Side	Capacity	Approx. Weight	Qty. per Pallet	Stock Number
	Dia.	Width	Outset	Inset	Rim	Disc					
15-22.5, 16.5-22.5, 18-22.5, 385/65R22.5, 400/55-22.5, 425/65R22.5, 445/65R22.5	22.5"	13"	-.50"	0"	.281"	.50"	2	12000 lbs.	134 lbs.	NA	9001205

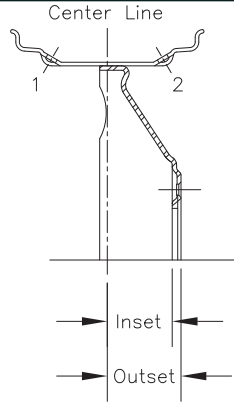
* See Page I-16 for Wheel Outset / Inset Definitions.

** Not for severe duty or tandem axle applications (See Section 18 for wheels for this type of application).

ADDITIONAL INFORMATION:

- The standard color is Off-White (WO).
- All eight-hole wheels are reversible except W13.5022.5-8 and 92588.
- Reinforcing rings are available for all eight-hole wheels listed above - see Section 17.
- Capscrews and drive-in studs normally used with these wheels can be found in Section 17.

Ten-Hole Small Diameter Wheels



Ten-Hole - 11.250" Bolt Circle - 8.82" Pilot

Tire Sizes Normally Mounted on this Wheel	Wheel Dimension		Wheel Offset		Material Thickness		V/H Side	Capacity	Approx. Weight	Qty. per Pallet	Stock Number
	Dia.	Width	Outset	Inset	Rim	Disc					
15-22.5, 16.5-22.5, 18-22.5, 385/65R22.5, 400/55-22.5, 425/65R22.5, 445/65R22.5	22.5"	13"	-.50"	0"	.281"	.50"	2	12000 lbs.	134 lbs.	NA	95542

* See Page I-16 for Wheel Outset / Inset Definitions.

ADDITIONAL INFORMATION:

- The standard color is Off-White (WO).
- All ten-hole wheels are reversible.
- Capscrews and drive-in studs normally used with these wheels can be found in Section 17.

High-Capacity Implement Wheels

8 on 8" Diameter Bolt Circle, 6" Diameter Pilot

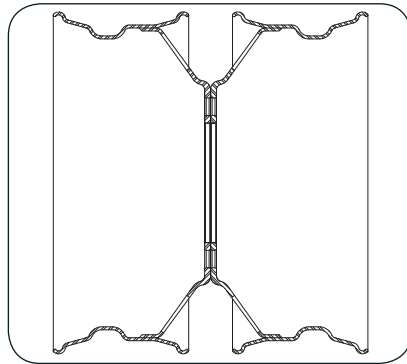
Wheel Dimensions				Tire Size Being Used	Material Thickness		Capacity	Approx. Weight	Stock Number
Diameter	Width	*Wheel Offset			Rim	Disc			
		Outset	Inset						
16.1"	14"	NA	.375"	16.5-16.1	.205"	.375"	8000 lbs.	52 lbs.	92587
	16"	NA	.375"	19L-16.1	.187"	.375"	8000 lbs.	62 lbs.	95389
	18"	-.375"	0"	21.5L-16.1	.187"	.375"	10000 lbs.	75 lbs.	93905
22.5"	13.5"	NA	.315"	16.5-22.5	.256"	.512"	10000 lbs.	133 lbs.	9004747***
22.5"		NA	.281"		.205"	.375"	8000 lbs.	145 lbs.	92588
		NA	.313"		.205"	.375"	8000 lbs.	100 lbs.	9003280***

8 on 10.826" Diameter Bolt Circle, 8.75" Diameter Pilot

Wheel Dimensions				Tire Size Being Used	Material Thickness		Capacity	Approx. Weight	Stock Number
Diameter	Width	*Wheel Offset			Rim	Disc			
		Outset	Inset						
22.5"	13"	-.50"	0"	16.5-22.5	.276"	.50"	12000 lbs.	134 lbs.	9001205

10 on 11.25" Diameter Bolt Circle, 8.82" Diameter Pilot

Wheel Dimensions				Tire Size Being Used	Material Thickness		Capacity	Approx. Weight	Stock Number
Diameter	Width	*Wheel Offset			Rim	Disc			
		Outset	Inset						
22.5"	13"	-.50"	0"	18-22.5	.276"	.531"	12000 lbs.	134 lbs.	95542
	16"	2.00"	0"	500/45-22.5, 550/45-22.5, 560/60-22.5	.268"	.55"	12000 lbs.	143 lbs.	902395
	20"	NA	.078"	600/50-22.5	.268"	.591"	16500 lbs.	165 lbs.	902412



10 on 11.25" Diameter Bolt Circle, 8.82" Diameter Pilot

Wheel Dimensions				Tire Size Being Used	Material Thickness		Capacity	Approx. Weight	Stock Number
Diameter	Width	*Wheel Offset			Rim	Disc			
		Outset	Inset						
22.5"	9"	7.00"	6.50"	315/80-22.5	.276"	.50"	10000 lbs.	137 lbs.	9002752

* See Page I-16 for Wheel Outset / Inset Definitions.

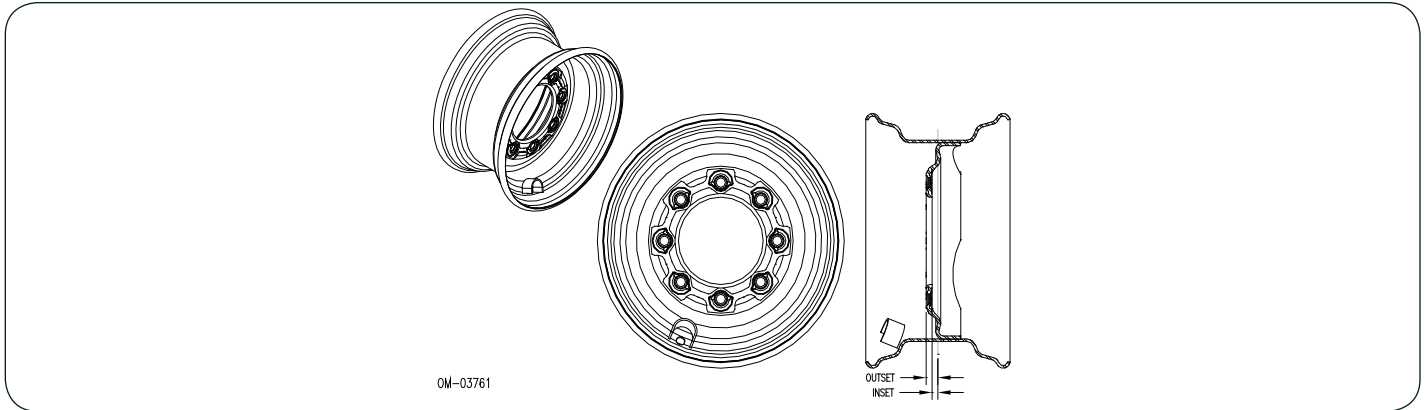
** This part number consists of one wheel. For a complete dual set, 2 wheels need to be ordered.

*** This wheel has bolt holes that are not countersunk.

ADDITIONAL INFORMATION:

- All of the above wheels are painted Off-White (WO).
- These wheels are also used for Unverferth and Brent high-capacity grain wagons and the Brent CPC2000. Please consult the appropriate operator's manual.

Skid Steer Wheels



Six-Hole .584 Diameter - 6" Bolt Circle - 4.633" Pilot with 90° C'sink

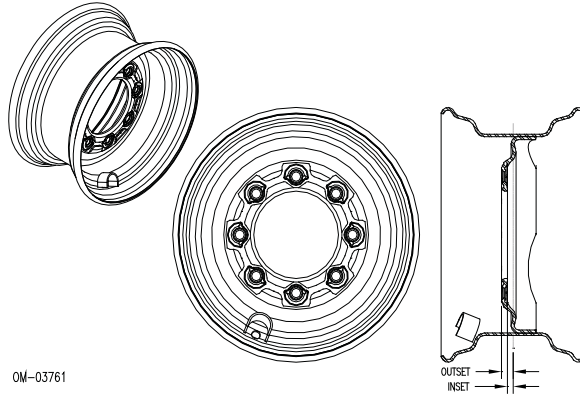
Make	Models	Tire Sizes Normally Mounted on this Wheel	Wheel Dimension		Wheel Offset		Material Thickness		Approx. Weight	Stock Number
			Dia.	Width	Outset	Inset	Rim	Disc		
Case	1835C, 1838, 1840	8.75-16.5, 9-50-16.5, 10-16.5	16.5"	8.25"	NA	.38"	.171"	.224"	39 lbs.	15361CPT
John Deere	675, 4475, 5575									15361JDIY
New Holland	L-465, LX-465, LX-485, L-553, L-555, LS140, LS150									15361NHIY

* See Page I-16 for Wheel Outset / Inset Definitions.

ADDITIONAL INFORMATION:

- These wheels are painted to match manufactures color.

Skid Steer Wheels



OM-03761

OUTSET
INSET

Eight-Hole .656 Diameter - 8" Bolt Circle - 6.000" Pilot with 90° C'sink

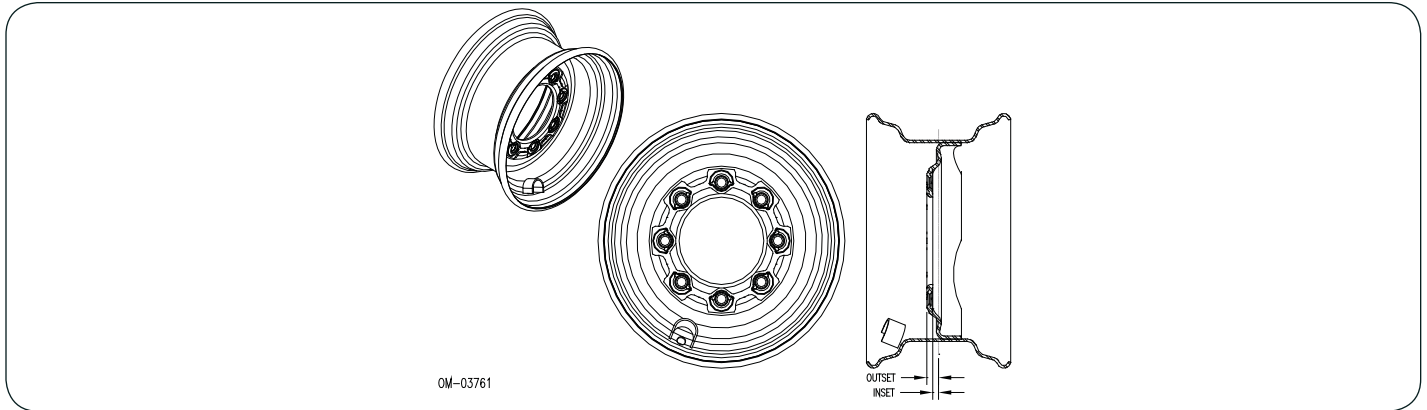
Make	Models	Tire Sizes Normally Mounted on this Wheel	Wheel Dimension		Wheel Offset		Material Thickness		Approx. Weight	Stock Number
			Dia.	Width	Outset	Inset	Rim	Disc		
Bobcat	742, 743, 753, 753L, 763, 773, 7753	8.75-16.5, 9.50-16.5, 10-16.5	16.5"	8.25"	NA	.41"	.171"	.224"	40 lbs.	15360
Case	40XT				NA	1.25"				16929CPT
John Deere	6675, 7775				NA	.41"				15360JDIY
	240				.94"	.52"				16930JDIY
New Holland	L-565, LX-565, L-585, LX-585, LX-665, LX-685, LS160, LS170				NA	.41"				15360NHIY
Bobcat	843, 853, 853H, 873, 8853, 863	12-16.5	16.5"	9.75"	NA	1.42"	.171"	.224"	43 lbs.	15362
Case	60XT, 70XT				NA	.54"				16931CPT
	75XT, 90XT				NA	1.42"				15362CPT
John Deere	1845, 1845B, 1845C				-1.81"	NA				15363CPT
	8875				NA	1.12"				15364JDIY
	250, 260, 325, 326D				.94"	.52"				16932JDIY
New Holland	L-781, L-783, L-785, L-865, LX-865, L-885, L-985, LS180, LS190				NA	1.12"				15364NHIY
Town & Country	Liberty				.42"	NA				15886SM

* See Page I-16 for Wheel Outset / Inset Definitions.

ADDITIONAL INFORMATION:

- These wheels are painted to match manufactures color.

Skid Steer Wheels



Eight-Hole .687 Diameter - 8" Bolt Circle - 6.000" Pilot with 90° C'sink

Make	Models	Tire Sizes Normally Mounted on this Wheel	Wheel Dimension		Wheel Offset		Material Thickness		Approx. Weight	Stock Number
			Dia.	Width	Outset	Inset	Rim	Disc		
John Deere	260, 270	14-17.5	17.5"	10.5"	NA	.44"	.224"	.375"	69 lbs.	18107JDIY
New Holland	L-985, LS180, LS190									18107NHIY

Ten-Hole 1.27 Diameter - 8.75" Bolt Circle - 6.255" Pilot with 90° C'sink

Make	Models	Tire Sizes Normally Mounted on this Wheel	Wheel Dimension		Wheel Offset		Material Thickness		Approx. Weight	Stock Number
			Dia.	Width	Outset	Inset	Rim	Disc		
Bobcat	963	14-17.5	17.5"	10.5"	NA	1.125"	.224"	.375"	68 lbs.	18106

* See Page I-16 for Wheel Outset / Inset Definitions.

ADDITIONAL INFORMATION:

- These wheels are painted to match manufactures color.

SECTION 8: Conversion Packages for 4WD Tractors

(Click on the Section you would like to navigate to)

Dual & Triple Wheel Packages for AGCO Star 4WD Tractors

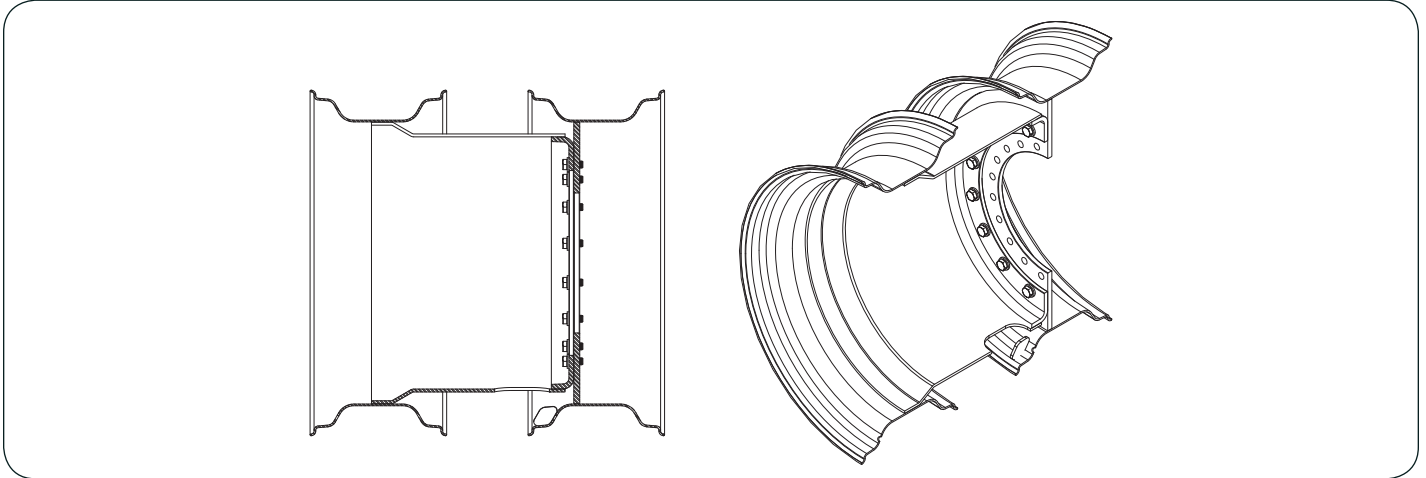
Dual & Triple Wheel Packages for Case-IH 4WD Tractors

Dual & Triple Wheel Packages for New Holland/Versatile/Buhler 4WD Tractors

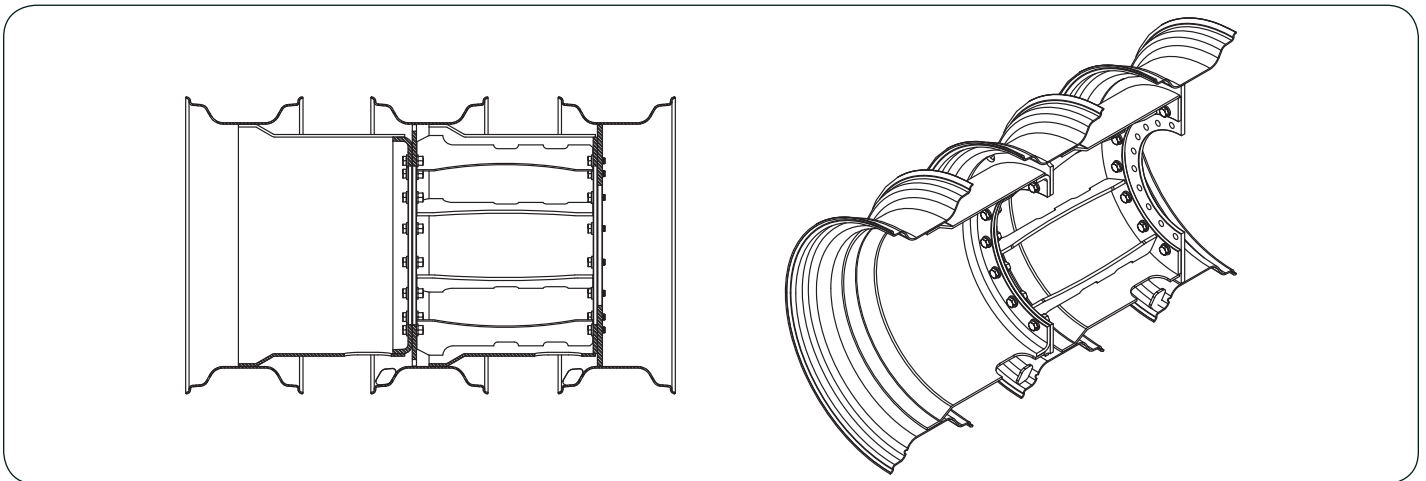
Triple Wheel Conversion Packages for 4WD Tractors

Dual and Triple Wheel Packages for AGCO Star 4WD Tractors

Dual Set-Up



Triple Set-Up



Models	Wheel Size	Wheel Tread Widths*			Bolt Circle & Axle Specifications	Tire Spacing		Dual Package Stock Number**	Triple Package Stock Number***
		Inner	Dual	Triple		Between Inner Wheel and Dual Wheel	Between Dual Wheel and Triple Wheel		
8360, 8425	16 x 38	76.5"	133"	188"	10 Holes on 20.125" Dia. Bolt Circle, 17.900" Dia. Pilot, and .969" Dia. Bolt Holes, 81.25" Hub/Hub	9.5"	9"	14452	14456
	18 x 38	76.5"	135"	192"		8.25"	7.75"	14453	14457
	23 x 38	81.25"	156.5"	N/A		9.5"	N/A	15172	—
	16 x 42	77"	133"	188"		9.25"	9"	14454	14458
	18 x 42	76.5"	135"	192"		8.25"	7.75"	14455	14459
	20 x 42	79.25"	152.5"	N/A		12"	N/A	15174	—
	23 x 42	81.25"	156.5"	N/A		9.5"	N/A	15173	—
	16 x 46	77"	131"	184"		8.25"	8"	15010	15011

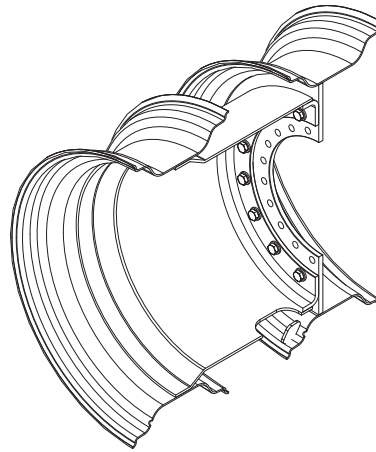
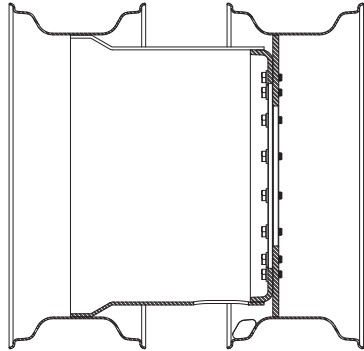
* These are approximate tread widths.

** A Dual package consists of 4-inner wheels and 4-dual wheels.

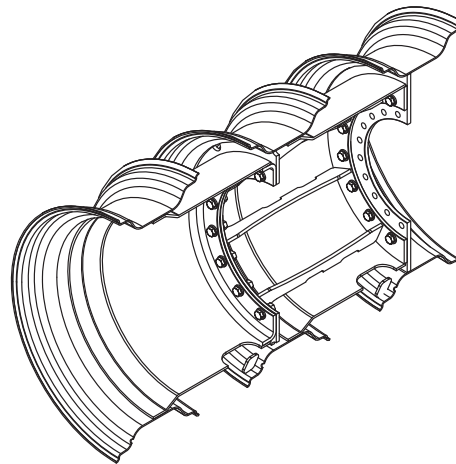
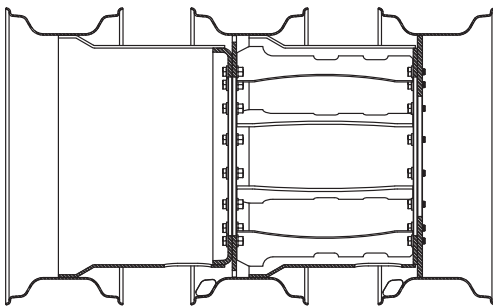
*** A Triple package consists of 4-inner wheels, 4-dual wheels, and 4-triple wheels.

Dual and Triple Wheel Packages for Case-IH 4WD Tractors

Dual Set-Up



Triple Set-Up



Models	Wheel Size	Wheel Tread Widths*			Bolt Circle & Axle Specifications	Tire Spacing		Dual Package Stock Number**	Triple Package Stock Number***
		Inner	Dual	Triple		Between Inner Wheel and Dual Wheel	Between Dual Wheel and Triple Wheel		
9150,	16 x 38	76.5"	133"	188"	20 Holes on 20.125" Dia. Bolt Circle, 17.900" Dia. Pilot, and .969" Dia. Bolt Holes, 81.25" Hub/Hub	9.5"	9"	14452	14456
9170,	18 x 38	76.5"	135"	192"		8.25"	7.75"	14453	14457
9180,	23 x 38	81.25"	156.5"	N/A		9.5"	N/A	15172	—
9250,	16 x 42	77"	133"	188"		9.25"	9"	14454	14458
9270,	18 x 42	76.5"	135"	192"		8.25"	7.75"	14455	14459
9280,	18 x 42	76.5"	135"	192"		8.25"	7.75"	14455	14459
9350,	20 x 42	79.25"	152.5"	N/A		12"	N/A	15174	—
9370,	23 x 42	81.25"	156.5"	N/A		9.5"	N/A	15173	—
9380,	23 x 42	81.25"	156.5"	N/A		9.5"	N/A	15173	—
9390,	16 x 46	77"	131"	184"		8.25"	8"	15010	15011

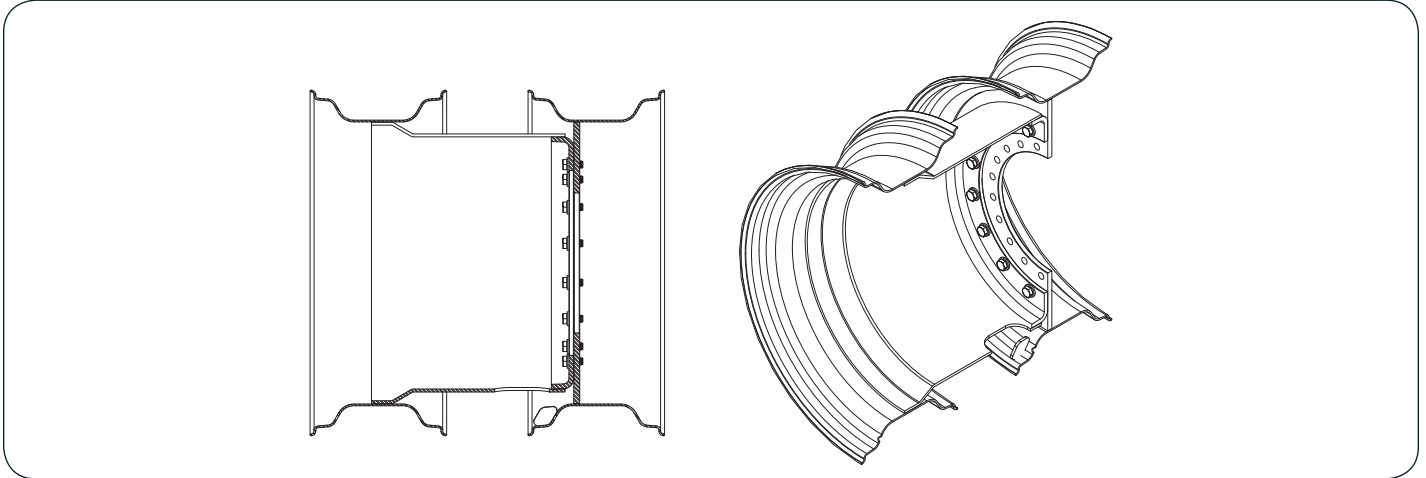
* These are approximate tread widths.

** A Dual package consists of 4-inner wheels and 4-dual wheels.

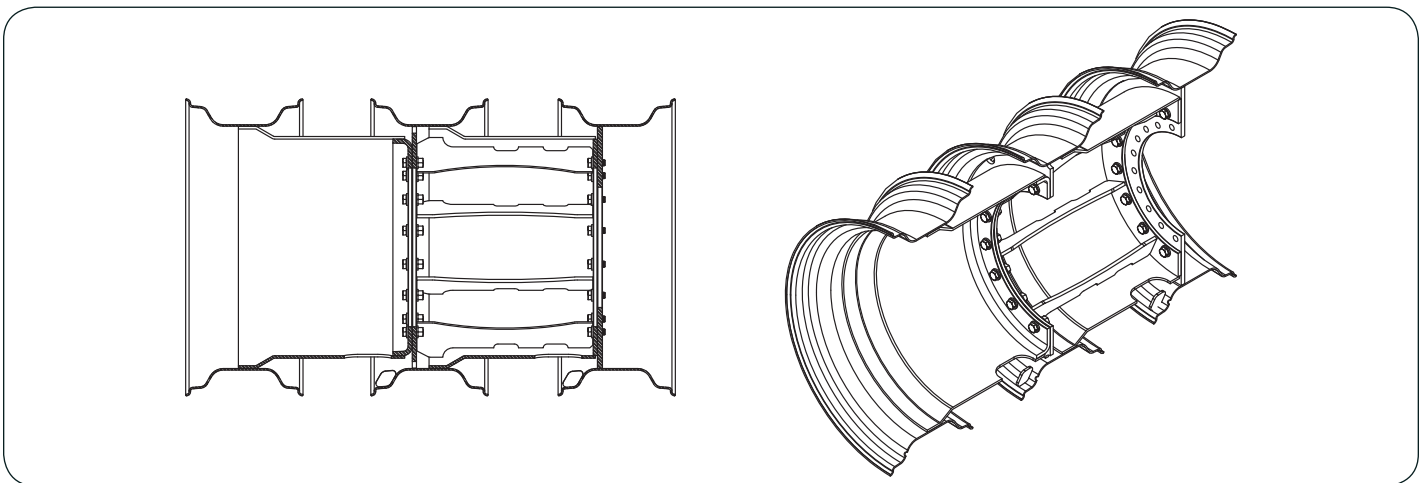
*** A Triple package consists of 4-inner wheels, 4-dual wheels, and 4-triple wheels.

Dual and Triple Wheel Packages for Case-IH 4WD Tractors

Dual Set-Up



Triple Set-Up



Models	Wheel Size	Wheel Tread Widths*		Bolt Circle & Axle Specifications	Tire Spacing Between Inner Wheel and Dual Wheel	Dual Wheel Part Number
		Inner	Dual			
9150, 9170, 9180, 9250, 9270, 9280, 9350, 9370, 9380, 9390	18 x 42	76.5"	134.5"	20 Holes on 20.125" Dia. Bolt Circle, 17.900" Dia. Pilot, and .969" Dia. Bolt Holes, 81.25" Hub/Hub	8"	15276SM (4 Total/Tractor)

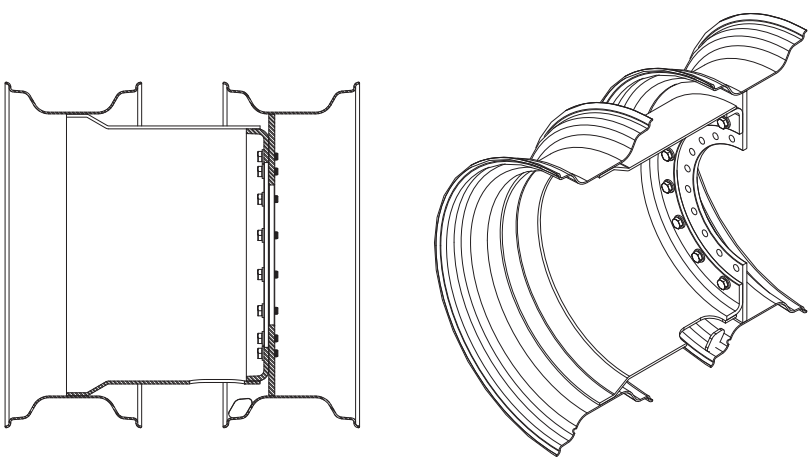
* These are approximate tread widths.

** A Dual package consists of 4-inner wheels and 4-dual wheels.

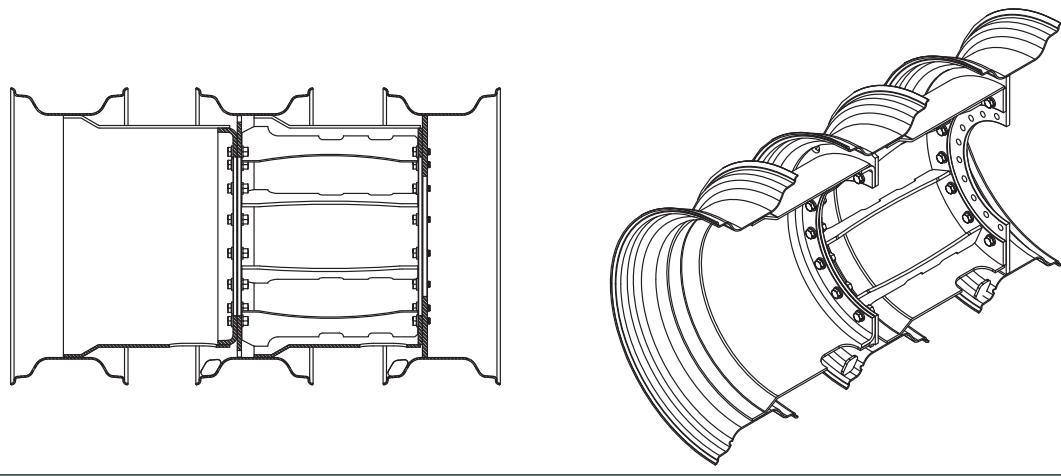
*** A Triple package consists of 4-inner wheels, 4-dual wheels, and 4-triple wheels.

Dual and Triple Wheel Packages for New Holland / Versatile / Bühler 4WD Tractors

Dual Set-Up



Triple Set-Up

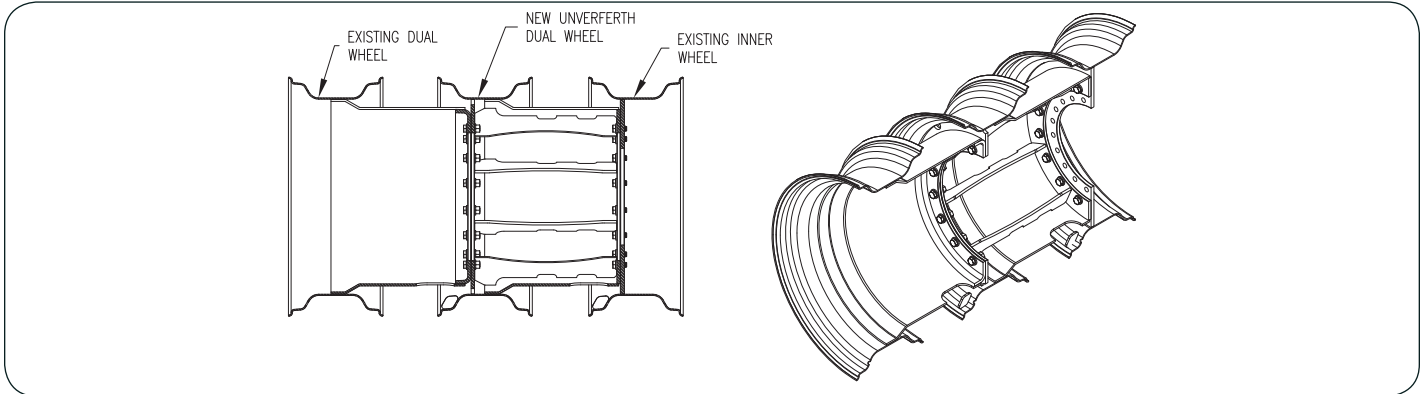


Models	Wheel Size	Wheel Tread Widths*			Bolt Circle & Axle Specifications	Tire Spacing		Dual Package Stock Number**	Triple Package Stock Number***
		Inner	Dual	Triple		Between Inner Wheel and Dual Wheel	Between Dual Wheel and Triple Wheel		
846, 876, 946, 976, 9280, 9480, 9680, 9880, 9282, 9482, 9682, 9882, 9184, 9384, 9484, 9684, 9884, (2240, 2270, 2310, 2360, 2425 Bühler)	16x38	72"	127"	182"	16 Holes on 25.669" Dia. Bolt Circle, 23.632" Dia. Pilot, and .875" Dia. Bolt Holes, 75.625" Hub/Hub	9"	9"	14460	14464
	18x38	72"	129"	186"		7.75"	7.75"	14461	14465
	23x38	80"	150"	N/A		7"	N/A	15169	—
	16x42	72"	127"	182"		9"	9"	14462	14466
	18x42	72"	129"	186"		7.75"	7.75"	14463	14467
	20x42	78"	146"	N/A		9.5"	N/A	15171	—
	23x42	80"	150"	N/A		7"	N/A	15170	—
	16x46	72"	125"	178"		8"	8"	15012	15013
	16x46	63"	120"	177"		9.75"	10"	15026	15027

* These are approximate tread widths.
 ** A Dual package consists of 4-inner wheels and 4-dual wheels.
 *** A Triple package consists of 4-inner wheels, 4-dual wheels, and 4-triple wheels.

Triple Wheel Conversion Packages for 4WD Tractors

These packages are used for tripling an existing Tiger Style (Expanded-Band Style) dual set-up. This set-up can be achieved by moving the existing dual wheel to the triple wheel position and installing the Unverferth wheel as the dual wheel.



AGCO Star 4WD Tractors

Models	Wheel Size	Wheel Tread Widths*			Bolt Circle Specifications	Tire Spacing		Stock Number**
		Inner	Dual	Triple		Between Inner Wheel and Dual Wheel	Between Dual Wheel and Triple Wheel	
8360, 8425	18x38	76.5"	134.5"	190.5"	10 Holes on 20.125" Dia. Bolt Circle, 17.900" Dia. Pilot, and .969" Dia. Bolt Holes	8"	7"	14477
	18x42	76.5"	134.5"	190.5"		8"	7"	14478

Case-IH 4WD Tractors

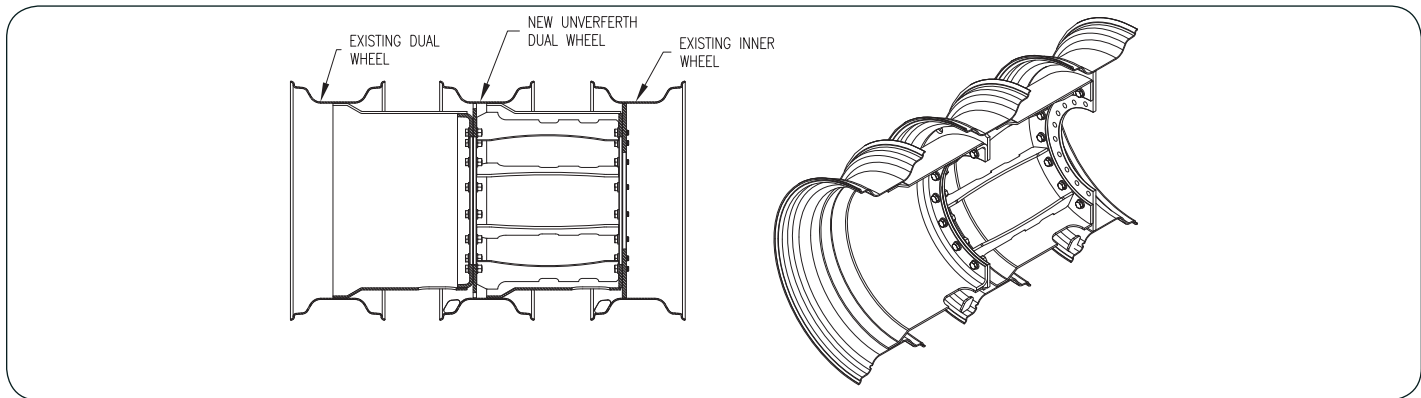
Models	Wheel Size	Wheel Tread Widths*			Bolt Circle Specifications	Tire Spacing		Stock Number**
		Inner	Dual	Triple		Between Inner Wheel and Dual Wheel	Between Dual Wheel and Triple Wheel	
9150, 9170, 9180, 9250, 9270, 9280, 9350, 9370, 9380, 9390	18x38	76.5"	134.5"	190.5"	20 Holes on 20.125" Dia. Bolt Circle, 17.900" Dia. Pilot, and .969" Dia. Bolt Holes	8"	7"	14477
	18x42	76.5"	134.5"	190.5"		8"	7"	14478

* These are approximate tread widths.

** These part numbers consist of 4-dual wheel.

Triple Wheel Conversion Packages for 4WD Tractors

These packages are used for tripling an existing Tiger Style (Expanded-Band Style) dual set-up. This set-up can be achieved by moving the existing dual wheel to the triple wheel position and installing the Unverferth wheel as the dual wheel.



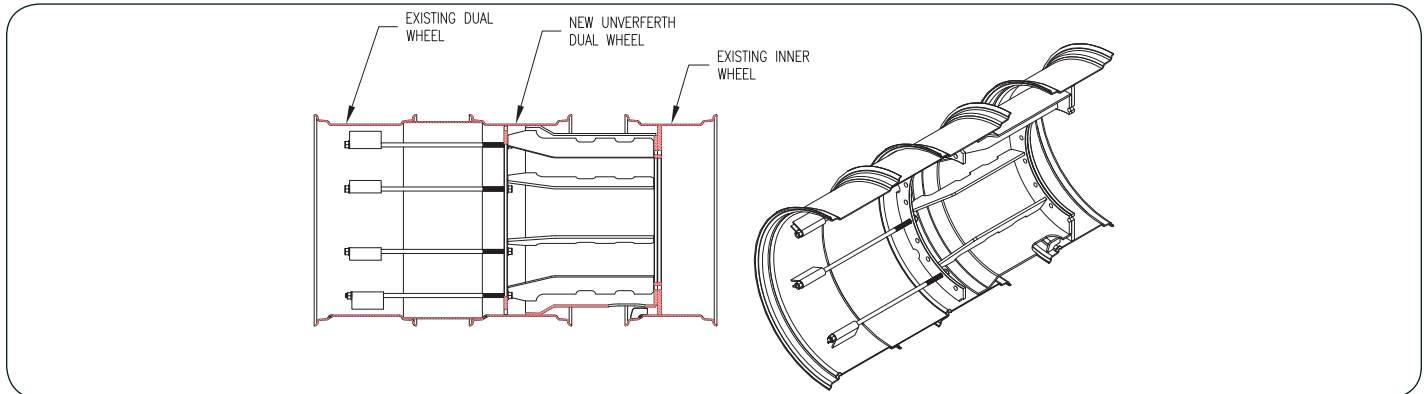
New Holland / Versatile / Bühler 4WD Tractors

Models	Wheel Size	Wheel Tread Widths*			Bolt Circle Specifications	Tire Spacing		Stock Number**
		Inner	Dual	Triple		Between Inner Wheel and Dual Wheel	Between Dual Wheel and Triple Wheel	
846, 876, 946, 976, 9280, 9480, 9680, 9880, 9282, 9482, 9682, 9882, 9184, 9384, 9484, 9684, 9884, (2240, 2270, 2310, 2360, 2425 Bühler)	18x38	72"	129"	186"	16 Holes on 25.669" Dia. Bolt Circle, 23.632" Dia. Pilot, and .875" Dia. Bolt Holes	7.5"	7.5"	14479
	18x42	72"	129"	186"		7.5"	7.5"	14480

* These are approximate tread widths.
 ** These part numbers consist of 4-dual wheel.

Triple Wheel Conversion Packages for 4WD Tractors

These packages are used for tripling an existing Tiger Style (Expanded-Band Style) dual set-up. This set-up can be achieved by moving the existing dual wheel to the triple wheel position and installing the Unverferth wheel as the dual wheel.



Case-IH 4WD Tractors

Models	Wheel Size	Wheel Tread Widths*			Bolt Circle Specifications	Tire Spacing		Stock Number**
		Inner	Dual	Triple		Between Inner Wheel and Dual Wheel	Between Dual Wheel and Triple Wheel	
9150, 9170, 9180, 9250, 9270, 9280, 9350, 9370, 9380, 9390	18x38	76.5"	134.5"	192.5	20 Holes on 20.125" Dia. Bolt Circle, 17.900" Dia. Pilot, and .969" Dia. Bolt Holes	8"	8"	15235
	18x42	76.5"	134.5"	192.5		8"	8"	15236

New Holland / Versatile / Bühler 4WD Tractors

Models	Wheel Size	Wheel Tread Widths*			Bolt Circle Specifications	Tire Spacing		Stock Number**
		Inner	Dual	Triple		Between Inner Wheel and Dual Wheel	Between Dual Wheel and Triple Wheel	
9280, 9480, 9680, 9880, 9282, 9482, 9682, 9882, 9184, 9384, 9484, 9684, 9884, (2240, 2270, 2310, 2360, 2425 Bühler)	18x38	72"	129"	186"	16 Holes on 25.669" Dia. Bolt Circle, 23.632" Dia. Pilot, and .875" Dia. Bolt Holes	7.5"	7.5"	15306
	18x42	72"	129"	186"		7.5"	7.5"	15307

* These are approximate tread widths.

** These part numbers consist of 4-dual wheel.

Notes

SECTION 9: Tractor Power-Adjust Wheels, Rims, Discs & Parts

(Click on the Section you would like to navigate to)

Power-Adjust Wheels

Power-Adjust Rims with Rails

Power-Adjust Bolt In Discs

Power-Adjust Attaching Hardware

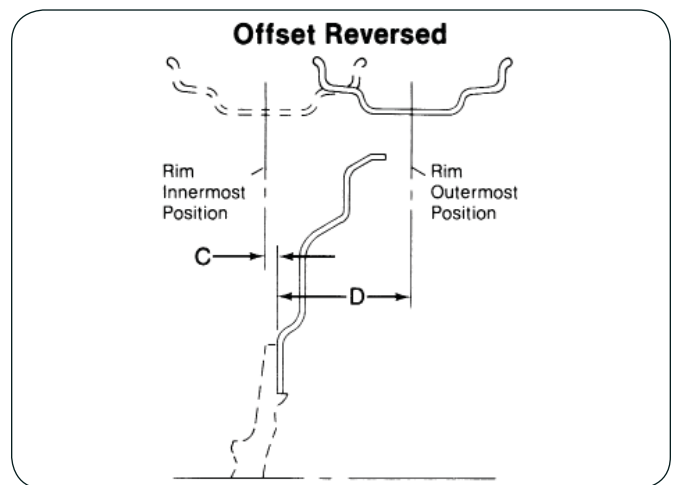
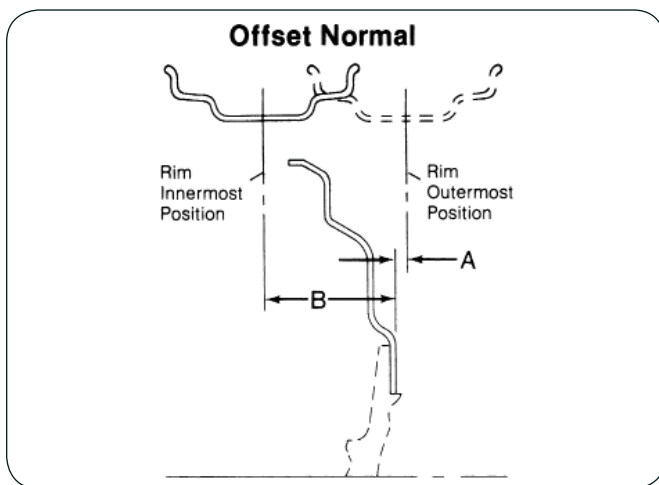
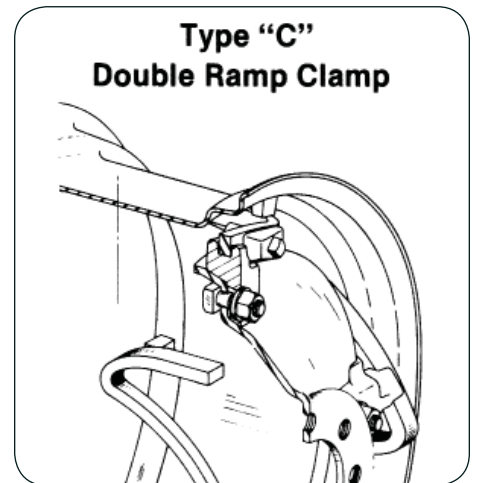
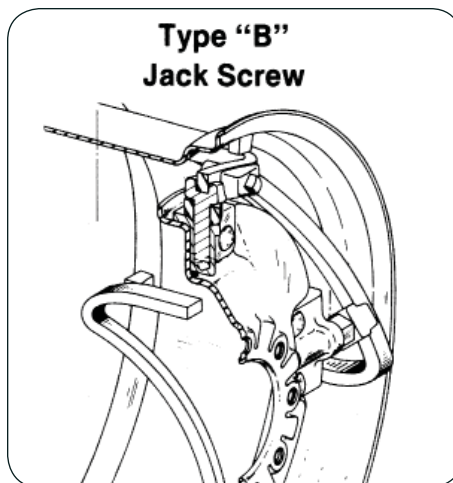
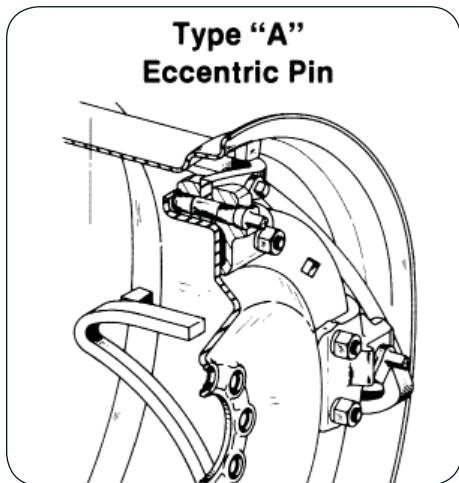
Power-Adjust Wheels

W10-28 (Wheel Type C)

Rim & Rail Assembly	Disc Number	Stop Body Number	Number of Bolts	Bolt Circle	Pilot Diameter	Total Adj. by Incls	Assembly Weight	"A" Outer	"B" Inner	"C" Inner	"D" Outer	Stock Number
RR84774	RR86400	RR85030	8	8.00"	6.00"	10x2 1/2	108	2.50	7.50	2.10	7.90	RR101074

W12-28 (Wheel Type C)

Rim & Rail Assembly	Disc Number	Stop Body Number	Number of Bolts	Bolt Circle	Pilot Diameter	Total Adj. by Incls	Assembly Weight	"A" Outer	"B" Inner	"C" Inner	"D" Outer	Stock Number
RR84763	RR86982	RR85030	8	6.00"	4.31"	10 x 2	139	1.20	8.80	0.89	9.11	RR101011
RR106033	RR87049	RR85030	8	8.00"	5.50"	10 x 2	139	3.20	6.80	2.89	7.11	RR101018
RR84763	RR86400	RR85030	8	8.00"	6.00"	10 x 2	133	2.50	7.50	2.10	7.90	RR101022
RR84705	RR86400	RR85030	8	8.00"	6.00"	10x2 1/2	133	2.50	7.50	2.10	7.90	RR101029



ADDITIONAL INFORMATION:

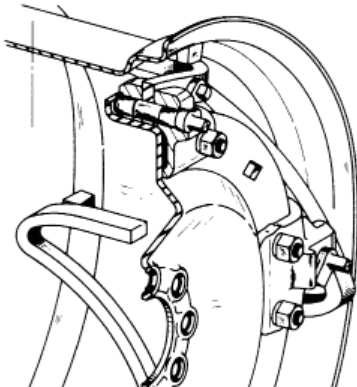
- For desired color add the appropriate color code to end of stock number.
WHITE (W) OFF-WHITE (WO) SILVER-MIST (SM) YELLOW (Y)

Power-Adjust Wheels

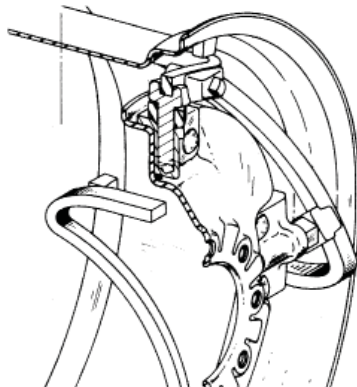
W15L-30 (Wheel Type C)

Rim & Rail Assembly	Disc Number	Stop Body Number	Number of Bolts	Bolt Circle	Pilot Diameter	Total Adj. by Incls	Assembly Weight	"A" Outer	"B" Inner	"C" Inner	"D" Outer	Stock Number
RR106030	RR86928	RR85030	8	8.00"	6.00"	12x2	186	2.69	9.31	2.31	9.69	RR101030

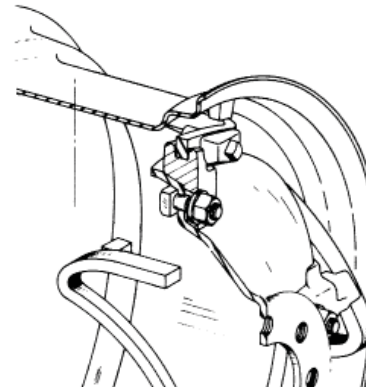
**Type "A"
Eccentric Pin**



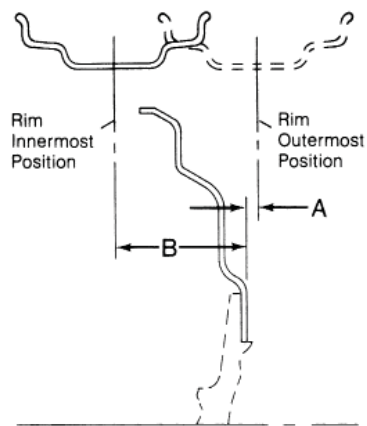
**Type "B"
Jack Screw**



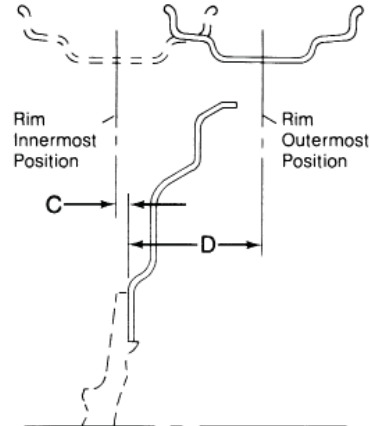
**Type "C"
Double Ramp Clamp**



Offset Normal



Offset Reversed



ADDITIONAL INFORMATION:

- For desired color add the appropriate color code to end of stock number.
 WHITE (W) OFF-WHITE (WO) SILVER-MIST (SM) YELLOW (Y)

Power-Adjust Rims with Rails

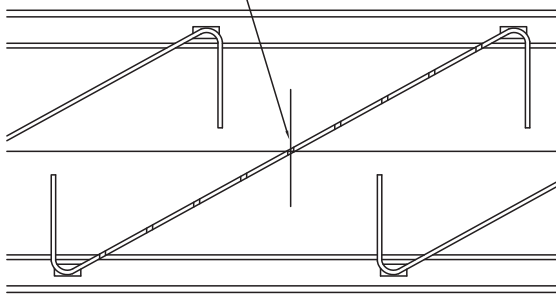
24" Diameter

Size	Number of Rails	Holes (See Drawings Below)	Number of Holes in Rail	Total Adj. by Incs. ¹	Rim Fits Some of These Tractor Makes	Approximate Weight	Rim & Rail Stock Number
10	4	Parallel	5	10x2	Deutz-Allis, John Deere	55 lbs.	RR84765

26" Diameter

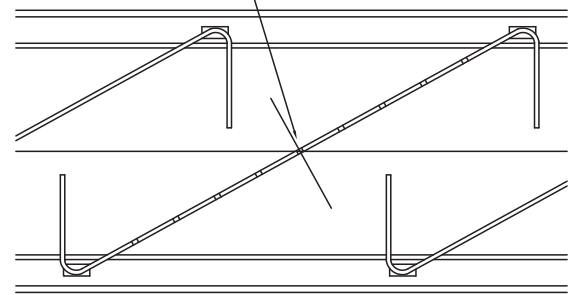
Size	Number of Rails	Holes (See Drawings Below)	Number of Holes in Rail	Total Adj. by Incs. ¹	Rim Fits Some of These Tractor Makes	Approximate Weight	Rim & Rail Stock Number
12	4	Parallel	5	10x2	AC, Oliver	70 lbs.	RR85803

Paralleled Drilled Rail



Parallel = Holes in Rail are Parallel to Axle

90° Drilled Rail



90° = Holes in Rail are 90° to Rail

¹ Total adjustment by increments. Example: 12x2, there is 12" of total adjustment per wheel, in 2" increments.

* Rim has two drilled rails for stop bodies.

ADDITIONAL INFORMATION:

- These rims are E-Coat primed. For desired color add the appropriate color code to end of stock number.
WHITE (W) OFF-WHITE (WO) SILVER-MIST (SM) YELLOW (Y)

Power-Adjust Rims with Rails

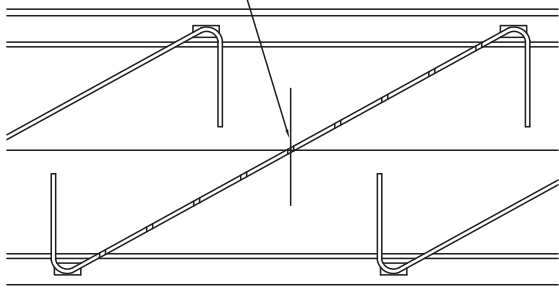
28" Diameter

Size	Number of Rails	Holes (See Drawings Below)	Number of Holes in Rail	Total Adj. by Incs. ¹	Rim Fits Some of These Tractor Makes	Approximate Weight	Rim & Rail Stock Number
10	4	Parallel	4	10x2 1/2	AC,Case,Ford,IH,JD,MF,MM,Oliver	56 lbs.	RR84774
11	4	90°	5	10x2	Massey-Ferguson	70 lbs.	RR84770
12	4	Parallel	4	10x2 1/2	AC,Case,Ford,IH,JD,MF,MM,Oliver	80 lbs.	RR84705
12	4	Parallel	5	10x2	Case	80 lbs.	RR84763
12	5	Parallel	5	10x2	Ford,White	82 lbs.	RR106033
13	4	Parallel	6	12x2	Deutz-Allis,Hesston	81 lbs.	RR106005*
15	4	Parallel	6	12x2	Kubota	105 lbs.	RR106040*

30" Diameter

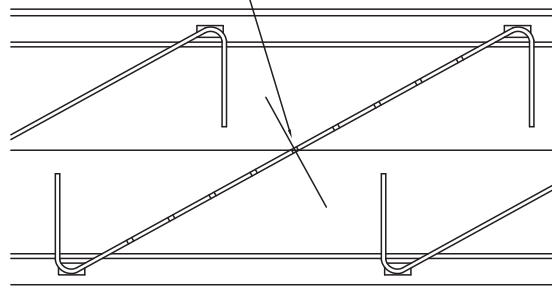
Size	Number of Rails	Holes (See Drawings Below)	Number of Holes in Rail	Total Adj. by Incs. ¹	Rim Fits Some of These Tractor Makes	Approximate Weight	Rim & Rail Stock Number
15	5	Parallel	6	12x2	Case, Ford	112 lbs.	RR106030

Paralleled Drilled Rail



Parallel = Holes in Rail are Parallel to Axle

90° Drilled Rail



90° = Holes in Rail are 90° to Rail

¹ Total adjustment by increments. Example: 12x2, there is 12" of total adjustment per wheel, in 2" increments.

* Rim has two drilled rails for stop bodies.

ADDITIONAL INFORMATION:

- These rims are E-Coat primed. For desired color add the appropriate color code to end of stock number.
 WHITE (W) OFF-WHITE (WO) SILVER-MIST (SM) YELLOW (Y)

Power-Adjust Rims with Rails

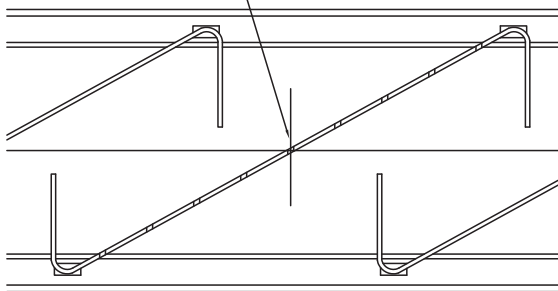
34" Diameter

Size	Number of Rails	Holes (See Drawings Below)	Number of Holes in Rail	Total Adj. by Incs. ¹	Rim Fits Some of These Tractor Makes	Approximate Weight	Rim & Rail Stock Number
15	6	Parallel	6	12x2	Massey-Ferguson	122 lbs.	RR106014*

38" Diameter

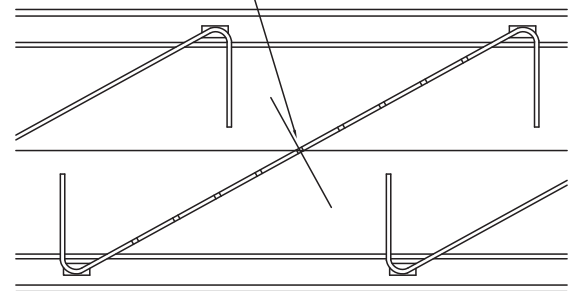
Size	Number of Rails	Holes (See Drawings Below)	Number of Holes in Rail	Total Adj. by Incs. ¹	Rim Fits Some of These Tractor Makes	Approximate Weight	Rim & Rail Stock Number
12	6	Parallel	6	12x2	Case, Deutz-Allis, Ford	117 lbs.	RR84912
14	6	Parallel	6	12x2	Case, Ford, Kubota	134 lbs.	RR84976
14	6	Parallel	5	10x2		130 lbs.	RR106009*
16	6	Parallel	6	12x2	Case	156 lbs.	RR106011*
16	8	Parallel	6	12x2	Deutz-Allis, Hesston, White	164 lbs.	RR106018*

Paralleled Drilled Rail



Parallel = Holes in Rail are Parallel to Axle

90° Drilled Rail



90° = Holes in Rail are 90° to Rail

¹ Total adjustment by increments. Example: 12x2, there is 12" of total adjustment per wheel, in 2" increments.

* Rim has two drilled rails for stop bodies.

ADDITIONAL INFORMATION:

- These rims are E-Coat primed. For desired color add the appropriate color code to end of stock number.
WHITE (W) OFF-WHITE (WO) SILVER-MIST (SM) YELLOW (Y)

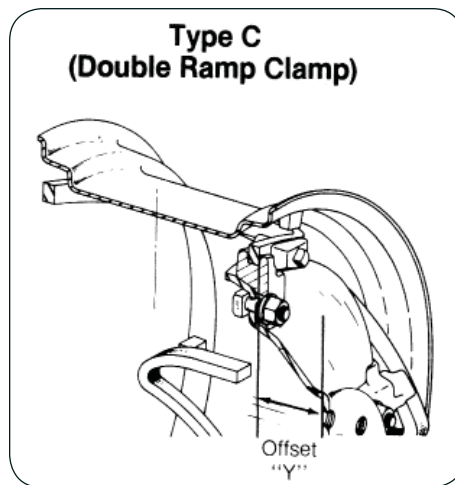
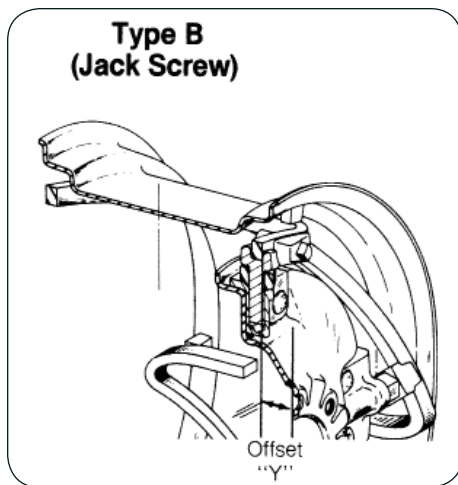
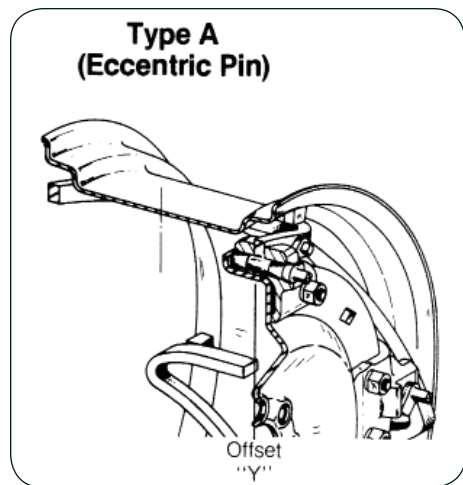
Power-Adjust, Bolt-In Discs

28" Diameter

Number of Bolt Holes	Bolt Circle	Pilot	Bolt Hole Size	Countersink Description	Disc fits Rims with this No. of Rails	Hardware Type (See Drawings Below)	Offset "Y"	Approximate Weight	Stock Number
8	8"	6"	.65"	90° x .84"; REV.	4	C	2.50"	36 lbs.	RR86400
	6"	4.31"	.75"	90° x 1"; REV.	4		3.74"	61 lbs.	RR86982
	8"	5.5"	1.28"	90° x 1.47"; REV.	5		1.80"	42 lbs.	RR87049
	8"	6"	.58"	None	5		1.80"	42 lbs.	RR87172

30" Diameter

Number of Bolt Holes	Bolt Circle	Pilot	Bolt Hole Size	Countersink Description	Disc fits Rims with this No. of Rails	Hardware Type (See Drawings Below)	Offset "Y"	Approximate Weight	Stock Number
8	8"	6"	.66"	90° x .84"; REV.	5	C	2.81"	59 lbs.	RR86928



* Special countersunk bolt holes.

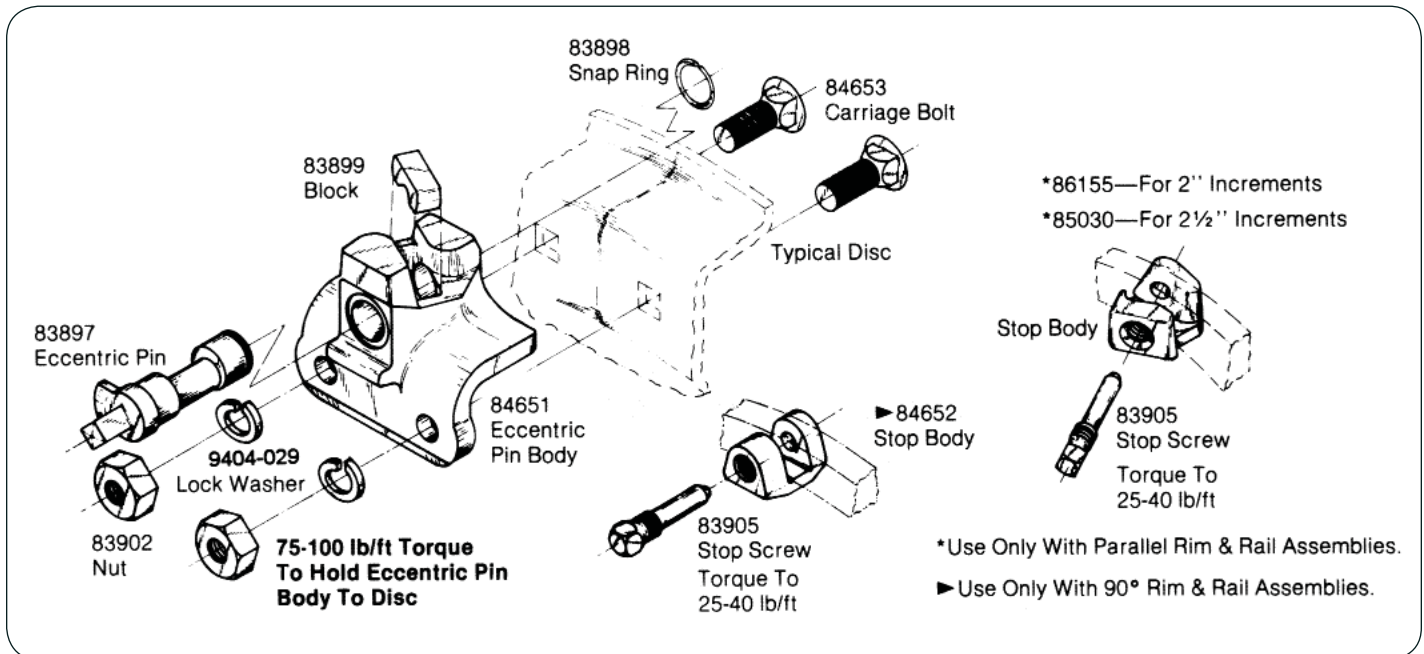
NOTE: 38" Power-Adjust Discs are available, please inquire.

ADDITIONAL INFORMATION:

- These rims are E-Coat primed. For desired color add the appropriate color code to end of stock number.
WHITE (W) OFF-WHITE (WO) SILVER-MIST (SM) YELLOW (Y)

Power-Adjust, Attaching Hardware

TYPE A: ECCENTRIC PIN TYPE

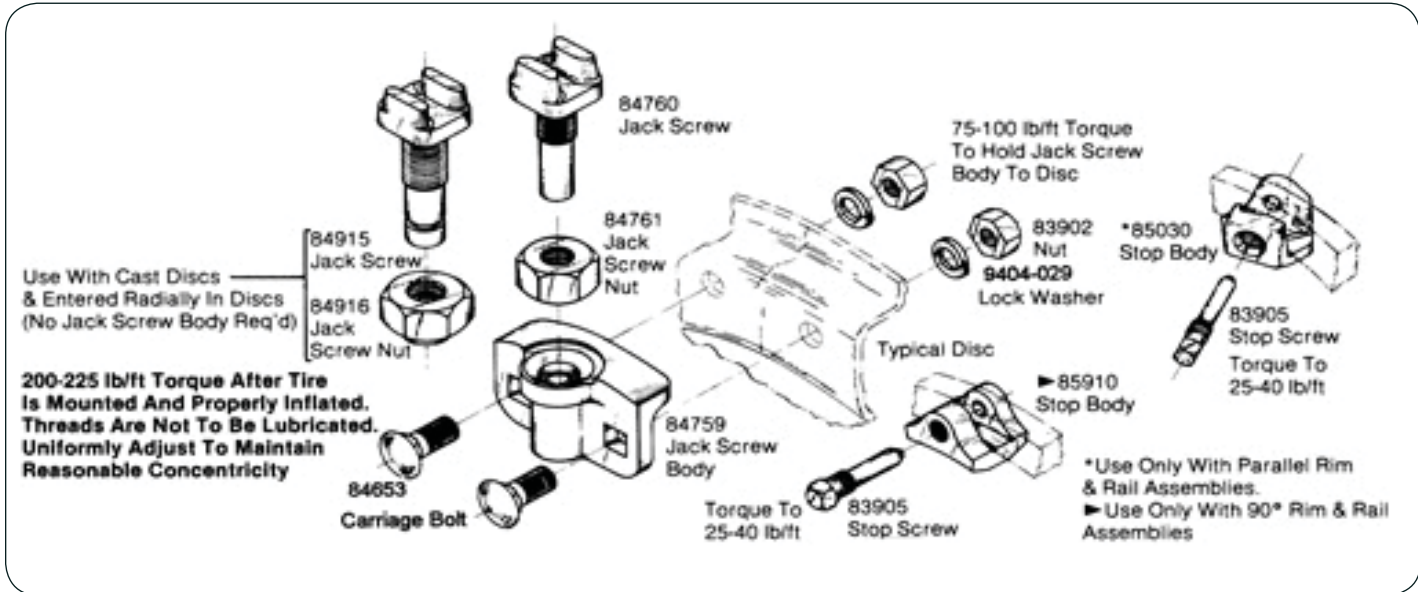


Description	Quantity Needed Per Rail	Approximate Weight	Stock Number
Eccentric Pin Body	1	3 1/2 lbs.	RR84651*
Eccentric Pin Body Block	1	1/4 lb.	RR83899*
Eccentric Pin	1	3/4 lb.	RR83897*
Snap Ring	1	1/4 lb.	RR83898*
Carriage Bolt	2	1/4 lb.	RR84653*
Lock Washer	2	1/4 lb.	9404-029*
Nut	2	1/4 lb.	RR83902*
Stop Screw	2 Per Drilled Rail	1/4 lb.	RR83905
Stop Body (Use w/90 deg. Rim & Rail)	2 Per Drilled Rail	1/2 lb.	RR84652
Stop Body (Use w/Parallel Rim & Rail for 2 1/2" Increments)	2 Per Drilled Rail	3/4 lb.	RR85030
Stop Body (Use w/Parallel Rim & Rail for 2" Increments)	2 Per Drilled Rail	3/4 lb.	RR86155
Eccentric Pin Hardware Package for 1 Rail	1	5 lbs.	RR90001

* These items are included in hardware package RR90001.

Power-Adjust, Attaching Hardware

TYPE B: JACK SCREW TYPE

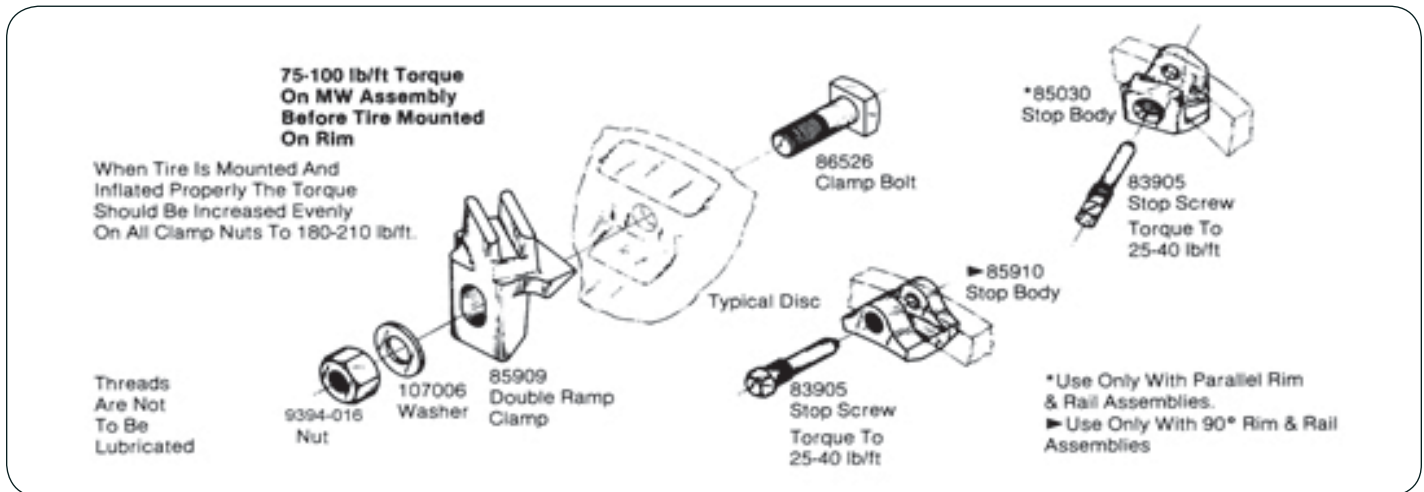


Description	Quantity Needed Per Rail	Approximate Weight	Stock Number
Jack Screw Body	1	2 lbs.	RR84759*
Jack Screw	1	1 lb.	RR84760*
Jack Screw Nut	1	1/4 lb.	RR84761*
Carriage Bolt	2	1/4 lb.	RR84653*
Lock Washer	2	1/4 lb.	9404-029*
Nut	2	1/4 lb.	RR83902*
Stop Screw	2 Per Drilled Rail	1/4 lb.	RR83905
Stop Body (Use w/Parallel Rim & Rail for 2 1/2" Increments)	2 Per Drilled Rail	3/4 lb.	RR85030
Stop Body (Use w/90 deg. Rim & Rail)	2 Per Drilled Rail	3/4 lb.	RR85910
Jack Screw (Use w/Cast Disc)	1	1 1/4 lbs.	RR84915
Jack Screw Nut (Use w/Cast Disc)	1	1 lb.	RR84916
Jack Screw Hardware Package for 1 Rail	1	3 1/2 lbs.	RR90002

* These items are included in hardware package RR90002.

Power-Adjust, Attaching Hardware

TYPE C: DOUBLE-RAMP CLAMP TYPE

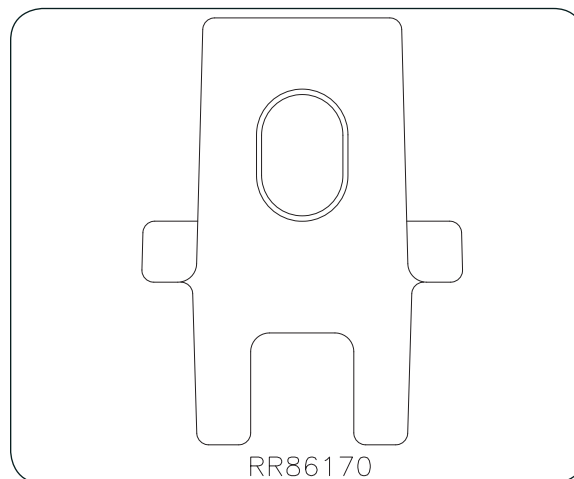


Description	Quantity Needed Per Rail	Approximate Weight	Stock Number
Double-Ramp Clamp (Power Shift Rim)	1	1 1/4 lbs.	RR85909*
Clamp Bolt	1	1/2 lb.	RR86526*
Washer	1	1/4 lb.	RR107006*
Nut	1	1/4 lb.	9394-016*
Stop Screw	2 Per Drilled Rail	1/4 lb.	RR83905
Stop Body (Use w/Parallel Rim & Rail)	2 Per Drilled Rail	3/4 lb.	RR85030
Stop Body (Use w/90 deg. Rim & Rail)	2 Per Drilled Rail	3/4 lb.	RR85910
Double-Ramp Clamp Hardware Package for 1 Rail	1	2 lbs.	RR90003

* These items are included in hardware package RR90003.

Description	Quantity Needed Per Rail	Approximate Weight	Stock Number
Double-Ramp Clamp (for Double-Bevel Rim)*	N/A	2 lbs.	RR86170**
Double-Ramp Clamp	1	2 1/2 lbs.	RR107034
Carriage Bolt	2	1/4 lb.	RR84653
Stop Body (Use w/Parallel Rim & Rail for Ford Tractors, Ford Part No. C7NN1057B)	2 Per Drilled Rail	3/4 lb.	RR107017

** RR86170 can be used to convert power shift assemblies w/Double-Ramp Clamp RR85909 to Double-Bevel Rims. Also see page 4-12 for RR86170.



Notes

SECTION 10: Combine Duals, Spacers & Wheels

(Click on the Section you would like to navigate to)

Straddle Row Duals for Case-IH Combines

Straddle Row Duals for John Deere Combines

Straddle Row Duals for Gleaner Combines

Straddle Row Duals for Massey Ferguson Combines

Straddle Row Duals for New Holland Combines

Straddle Row Dual Loose Wheels Only

Dual Wheel Hub Spacers for Case-IH Combines

Dual Wheel Hub Spacers for John Deere Combines

**Dual Wheel Hub Spacers Between OE Dual Wheels for Case-IH,
John Deere & N.H. Combines**

Combine Adapter Rings

Combine Front Drive Wheels for Case-IH Combines

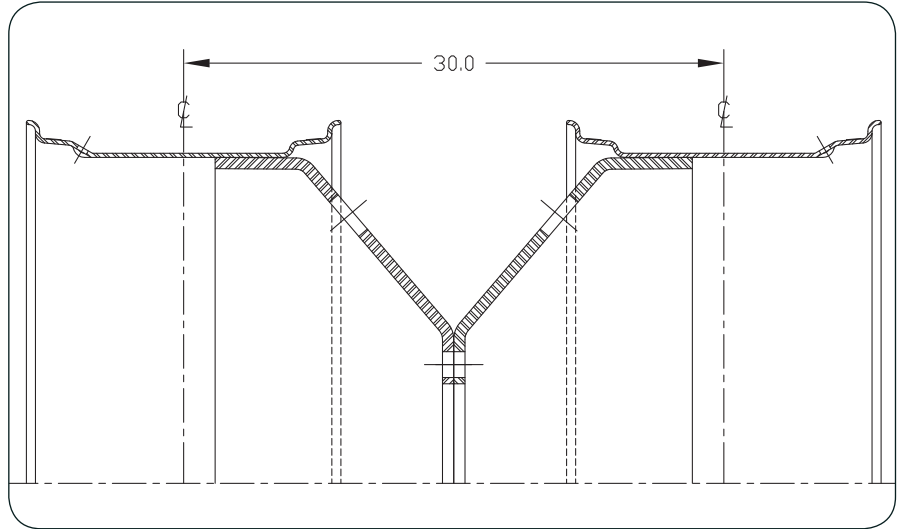
Combine Front Drive Wheels for John Deere Combines

Combine Front Drive Wheels for Gleaner & New Holland Combines

Combine Front Drive Wheels for Hillside Combines

Combine Rear Wheels

Straddle-Row Duals, Deep-Formed Style for Case-IH 2100/2300 Series Combines



20 Holes on 13.187" Dia. Bolt Circle, 11.060" Dia. Pilot, and M20-1.5P Bolts

Duals will run at approximately 120" and 180" track width.
Each package consists of four wheels and wheel mounting hardware.

Model	Hub To Hub Measurement ***	Mfgs. Axle Extension		Hub To Hub Measurement w/Axle Extension	16x38 Pkg. No.	18x38 Pkg. No.	16x42 Pkg. No.	18x42 Pkg. No.
		Required	Length					
2144 & 2166 w/Standard Axle (76" Base Axle w/6" Axle Ext.)	113.5"	Yes*	24"	149.5"	12727	12728	12729	12730
2144 & 2166 w/Optional Axle (76" Base Axle Only)	101.5"	Yes	24"	149.5"	12727	12728	12729	12730
2144 & 2166 w/Dual Ready Axle (76" Base Axle w/24" Axle Ext.)	149.5"	No	-	-	12727	12728	12729	12730
2344 & 2366 w/Standard Axle (88" Base Axle Only)	113.5"	Yes	18"	149.5"	12727	12728	12729	12730
2344 & 2366 w/Optional Axle (76" Base Axle Only)	101.5"	Yes	24"	149.5"	12727	12728	12729	12730
2344 & 2366 w/Dual Ready Axle (88" Base Axle w/18" Axle Ext.)	149.5"	No	-	-	12727	12728	12729	12730
2188 & 2388 w/Standard Axle (100" Base Axle Only)	125.5"	Yes	12"	149.5"	12727	12728	12729	12730
2188 & 2388 w/Optional Axle (100" Base Axle w/6" Axle Ext.)	137.5"	Yes**	6" or 12"***	149.5"	12727	12728	12729	12730
2188 & 2388 w/Dual Ready Axle (100" Base Axle w/12" Axle Ext.)	149.5"	No	-	-	12727	12728	12729	12730

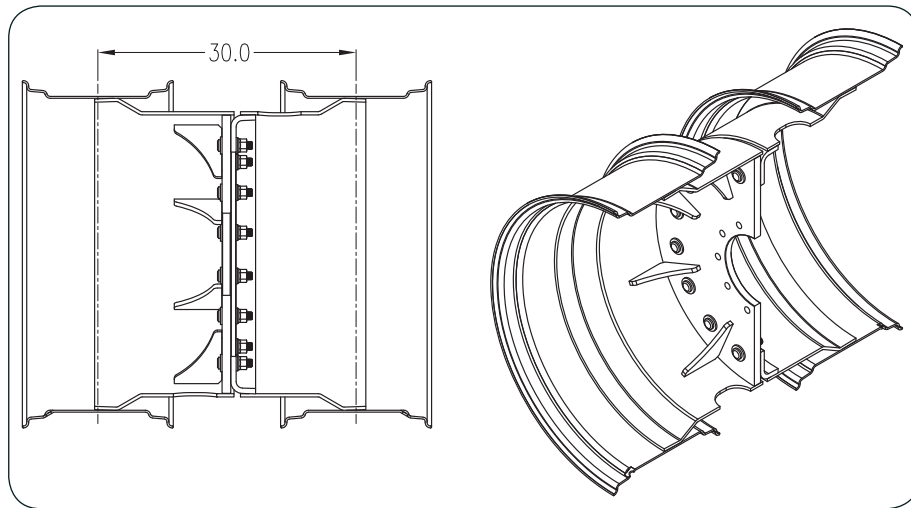
* The 6" Axle Extension must be removed before adding the 24" Axle Extension.

** If adding the 12" Axle Extension, the 6" Axle Extension must be removed before adding the 12" Axle Extension.

*** Please verify Hub to Hub measurement with customer before ordering Straddle-Row Packages.

NOTE: Other styles of Straddle-Row Duals may be available, please inquire.

Straddle-Row Duals, Expanded-Band Style for Case-IH 2100/2300 Series Combines



20 Holes on 13.187" Dia. Bolt Circle, 11.060" Dia. Pilot, and M20-1.5P Bolts

Duals will run at approximately 120" and 180" track width.
Each package consists of four wheels and wheel mounting hardware.

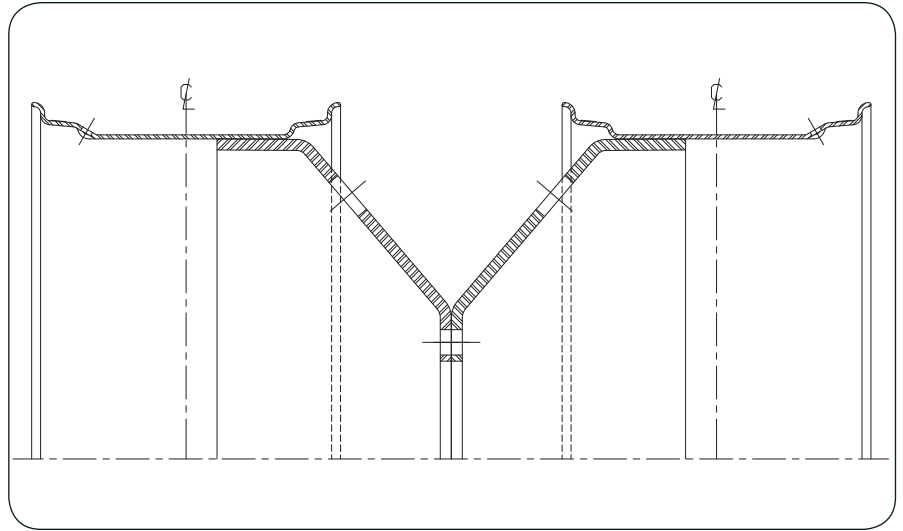
Model	Hub To Hub Measurement ***	Mfgs. Axle Extension		Hub To Hub Measurement w/Axle Extension	16x38 Pkg. No.	18x38 Pkg. No.	16x42 Pkg. No.	18x42 Pkg. No.
		Required	Length					
2144 & 2166 w/Standard Axle (76" Base Axle w/6" Axle Ext.)	113.5"	Yes*	24"	149.5"	15848	15849	15850	15851
2344 & 2366 w/Standard Axle (88" Base Axle Only)	113.5"	Yes	18"	149.5"	15848	15849	15850	15851
2188 & 2388 w/Standard Axle (100" Base Axle Only)	125.5"	Yes	12"	149.5"	15848	15849	15850	15851

* The 6" Axle Extension must be removed before adding the 24" Axle Extension.

** Please verify Hub to Hub measurement with customer before ordering Straddle-Row Packages.

NOTE: Other styles of Straddle-Row Duals may be available, please inquire.

Straddle-Row Duals, Deep-Formed Style
for Case-IH 2577/2588/5088/5130/5140/6088/6130/6140/
7088/7120/7130/7140/7230/8120/8230/9230
AFX Series Combines



**20 Holes on 13.187” Dia. Bolt Circle, 11.060” Dia. Pilot,
and M22-1.5P Bolts**

Each package consists of four wheels and wheel mounting hardware.

Model	Hub To Hub Measurement ***	Mfgs. Axle Extension		Hub To Hub Measurement w/Axle Extension	18x38 Pkg. No.	23x38 Pkg. No.	16x42 Pkg. No.	18x42 Pkg. No.	20x42 Pkg. No.	23x42 Pkg. No.
		Required	Length							
Tread Widths Achieved				149.5"	120 180	116 186	120 180	120 180	120 180	116 186
5088, 5130, 5140, 6088, 6130, 6140, 7088, 7130, 7140, 2577 & 2588 w/Standard Axle (Base Axle Only)	125.5"	Yes*	12"	149.5"	17477		17478	17479		
5088, 5130, 5140, 6088, 6130, 6140, 7088, 7130, 7140, 2577 & 2588 w/Optional Axle (Base Axle w/6" Axle Ext.)	137.5"	Yes	6" or 12" *	149.5"	17477		17478	17479		
5088, 5130, 5140, 6088, 6130, 6140, 7088, 7130, 7140, 2577 & 2588 w/Dual Ready Axle (Base Axle w/12" Axle Ext.)	149.5"	No	-	-	17477		17478	17479		
7120, 7230, 8120, 8230, 9230, AFX 7010 & AFX 8010 w/Base Axle Only	128.5"	Yes	10.4"	149.5"		18000		17484	17485	18002
7120, 7230, 8120, 8230, 9230, AXF 7010 & AXF 8010 w/Dual Ready Axle	149.5"	No	-	-		18000		17484	17485	18002

* If adding the 12" Axle Extension, the 6" Axle Extension must be removed before adding the 12" Axle Extension.

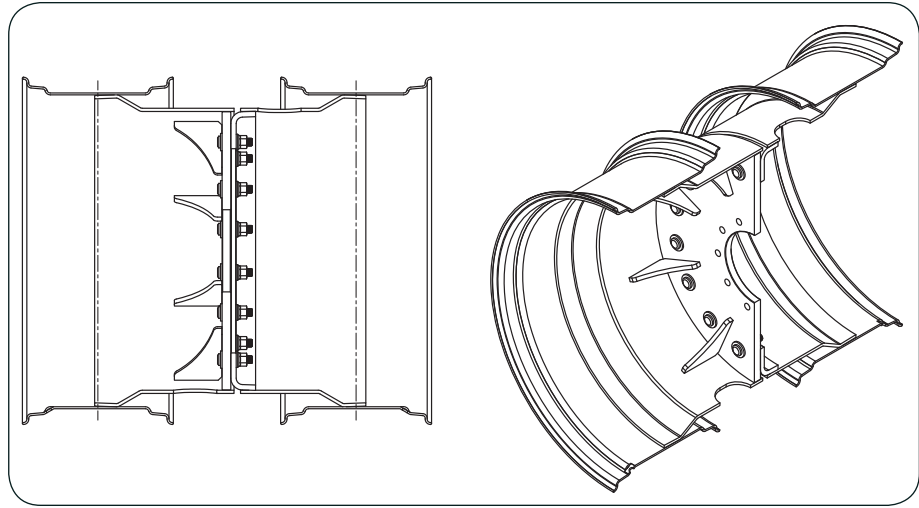
** Please verify Hub to Hub measurement with customer before ordering Straddle-Row Packages.

NOTE: Other styles of Straddle-Row Duals may be available, please inquire.

Straddle-Row Duals, Expanded-Band Style

for Case-IH 2577/2588/5088/5130/5140/6088/6130/6140/
7088/7120/7130/7140/7230/8120/8230/9230

AFX Series Combines



**20 Holes on 13.187" Dia. Bolt Circle, 11.060" Dia. Pilot,
and M22-1.5P Bolts**

Each package consists of four wheels and wheel mounting hardware.

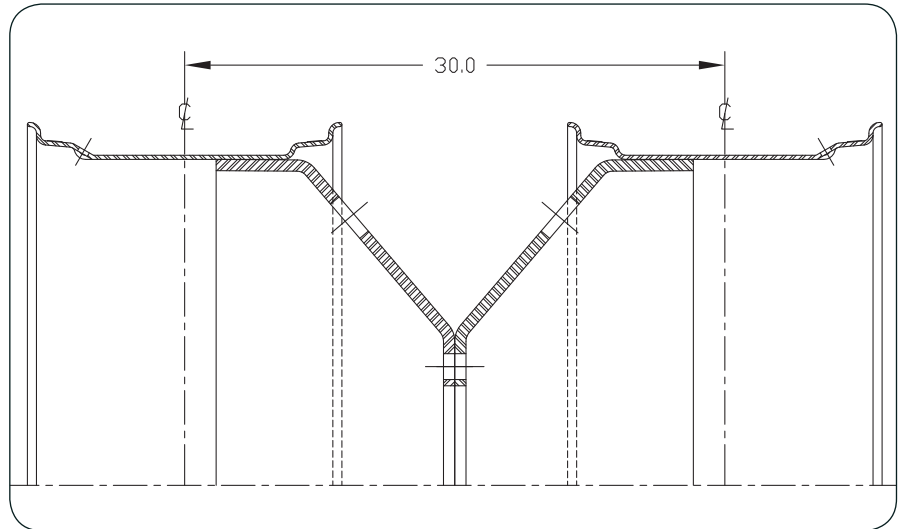
Model	Hub To Hub Measurement ***	Mfgrs. Axle Extension		Hub To Hub Measurement w/Axle Extension	18x38 Pkg. No.	23x38 Pkg. No.	25x38 Pkg. No.	16x42 Pkg. No.	18x42 Pkg. No.	23x42 Pkg. No.
		Required	Length							
Tread Widths Achieved				149.5"	120 180	118 188	122 201	120 180	120 180	118 190
5088, 5130, 5140, 6088, 6130, 6140, 7088, 7130, 7140, 2577 & 2588 w/Standard Axle (Base Axle Only)	125.5"	Yes	12"	149.5"	17481	18362SM	18363SM	17482	17483	18364SM
5088, 5130, 5140, 6088, 6130, 6140, 7088, 7130, 7140, 2577 & 2588 w/Optional Axle (Base Axle w/6" Axle Ext.)	137.5"	Yes*	6" or 12" *	149.5"	17481	18362SM	18363SM	17482	17483	18364SM
5088, 5130, 5140, 6088, 6130, 6140, 7088, 7130, 7140, 2577 & 2588 w/Dual Ready Axle (Base Axle w/12" Axle Ext.)	149.5"	No	-	-	17481	18362SM	18363SM	17482	17483	18364SM
7120, 8120, 7230, 8230, 9230, AFX 7010 & AFX 8010 w/Base Axle Only	128.5"	Yes	10.4"	149.5"	17481	18362SM	18363SM	17482	17483	18364SM
7120, 8120, 7230, 8230, 9230 AXF 7010 & AXF 8010 w/Dual Ready Axle	149.5"	No	-	-	17481	18362SM	18363SM	17482	17483	18364SM

* If adding the 12" Axle Extension, the 6" Axle Extension must be removed before adding the 12" Axle Extension.

** Please verify Hub to Hub measurement with customer before ordering Straddle-Row Packages.

NOTE: Other styles of Straddle-Row Duals may be available, please inquire.

Straddle-Row Duals, Deep-Formed Style for John Deere 9000/9010/9050/9060 Series Combines



**10 Holes on 12.000" Dia. Bolt Circle, 9.507" Dia. Pilot,
and M20-1.5P Bolts (Single Reduction same as Ring & Pinion)**

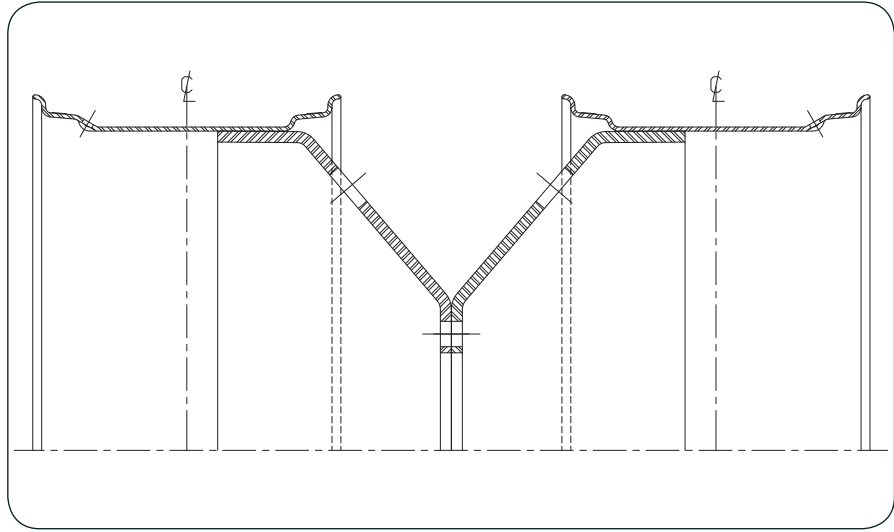
Duals will run at approximately 120" and 180" track width.
Each package consists of four wheels and wheel mounting hardware.

Model	Hub To Hub Measurement ***	Mfgs. Axle Extension		Hub To Hub Measurement w/Axle Extension	16x38 Pkg. No.	18x38 Pkg. No.	16x42 Pkg. No.	18x42 Pkg. No.
		Required	Length					
9400 w/Single Reduction Final Drive (Serial Number 630101 - 640562)	113.5"	Yes	18"	149.5"	12732	12733	12734	12735
9400, 9410 & 9450 w/Single Reduction Final Drive (Serial Number 640563 & Up)	117.75"	Yes	16"	149.25"	12732	12733	12734	12735
9500 w/Single Reduction Final Drive (Serial Number 630201 - 642629)	113.5"	Yes	18"	149.5"	12732	12733	12734	12735
9500, 9510 & 9550 w/Single Reduction Final Drive (Serial Number 642630 & Up)	117.75"	Yes	16"	149.25"	12732	12733	12734	12735
9500 & 9510 w/Dual Ready Axle & Single Reduction Final Drive	149.25"	No	-	-	12732	12733	12734	12735
9600 & 9610 w/Single Reduction Final Drive	135"	Yes	6.5"	148.25"	12732	12733	12734	12735
9600 & 9610 w/Dual Ready Axle & Single Reduction Final Drive	148"	No	-	-	12732	12733	12734	12735
9450, 9550, 9560 & 9560STS	117.75"	Yes	16"	149.25"	12732	12733	12734	12735
9450, 9550, 9560 & 9560STS w/Dual Ready Axle	149.25"	No	-	-	12732	12733	12734	12735
9650 & 9660 w/Regular Duty Final Drives	135"	Yes	6.5"	148"	12732	12733	12734	12735
9650 & 9660 w/Dual Ready Axle & Regular Duty Final Drive	148"	No	-	-	12732	12733	12734	12735

* Please verify Hub to Hub measurement with customer before ordering Straddle-Row Packages.

NOTE: Other styles of Straddle-Row Duals may be available, please inquire.

**Straddle-Row Duals, Deep-Formed Style
for John Deere 9000/9010/9050/9060/9070
Series Combines**



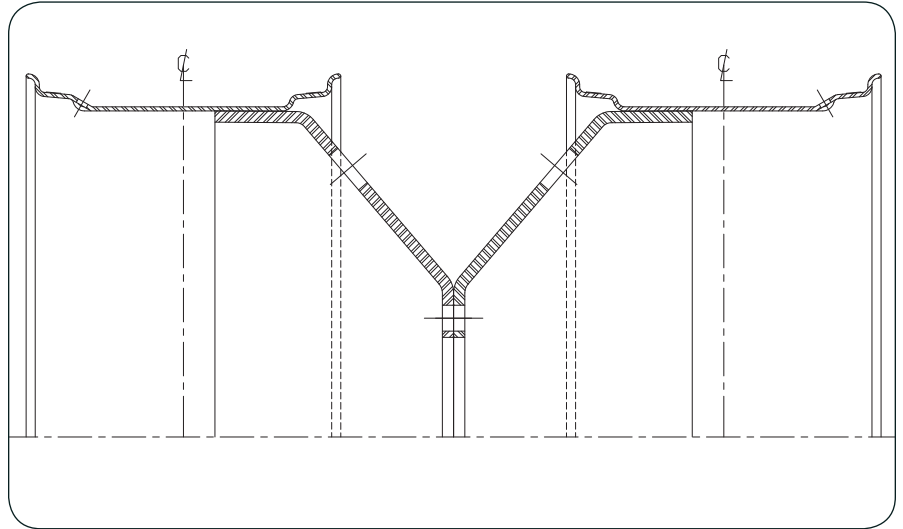
**10 Holes on 13.187" Dia. Bolt Circle, 11.060" Dia. Pilot,
and M20-1.5P Bolts**

Model	Hub To Hub Measurement ***	Mfgs. Axle Extension		Hub To Hub Measurement w/Axle Extension	16x38 Pkg. No.	18x38 Pkg. No.	23x38 Pkg. No.	16x42 Pkg. No.	18x42 Pkg. No.	20x42 Pkg. No.	23x42 Pkg. No.
		Required	Length								
Tread Widths Achieved				149.25"	120 180	120 180	118 188	120 180	120 180	118 182	118 188
9450, 9550, 9560 & 9560STS w/Heavy Duty Final Drive	117.75"	Yes	16"	149.25"	12736	12737	18004	12738	12739	18005	18006
9600 & 9610 w/Planetary Final Drive	136.5"	Yes	6.5"	149.5"	12736	12737	18004	12738	12739	18005	18006
9600 & 9610 w/Dual Ready Axle & Planetary Final Drive	149.5"	No	-	-	12736	12737	18004	12738	12739	18005	18006
9650STS, 9750STS, 9660STS, 9760STS & 9860STS w/Heavy Duty Final Drive	117.75"	Yes	16"	149.25"	12736	12737	18004	12738	12739	18005	18006
9650STS, 9750STS, 9660STS, 9760STS & 9860STS w/Dual Ready Axle	149.25"	No	-	-	12736	12737	18004	12738	12739	18005	18006
9650 & 9660 w/Heavy Duty Final Drive	135"	Yes	6.5"	148"	12736	12737	18004	12738	12739	18005	18006
9650 & 9660 w/Dual Ready Axle & Heavy Duty Final Drive	148"	No	-	-	12736	12737	18004	12738	12739	18005	18006
9570STS, 9670STS, 9770STS, 9870STS w/Heavy Duty Final Drive	117.75"	Yes	16"	149.25"	12736	12737	18004	12738	12739	18005	18006

* Please verify Hub to Hub measurement with customer before ordering Straddle-Row Packages.

NOTE: Other styles of Straddle-Row Duals may be available, please inquire.

**Straddle-Row Duals, Deep-Formed Style
for John Deere S550, S660, S670, S680, S690
Series Combines**



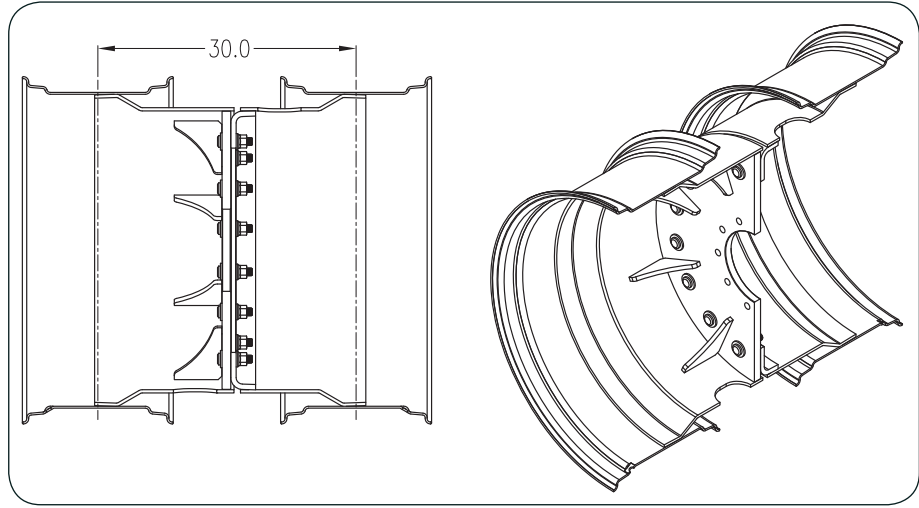
**10 Holes on 13.187" Dia. Bolt Circle, 11.060" Dia. Pilot,
and M22-2.5P Bolts**

Model	Hub To Hub Measurement ***	Mfgs. Axle Extension		Hub To Hub Measurement w/Axle Extension	18x38 Pkg. No.	23x38 Pkg. No.	16x42 Pkg. No.	18x42 Pkg. No.	20x42 Pkg. No.	23x42 Pkg. No.
		Required	Length							
Tread Widths Achieved				149.25"	120 180	118 188	120 180	120 180	118 182	118 188
S550, S660, S670, S680, S690 w/Heavy Duty Final Drive	117.75"	Yes	16"	149.25"	18631Y	18632Y	18633Y	18634Y	18635Y	18636Y
S550, S660, S670, S680, S690 w/Dual Ready Axle	149.25"	No	-	-	18631Y	18632Y	18633Y	18634Y	18635Y	18636Y

* Please verify Hub to Hub measurement with customer before ordering Straddle-Row Packages.

NOTE: Other styles of Straddle-Row Duals may be available, please inquire.

**Straddle-Row Duals, Expanded-Band Style
for John Deere 9000/9010/9050/9060/9070
Series Combines**



**10 Holes on 12.000" Dia. Bolt Circle, 9.507" Dia. Pilot,
and M20-1.5P Bolts (Single Reduction same as Ring & Pinion)**

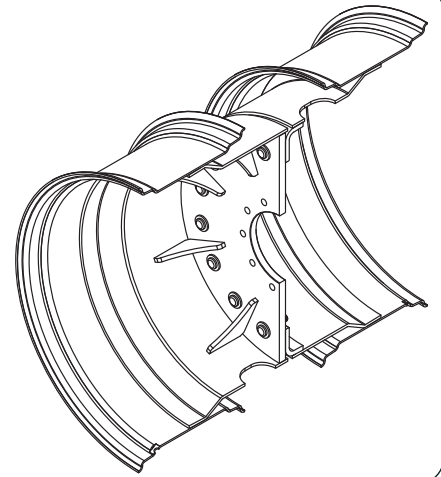
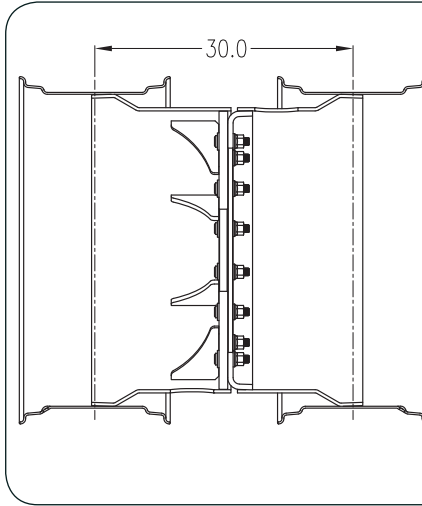
Each package consists of four wheels and wheel mounting hardware.

Model	Hub To Hub Measurement ***	Mfgs. Axle Extension		Hub To Hub Measurement w/Axle Extension	16x38 Pkg. No.	18x38 Pkg. No.	16x42 Pkg. No.	18x42 Pkg. No.
		Required	Length					
9400 & 9410 w/Single Reduction Final Drive (Serial Number 640563 & Up)	117.75"	Yes	16" (400 mm)	149.25"	15852	15853	15854	15855
9500 & 9510 w/Single Reduction Final Drive (Serial Number 642630 & Up)	117.75"	Yes	16" (400 mm)	149.25"	15852	15853	15854	15855
9600 & 9610 w/Single Reduction Final Drive	135"	Yes	6.5" (165 mm)	148.25"	15852	15853	15854	15855
9450, 9550, 9560 & 9560STS	117.75"	Yes	16" (400 mm)	149.25"	15852	15853	15854	15855
9650 & 9660 w/Regular Duty Final Drive	135"	Yes	6.5" (165 mm)	148"	15852	15853	15854	15855

* Please verify Hub to Hub measurement with customer before ordering Straddle-Row Packages.

NOTE: Other styles of Straddle-Row Duals may be available, please inquire.

**Straddle-Row Duals, Expanded-Band Style
for John Deere 9000/9010/9050/9060/9070
Series Combines**



**10 Holes on 13.187" Dia. Bolt Circle, 11.060" Dia. Pilot,
and M20-1.5P Bolts**

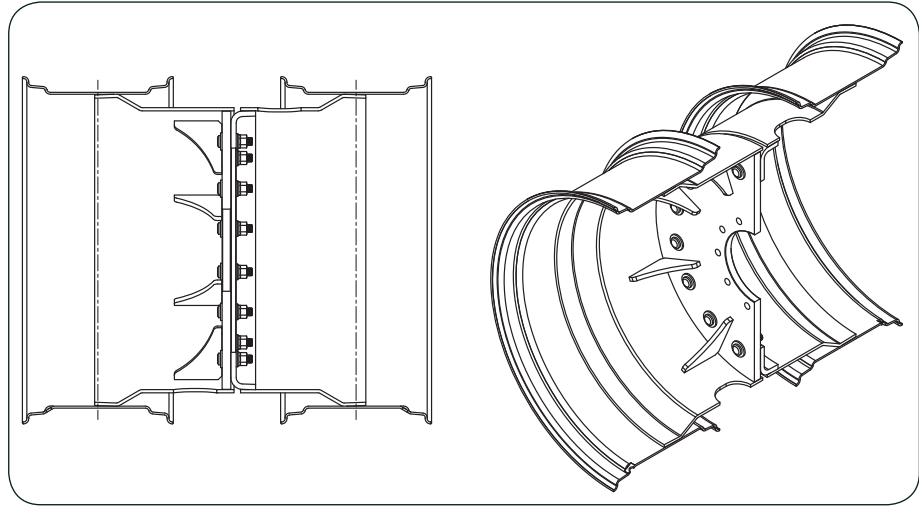
Each package consists of four wheels and wheel mounting hardware.

Model	Hub To Hub Measurement ***	Mfgs. Axle Extension		Hub To Hub Measurement w/Axle Extension	Wheel Track Width	16x42 Pkg. No.
		Required	Length			
9600 & 9610 w/Planetary Final Drive	136.5"	Yes	12" (300 mm)	160.12"	120" Inner 200" Dual (20" Rows)	15439
9650STS & 9750STS w/Heavy Duty Final Drive	117.75"	Yes	18" (450 mm)	153.25"		15405
9650 & 9660 w/Heavy Duty Final Drive	135"	Yes	12" (300 mm)	158.62"		15437
9600 & 9610 w/Planetary Final Drive	136.5"	Yes	18" (450 mm)	172"	132" Inner 220" Dual (22" Rows)	15440
9650 w/Heavy Duty Final Drive	135"	Yes	18" (450 mm)	170.50"		15438

* Please verify Hub to Hub measurement with customer before ordering Straddle-Row Packages.

NOTE: Other styles of Straddle-Row Duals may be available, please inquire.

**Straddle-Row Duals, Expanded-Band Style
for John Deere 9000/9010/9050/9060/9070
Series Combines**



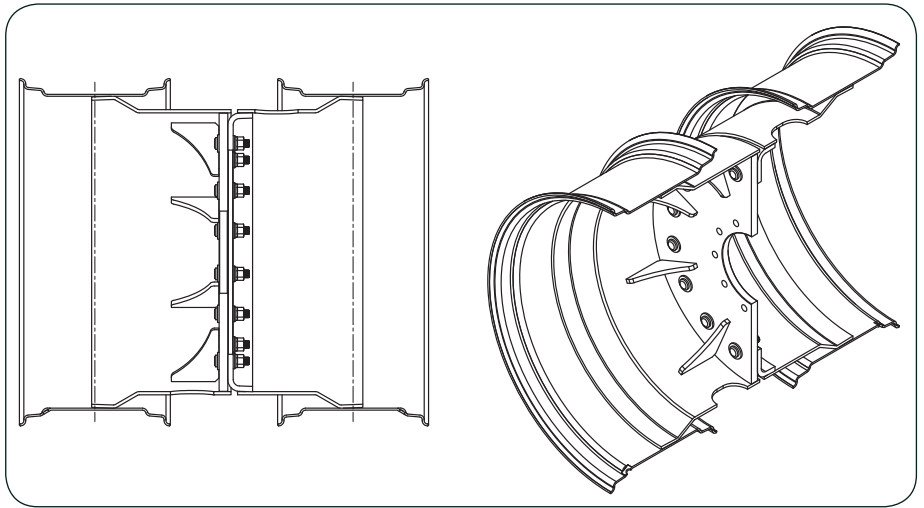
**10 Holes on 13.187" Dia. Bolt Circle, 11.060" Dia. Pilot,
and M20-1.5P Bolts**

Model	Hub To Hub Measurement ***	Mfgs. Axle Extension		Hub To Hub Measurement w/Axle Extension	16x38 Pkg. No.	18x38 Pkg. No.	23x38 Pkg. No.	25x38 Pkg. No.	16x42 Pkg. No.	18x42 Pkg. No.	23x42 Pkg. No.
		Required	Length								
Tread Widths Achieved				149.25"	120 180	120 180	118 188	122 201	120 180	120 180	118 190
9600 & 9610 w/Planetary Final Drive	136.5"	Yes	16" (165mm)	149.5"	15856	15857	18359Y	18360Y	15858	15859	18361Y
9450, 9550, 9560, 9560STS, 9650STS, 9750STS, 9660STS, 9760STS & 9860STS w/Heavy Duty Final Drive	117.75"	Yes	16" (400mm)	149.25"	15856	15857	18359Y	18360Y	15858	15859	18361Y
9650 & 9660 w/Heavy Duty Final Drive	135"	Yes	6.5" (165mm)	148"	15856	15857	18359Y	18360Y	15858	15859	18361Y
9570STS, 9650STS, 9670STS, 9750STS, 9770STS, 9870STS w/Heavy Duty Final Drive	117.75"	Yes	16" (400mm)	149.25"	15856	15857	18359Y	18360Y	15858	15859	18361Y

* Please verify Hub to Hub measurement with customer before ordering Straddle-Row Packages.

NOTE: Other styles of Straddle-Row Duals may be available, please inquire.

**Straddle-Row Duals, Expanded-Band Style
for John Deere S550, S660, S670, S680, S690
Series Combines**



**10 Holes on 13.187” Dia. Bolt Circle, 11.060” Dia. Pilot,
and M22-2.5P Bolts**

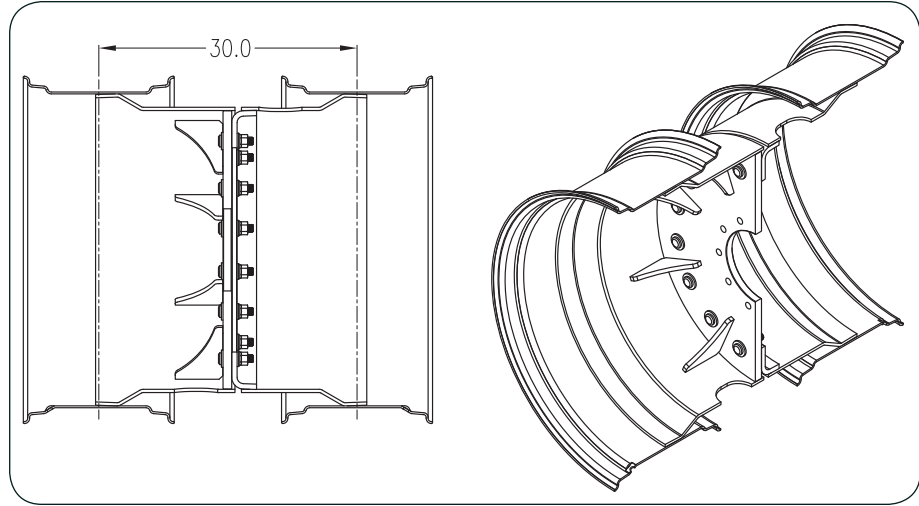
Each package consists of four wheels and wheel mounting hardware.

Model	Hub To Hub Measurement ***	Mfgs. Axle Extension		Hub To Hub Measurement w/Axle Extension	18x38 Pkg. No.	23x38 Pkg. No.	25x38 Pkg. No.	16x42 Pkg. No.	18x42 Pkg. No.	23x42 Pkg. No.
		Required	Length							
Tread Widths Achieved				149.25”	120 180	118 188	122 201	120 180	120 180	118 190
S550, S660, S670, S680, S690 w/Heavy Duty Final Drive	117.75”	Yes	16” (400mm)	149.25”	18625Y	18626Y	18627Y	18628Y	18629Y	18630Y
S550, S660, S670, S680, S690 w/Dual Ready Axle	149.25”	No	-	-	18625Y	18626Y	18627Y	18628Y	18629Y	18630Y

* Please verify Hub to Hub measurement with customer before ordering Straddle-Row Packages.

NOTE: Other styles of Straddle-Row Duals may be available, please inquire.

**Straddle-Row Duals, Expanded-Band Style
for Gleaner C-62/R62/R65/R66/R72/R75/R76 &
S67/S77/A65/A66/A75/A76/A85/A86 Series Combines
with S-36 or S-37 Final Drives**



**10 Holes on 13.187” Dia. Bolt Circle, 11.060” Dia. Pilot,
and 7/8-9 Bolts**

Duals will run at approximately 120” and 180” track width.
Each package consists of four wheels and wheel mounting hardware.

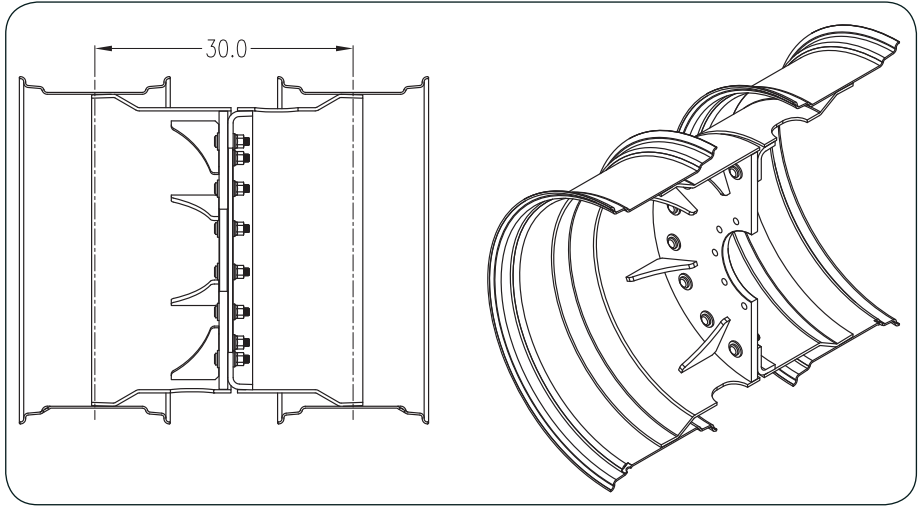
Model	Hub To Hub Measurement ***	Mfgrs. Axle Extension		16x38 Pkg. No.	18x38 Pkg. No.	16x42 Pkg. No.	18x42 Pkg. No.
		Required	Length				
R-62*, C-62 & R-72 w/S-36 or S-37 Final Drive	131.9”	No	-	15075	15076	15077	15078
R65, R75, A65, A75 & A85 w/S-36 or S-37 Final Drive	131.9”	No	-	15075	15076	15077	15078
R66, R76, S67, S77, A66, A76 & A86 w/S-36 or S-37 Final Drive	131.9”	No	-	15075	15076	15077	15078

* This model has been produced with a S-28 / S-29 and a S-36 / S-37 Final Drive. Please verify Final Drive with customer before ordering wheel packages.

** Please verify Hub to Hub measurement with customer before ordering Straddle-Row Packages.

NOTE: Other styles of Straddle-Row Duals may be available, please inquire.

**Straddle-Row Duals, Expanded-Band Style
for Massey Ferguson 8680/8780/9520/9540/9560 &
9690/9695/9790/9795/9895 Series Combines**



**10 Holes on 13.187” Dia. Bolt Circle, 11.060” Dia. Pilot,
and 7/8-9 Bolts**

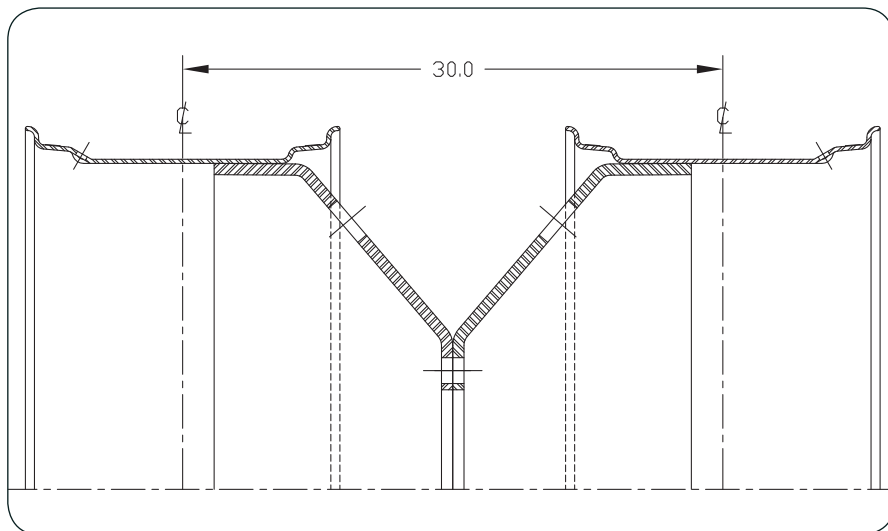
Duals will run at approximately 120” and 180” track width.
Each package consists of four wheels and wheel mounting hardware.

Model	Hub To Hub Measurement ***	Mfgs. Axle Extension		16x38 Pkg. No.	18x38 Pkg. No.	16x42 Pkg. No.	18x42 Pkg. No.
		Required	Length				
8680 & 8780 w/S-37 Final Drive	131.9”	No	-	15075	15076	15077	15078
9520, 9540, 9560, 9690, 9695, 9790, 9795 & 9895 w/S-37 Final Drive	131.9”	No	-	15075	15076	15077	15078

* Please verify Hub to Hub measurement with customer before ordering Straddle-Row Packages.

NOTE: Other styles of Straddle-Row Duals may be available, please inquire.

Straddle-Row Duals, Deep-Formed Style for New Holland CR Series Combines



**20 Holes on 13.187" Dia. Bolt Circle, 11.060" Dia. Pilot,
and M22-1.5P Bolts**

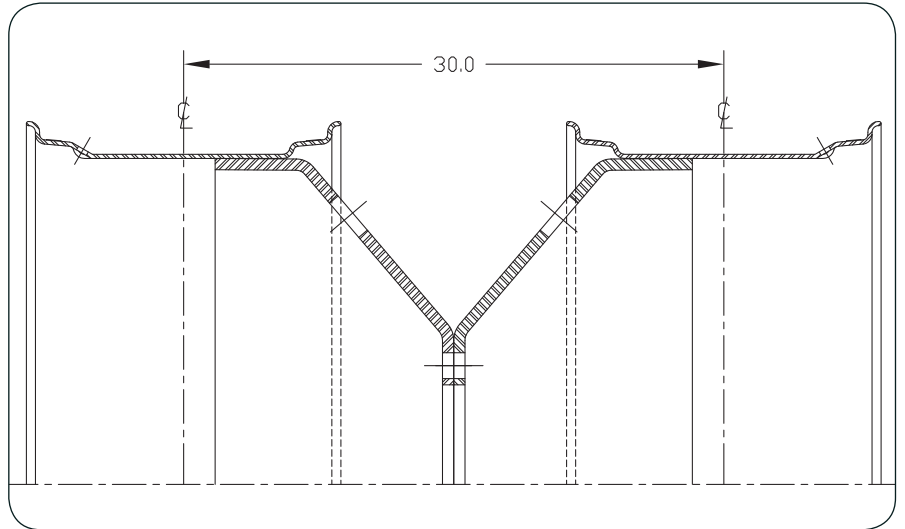
Each package consists of four wheels and wheel mounting hardware.

Model	Hub To Hub Measurement ***	Mfgs. Axle Extension		Hub To Hub Measurement w/Axle Extension	23x38 Pkg. No.	18x42 Pkg. No.	20x42 Pkg. No.	23x42 Pkg. No.
		Required	Length					
Tread Widths Achieved				149.5"	116 186	120 180	120 180	116 186
CR920, CR940, CR960, CR970, CR9040, CR9060, CR9065, CR9070, CR9080, CR9090 w/Standard Axle (Base Axle Only)	128.5"	Yes	10.4"	149.5"	18001	17486	17487	18003
CR920, CR940, CR960, CR970, CR9040, CR9060, CR9065, CR9070, CR9080, CR9090 w/Dual Ready Axle	149.5"	No			18001	17486	17487	18003

** Please verify Hub to Hub measurement with customer before ordering Straddle-Row Packages.

NOTE: Other styles of Straddle-Row Duals may be available, please inquire.

**Straddle-Row Duals, Deep-Formed Style
for New Holland TR87/TR88/TR89/TR97/TR98/TR99
Series Combines**



**10 Holes on 13.187" Dia. Bolt Circle, 11.060" Dia. Pilot,
and 3/4-16 Bolts**

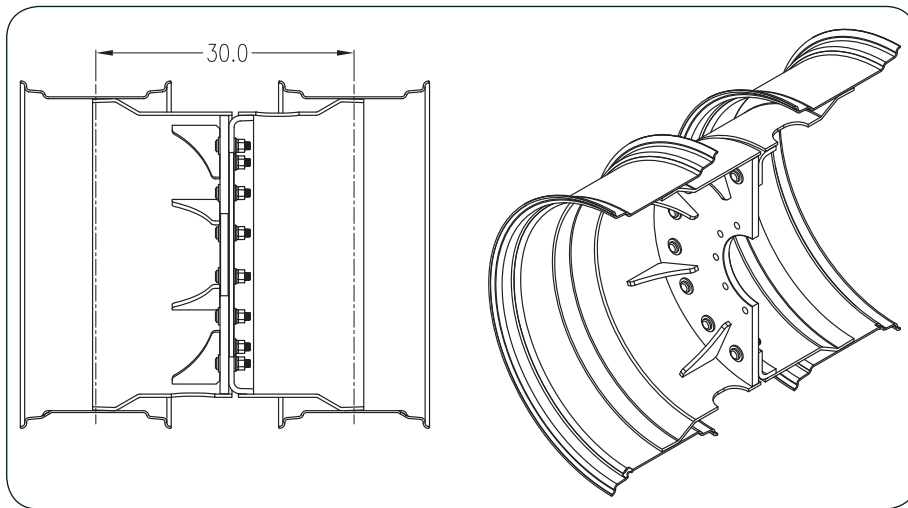
Duals will run at approximately 120" and 180" track width.
Each package consists of four wheels, two hub extensions and wheel mounting hardware.

Model	Hub To Hub Measurement ***	Mfgs. Axle Extension		Hub To Hub Measurement w/Axle Extension	Hub Extension Supplied w/Package	16x38 Pkg. No.	18x38 Pkg. No.	16x42 Pkg. No.	18x42 Pkg. No.
		Required	Length						
TR87 & TR88	108.75"	Yes	15"	138.75"	5.5"	13933	13934	13935	13936
TR89, TR97, TR98 & TR99	128"	No	-	128"	10.375"	13937	13938	13939	13940
TR98, TR89 & TR99 w/Dual Ready Axle	128"	Yes	6"***	140"	5.5"	13933	13934	13935	13936

- * Please verify Hub to Hub measurement with customer before ordering Straddle-Row Packages.
- ** This extension is supplied with the dual ready package from New Holland.
- *** 20.8R42 R-2 Tires will NOT clear ladder platform. 18.4R42 R-2 & 20.8R42 R-1 Tires may have minimal clearance with ladder platform.

NOTE: Other styles of Straddle-Row Duals may be available, please inquire.

Straddle-Row Duals, Expanded-Band Style for New Holland CR Series Combines



**20 Holes on 13.187” Dia. Bolt Circle, 11.060” Dia. Pilot,
and M22-1.5P Bolts**

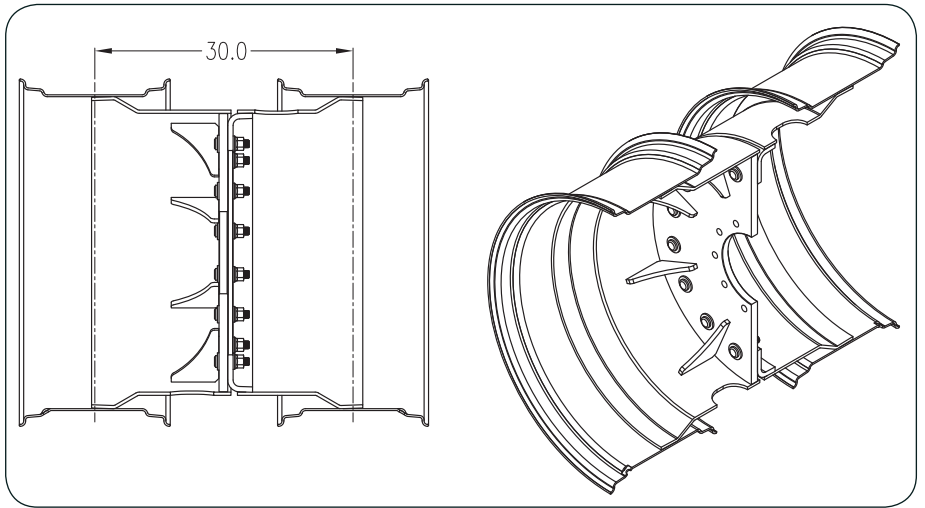
Each package consists of four wheels and wheel mounting hardware.

Model	Hub To Hub Measurement ***	Mfgs. Axle Extension		Hub To Hub Measurement w/Axle Extension	23x38 Pkg. No.	25x38 Pkg. No.	23x42 Pkg. No.
		Required	Length				
Tread Widths Achieved				149.5”	118 188	122 201	118 190
CR920, CR940, CR960, CR970, CR9040, CR9060, CR9070, CR9080, CR9065, CR9090 w/Standard Axle (Base Axle Only)	128.5”	Yes	10.4”	149.5”	18362W	18363W	18364W
CR920, CR940, CR960, CR970, CR9040, CR9060, CR9070, CR9080, CR9065, CR9090 w/Dual Ready Axle	149.5”	No	-	-	18362W	18363W	18364W

** Please verify Hub to Hub measurement with customer before ordering Straddle-Row Packages.

NOTE: Other styles of Straddle-Row Duals may be available, please inquire.

Straddle-Row Duals, Expanded-Band Style for New Holland TR89, TR97, TR98, TR99 Series Combines



**10 Holes on 13.187” Dia. Bolt Circle, 11.060” Dia. Pilot,
and 3/4-16 Bolts**

Duals will run at approximately 120” and 180” track width.
Each package consists of four wheels and wheel mounting hardware.

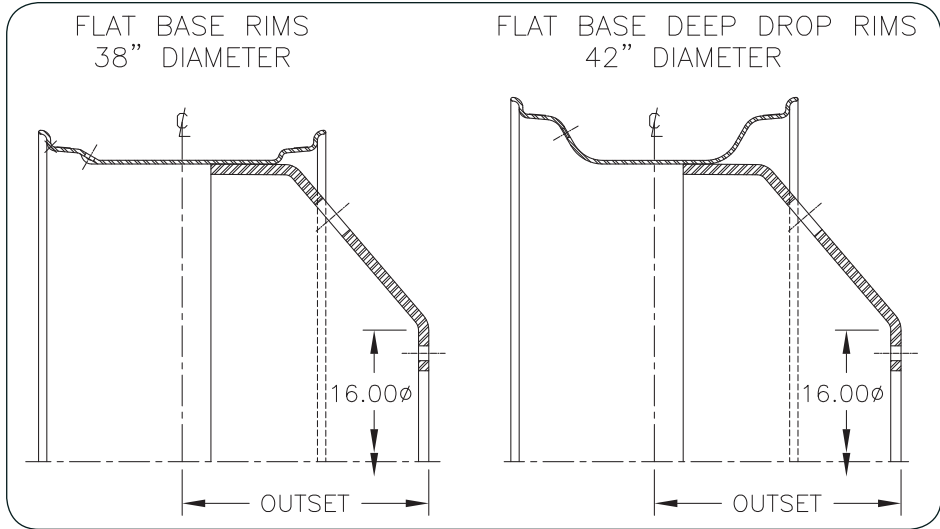
Model	Hub To Hub Measurement ***	Mfgs. Axle Extension		16x38 Pkg. No.	18x38 Pkg. No.	16x42 Pkg. No.	18x42 Pkg. No.
		Required	Length				
TR89, TR97, TR98 & TR99	128”	No	-	15079	15080	15081	15082

* Please verify Hub to Hub measurement with customer before ordering Straddle-Row Packages.

*** 20.8R42 R-2 Tires will NOT clear ladder platform. 18.4R42 R-2 & 20.8R42 R-1 Tires may have minimal clearance with ladder platform.

NOTE: Other styles of Straddle-Row Duals may be available, please inquire.

Straddle-Row Dual Wheels Loose Wheels ONLY



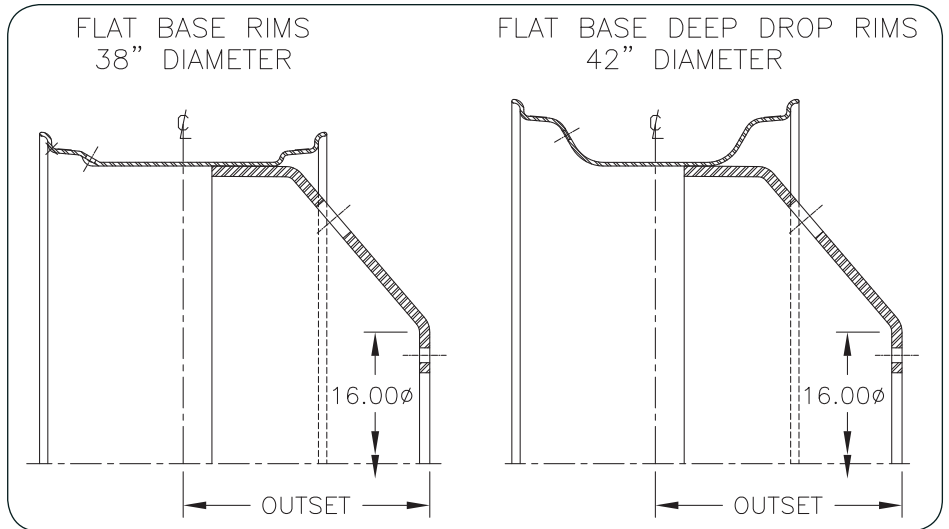
Wheel Size	Bolt Pattern	Outset*	Approx. Weight	Stock Number
16 x 38	10 Holes On 13.187 \emptyset B.C. w/11.060 \emptyset , .812 \emptyset Holes	15"	472 lbs.	12373SM / 12373Y / 12373NHY
18 x 38		15"	490 lbs.	12374SM / 12374Y / 12374NHY
16 x 42		15"	491 lbs.	12375SM / 12375Y / 12375NHY
18 x 42		15"	514 lbs.	12376SM / 12376Y / 12376NHY
16 x 38	10 Holes On 13.187 \emptyset B.C. w/11.060 \emptyset , .906 \emptyset Holes	15"	472 lbs.	12377SM / 12377Y / 12377NHY
18 x 38		15"	490 lbs.	12378SM / 12378Y / 12378NHY
16 x 42		15"	491 lbs.	12379SM / 12379Y / 12379NHY
18 x 42		15"	514 lbs.	12380SM / 12380Y / 12380NHY
16 x 38	10 Holes On 13.187 \emptyset B.C. w/11.060 \emptyset , .843 \emptyset Holes	13"	434 lbs.	15870Y
18 x 38		13"	452 lbs.	15871Y
16 x 42		13"	455 lbs.	15872Y
18 x 42		13"	470 lbs.	15873Y
16 x 38		15"	434 lbs.	12381Y
18 x 38		15"	452 lbs.	12382Y
16 x 42		15"	455 lbs.	12383Y
18 x 42		15"	470 lbs.	12384Y
16 x 38	20 Holes On 13.187 \emptyset B.C. w/11.060 \emptyset , 15 - .843 \emptyset Holes & 5 - 1.437 \emptyset Holes	15"	472 lbs.	12385SM
18 x 38		15"	490 lbs.	12386SM
16 x 42		15"	491 lbs.	12387SM
18 x 42		15"	514 lbs.	12388SM

See Page I-6 for Wheel Outset/Inset Definitions.

These wheels are painted according to color codes:

WO = Off White, NHY = New Holland Yellow, SM = Silver Mist, Y = Yellow

Straddle-Row Dual Wheels Loose Wheels ONLY



Wheel Size	Bolt Pattern	Outset*	Approx. Weight	Stock Number
16 x 38	10 Holes On 11.2500 B.C. w/8.7000, .8430 Holes	15"	479 lbs.	12389SM
18 x 38		15"	497 lbs.	12390SM
16 x 42		15"	498 lbs.	12391SM
18 x 42		15"	521 lbs.	12392SM
16 x 38	10 Holes On 12.0000 B.C. w/9.5070, .8430 Holes	13"	438 lbs.	15874Y
18 x 38		13"	456 lbs.	15875Y
16 x 42		13"	460 lbs.	15876Y
18 x 42		13"	474 lbs.	15877Y
16 x 38		15"	438 lbs.	12393Y
18 x 38		15"	456 lbs.	12394Y
16 x 42		15"	460 lbs.	12395Y
18 x 42	15"	474 lbs.	12396Y	
16 x 38	10 Holes On 13.1870 B.C. w/11.0900, 5 - .8120 Holes & 5 - 1.3750 Holes	15"	472 lbs.	12397W0
18 x 38		15"	490 lbs.	12398W0
16 x 42		15"	491 lbs.	12399W0
18 x 42		15"	514 lbs.	12400W0

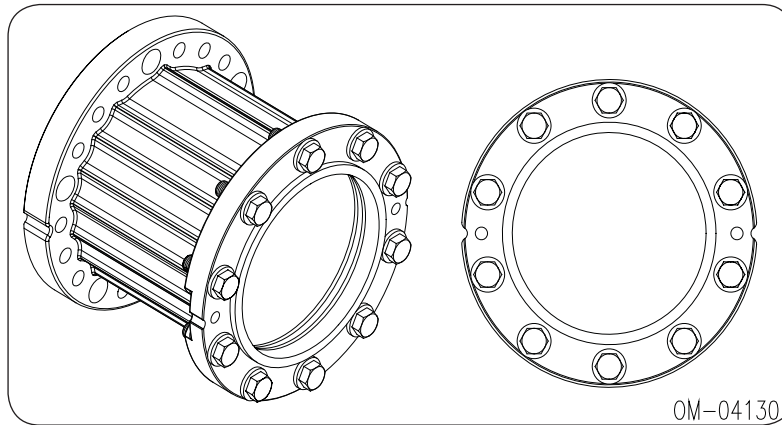
See Page I-6 for Wheel Outset/Inset Definitions.

These wheels are painted according to color codes:

WO = Off White, NHY = New Holland Yellow, SM = Silver Mist, Y = Yellow

Combine Dual Wheel Hub Spacers

Used only for adding 10-Hole Dual Wheels to Combines



Case-IH

Models 2100, 2300 Series Combines

Length	Bolt Pattern		Approx. Weight	Stock Number
	Machine End	Dual Wheel End		
10"	20 Holes Eq. Sp. on 13.1870 Bolt Circle w/11.0600 Pilot 5 - Holes 1.3750 Eq. Sp. 15 - Holes .8430 5 Groups of 3	10 Holes M22 x 2.5P Eq. Sp. on 13.1870 Bolt Circle w/11.0200 Pilot	93 lbs.	12121
13"			107 lbs.	12365
15"			124 lbs.	16086B
19.5"			142 lbs.	16087B
21"			138 lbs.	16088B
27"	10 Holes .8430 Eq. Sp. on 13.1870 Bolt Circle w/9.5350 Pilot		158 lbs.	16089B

Case-IH

Models 2577, 2588, 5088, 5130, 5140, 6088, 6130, 6140, 7088, 7130, 7140

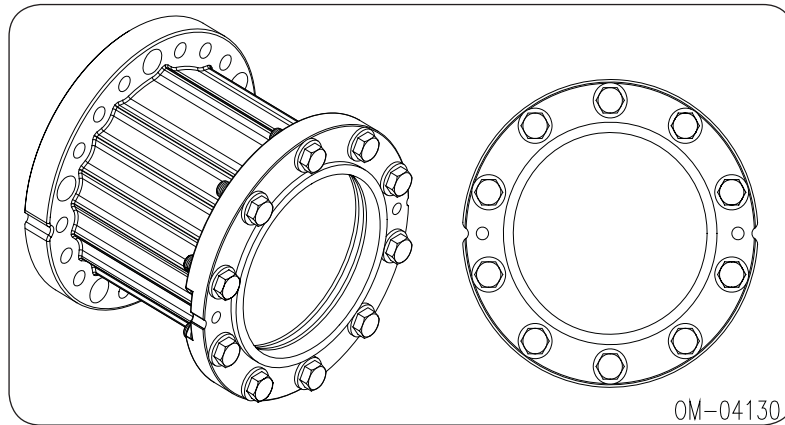
Length	Bolt Pattern		Approx. Weight	Stock Number
	Machine End	Dual Wheel End		
27"	20 Holes Eq. Sp. on 13.1870 Bolt Circle w/10.5600 Pilot 5 - Holes 1.5600 Eq. Sp. 15 - Holes .9370 5 Groups of 3	10 Holes M22 x 2.5P Eq. Sp. on 13.1870 Bolt Circle w/10.2500 Pilot	184 lbs.	19441B

ADDITIONAL INFORMATION:

Above spacers are painted Gloss Black.

These spacers include the appropriate hardware to bolt the dual wheel to the spacer.

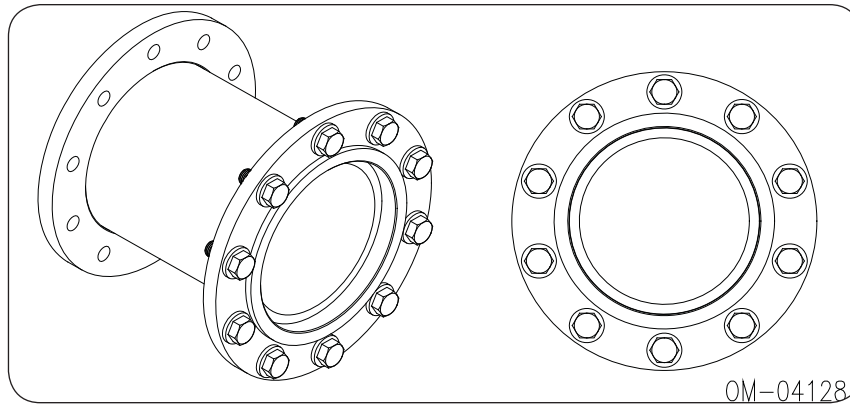
Combine Dual Wheel Hub Spacers
Used only for adding 10-Hole Dual Wheels to Combines



Case-IH
Models 7010, 7120, 7230, 7240, 8010, 8120, 8230, 8240,
9230, 9240

Length	Bolt Pattern		Approx. Weight	Stock Number
	Machine End	Dual Wheel End		
27"	20 Holes Eq. Sp. on 13.187 \emptyset Bolt Circle w/10.560 \emptyset Pilot 10 - Holes 1.562 \emptyset Eq. Sp. 10 - Holes .937 \emptyset	10 Holes M22 x 2.5P Eq. Sp. on 13.187 \emptyset Bolt Circle w/10.250 \emptyset Pilot	182 lbs.	19443B

Combine Dual Wheel Hub Spacers
Used only for adding 10-Hole Dual Wheels to Combines



John Deere
Models 9400, 9410, 9450, 9500, 9510,
9550, 9600*, 9610*, 9650* Series Combines

Length	Bolt Pattern		Approx. Weight	Stock Number
	Machine End	Dual Wheel End		
10"	10 Holes .843Ø Eq. Sp. on 12.000Ø Bolt Circle w/9.535Ø Pilot	10 Holes M22 x 2.5P Eq. Sp. on 13.187Ø Bolt Circle w/11.020Ø Pilot	95 lbs.	12118
12"			103 lbs.	12726
13"			125 lbs.	16106
15"			134 lbs.	12665
18"			127 lbs.	13020
21"			139 lbs.	13021
27"			173 lbs.	14919Y

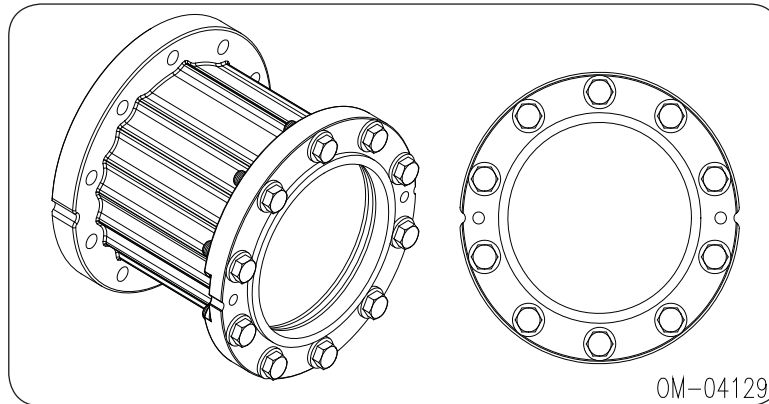
* These models are available with more than one final drive. Please verify final drive with customer before ordering.

ADDITIONAL INFORMATION:

Above spacers are painted Yellow.

These spacers include the appropriate hardware to bolt the dual wheel to the spacer.

Combine Dual Wheel Hub Spacers
Used only for adding 10-Hole Dual Wheels to Combines



John Deere

Models 9560, 9560STS, 9570STS, 9600*, 9610*, 9650*, 9650STS, 9660STS, 9670STS, 9750STS, 9760STS, 9770STS, 9860STS, 9870STS Series Combines

Length	Bolt Pattern		Approx. Weight	Stock Number
	Machine End	Dual Wheel End		
8"	10 Holes .843Ø Eq. Sp. on 13.187Ø Bolt Circle w/11.060Ø Pilot	10 Holes M22 x 2.5P Eq. Sp. on 13.187Ø Bolt Circle w/11.020Ø Pilot	109 lbs.	16096Y
10"			118 lbs.	16097Y
13"			131 lbs.	16098Y
15"			140 lbs.	16099Y
19.5"			160 lbs.	16100Y
21.5"			169 lbs.	16101Y
27"			158 lbs.	16089Y

John Deere

Models S550, S660, S670, S680, S690

Length	Bolt Pattern		Approx. Weight	Stock Number
	Machine End	Dual Wheel End		
8"	10 Holes .906Ø Eq. Sp. on 13.187Ø Bolt Circle w/11.060Ø Pilot	10 Holes M22 x 2.5P Eq. Sp. on 13.187Ø Bolt Circle w/11.020Ø Pilot	99 lbs.	18381Y
10"			107 lbs.	18382Y
13"			119 lbs.	18383Y
15"			127 lbs.	18384Y
19.5"			145 lbs.	18385Y
21.5"			153 lbs.	18386Y

* These models are available with more than one final drive. Please verify final drive with customer before ordering.

ADDITIONAL INFORMATION:

Above spacers are painted Yellow.

These spacers include the appropriate hardware to bolt the dual wheel to the spacer.

Combine Dual Wheel Hub Spacers
Used only for spacing between OE Dual Wheels on Combines

Case-IH

Models 2577, 2588, 5088, 6088, 7088, 5130, 6130, 7130, 5140, 6140, 7140

Length	Bolt Pattern		Approx. Weight	Stock Number
	Machine End	Dual Wheel End		
8"	20 Holes Eq. Sp. on 13.1870 Bolt Circle w/11.0600 Pilot 5 - Holes 1.3750 Eq. Sp. 15 - Holes .9060 5 Groups of 3	20 Holes M22 x 2.5P Eq. Sp. on 13.1870 Bolt Circle w/11.0200 Pilot	93 lbs.	17897B

ADDITIONAL INFORMATION:

These spacers include the appropriate hardware to bolt the dual wheel to the spacer.

Case-IH

Models 7010, 8010, 7120, 8120, 7230, 8230, 9230 7240, 8240, 9240

Length	Bolt Pattern		Approx. Weight	Stock Number
	Machine End	Dual Wheel End		
8"	20 Holes .9370 Eq. Sp. on 13.1870 Bolt Circle w/11.0600 Pilot	20 Holes M22 x 2.5P Eq. Sp. on 13.1870 Bolt Circle w/11.0200 Pilot	93 lbs.	17894B

ADDITIONAL INFORMATION:

These spacers include the appropriate hardware to bolt the dual wheel to the spacer.

Combine Dual Wheel Hub Spacers
Used only for spacing between OE Dual Wheels on Combines

John Deere
Models 9660STS, 9760STS, 9860STS,
9570STS, 9670STS, 9770STS, 9870STS

Length	Bolt Pattern		Approx. Weight	Stock Number
	Machine End	Dual Wheel End		
8"	10 Holes .843Ø Eq. Sp. on 13.187Ø Bolt Circle w/11.060Ø Pilot	10 Holes M20 x 1.5P Eq. Sp. on 13.187Ø Bolt Circle w/11.020Ø Pilot	109 lbs.	17899Y

ADDITIONAL INFORMATION:

These spacers include the appropriate hardware to bolt the dual wheel to the spacer.

New Holland
Models CR940, CR960, CR970,
CR9040, CR9060, CR9070, CR9080

Length	Bolt Pattern		Approx. Weight	Stock Number
	Machine End	Dual Wheel End		
8"	20 Holes .937Ø Eq. Sp. on 13.187Ø Bolt Circle w/11.060Ø Pilot	20 Holes M22 x 2.5P Eq. Sp. on 13.187Ø Bolt Circle w/11.020Ø Pilot	93 lbs.	17894B

ADDITIONAL INFORMATION:

These spacers include the appropriate hardware to bolt the dual wheel to the spacer.

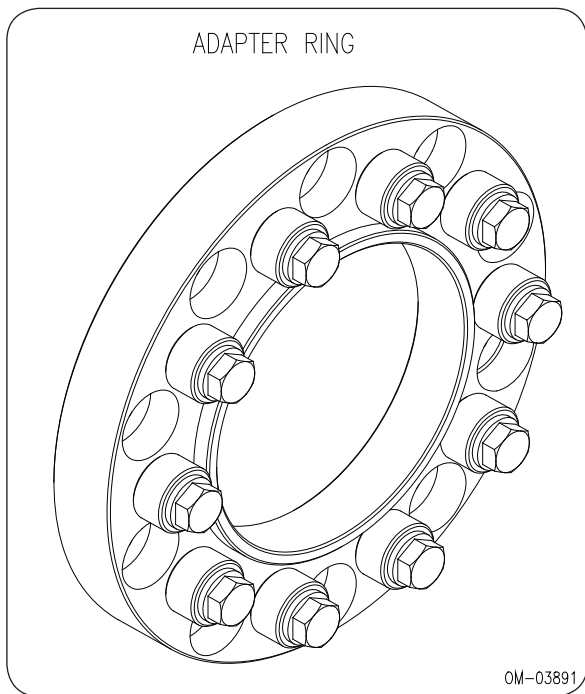
Combine Adapter Rings

Make	Applications	Description	Approx. Weight	Stock Number
John Deere	Utilize Wheels from 7720 & 8820 to Fit 9000 / 9010 / 9050 Series	1.875" Adapter Ring to mount wheel w/10 on 13.1870 B.C. onto hub w/10 on 12.0000 B.C. (3/4" Hardware Included)	53 lbs.	14341
		1.875" Adapter Ring to mount wheel w/10 on 13.1870 B.C. onto hub w/10 on 12.0000 B.C. (7/8" Hardware Included)	54 lbs.	14342
	Utilize Wheels from 9000 / 9010 / 9050 Series to Fit 9000 / 9010 / 9050 Series	2.00" Adapter Ring to mount wheel w/10 on 12.0000 B.C. onto hub w/10 on 13.1870 B.C. (M20 x 1.5P Hardware Included)	67 lbs.	15658
		2.00" Adapter Ring to mount wheel w/10 on 13.1870 B.C. onto hub w/10 on 12.0000 B.C. (M20 x 1.5P Hardware Included)	54 lbs.	15866

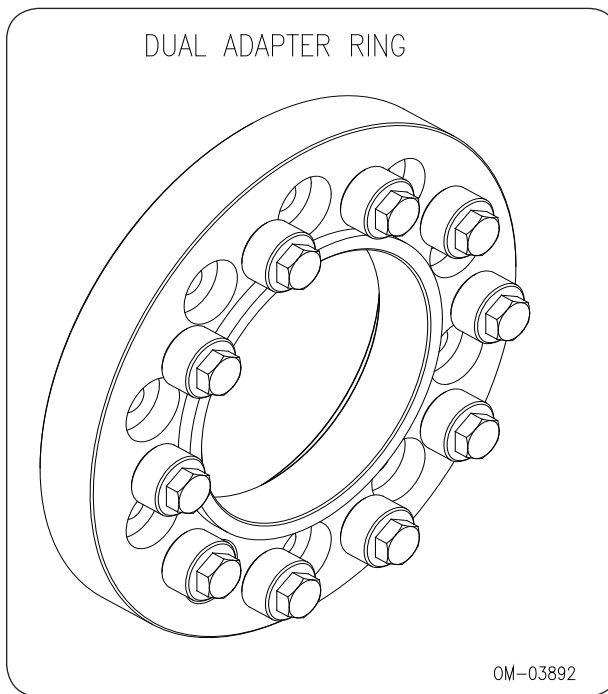
Combine Dual Adapter Rings

Make	Applications	Description	Approx. Weight	Stock Number
John Deere	9000 / 9010 / 9050 Series Combines	2.00" Adapter Ring w/20 on 12.0000 B.C. to allow Inner and Dual wheels to be mounted independtly of each other. (i.e. remove dual wheel without removing inner wheel for storage or transport) (Hardware Included)	82 lbs.	15600
		2.00" Adapter Ring w/20 on 13.1870 B.C. to allow Inner and Dual wheels to be mounted independtly of each other. (i.e. remove dual wheel without removing inner wheel for storage or transport) (Hardware Included)	70 lbs.	15601
	S550 / S660 / S670 / S680 / S690 Series Combines	2.00" Adapter Ring w/20 on 13.1870 B.C. to allow Inner and Dual wheels to be mounted independtly of each other. (i.e. remove dual wheel without removing inner wheel for storage or transport) (Hardware Included)	65 lbs.	18569Y

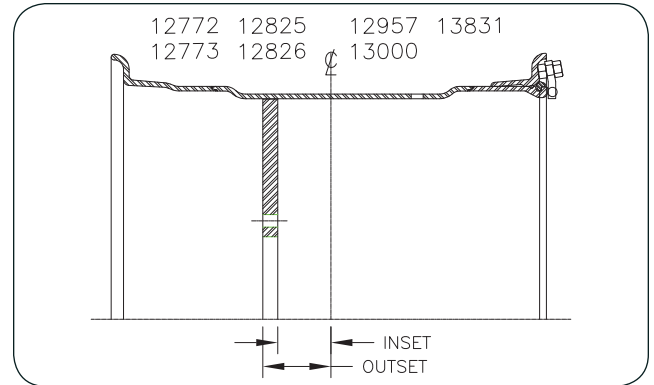
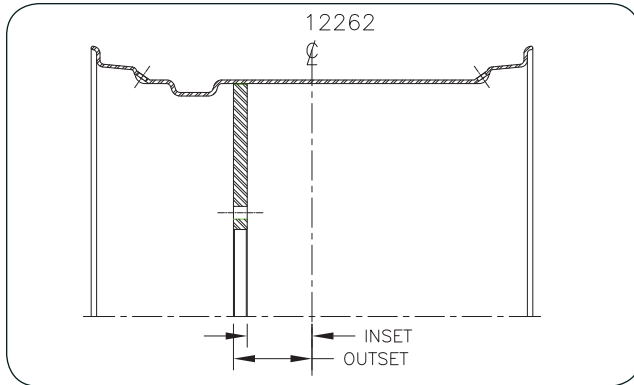
ADAPTER RING



DUAL ADAPTER RING



Combine Front Drive Wheels

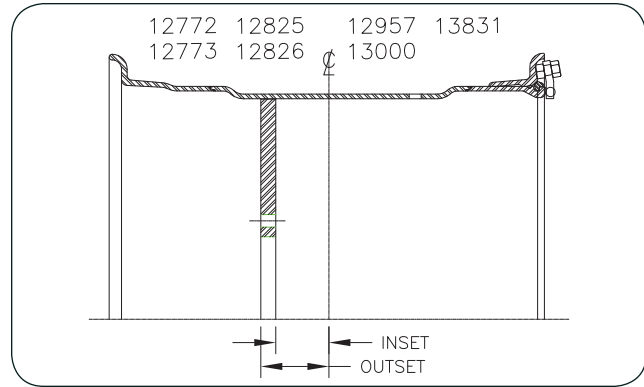
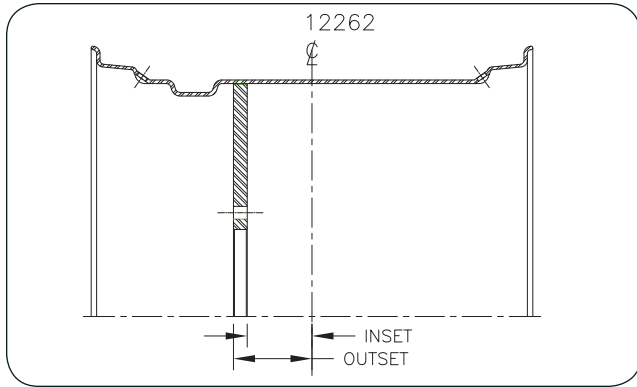


Case-IH

Wheel Dimensions				Tire Size(s) Normally Mounted On Wheel	Combines that these Wheels are used on and the Mounting Information	Material Thickness		Rim Type	Approx. Weight	Stock Number
Diameter	Width	*Wheel Offset				Rim	Disc			
		Outset	Inset							
32"	21"	-3.375"	2.50"	24.5 x 32	Case-IH 2100, 2300 Series 10 Holes (.843Ø) on 13.187Ø B.C. w/11.060Ø Pilot	.276"	.875"	1 pc.	339 lbs.	17928SM
32"	27"	-4.875"	4.00"	30.5 x 32, 800/65R32	Case-IH 7010, 8010, 7120, 8120, 7130, 7140, 7230, 7240, 8230, 8240, 9230, 9240 20 Holes (.937Ø) on 13.187Ø B.C. w/11.060Ø Pilot	.312"	.875"	1 pc.	415 lbs.	17885SM
32"	30"	-4.875"	4.00"	900/60R32	Case-IH 7010, 8010, 7120, 8120, 7130, 7140, 7230, 7240, 8230, 8240, 9230, 9240 20 Holes (.937Ø) on 13.187Ø B.C. w/11.060Ø Pilot	.312"	.875"	1 pc.	415 lbs.	17988SM

See Page I-6 for Wheel Outset/Inset Definitions.

Combine Front Drive Wheels

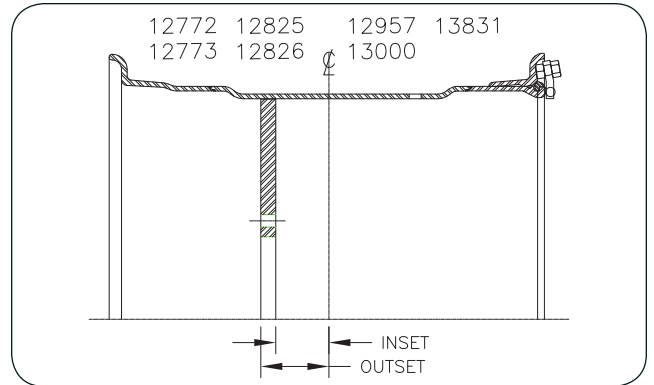
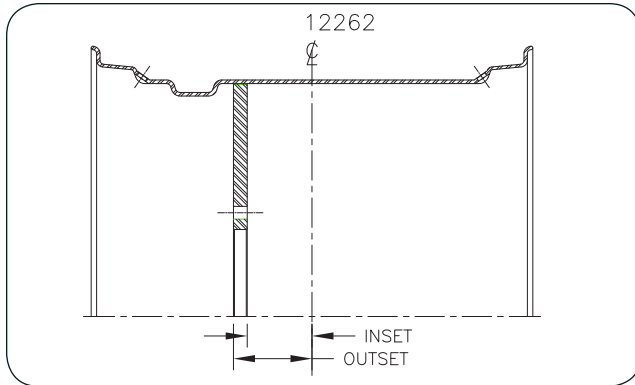


John Deere

Wheel Dimensions				Tire Size(s) Normally Mounted On Wheel	Combines that these Wheels are used on and the Mounting Information	Material Thickness		Rim Type	Approx. Weight	Stock Number
Diameter	Width	*Wheel Offset				Rim	Disc			
		Outset	Inset							
32"	21"	-3.375"	2.50"	24.5 x 32	John Deere 9000 / 9010 / 9050 / 9060 Series w/10 Holes (.843Ø) on 12.000Ø B.C. w/9.507Ø Pilot	.276"	.875"	1 pc.	339 lbs.	17930Y
					John Deere 9000 / 9010 / 9050 / 9060 Series w/10 Holes (.843Ø) on 13.187Ø B.C. w/11.060Ø Pilot	.276"	.875"	1 pc.	345 lbs.	17928Y
32"	27"	-3.375"	2.50"	30.5 x 32, 800/65R32	John Deere 9000 / 9010 / 9050 / 9060 / 9070 Series w/10 Holes (.843Ø) on 13.187Ø B.C. w/11.060Ø Pilot	.312"	.875"	1 pc.	415 lbs.	17793Y
					John Deere S550, S660, S670, S680, S690 w/10 Holes (.906Ø) on 13.187Ø B.C. w/11.060Ø Pilot	.276"	.875"	1 pc.	382 lbs.	18600Y
32"	30"	-3.375"	2.50"	900/60R32	John Deere 9000 / 9010 / 9050 / 9060 Series w/10 Holes (.843Ø) on 13.187Ø B.C. w/11.060Ø Pilot	.312"	.875"	1 pc.	415 lbs.	17989Y
					John Deere S550, S660, S670, S680, S690 w/10 Holes (.906Ø) on 13.187Ø B.C. w/11.060Ø Pilot	.276"	.875"	1 pc.	404 lbs.	18601Y
32"	36"	-7.00"	6.00"	73 x 44.00-32 1050/50R32	John Deere S550, S660, S670, S680, S690 w/10 Holes (.906Ø) on 13.187Ø B.C. w/11.060Ø Pilot	.312"	1.00"	3 pc.	575 lbs.	18614Y

See Page I-6 for Wheel Outset/Inset Definitions.

Combine Front Drive Wheels

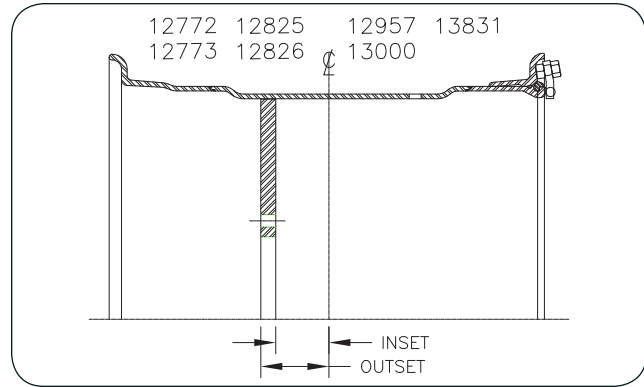
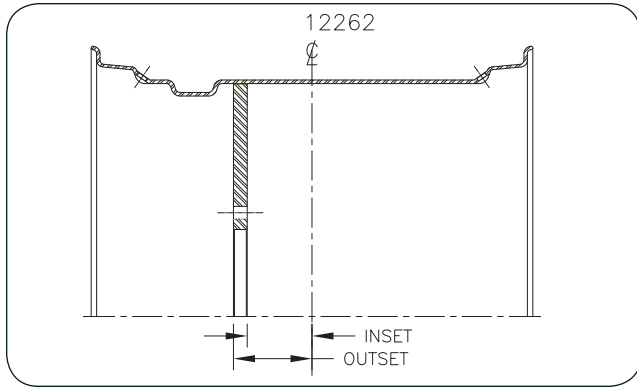


John Deere (continued)

Wheel Dimensions			Tire Size(s) Normally Mounted On Wheel	Combines that these Wheels are used on and the Mounting Information	Material Thickness		Rim Type	Approx. Weight	Stock Number	
Diameter	Width	*Wheel Offset			Rim	Disc				
		Outset								Inset
32"	44"	-2.00"	NA	68 x 50.00-32 or 76 x 50.00-32	.312"	1.00"	3 pc.	635 lbs.	15929Y	
								628 lbs.	15931Y	
		-2.00"	1.00"					628 lbs.	18617Y	
38"	25"	-3.375"	2.50"	800/70R38	.276"	.875"	1 pc.	415 lbs.	17991Y	
								.276"	.875"	1 pc.

See Page I-6 for Wheel Outset/Inset Definitions.

Combine Front Drive Wheels



Gleaner Combines

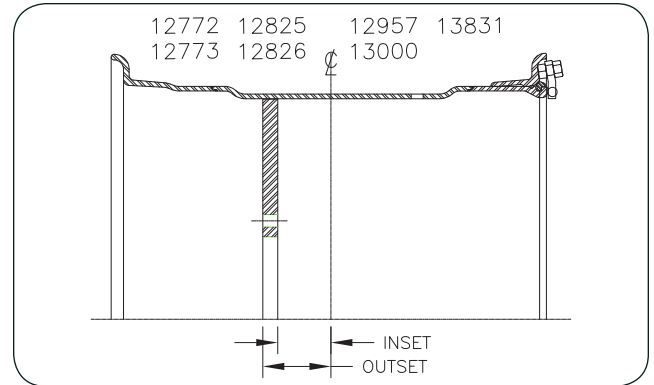
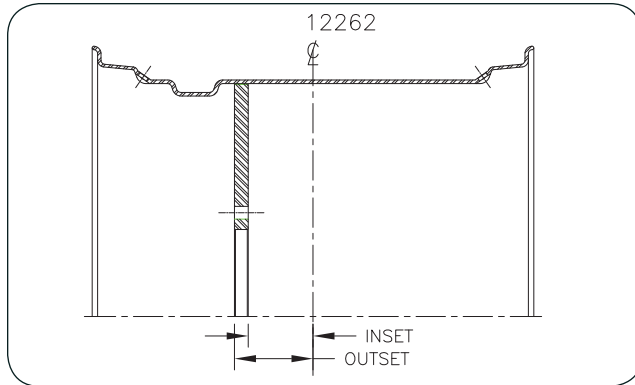
Wheel Dimensions				Tire Size(s) Normally Mounted On Wheel	Combines that these Wheels are used on and the Mounting Information	Material Thickness		Rim Type	Approx. Weight	Stock Number
Diameter	Width	*Wheel Offset				Rim	Disc			
		Outset	Inset							
32"	21"	-6.575"	5.95"	24.5 x 32, 650/75R32, 680/75R32	Gleaner Combines 10 Holes (.906Ø) on 13.187Ø B.C. w/11.060Ø Pilot	.276"	.625"	1 pc.	291 lbs.	17957SM

New Holland

Wheel Dimensions				Tire Size(s) Normally Mounted On Wheel	Combines that these Wheels are used on and the Mounting Information	Material Thickness		Rim Type	Approx. Weight	Stock Number
Diameter	Width	*Wheel Offset				Rim	Disc			
		Outset	Inset							
32"	27"	-5.00"	4.125"	30.5 x 32, 800/65R32	New Holland TR-87, TR-88, TR-97 & TR-98 10 Holes (.812Ø) on 13.187Ø B.C. w/11.060Ø Pilot	.229"	.875"	1 pc.	327 lbs.	12262
		-4.875"	4.00"	30.5 x 32, 800/65R32	New Holland CR & CX Series Combines 10 Holes (.937Ø) on 13.187Ø B.C. w/11.060Ø Pilot	.312"	.875"	1 pc.	415 lbs.	17885W
32"	30"	-4.875"	4.00"	900/60R32	New Holland CR & CX Series Combines 10 Holes (.937Ø) on 13.187Ø B.C. w/11.060Ø Pilot	.312"	.875"	1 pc.	415 lbs.	17988W
38"	23"	-17.5"	16.875"	650/75R38, 650/85R38, 700/65-38, 710- 70R38, 710/65- 38, 750/65-38, 800/70R38	New Holland CR & CX Series Combines 20 Holes (10 Holes .937Ø) & (5 Holes 1.594Ø) on 13.187Ø B.C. w/11.060Ø Pilot	.276"	.625"	1 pc.	556 lbs.	17998W
42"	23"	-17.5"	16.875"	650/65R42, 710/70R42, 750/60-42	New Holland CR & CX Series Combines 20 Holes (10 Holes .937Ø) & (5 Holes 1.594Ø) on 13.188Ø B.C. w/11.060Ø Pilot	.276"	.625"	1 pc.	657 lbs.	17997W

See Page I-6 for Wheel Outset/Inset Definitions.

Combine Front Drive Wheels

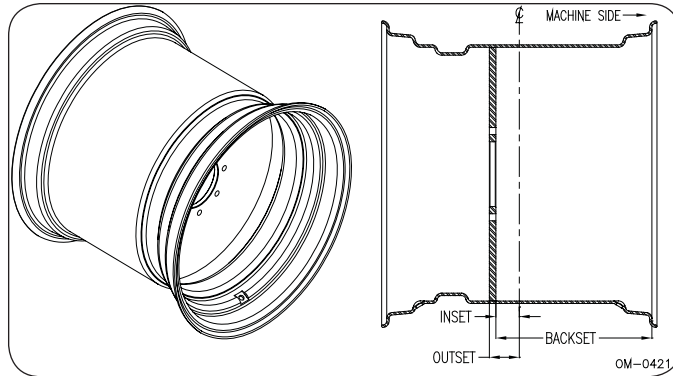


Hillside Combines

Wheel Dimensions			Tire Size(s) Normally Mounted On Wheel	Combines that these Wheels are used on and the Mounting Information	Material Thickness		Rim Type	Approx. Weight	Stock Number	
Diameter	Width	*Wheel Offset			Rim	Disc				
		Outset								Inset
32"	27"	-4.56"	3.56"	VA30.5 x 32	Case-IH 2100 Series w/Hillco Axle 20 Holes (.8430) on 13.1870 B.C. w/11.0600 Pilot	.312"	1.00"	3 pc.	502 lbs.	12772
		-4.56"	3.56"	VA30.5 x 32	Case-IH 1600 Series w/Hillco Axle 10 Holes (.8120) on 13.1870 B.C. w/11.0600 Pilot	.312"	1.00"	3 pc.	504 lbs.	12773
		-5.812"	4.812"						503 lbs.	13831
		-2.03"	1.03"	VA30.5 x 32	Case-IH 2100 Series w/Rahco Axle 20 Holes (.8430) on 13.1870 B.C. w/11.0600 Pilot	.312"	1.00"	3 pc.	502 lbs.	12825
		-2.03"	1.03"	VA30.5 x 32	Case-IH 1600 Series w/Rahco Axle 10 Holes (.8120) on 13.1870 B.C. w/11.0600 Pilot	.312"	1.00"	3 pc.	504 lbs.	12826
32"	31"	-4.50"	3.50"	VA35.5 x 32	John Deere 9000 Series w/ Rahco Axle 10 Holes (.8430) on 13.1870 B.C. w/11.0600 Pilot	.312"	1.00"	3 pc.	535 lbs.	12957
		-6.56"	5.56"	VA35.5 x 32	Case-IH 2100 Series w/Hillco Axle 20 Holes (.8430) on 13.1870 B.C. w/11.0600 Pilot	.312"	1.00"	3 pc.	534 lbs.	13000

See Page I-6 for Wheel Outset/Inset Definitions.

Combine Rear Wheels



Case-IH

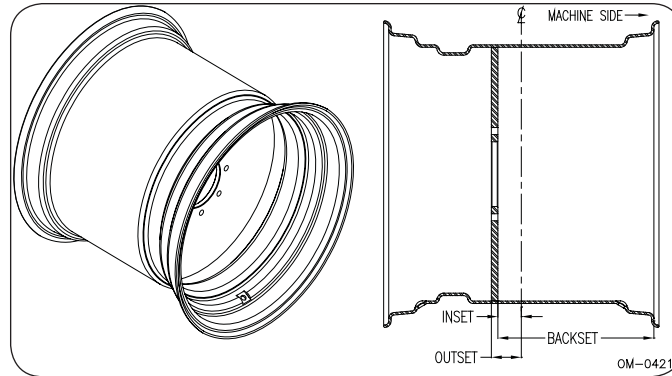
Wheel Dimensions					Tire Size(s) Normally Mounted On Wheel	Combines that these Wheels are used on and the Mounting Information	Material Thickness		Approx. Weight	Stock Number
Diameter	Width	*Wheel Offset					Rim	Disc		
		Outset	Inset	Backset						
26"	25"	-5.625"	5.00"	7.10"	28L-26	Case 5088, 6088, 7088, AFX7010, AFX8010, 5130, 5140, 6130, 6140, 7120, 7130, 7140, 7230, 7240, 8120, 8230, 8240, 9120, 9230, 9240 rear 2wd and rear assist, 10 Holes (.8430) on 8.8580 B.C. w/6.9400 Pilot	.224"	.625"	215 lbs.	17795SM

John Deere

Wheel Dimensions					Tire Size(s) Normally Mounted On Wheel	Combines that these Wheels are used on and the Mounting Information	Material Thickness		Approx. Weight	Stock Number
Diameter	Width	*Wheel Offset					Rim	Disc		
		Outset	Inset	Backset						
26"	16"	-6.87"	.062"	7.50"	18.4-26	John Deere 9000 / 9010 Series Rear, 8 Holes (.6560) on 8.0000 B.C. w/6.0100 Pilot	.187"	.625"	157 lbs.	16955Y
		-2.688"	2.063"	10.25"					146 lbs.	16956Y

See Page I-6 for Wheel Outset/Inset Definitions.

Combine Rear Wheels



John Deere (continued)

Wheel Dimensions					Tire Size(s) Normally Mounted On Wheel	Combines that these Wheels are used on and the Mounting Information	Material Thickness		Approx. Weight	Stock Number
Diameter	Width	*Wheel Offset					Rim	Disc		
		Outset	Inset	Backset						
26"	25"	-3.00"	2.375"	9.75"	28L-26	John Deere 9050 Series Rear & S550, S660, S670, S680, S690, 8 Holes (.656Ø) on 8.000Ø B.C. w/6.010Ø Pilot	.224"	.625"	216 lbs.	16957Y
		-2.875"	2.25"	15.00"		John Deere 9060 / 9070 Series Rear, 8 Holes (.656Ø) on 8.000Ø B.C. w/6.010Ø Pilot			216 lbs.	16958Y
		-4.375"	3.75"	16.50"		John Deere 9050 Series w/2-speed rear assist, 8 Holes (.843Ø) on 10.826Ø B.C. w/8.710Ø Pilot			210 lbs.	16959Y
		-.25	.375" (outset plate centered in rim)	12.375"		John Deere 9060 / 9070 Series w/2-speed rear assist, 8 Holes (.843Ø) on 10.826Ø B.C. w/8.710Ø Pilot			210 lbs.	16960Y
						John Deere S550, S660, S670, S680, S690 w/2-speed rear assist, 8 Holes (.906Ø) on 10.826Ø B.C. w/8.710Ø Pilot			213 lbs.	18621Y

New Holland

Wheel Dimensions					Tire Size(s) Normally Mounted On Wheel	Combines that these Wheels are used on and the Mounting Information	Material Thickness		Approx. Weight	Stock Number
Diameter	Width	*Wheel Offset					Rim	Disc		
		Outset	Inset	Backset						
26"	25"	-5.625"	5.00"	7.10"	28L-26	New Holland CR & CX Series rear 2wd and rear assist, 10 Holes (.843Ø) on 8.858Ø B.C. w/6.940Ø Pilot	.224"	.625"	215 lbs.	17795W

See Page I-6 for Wheel Outset/Inset Definitions.

SECTION 11: Cotton Picker Duals, Spacers & Replacement Wheels

(Click on the Section you would like to navigate to)

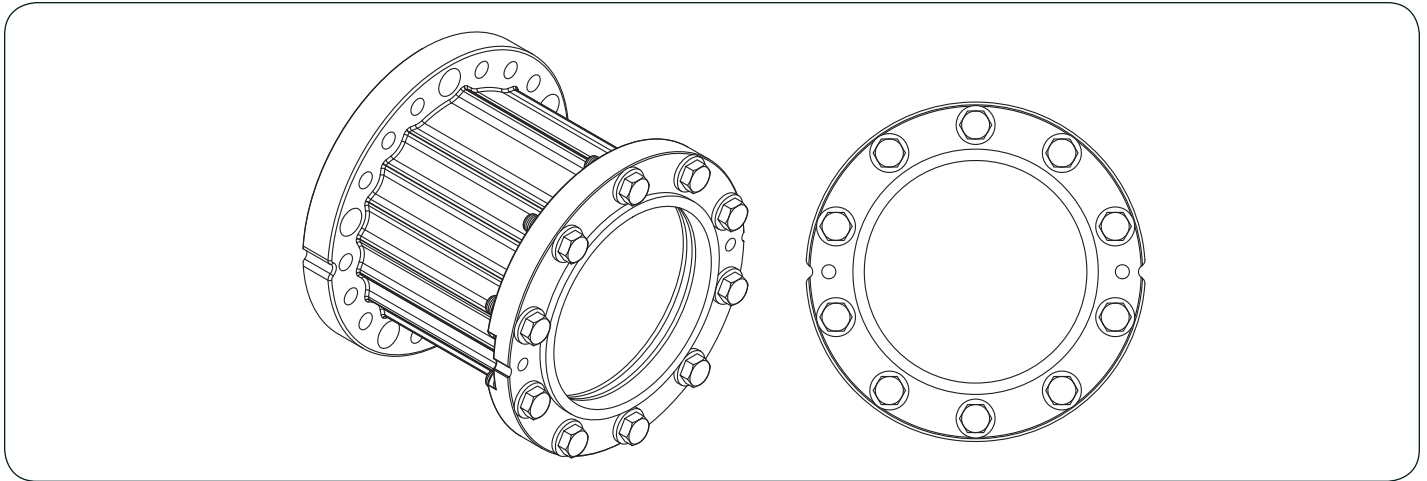
Duals Wheel Spacers for Case-IH

Dual Wheel Spacers for John Deere

Replacement & Dual Wheels for Cotton Pickers/Strippers

Dual Wheel Spacers for OE Cotton Pickers / Strippers

Used only for adding 10-Hole Dual Wheels to Cotton Pickers / Strippers



Case-IH Models 2055, 2155, 2555, CPX610

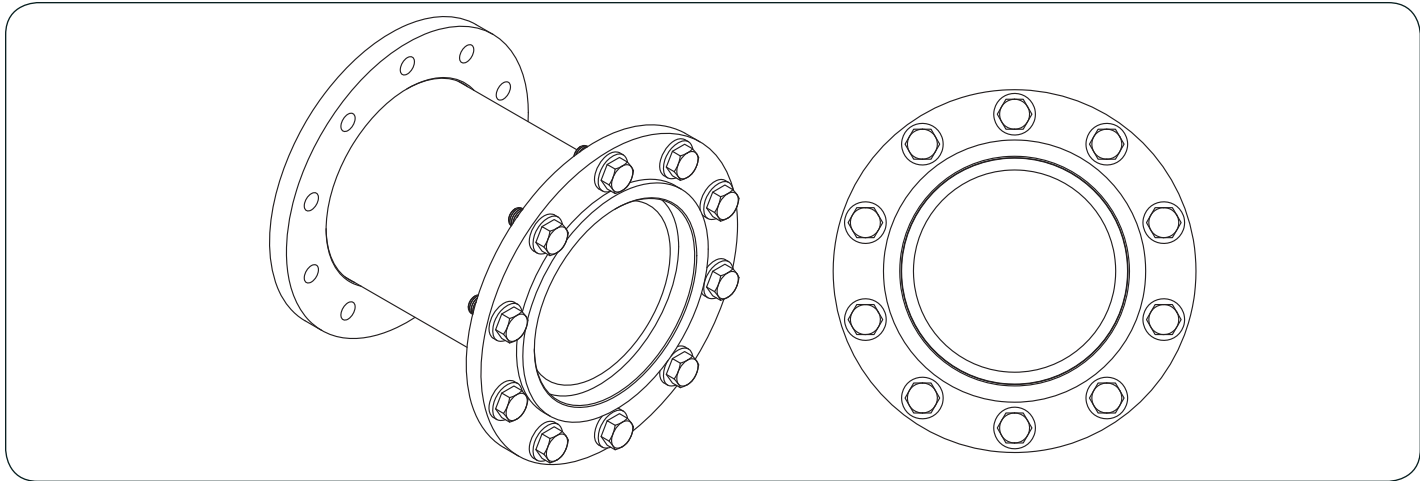
Length	Bolt Pattern		Approx. Weight	Stock Number
	Machine End	Dual Wheel End		
10"	20 Holes Eq. Sp. on 13.1870 Bolt Circle w/11.0600 Pilot 5 Holes 1.3750 Eq. Sp. 15 Holes .8430 in 5 Groups of 3	10 Holes M22x2.5P Eq. Sp. on 13.1870 Bolt Circle w/11.0200 Pilot	113 lbs.	16084B
13"			107 lbs.	12365
15"			124 lbs.	16086B
19.5"			142 lbs.	16087B
21"			138 lbs.	16088B
27"	10 Holes .8430 Eq. Sp. on 13.1870 Bolt Circle w/11.0600 Pilot		158 lbs.	16089B

ADDITIONAL INFORMATION:

- Above spacers are painted Gloss Black.
- These spacers include the appropriate hardware to bolt the dual wheel to the spacer.

Dual Wheel Spacers for OE Cotton Pickers / Strippers

Used only for adding 10-Hole Dual Wheels to Cotton Pickers / Strippers



John Deere Models 9960, 9965, 9970, 9976

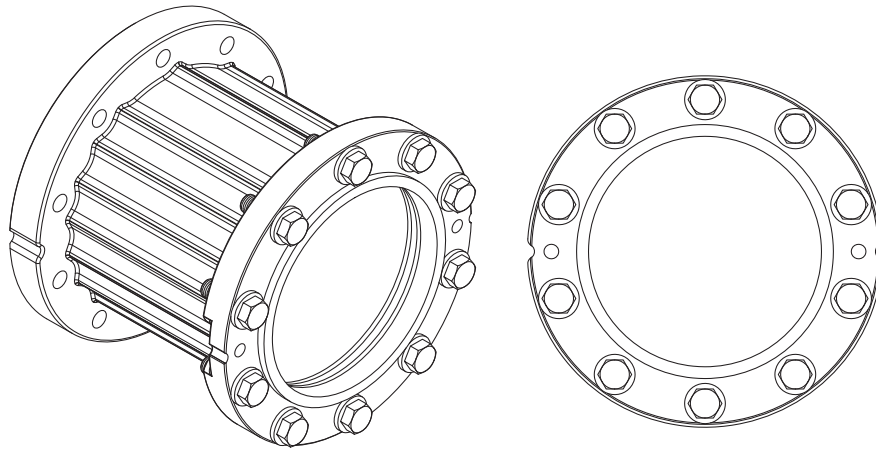
Length	Bolt Pattern		Approx. Weight	Stock Number
	Machine End	Dual Wheel End		
10"	10 Holes .843Ø Eq. Sp. on 12.000Ø Bolt Circle w/9.535Ø Pilot	10 Holes M22x2.5P Eq. Sp. on 13.187Ø Bolt Circle w/11.020Ø Pilot	95 lbs.	12118
12"			103 lbs.	12726
13"			125 lbs.	16106
15"			134 lbs.	12665
18"			127 lbs.	13020
21"			139 lbs.	13021
27"			173 lbs.	14919Y

ADDITIONAL INFORMATION:

- Above spacers are painted Yellow.
- These spacers include the appropriate hardware to bolt the dual wheel to the spacer.

Dual Wheel Spacers for OE Cotton Pickers / Strippers

Used only for adding 10-Hole Dual Wheels to Cotton Pickers / Strippers



John Deere Model 9986

Length	Bolt Pattern		Approx. Weight	Stock Number
	Machine End	Dual Wheel End		
8"	10 Holes .843Ø Eq. Sp. on 13.187Ø Bolt Circle w/11.060Ø Pilot	10 Holes M22x2.5P Eq. Sp. on 13.187Ø Bolt Circle w/11.020Ø Pilot	109 lbs.	16096Y
10"			118 lbs.	16097Y
13"			131 lbs.	16098Y
15"			140 lbs.	16099Y
19.5"			160 lbs.	16100Y
21.5"			169 lbs.	16101Y
27"			158 lbs.	16089Y

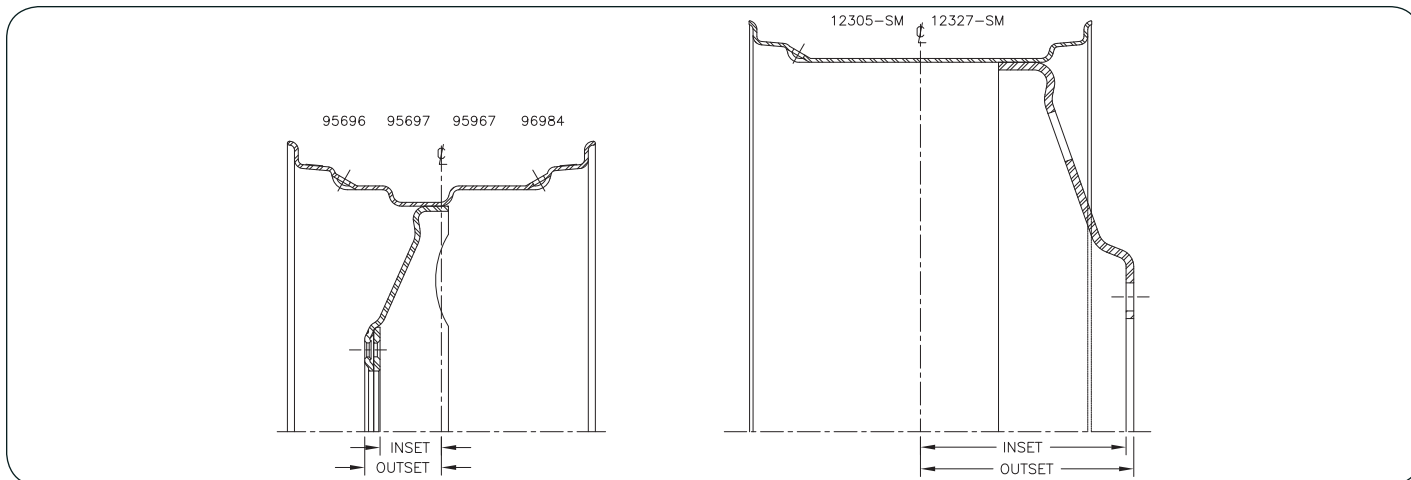
John Deere Model 7760

Length	Bolt Pattern		Approx. Weight	Stock Number
	Machine End	Dual Wheel End		
8"	10 Holes .906Ø Eq. Sp. on 13.187Ø Bolt Circle w/11.060Ø Pilot	10 Holes M22x2.5P Eq. Sp. on 13.187Ø Bolt Circle w/11.020Ø Pilot	99 lbs.	18381Y
10"			107 lbs.	18382Y
13"			119 lbs.	18383Y
15"			127 lbs.	18384Y
19.5"			145 lbs.	18385Y
21.5"			153 lbs.	18386Y

ADDITIONAL INFORMATION:

- Above spacers are painted Yellow.
- These spacers include the appropriate hardware to bolt the dual wheel to the spacer.

Replacement Wheels for Cotton Pickers / Strippers



Eight-Hole - 8" Bolt Circle - 6" Pilot - .687" Hole w/Countersink

Wheel Dimensions				Tire Size(s) Normally Mounted On Wheel	Material Thickness		Rim Type	Approx. Weight	Stock Number
Diameter	Width	*Wheel Offset			Rim	Disc			
		Outset	Inset						
24"	8"	-1.812"	1.312"	9.00x24, 9.50x24	.129"	.250"	1 pc.	62 lbs.	14655
	10"	-2.50"	2.00"	11.2x24, 11.25x24, 12.4x24	.129"	.250"	1 pc.	68 lbs.	14656
	12"	-3.50"	3.00"	13.6x24, 14.9x24	.187"	.250"	1 pc.	91 lbs.	14657
26"	14"	-3.78"	3.00"	16.9x26	.187"	.229"	1 pc.	93 lbs.	95696
	16"	-1.312"	0.562"	18.4x26	.187"	.250"	1 pc.	121 lbs.	16799W0
									16799SM
								16799Y	

Eight-Hole - 8" Bolt Circle - 6" Pilot - .843" Hole No Countersink

Wheel Dimensions				Tire Size(s) Normally Mounted On Wheel	Material Thickness		Rim Type	Approx. Weight	Stock Number
Diameter	Width	*Wheel Offset			Rim	Disc			
		Outset	Inset						
26"	16"	-4.56"	4.00"	18.4x26	.187"	.250"	1 pc.	121 lbs.	96984
									96984Y

Nine-Hole - 9.50" Bolt Circle - 7.75" Pilot - .656" Hole w/Countersink

Wheel Dimensions				Tire Size(s) Normally Mounted On Wheel	Material Thickness		Rim Type	Approx. Weight	Stock Number
Diameter	Width	*Wheel Offset			Rim	Disc			
		Outset	Inset						
26"	20"	-.438"	0"	23.1x26, 620/75R26	.224"	.438"	1 pc.	132 lbs.	95967

ADDITIONAL INFORMATION:

- 95696, 96984 & 16799W0 are painted Off-White.
- 14655, 14656, 14657, 16799Y, 96984Y & 95967 are painted Yellow.
- 16799SM is painted Silver Mist.

Dual Wheels for Dual Ready Case-IH Pickers / Strippers

Twenty-Hole - 13.187" Bolt Circle - 11.060" Pilot

20 Holes Eq. Sp. on 13.187" Bolt Circle, 15 Holes .906Ø in 5 Groups of 3, 5 Holes Eq. Sp. 1.375Ø

Wheel Dimensions				Tire Size(s) Normally Mounted On Wheel	Material Thickness		Rim Type	Approx. Weight	Stock Number
Diameter	Width	*Wheel Offset			Rim	Disc			
		Outset	Inset						
38"	16"	-10.437"	10.062"	18.4x38, 520/70R38	.187"	.375"	1 pc.	243 lbs.	12327SM
		-10.437"	9.937"		.187"	.50"	1 pc.	293 lbs.	15463SM
	18"	-11.437"	11.062"	20.8x38, 580/70R38	.187"	.375"	1 pc.	249 lbs.	12305SM
		-11.437"	10.937"		.187"	.50"	1 pc.	305 lbs.	15462SM

* See Page I-6 for Wheel Outset/Inset Definition.

ADDITIONAL INFORMATION:

- 12305SM, 12327SM, 15463SM & 15462SM are painted Silver Mist.

Notes

SECTION 12: AG Rims

(Click on the Section you would like to navigate to)

10" to 14" Diameter Ag Rims

15" to 15.5" Diameter Ag Rims

16" to 16.5" Diameter Ag Rims

17" to 18" Diameter Ag Rims

19" to 20" Diameter Ag Rims

22.5" to 24" Diameter Ag Rims

26" to 26.5" Diameter Ag Rims

28" to 30" Diameter Ag Rims

30.5" to 32" Diameter Ag Rims

34" to 36" Diameter Ag Rims

38" Diameter Ag Rims

40" to 42" Diameter Ag Rims

44" to 46" Diameter Ag Rims

48" to 52" Diameter Ag Rims

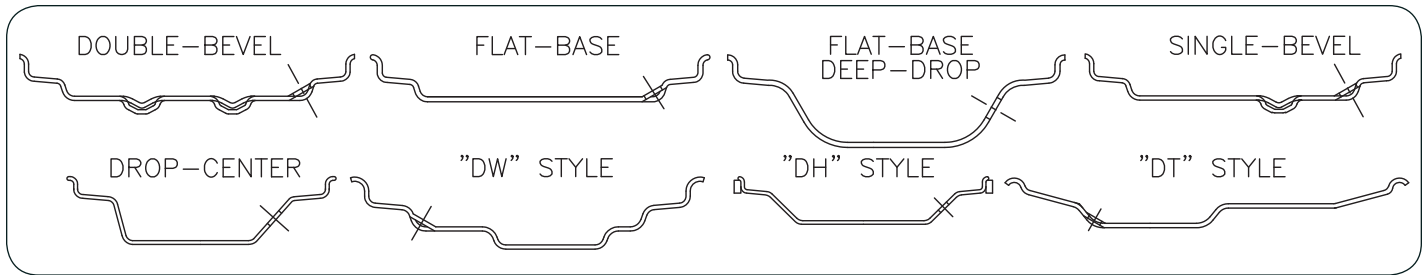
54" Diameter Ag Rims

Replacement Rims for Farmall Super "C"/H/M, Ford & Oliver Tractors

Replacement Rims for John Deere A, B & G Tractors

Miscellaneous Deep Well Rims with Drive Lugs

AG Rims



10" Diameter Rims

Rim Dimensions		Rim Design						Rim Thickness	Inside Dia. of Rim	Approx. Weight	Stock Number
Dia.	Width	Double Bevel	Deep Well	Flat Base	Drop Center	"DH"	"DT"				
10"	6"				X			.100"	8.022"	7 lbs.	RDC610**

12" Diameter Rims

Rim Dimensions		Rim Design						Rim Thickness	Inside Dia. of Rim	Approx. Weight	Stock Number
Dia.	Width	Double Bevel	Deep Well	Flat Base	Drop Center	"DH"	"DT"				
12"	4"				X			.097"	10.228"	7 lbs.	RDC412
	7"				X			.100"	10.228"	10 lbs.	RDC712**
	8.50"				X			.109"	10.228"	11 lbs.	RDC8.5012JA**
	10.50"				X			.100"	10.228"	13 lbs.	RDC10.5012JA**

14" Diameter Rims

Rim Dimensions		Rim Design						Rim Thickness	Inside Dia. of Rim	Approx. Weight	Stock Number
Dia.	Width	Double Bevel	Deep Well	Flat Base	Drop Center	"DH"	"DT"				
14"	6"				X			.129"	12.00"	13 lbs.	RDC614

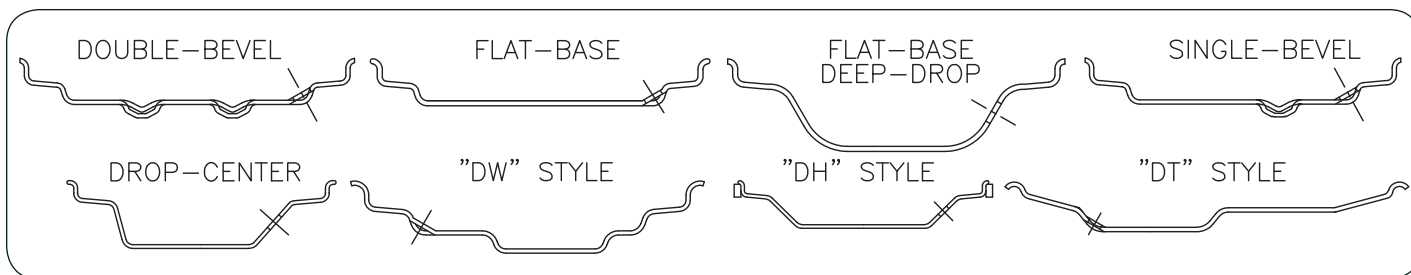
* These 16.5" diameter rims have valve stem protectors installed.

** Bead Humps.

ADDITIONAL INFORMATION:

- All rims are unpainted.
- If Silver Mist rims are desired add SM to the Stock Number.
- If Yellow rims are desired add Y to the Stock Number.

AG Rims



15" Diameter Rims

Rim Dimensions		Rim Design						Rim Thickness	Inside Dia. of Rim	Approx. Weight	Stock Number
Dia.	Width	Double Bevel	Deep Well	Flat Base	Drop Center	"DH"	"DT"				
15"	3"				X			.100"	13.228"	8 lbs.	RDC315
	6"				X			.129"	12.479"	16 lbs.	RDC615
	7"				X			.108"	12.479"	13 lbs.	RDC715JA
	8"				X			.156"	12.479"	22 lbs.	RDC815
	10"				X			.156"	12.479"	26 lbs.	RDC1015
	13"				X			.156"	12.479"	28 lbs.	RDC1315

15.5" Diameter Rims

Rim Dimensions		Rim Design						Rim Thickness	Inside Dia. of Rim	Approx. Weight	Stock Number
Dia.	Width	Double Bevel	Deep Well	Flat Base	Drop Center	"DH"	"DT"				
15.5"	13"						X	.185"	12.209"	38 lbs.	RDT13.0015.5

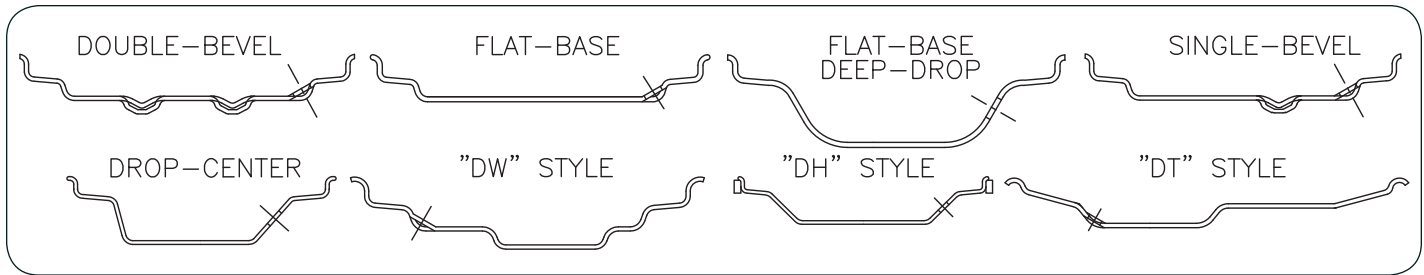
* These 16.5" diameter rims have valve stem protectors installed.

** Bead Humps.

ADDITIONAL INFORMATION:

- All rims are unpainted.
If Silver Mist rims are desired add SM to the Stock Number.
If Yellow rims are desired add Y to the Stock Number.

AG Rims



16" Diameter Rims

Rim Dimensions		Rim Design						Rim Thickness	Inside Dia. of Rim	Approx. Weight	Stock Number
Dia.	Width	Double Bevel	Deep Well	Flat Base	Drop Center	"DH"	"DT"				
16"	4"				X			.129"	13.479"	12 lbs.	RDC416
	4.25"				X			.156"	13.479"	16 lbs.	RDC4.2516
	4.5"				X			.125"	13.479"	17 lbs.	RDC4.516
	5.5"				X			.156"	13.479"	19 lbs.	RDC5.516
	6"				X			.188"	13.479"	23 lbs.	RDC616
	8"				X			.129"	13.479"	25 lbs.	RDC816
	10"				X			.187"	13.479"	33 lbs.	RW1016
	12"				X			.187"	13.479"	37 lbs.	RW1216

16.1" Diameter Rims

Rim Dimensions		Rim Design						Rim Thickness	Inside Dia. of Rim	Approx. Weight	Stock Number
Dia.	Width	Double Bevel	Deep Well	Flat Base	Drop Center	"DH"	"DT"				
16.1"	11"				X			.187"	13.479"	35 lbs.	RDC1116.1
	14"				X			.187"	13.479"	43 lbs.	RDC1416.1
	16"				X			.187"	13.479"	45 lbs.	RDC1616.1
	18"				X			.187"	13.479"	50 lbs.	RDC1816.1

16.5" Diameter Rims

Rim Dimensions		Rim Design						Rim Thickness	Inside Dia. of Rim	Approx. Weight	Stock Number	
Dia.	Width	Double Bevel	Deep Well	Flat Base	Drop Center	"DH"	"DT"					
16.5"	6.75"				X			.224"	13.46"	32 lbs.	RDC6.7516.5**	
	8.25"			X				.171"	13.479"	28 lbs.	RW8.2516.5	
	9.75"				X				.187"	14.081"	32 lbs.	RDC9.7516.5-H
					X				.171"	13.479"	31 lbs.	RW9.7516.5*
	12"				X				.187"	13.472"	37 lbs.	RDC12.0016.5

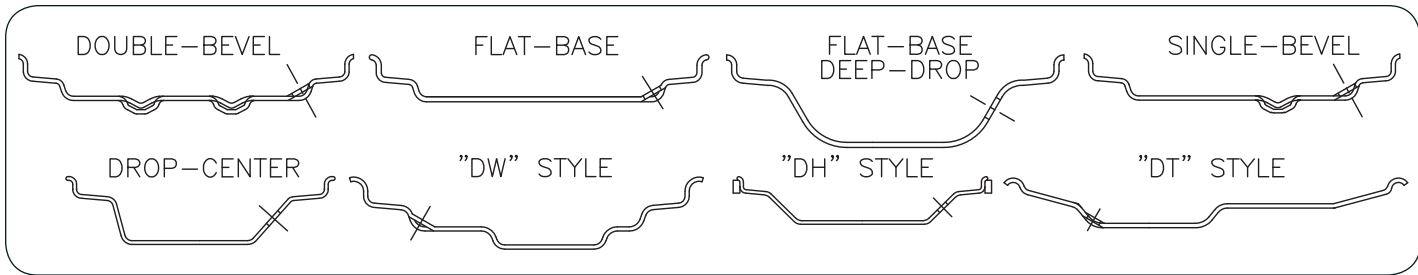
* These 16.5" diameter rims have valve stem protectors installed.

** Bead Humps.

ADDITIONAL INFORMATION:

- All rims are unpainted.
- If Silver Mist rims are desired add SM to the Stock Number.
- If Yellow rims are desired add Y to the Stock Number.

AG Rims



17" Diameter Rims

Rim Dimensions		Rim Design						Rim Thickness	Inside Dia. of Rim	Approx. Weight	Stock Number
Dia.	Width	Double Bevel	Deep Well	Flat Base	Drop Center	"DH"	"DT"				
17"	13"						X	.197"	14.290"	46 lbs.	RDT13.0017
	16"						X	.197"	14.290"	54 lbs.	RDT16.0017

17.5" Diameter Rims

Rim Dimensions		Rim Design						Rim Thickness	Inside Dia. of Rim	Approx. Weight	Stock Number
Dia.	Width	Double Bevel	Deep Well	Flat Base	Drop Center	"DH"	"DT"				
17.5"	10.50"				X			.224"	15.125"	43 lbs.	RDC10.5017.5
	11.75"				X			.224"	15.125"	48 lbs.	RDC11.7517.5

18" Diameter Rims

Rim Dimensions		Rim Design						Rim Thickness	Inside Dia. of Rim	Approx. Weight	Stock Number
Dia.	Width	Double Bevel	Deep Well	Flat Base	Drop Center	"DH"	"DT"				
18"	3"				X			.109"	16.448"	9 lbs.	RDC318
	5.50"				X			.156"	15.698"	23 lbs.	RDC5.5018
	7.50"				X			.224"	15.280"	40 lbs.	RDC7.5018
	8"				X			.224"	15.280"	41 lbs.	RDC818
	8.50"				X			.224"	15.280"	42 lbs.	RDC8.5018
	9"				X			.224"	15.280"	44 lbs.	RDC918

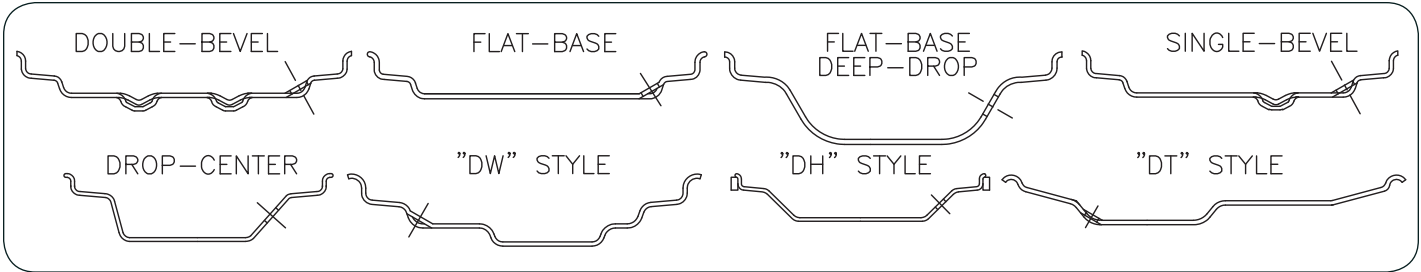
* These 16.5" diameter rims have valve stem protectors installed.

** Bead Humps.

ADDITIONAL INFORMATION:

- All rims are unpainted.
If Silver Mist rims are desired add SM to the Stock Number.
If Yellow rims are desired add Y to the Stock Number.

AG Rims



19" Diameter Rims

Rim Dimensions		Rim Design						Rim Thickness	Inside Dia. of Rim	Approx. Weight	Stock Number
Dia.	Width	Double Bevel	Deep Well	Flat Base	Drop Center	"DH"	"DT"				
19"	3"				X			.100"	17.448"	9 lbs.	RDC319
	4.5"			X				.100"	17.448"	13 lbs.	RDC4.5019

19.5" Diameter Rims

Rim Dimensions		Rim Design						Rim Thickness	Inside Dia. of Rim	Approx. Weight	Stock Number
Dia.	Width	Double Bevel	Deep Well	Flat Base	Drop Center	"DH"	"DT"				
19.5"	6.75						X	.226"	16.654"	37 lbs.	RDT6.7519.5
	8.25"						X	.226"	17.084"	43 lbs.	RDT8.2519.5
	11.75"						X	.276"	16.50"	67 lbs.	RDT11.7519.5
	14"						X	.276"	16.50"	77 lbs.	RDT14.0019.5
	15"						X	.276"	16.50"	82 lbs.	RDT15.0019.5

20" Diameter Rims

Rim Dimensions		Rim Design						Rim Thickness	Inside Dia. of Rim	Approx. Weight	Stock Number
Dia.	Width	Double Bevel	Deep Well	Flat Base	Drop Center	"DH"	"DT"				
20"	5.50"				X			.156"	17.698"	25 lbs.	RDC5.520
	8"			X				.187"	17.698"	36 lbs.	RW820
	9"			X				.187"	17.698"	40 lbs.	RW920
	10"			X				.187"	17.698"	43 lbs.	RW1020
	11"			X				.187"	17.698"	46 lbs.	RW1120
	14"			X				.165"	17.698"	49 lbs.	RW1420
	16"			X				.187"	17.698"	61 lbs.	RW1620

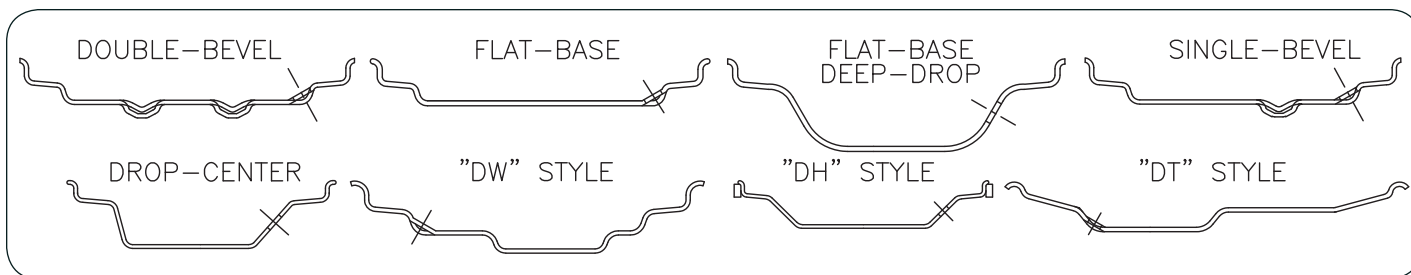
* These 16.5" diameter rims have valve stem protectors installed.

** Bead Humps.

ADDITIONAL INFORMATION:

- All rims are unpainted.
- If Silver Mist rims are desired add SM to the Stock Number.
- If Yellow rims are desired add Y to the Stock Number.

AG Rims



22.5" Diameter Rims

Rim Dimensions		Rim Design						Rim Thickness	Inside Dia. of Rim	Approx. Weight	Stock Number
Dia.	Width	Double Bevel	Deep Well	Flat Base	Drop Center	"DH"	"DT"				
22.5"	7.50"						X	.236"	19.690"	50 lbs.	RDT7.5022.5
	8.25"						X	.187"	20.084"	40 lbs.	RDT8.2522.5
	11.75"						X	.205"	19.515"	76 lbs.	RDT11.7522.5
	12.25"						X	.276"	19.500"	82 lbs.	RDT12.2522.5
	13"						X	.276"	19.500"	86 lbs.	RDT13.0022.5
	16"						X	.276"	19.500"	103 lbs.	RDT16.0022.5
	20"						X	.276"	19.500"	125 lbs.	RDT20.0022.5
	24"						X	.276"	19.500"	141 lbs.	RDT24.0022.5*

24" Diameter Rims

Rim Dimensions		Rim Design						Rim Thickness	Inside Dia. of Rim	Approx. Weight	Stock Number	
Dia.	Width	Double Bevel	Deep Well	Flat Base	Drop Center	"DH"	"DT"					
24"	7"			X				.130"	22.084"	28 lbs.	RW724	
	8"			X				.129"	22.084"	30 lbs.	RW824	
	9"			X				.130"	22.084"	34 lbs.	RW924	
	10"				X				.129"	22.084"	36 lbs.	RW1024
					X				.187"	22.084"	51 lbs.	RW1024-H
	12"				X				.187"	22.084"	59 lbs.	RW1224
					X				.224"	22.084"	71 lbs.	RW1224-H
	15"				X				.187"	22.084"	66 lbs.	RW1524
16"			X					.224"	22.084"	92 lbs.	RDW1624	
18"			X					.224"	22.084"	101 lbs.	RDW1824-H	

* These 16.5" diameter rims have valve stem protectors installed.

** Bead Humps.

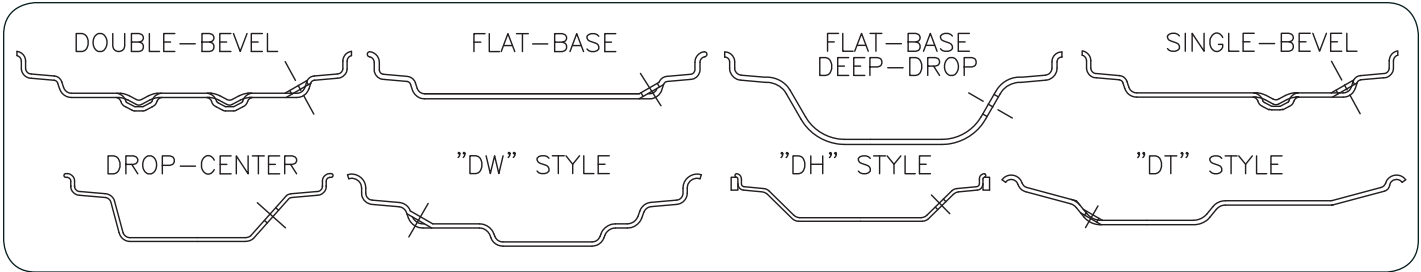
ADDITIONAL INFORMATION:

- All rims are unpainted.

If Silver Mist rims are desired add SM to the Stock Number.

If Yellow rims are desired add Y to the Stock Number.

AG Rims



26" Diameter Rims

Rim Dimensions		Rim Design						Rim Thickness	Inside Dia. of Rim	Approx. Weight	Stock Number	
Dia.	Width	Double Bevel	Deep Well	Flat Base	Drop Center	"DH"	"DT"					
26"	12"			X				.171"	24.084"	50 lbs.	RW1226	
	14"		X					.187"	22.084"	59 lbs.	RDW1426	
	16"		X					.187"	22.084"	84 lbs.	RDW1626	
	18"		X					.187"	22.084"	91 lbs.	RDW1826	
	20"			X					.187"	22.084"	100 lbs.	RDW2026
				X					.224"	22.084"	119 lbs.	RDW2026-H
	25"		X					.224"	22.084"	144 lbs.	RDW2526-H	
	26"		X					.224"	22.084"	149 lbs.	RDW2626-H	
	30"		X					.224"	22.084"	161 lbs.	RDW3026-H	
36"		X					.224"	22.084"	193 lbs.	RDW3626-H		

26.5" Diameter Rims

Rim Dimensions		Rim Design						Rim Thickness	Inside Dia. of Rim	Approx. Weight	Stock Number
Dia.	Width	Double Bevel	Deep Well	Flat Base	Drop Center	"DH"	"DT"				
26.5"	13"						X	.276"	23.540"	77 lbs.	RDT13.0026.5*
	16"						X	.224"	23.620"	94 lbs.	RDT16.0026.5*
	20"						X	.276"	23.540"	142 lbs.	RDT20.0026.5*
	24"						X	.276"	23.540"	162 lbs.	RDT24.0026.5*
	28"						X	.276"	23.540"	156 lbs.	RDT28.0026.5*

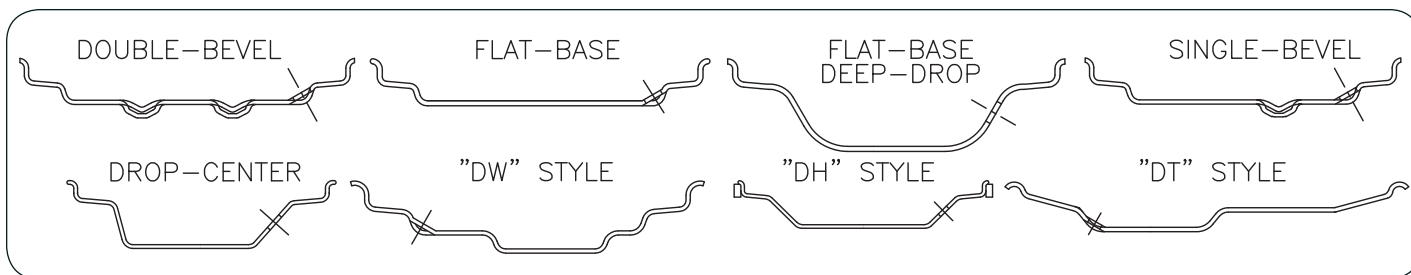
* These 16.5" diameter rims have valve stem protectors installed.

** Bead Humps.

ADDITIONAL INFORMATION:

- All rims are unpainted.
- If Silver Mist rims are desired add SM to the Stock Number.
- If Yellow rims are desired add Y to the Stock Number.

AG Rims



28" Diameter Rims

Rim Dimensions		Rim Design						Rim Thickness	Inside Dia. of Rim	Approx. Weight	Stock Number	
Dia.	Width	Double Bevel	Deep Well	Flat Base	Drop Center	"DH"	"DT"					
28"	9"			X				.130"	26.084"	34 lbs.	RW928	
	10"			X				.187"	26.084"	60 lbs.	RW1028-H	
	11"			X				.156"	26.084"	52 lbs.	RW1128	
	12"				X				.171"	26.084"	64 lbs.	RW1228
			X		X				.224"	26.084"	82 lbs.	RW1228-H
									.171"	26.084"	65 lbs.	RW2B1228
	13"				X				.171"	26.084"	68 lbs.	RW1328
	15"				X				.187"	26.084"	82 lbs.	RW1528
		X						.187"	26.084"	72 lbs.	RW2B1528	
18"			X					.224"	25.139"	115 lbs.	RMW1828-H	

30" Diameter Rims

Rim Dimensions		Rim Design						Rim Thickness	Inside Dia. of Rim	Approx. Weight	Stock Number	
Dia.	Width	Double Bevel	Deep Well	Flat Base	Drop Center	"DH"	"DT"					
30"	12"		X					.185"	26.084"	64 lbs.	RDW1230	
	13"			X				.187"	28.084"	79 lbs.	RW1330	
			X						.187"	26.084"	83 lbs.	RDWW1330
	14"		X					.187"	26.084"	89 lbs.	RDW1430	
	15"				X				.187"	28.084"	89 lbs.	RW1530
			X		X				.224"	26.084"	110 lbs.	RDWW1530
									.187"	26.084"	92 lbs.	RDWW2B1530
	16"			X					.187"	26.084"	98 lbs.	RDW1630
					X				.224"	26.084"	118 lbs.	RDW1630-H
	20"			X					.224"	26.084"	142 lbs.	RDW2030
23"			X					.224"	26.084"	155 lbs.	RDW2330	
30"			X					.224"	26.084"	196 lbs.	RDW3030	

* These 16.5" diameter rims have valve stem protectors installed.

** Bead Humps.

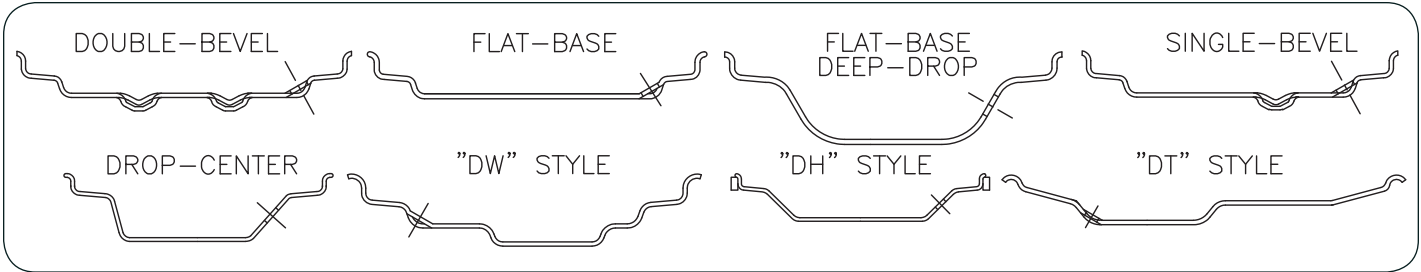
ADDITIONAL INFORMATION:

- All rims are unpainted.

If Silver Mist rims are desired add SM to the Stock Number.

If Yellow rims are desired add Y to the Stock Number.

AG Rims



30.5" Diameter Rims

Rim Dimensions		Rim Design						Rim Thickness	Inside Dia. of Rim	Approx. Weight	Stock Number
Dia.	Width	Double Bevel	Deep Well	Flat Base	Drop Center	"DH"	"DT"				
30.5"	20"						X	.276"	27.059"	163 lbs.	RDT20.0030.5***
	24"						X	.276"	27.059"	186 lbs.	RDT24.0030.5***
	28"						X	.276"	27.480"	222 lbs.	RDT28.0030.5***

32" Diameter Rims

Rim Dimensions		Rim Design						Rim Thickness	Inside Dia. of Rim	Approx. Weight	Stock Number	
Dia.	Width	Double Bevel	Deep Well	Flat Base	Drop Center	"DH"	"DT"					
32"	8"			X				.187"	30.084"	58 lbs.	RW832	
	10"			X				.153"	30.084"	57 lbs.	RW1032	
	21"			X				X	.224"	26.084"	244 lbs.	RDH2132*
				X					.276"	28.084"	156 lbs.	RDW2132
	27"						X		.276"	26.084"	283 lbs.	RDH2732*
							X					.276"
	30"			X					.276"	28.084"	260 lbs.	RDW3032-H
	31"						X		.276"	26.084"	311 lbs.	RDH3132*
							X					.276"
	36"						X		.276"	26.084"	348 lbs.	RDH3632*
							X					.312"
	44"						X		.276"	26.084"	406 lbs.	RDH4432*

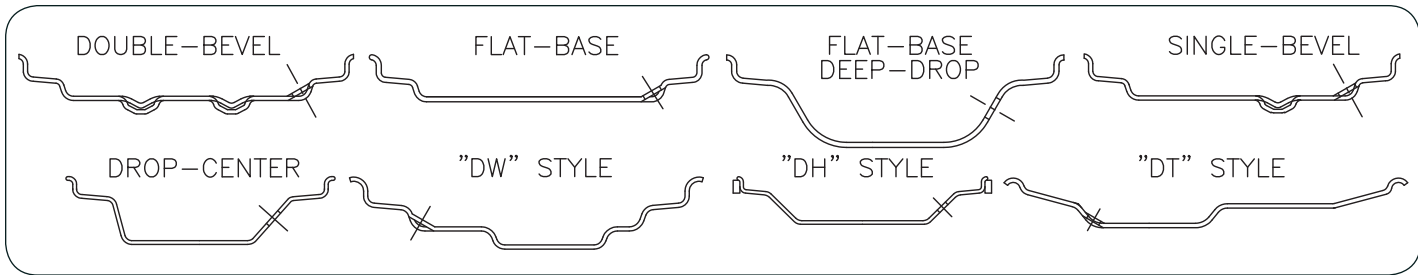
* These 16.5" diameter rims have valve stem protectors installed.

** Bead Humps.

ADDITIONAL INFORMATION:

- All rims are unpainted.
- If Silver Mist rims are desired add SM to the Stock Number.
- If Yellow rims are desired add Y to the Stock Number.

AG Rims



34" Diameter Rims

Rim Dimensions		Rim Design						Rim Thickness	Inside Dia. of Rim	Approx. Weight	Stock Number	
Dia.	Width	Double Bevel	Deep Well	Flat Base	Drop Center	"DH"	"DT"					
34"	8"			X				.187"	32.084"	63 lbs.	RW834	
	10"			X				.187"	32.084"	74 lbs.	RW1034	
	13"			X				.187"	32.084"	90 lbs.	RW1334	
	15"			X				.187"	32.084"	101 lbs.	RW1534	
	16"			X					.187"	30.084"	112 lbs.	RDW1634
					X				.224"	32.084"	128 lbs.	RW1634-H
	18"	X						.187"	32.084"	105 lbs.	RW2B1634-LD**	
	20"			X					.276"	30.567"	195 lbs.	RMW2034-H
		X							.187"	32.084"	131 lbs.	SEE 11831 Page 4-10
	23"			X					.276"	30.567"	221 lbs.	RMW2334-H
28"			X					.276"	30.567"	264 lbs.	RMW2834-H	

36" Diameter Rims

Rim Dimensions		Rim Design						Rim Thickness	Inside Dia. of Rim	Approx. Weight	Stock Number
Dia.	Width	Double Bevel	Deep Well	Flat Base	Drop Center	"DH"	"DT"				
36"	8"			X				.185"	34.084"	66 lbs.	RW836
	9"			X				.130"	34.084"	44 lbs.	RW936
	10"			X				.154"	34.084"	65 lbs.	RW1036
	11"			X				.153"	34.084"	71 lbs.	RW1136
	12"	X						.165"	34.084"	78 lbs.	RW2B1236-LD**

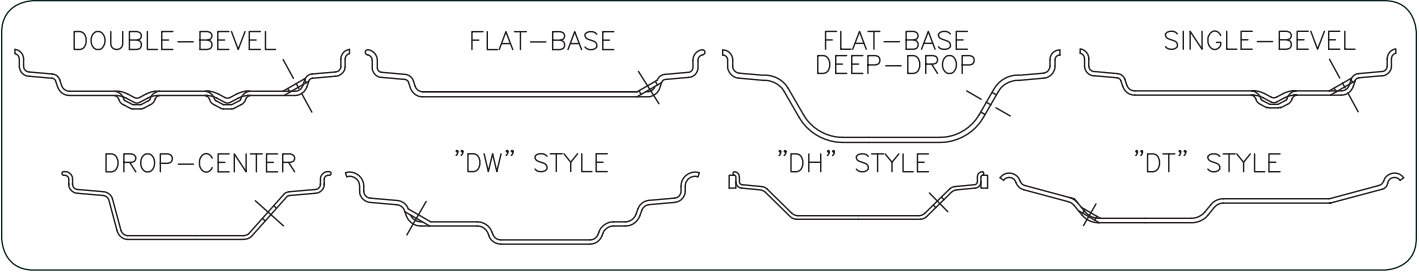
* These 16.5" diameter rims have valve stem protectors installed.

** Bead Humps.

ADDITIONAL INFORMATION:

- All rims are unpainted.
If Silver Mist rims are desired add SM to the Stock Number.
If Yellow rims are desired add Y to the Stock Number.

AG Rims



38" Diameter Rims

Rim Dimensions		Rim Design						Rim Thickness	Inside Dia. of Rim	Approx. Weight	Stock Number	
Dia.	Width	Double Bevel	Deep Well	Flat Base	Drop Center	"DH"	"DT"					
38"	8"			X				.187"	36.084"	70 lbs.	RW838-H	
	10"			X				.187"	36.084"	83 lbs.	RW1038-H	
				X				.156"	34.084"	71 lbs.	RDW1038 (Also see pages 12-8 & 12-9)	
			Single-Bevel Less Drivers						.129"	36.084"	57 lbs.	RW1B1038-LD
		X						.129"	36.084"	59 lbs.	RW2B1038-LD**	
	11"				X				.156"	36.084"	74 lbs.	RW1138
				X					.171"	34.084"	86 lbs.	RDW1138 (Also see pages 12-8 & 12-9)
	12"			X					.171"	34.084"	92 lbs.	RDW1238 (Also see pages 12-8 & 12-9)
					X				.187"	36.084"	95 lbs.	RW1238-H
		X							.187"	36.084"	86 lbs.	RW2B1238-LD**
	14"				X				.187"	36.084"	90 lbs.	RW1438
				X					.187"	34.084"	115 lbs.	RDW1438 (Also see pages 12-8 & 12-9)
		X							.187"	36.084"	109 lbs.	RW2B1438-LD**
	16"				X				.187"	36.084"	120 lbs.	RW1638
					X				.224"	36.084"	143 lbs.	RW1638-H
		X							.187"	36.084"	114 lbs.	RW2B1638-LD**
		X							.224"	36.084"	137 lbs.	RW2B1638-H-LD**
	18"				X				.187"	36.084"	132 lbs.	RW1838
					X				.224"	36.084"	161 lbs.	RW1838-H
		X							.187"	36.084"	126 lbs.	RW2B1838-LD**
		X							.224"	36.084"	160 lbs.	RW2B1838-H-LD**
			Flat-Base Deep-Drop						.276"	32.084"	198 lbs.	RW1838-34-HH
	20"			X					.276"	34.567"	219 lbs.	RMW2038-H
	23"			X					.276"	34.567"	246 lbs.	RDW2338-H
	25"			X					.276"	34.567"	263 lbs.	RDW2538-H
	27"			X					.276"	34.567"	284 lbs.	RMW2738-H
	30"			X					.276"	34.084"	307 lbs.	RMW3038-H

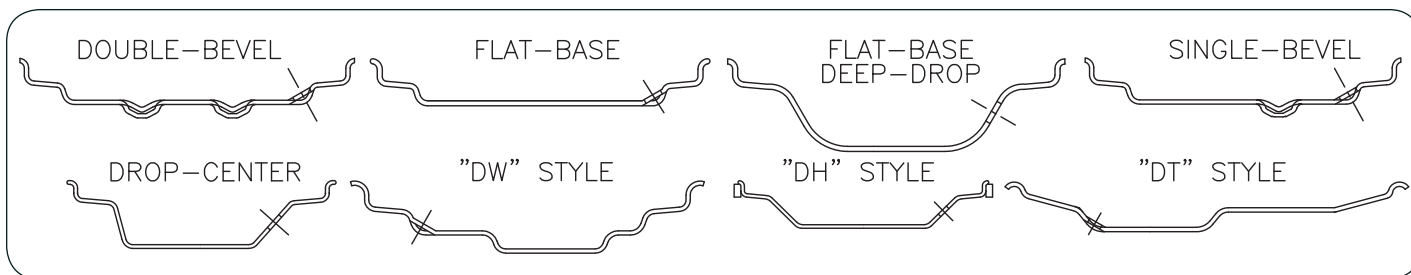
* These 16.5" diameter rims have valve stem protectors installed.

** Bead Humps.

ADDITIONAL INFORMATION:

- All rims are unpainted.
- If Silver Mist rims are desired add SM to the Stock Number.
- If Yellow rims are desired add Y to the Stock Number.

AG Rims



40" Diameter Rims

Rim Dimensions		Rim Design						Rim Thickness	Inside Dia. of Rim	Approx. Weight	Stock Number
Dia.	Width	Double Bevel	Deep Well	Flat Base	Drop Center	"DH"	"DT"				
40"	8"			X				.204"	38.084"	79 lbs.	RW840-H

42" Diameter Rims

Rim Dimensions		Rim Design						Rim Thickness	Inside Dia. of Rim	Approx. Weight	Stock Number		
Dia.	Width	Double Bevel	Deep Well	Flat Base	Drop Center	"DH"	"DT"						
42"	8"			X				.224"	40.084"	95 lbs.	RW842-H		
	10"			X				.224"	40.084"	110 lbs.	RW1042-H		
	14"	X			X				.224"	40.084"	156 lbs.	RW1442-H	
									.224"	40.084"	138 lbs.	See 11851 Page 4-3	
	16"				X				.224"	40.084"	159 lbs.	RW1642-H	
					X				.312"	40.084"	221 lbs.	RW1642-HH	
		X							.224"	40.084"	150 lbs.	RW2B1642-H-LD**	
			Flat-Base Deep-Drop						.224"	36.084"	165 lbs.	RW1642-38-H	
	18"				X				.224"	40.084"	175 lbs.	RW1842-H	
		X							.224"	40.084"	172 lbs.	RW2B1842-H-LD**	
				Flat-Base Deep-Drop						.224"	36.084"	179 lbs.	RW1842-38-H
				Flat-Base Deep-Drop						.276"	36.084"	221 lbs.	RW1842-38-HH
	20"			X					.276"	38.567"	223 lbs.	RDW2042-H	
	23"			X					.276"	33.084"	275 lbs.	RDW2342-H	
24"	Flat-Base Deep-Drop						.276"	36.084"	275 lbs.	RDW2442-38-HH			
25"			X					.276"	38.084"	290 lbs.	RDW2542-H		
28"			X					.276"	38.084"	323 lbs.	RMW2842-H		

* These 16.5" diameter rims have valve stem protectors installed.

** Bead Humps.

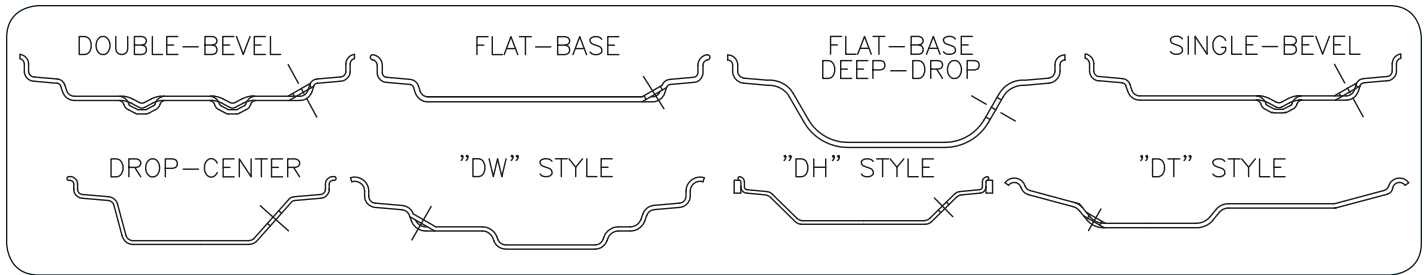
ADDITIONAL INFORMATION:

- All rims are unpainted.

If Silver Mist rims are desired add SM to the Stock Number.

If Yellow rims are desired add Y to the Stock Number.

AG Rims



44" Diameter Rims

Rim Dimensions		Rim Design						Rim Thickness	Inside Dia. of Rim	Approx. Weight	Stock Number
Dia.	Width	Double Bevel	Deep Well	Flat Base	Drop Center	"DH"	"DT"				
44"	8"			X				.204"	42.084"	87 lbs.	RW844
	10"			X				.204"	42.084"	103 lbs.	RW1044-H

46" Diameter Rims

Rim Dimensions		Rim Design						Rim Thickness	Inside Dia. of Rim	Approx. Weight	Stock Number	
Dia.	Width	Double Bevel	Deep Well	Flat Base	Drop Center	"DH"	"DT"					
46"	10"			X				.224"	44.084"	121 lbs.	RW1046-H	
				X				.312"	44.084"	169 lbs.	RW1046-HH	
				X				.312"	44.084"	218 lbs.	16481*	
			X					.224"	42.084"	127 lbs.	RDW1046-H	
	12"				X				.224"	44.084"	130 lbs.	RW1246-H
					X				.312"	44.084"	194 lbs.	RW1246-HH
					X				.312"	44.084"	242 lbs.	16482*
	13"				X				.229"	44.084"	151 lbs.	RW1346-H
			X						.224"	42.084"	153 lbs.	RDW1346-H
	16"				X				.224"	44.084"	174 lbs.	RW1646-H
		Flat-Base Deep-Drop								.276"	40.084"	223 lbs.
	20"			X					.276"	42.084"	266 lbs.	RDW2046-H
	25"			X					.276"	42.084"	324 lbs.	RMW2546-H
	30"			X					.276"	42.084"	383 lbs.	RMW3046-H
38"			X					.276"	42.084"	452 lbs.	RW3846LSW	

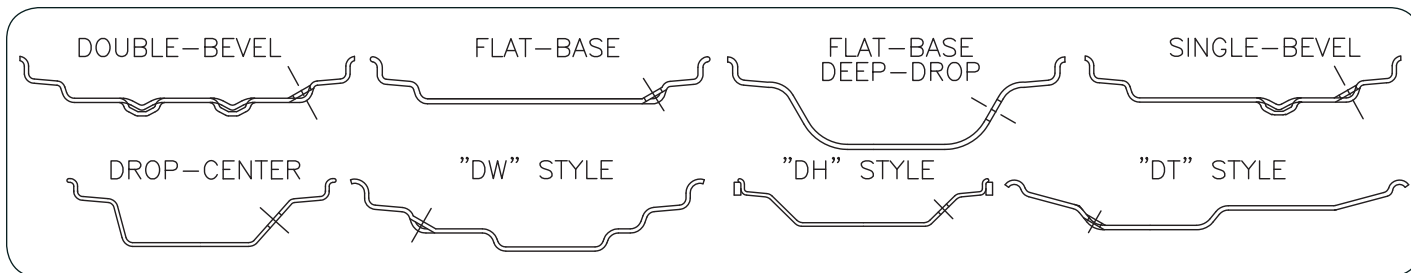
* These 16.5" diameter rims have valve stem protectors installed.

** Bead Humps.

ADDITIONAL INFORMATION:

- All rims are unpainted.
- If Silver Mist rims are desired add SM to the Stock Number.
- If Yellow rims are desired add Y to the Stock Number.

AG Rims



48" Diameter Rims

Rim Dimensions		Rim Design						Rim Thickness	Inside Dia. of Rim	Approx. Weight	Stock Number
Dia.	Width	Double Bevel	Deep Well	Flat Base	Drop Center	"DH"	"DT"				
48"	8"			X				.204"	46.084"	95 lbs.	RW848
				X				.276"	46.084"	133 lbs.	RW848-H

50" Diameter Rims

Rim Dimensions		Rim Design						Rim Thickness	Inside Dia. of Rim	Approx. Weight	Stock Number
Dia.	Width	Double Bevel	Deep Well	Flat Base	Drop Center	"DH"	"DT"				
50"	8"			X				.276"	48.084"	136 lbs.	RW850-HH
	10"		X					.224"	46.084"	137 lbs.	RDW1050-H
	12"		X					.224"	46.084"	157 lbs.	RDW1250-H
	15"				X				.312"	48.084"	249 lbs.
			X					.224"	46.084"	185 lbs.	RDW1550-H

52" Diameter Rims

Rim Dimensions		Rim Design						Rim Thickness	Inside Dia. of Rim	Approx. Weight	Stock Number
Dia.	Width	Double Bevel	Deep Well	Flat Base	Drop Center	"DH"	"DT"				
52"	10"			X				.204"	50.084"	123 lbs.	RW1052-H

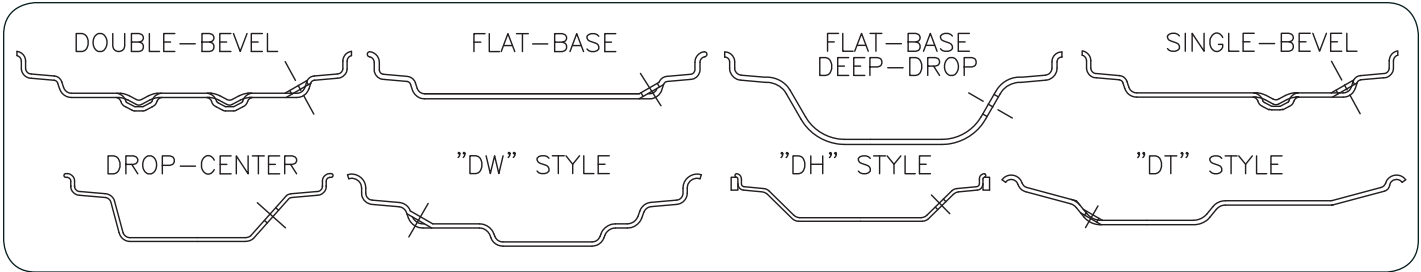
* These 16.5" diameter rims have valve stem protectors installed.

** Bead Humps.

ADDITIONAL INFORMATION:

- All rims are unpainted.
If Silver Mist rims are desired add SM to the Stock Number.
If Yellow rims are desired add Y to the Stock Number.

AG Rims



54" Diameter Rims

Rim Dimensions		Rim Design						Rim Thickness	Inside Dia. of Rim	Approx. Weight	Stock Number
Dia.	Width	Double Bevel	Deep Well	Flat Base	Drop Center	"DH"	"DT"				
54"	8"			X				.276"	52.084"	146 lbs.	RW854-H
	10"			X				.276"	52.084"	173 lbs.	RW1054-H
	12"			X				.276"	52.084"	201 lbs.	RW1254-H

* These 16.5" diameter rims have valve stem protectors installed.

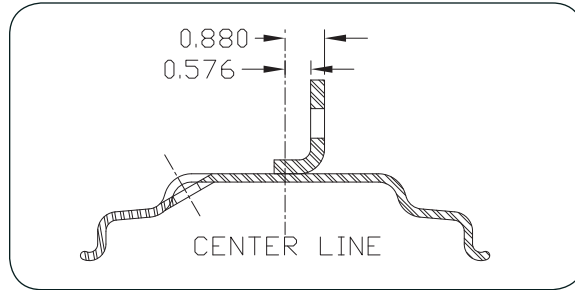
** Bead Humps.

ADDITIONAL INFORMATION:

- All rims are unpainted.
 - If Silver Mist rims are desired add SM to the Stock Number.
 - If Yellow rims are desired add Y to the Stock Number.

Replacement Rims

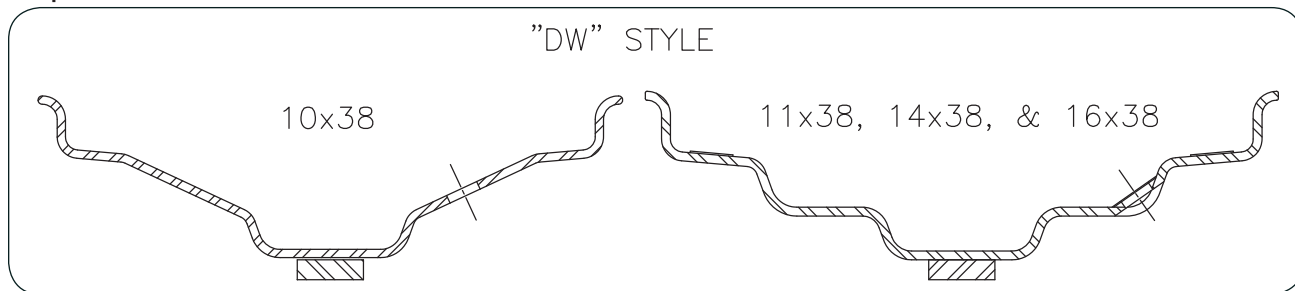
36" Diameter Replacement Rim for Farmall Super "C" and Ford Tractors



Wheel Dimensions		Description	Rim Thickness	Approx. Weight	Stock Number
Dia.	Width				
36"	9"	9" x 36" Rim with 6 Clamps on 31.75" B.C.	.130"	49 lbs.	13780SM
					13780W

34" & 38" Diameter Replacement Rim for Farmall H and M Tractors

NOTE: These rims bolt to the cast center of International Farmall H and M tractors. These rims are painted Silver Mist.



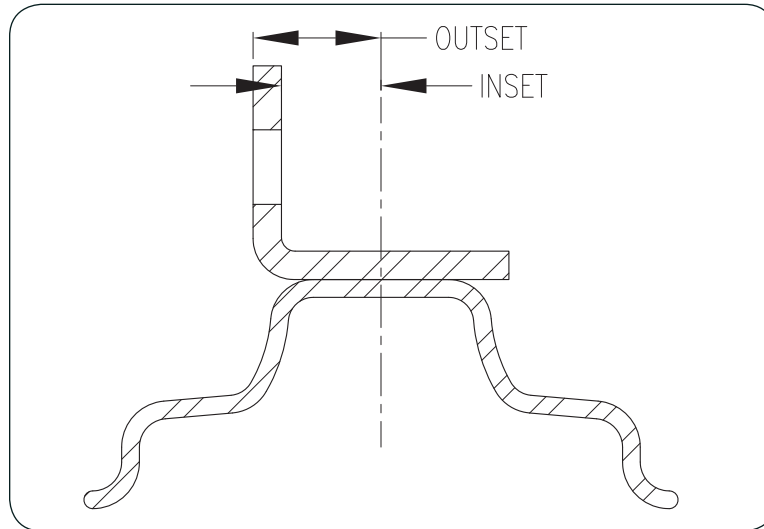
Wheel Dimensions		Description	Rim Thickness	Approx. Weight	Stock Number
Dia.	Width				
34"	16"	16" x 34" Deep-Well Rim with Drive Lug	.187"	112 lbs.	16364SM*
38"	10"	10" x 38" Deep-Well Rim with Drive Lug	.156"	71 lbs.	13959SM*
	11"	11" x 38" Deep-Well Rim with Drive Lug	.171"	87 lbs.	13960SM*
	12"	12" x 38" Deep-Well Rim with Drive Lug	.171"	92 lbs.	14677SM*
	14"	14" x 38" Deep-Well Rim with Drive Lug	.187"	115 lbs.	13961SM*

* For rims less drive lug, please refer to pages 12-10 & 12-11.

Replacement Rims

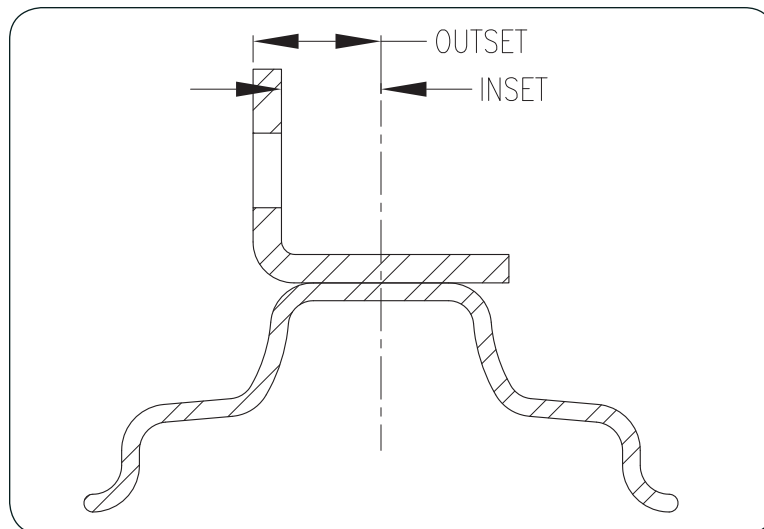
Front Replacement Rims for Farmall Tractors

NOTE: These rims are painted Silver Mist.



Wheel Dimensions		Description	Clamp Offset		Rim Thickness	Approx. Weight	Stock Number
Dia.	Width		Inset	Offset			
15"	3"	3" x 15" Rim with 3 Clamps on 11.25" B.C. for 100, 130, 140, 200, 230, 240, A, B, C, Super A and Super C	1.06"	1.31"	.100"	10 lbs.	99682
16"	4.25"	4.25" x 16" Rim with 3 Clamps on 11.50" B.C. for 300, 350, 400, 450, H, M, Super H, Super M and Super MTA	.875"	1.125"	.156"	18 lbs.	99683

Front Replacement Rims for Oliver Tractors

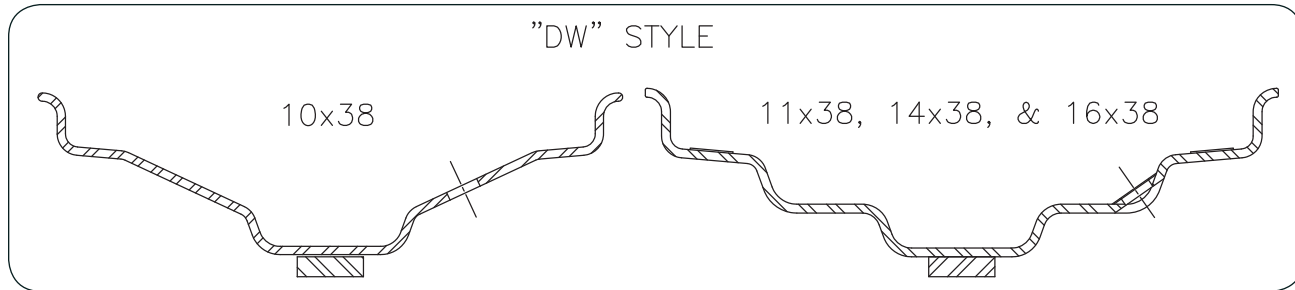


Wheel Dimensions		Description	Rim Thickness	Approx. Weight	Stock Number
Dia.	Width				
16"	4.25"	4.25" x 16" Rim with 5 Clamps on 11.625" B.C., .88" Inset, 1.19" Outset for Oliver Tractors	.156"	27 lbs.	902168

Replacement Rims

34" & 38" Diameter Replacement Rim for John Deere A, B and G Tractors

NOTE: These rims bolt to the cast center of John Deere A, B and G tractors. These rims are painted Yellow.



Wheel Dimensions		Description	Rim Thickness	Approx. Weight	Stock Number
Dia.	Width				
34"	16"	16" x 34" Deep-Well Rim with Drive Lug	.187"	112 lbs.	16364Y*
38"	10"	10" x 38" Deep-Well Rim with Drive Lug	.156"	71 lbs.	13959Y*
	11"	11" x 38" Deep-Well Rim with Drive Lug	.171"	87 lbs.	13960Y*
	12"	12" x 38" Deep-Well Rim with Drive Lug	.171"	92 lbs.	14677Y*
	14"	14" x 38" Deep-Well Rim with Drive Lug	.187"	115 lbs.	13961Y*

* For rims less drive lug, please refer to pages 12-10 & 12-11.

Miscellaneous Deep Well Rims with Drive Lugs

Wheel Dimensions		Description	Rim Thickness	Approx. Weight	Stock Number
Dia.	Width				
24"	16"	16" x 24" Deep-Well Rim with Drive Lug	.224"	93 lbs.	17328SM* 17328Y*
	18"	18" x 24" Deep-Well Rim with Drive Lug	.224"	102 lbs.	17329SM* 17329Y*
26"	14"	14" x 26" Deep-Well Rim with Drive Lug	.187"	77 lbs.	17330SM* 17330Y*
	16"	16" x 26" Deep-Well Rim with Drive Lug	.187"	85 lbs.	17331SM* 17331Y*
	18"	18" x 26" Deep-Well Rim with Drive Lug	.187"	92 lbs.	17332SM* 17332Y*
	25"	25" x 26" Deep-Well Rim with Drive Lug	.224"	145 lbs.	17334SM* 17334Y*
	26"	26" x 26" Deep-Well Rim with Drive Lug	.224"	149 lbs.	17335SM* 17335Y*
30"	14"	14" x 30" Deep-Well Rim with Drive Lug	.187"	89 lbs.	17337SM* 17337Y*
	16"	16" x 30" Deep-Well Rim with Drive Lug	.187"	98 lbs.	17338SM* 17338Y*
32"	21"	21" x 32" Deep-Well Rim with Drive Lug	.224"	156 lbs.	17340SM* 17340Y*
	27"	27" x 32" Deep-Well Rim with Drive Lug	.224"	193 lbs.	17341SM* 17341Y*

* For rims less drive lug, please refer to pages 12-4, 12-5, 12-6, 12-7, 12-8 & 12-9.

Oliver Beveled Rims with Drive Lugs



Wheel Dimensions		Description	Rim Thickness	Approx. Weight	Stock Number
Dia.	Width				
38"	12"	12" x 38" Beveled Rim with Drive Lugs	.179"	93 lbs.	110129R 110129W
	14"	14" x 38" Beveled Rim with Drive Lugs	.187"	110 lbs.	110130R 110130W

Notes

SECTION 13: AG Discs

(Click on the Section you would like to navigate to)

Loose, Bolt In Discs

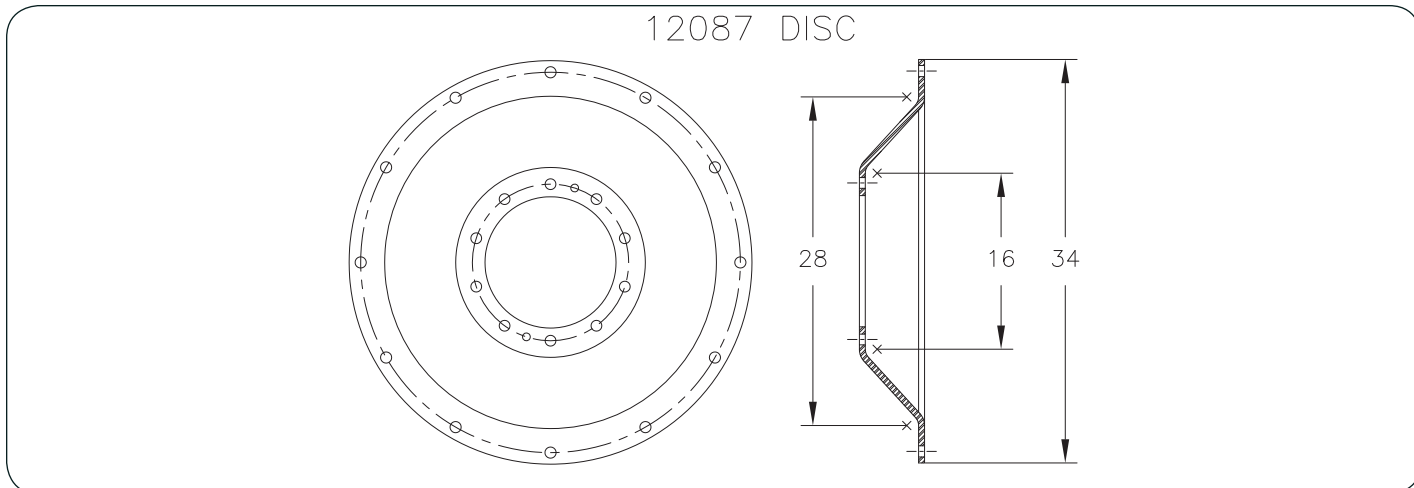
Loose, Weld In Discs – Pressed Steel Discs

Loose, Weld In Discs – Formed Plate Discs

Loose, Weld In Discs – Straight Plate Discs

Loose, Bolt In Formed Discs for Waffle Wheels

Loose, Bolt-In Discs



Bolt-In, Formed Disc

(Used to convert Stub-Disc Wheels from John Deere 55, 60, 7000, 7010, 8000, 9000 Series and Current models to Dual Wheels)

INNER-BOLT PATTERN = Ten-Hole - 13.187" Bolt Circle - 11.063" Pilot

OUTER-BOLT PATTERN = Twelve-Hole - 32.047" (814mm) Bolt Circle

Disc Thickness	Comments	Approximate Weight	Stock Number
.50"	4" Form	126 lbs.	15659

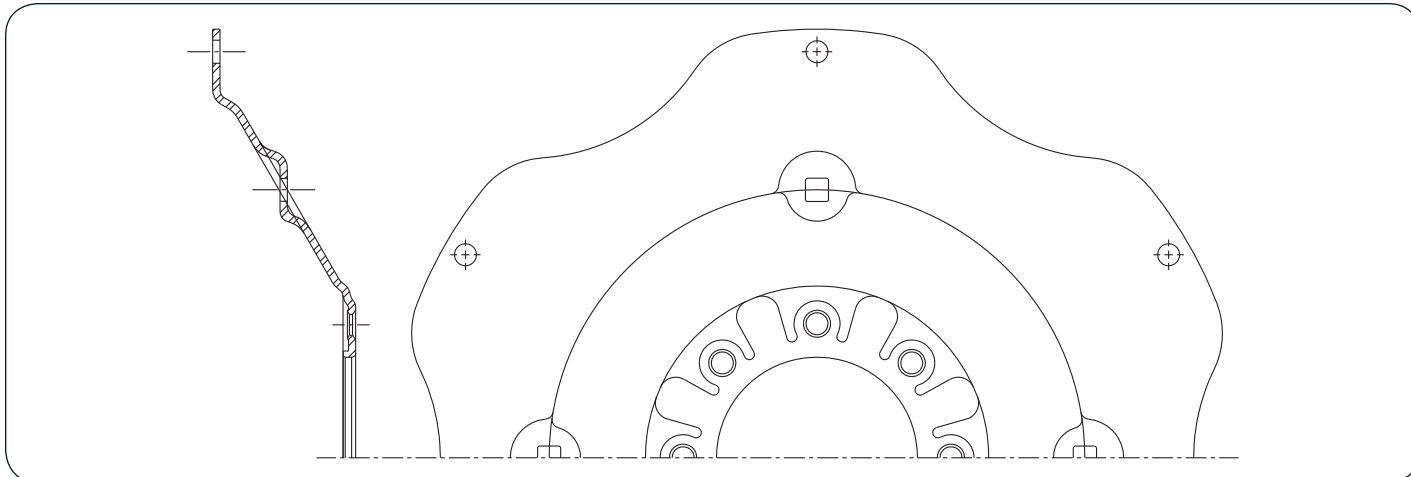
ADDITIONAL INFORMATION:

- These Discs are painted Silver Mist (SM) or Yellow (Y)

Hardware Package for Bolt-In Disc #15659

Description	Approximate Weight	Stock Number
Hardware Package to bolt disc to stub-disc wheel (Consists of: 12 Bolts, 12 Nuts, & 24 Washers.)	13 lbs.	12097

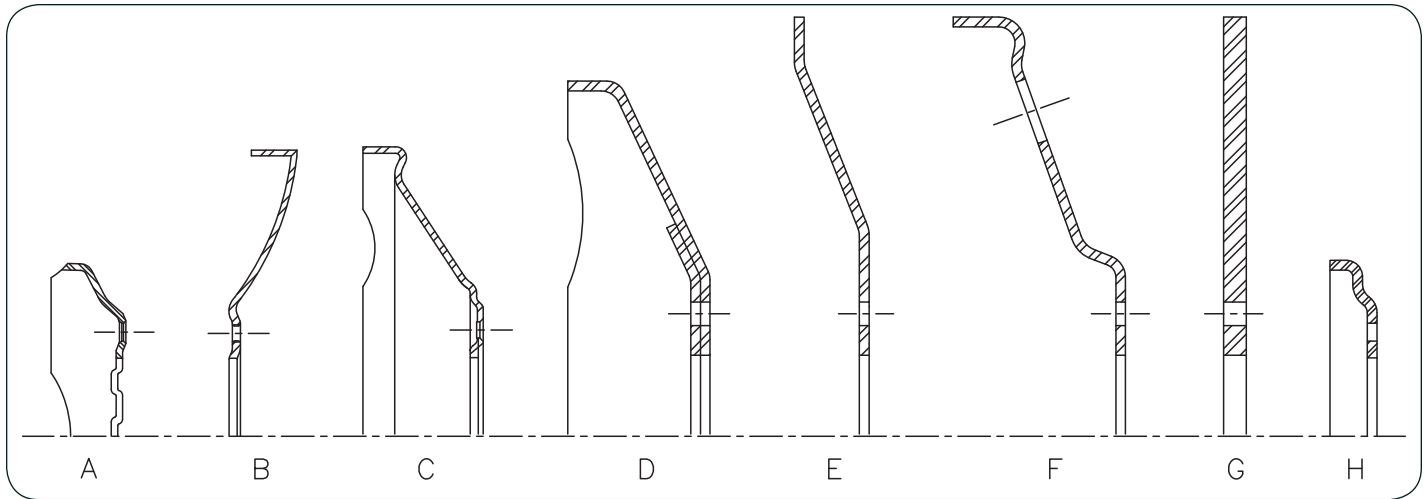
Loose, Bolt-In Discs



Discs for Rims with Clamps

Description	Approximate Weight	Stock Number
Bolt-In, Formed Disc to fit RC 1224-6 (Disc has an Inner Bolt Circle of 8 on 8" - 6" Pilot, .656Ø hole with 90° c'sink.)	24 lbs.	94129
Bolt-In, Formed Disc to fit RC 928-6, RC 1028-6, RC 1128-6, and RC 1228-6 (Disc has an Inner Bolt Circle of 8 on 8" - 6" Pilot, .656Ø hole with 90° c'sink.)	32 lbs.	92594
		92594Y
Bolt-In, Formed Disc to fit 26" Dia. Rim w/8 Clamps (Disc has an Inner Bolt Circle of 10 on 13.189" - 11.050" Pilot, with .812Ø hole.)	37 lbs.	95982
Bolt-In, Formed Disc to fit 28" Dia. Rim w/8 Clamps (Disc has an Inner Bolt Circle of 10 on 13.189" - 11.050" Pilot, with .812Ø hole.)	44 lbs.	95983

Loose, Weld-In Discs for Pressed-Steel Discs



Five-Hole - 5.50" Bolt Circle - 4" Pilot Diameter

This Disc will fit most Rims with this Diameter	Overall Disc Diameter*	Disc Style (See above drawings)	Disc Thickness	Description	Approx. Weight	Stock Number
14"	12.063"	B	0.1494"	Four-Spoke	6 lbs.	92398

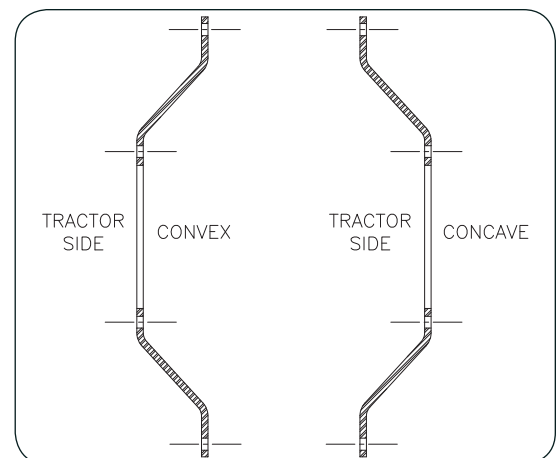
Six-Hole - 6.00" Bolt Circle - 4.625" Pilot Diameter

This Disc will fit most Rims with this Diameter	Overall Disc Diameter*	Disc Style (See above drawings)	Disc Thickness	Description	Approx. Weight	Stock Number
15"	12.563"	C	0.224"	Four-Spoke	9 lbs.	92354
16", 16.1"	13.563"	C	0.224"	Four-Spoke	10 lbs.	92356
16", 16.1"	13.526"	H	0.312"	Full-Contact	17 lbs.	900562***

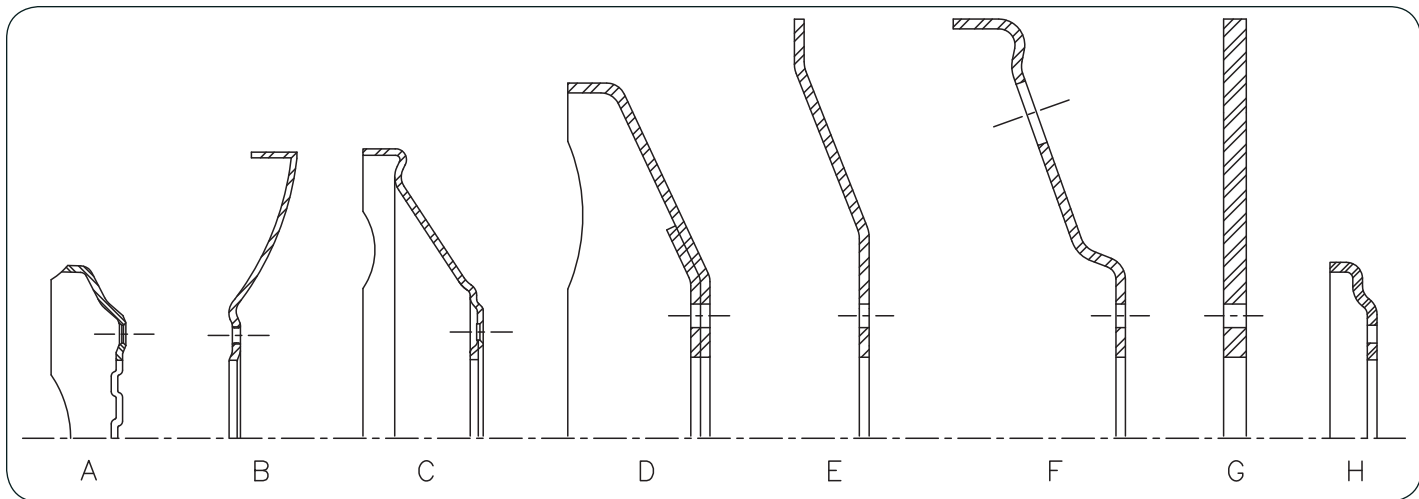
- * Be sure to check I.D. (Inside Diameter) of the rim and compare to O.D. (Outside Diameter) of the disc to be certain the disc will fit into the rim.
- ** These pressed-steel discs have a reinforcing ring around the bolt circle area of the disc.
- *** This pressed-steel disc has bolt holes that are not countersunk.

ADDITIONAL INFORMATION:

- All discs above are unpainted.
- All pressed-steel discs on this page are convex except numbers 10928, 92336, 92358, 92395, 92397, and 92398 which are concave (See drawings at right).



Loose, Weld-In Discs for Pressed-Steel Discs



Eight-Hole - 8.00" Bolt Circle - 6.00" Pilot Diameter

This Disc will fit most Rims with this Diameter	Overall Disc Diameter*	Disc Style (See above drawings)	Disc Thickness	Description	Approx. Weight	Stock Number
15"	12.563"	A	0.229"	Full-Contact	9 lbs.	92357
	12.563"	A	0.229"	Full-Contact	13 lbs.	12714**
16", 16.1"	13.563"	A	0.229"	Full-Contact	11 lbs.	92396
	13.563"	A	0.229"	Full-Contact	16 lbs.	10925**
	13.524"	H	0.375"	Full-Contact	16 lbs.	96539***
16.5"	15.170"	A	0.224"	Four-Spoke	13 lbs.	97270
24"	22.00"	C	0.25"	Full-Contact	33 lbs.	92359
	22.00"	C	0.25"	Full-Contact	37 lbs.	10924**
28"	26.00"	D	0.25"	Full-Contact	87 lbs.	92394**

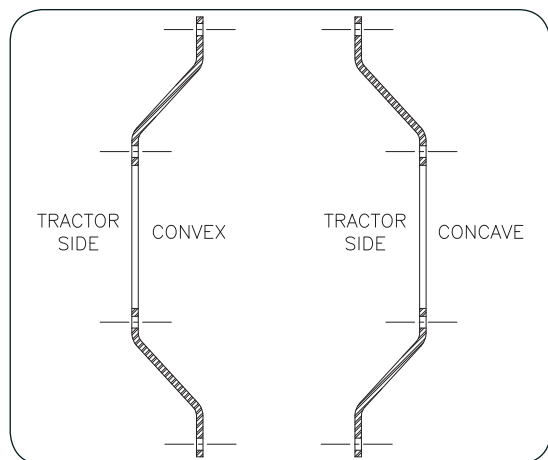
* Be sure to check I.D. (Inside Diameter) of the rim and compare to O.D. (Outside Diameter) of the disc to be certain the disc will fit into the rim.

** These pressed-steel discs have a reinforcing ring around the bolt circle area of the disc.

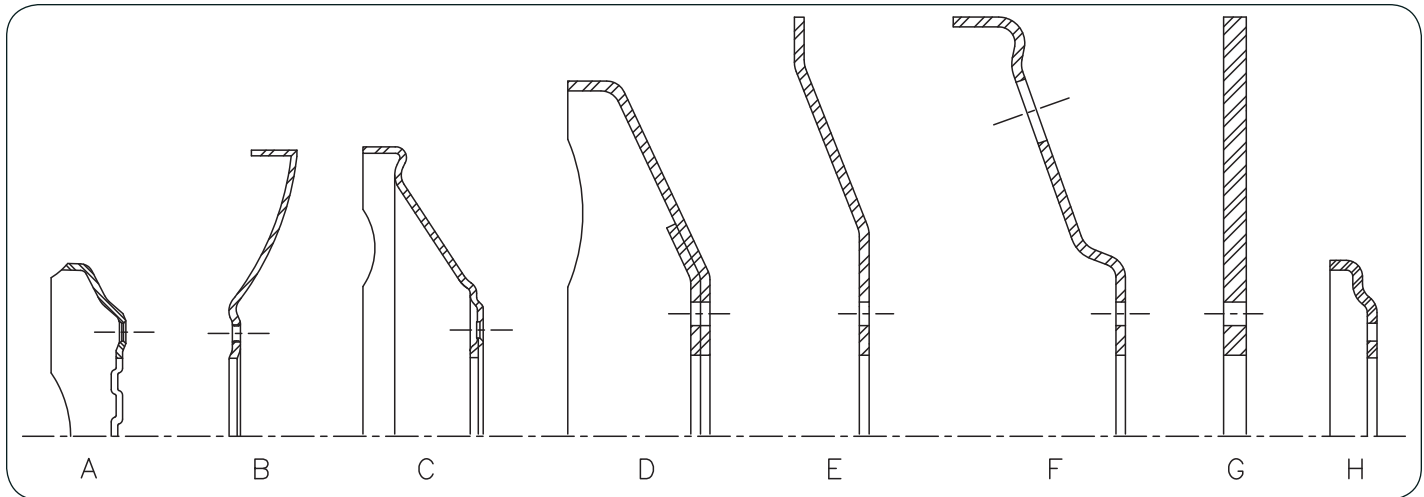
*** This pressed-steel disc has bolt holes that are not counter-sunk.

ADDITIONAL INFORMATION:

- All discs above are unpainted.
- All pressed-steel discs on this page are convex except numbers 10928, 92336, 92358, 92395, 92397, and 92398 which are concave (See drawings at right).



Loose, Weld-In Discs for Pressed-Steel Discs



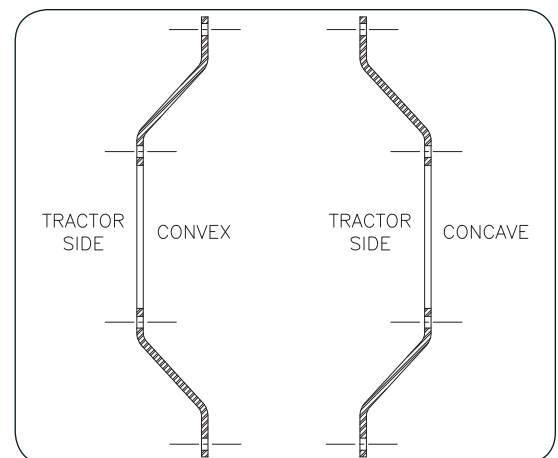
Nine-Hole - 9.50" Bolt Circle - 7.75" Pilot Diameter

This Disc will fit most Rims with this Diameter	Overall Disc Diameter*	Disc Style (See above drawings)	Disc Thickness	Description	Approx. Weight	Stock Number
30"DW (20" Wide)	27.563"	C	0.229"	Full-Contact	40 lbs.	11038**
32"DW	29.50"	C	0.218"	Full-Contact	46 lbs.	11039**
34"	32.00"	C	0.229"	Four-Spoke	64 lbs.	1451**
38"	36.00"	C	0.224"	Four-Spoke	73 lbs.	1452**

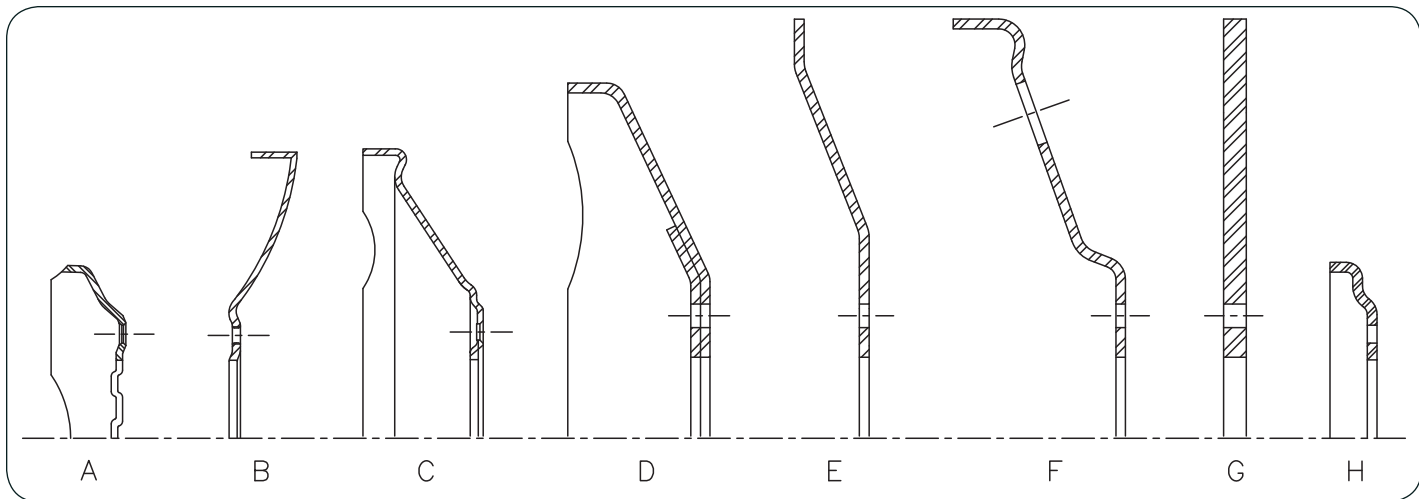
- * Be sure to check I.D. (Inside Diameter) of the rim and compare to O.D. (Outside Diameter) of the disc to be certain the disc will fit into the rim.
- ** These pressed-steel discs have a reinforcing ring around the bolt circle area of the disc.
- *** This pressed-steel disc has bolt holes that are not countersunk.

ADDITIONAL INFORMATION:

- All discs above are unpainted.
- All pressed-steel discs on this page are convex except numbers 10928, 92336, 92358, 92395, 92397, and 92398 which are concave (See drawings at right).



Loose, Weld-In Discs for Formed-Plate Discs



Ten-Hole - 13.187" Bolt Circle - 11.063" Pilot Diameter

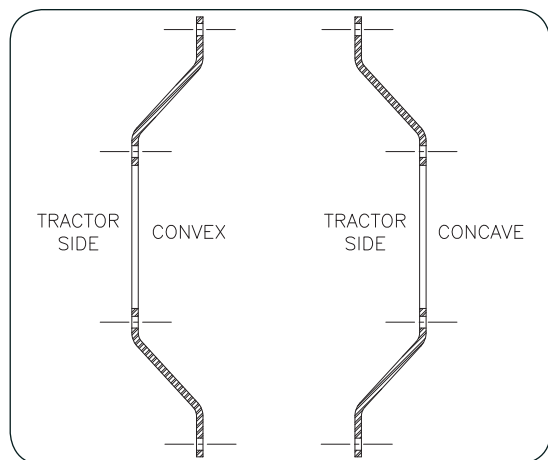
This Disc will fit most Rims with this Diameter	Overall Disc Diameter*	Disc Style (See above drawings)	Disc Thickness	Description	Approx. Weight	Stock Number
38"	36.00"	F	.375"	5" Form Full-Contact	131 lbs.	11584
38"	36.00"	F	.375"	5" Form Full-Contact	131 lbs.	12209**
38"	36.00"	F	.50"	5" Form Full-Contact	174 lbs.	12165**
38"	36.00"	F	.625"	5.25" Form Full-Contact	216 lbs.	16385**
42" (9" Wide)	41.563"	E	.50"	5" Form Four-Spoke	172 lbs.	11058
42"	40.00"	F	.375"	5" Form Full-Contact	161 lbs.	10386
42"	40.00"	F	.375"	5.75" Form Full-Contact	158 lbs.	12222**
42"	40.00"	F	.50"	5.75" Form Full-Contact	214 lbs.	13841**
42"	40.00"	F	.625"	6.75" Form Full-Contact	268 lbs.	15700**
44"	42.00"	E	.50"	2.50" Form Full-Contact	187 lbs.	10450
46"	44.00"	E	.50"	2.50" Form Full-Contact	206 lbs.	10451
46"	44.00"	F	.375"	6.50" Form Full-Contact	191 lbs.	12169**
46"	44.00"	F	.50"	7.00" Form Full-Contact	252 lbs.	13932**
46" (20" Wide)	42.00"	F	.625"	6.75" Form Full-Contact	292 lbs.	15662**
48" & 50"	46.00"	E	.50"	2.50" Form Full-Contact	226 lbs.	10452
48" & 50"	46.00"	F	.50"	7.75" Form Full-Contact	279 lbs.	14945**
50"	47.563"	E	.50"	1.75" Form Full-Contact	240 lbs.	12075
52"	50.00"	E	.50"	1.75" Form Full-Contact	266 lbs.	11810

* Be sure to check I.D. (Inside Diameter) of the rim and compare to O.D. (Outside Diameter) of the disc to be certain the disc will fit into the rim.

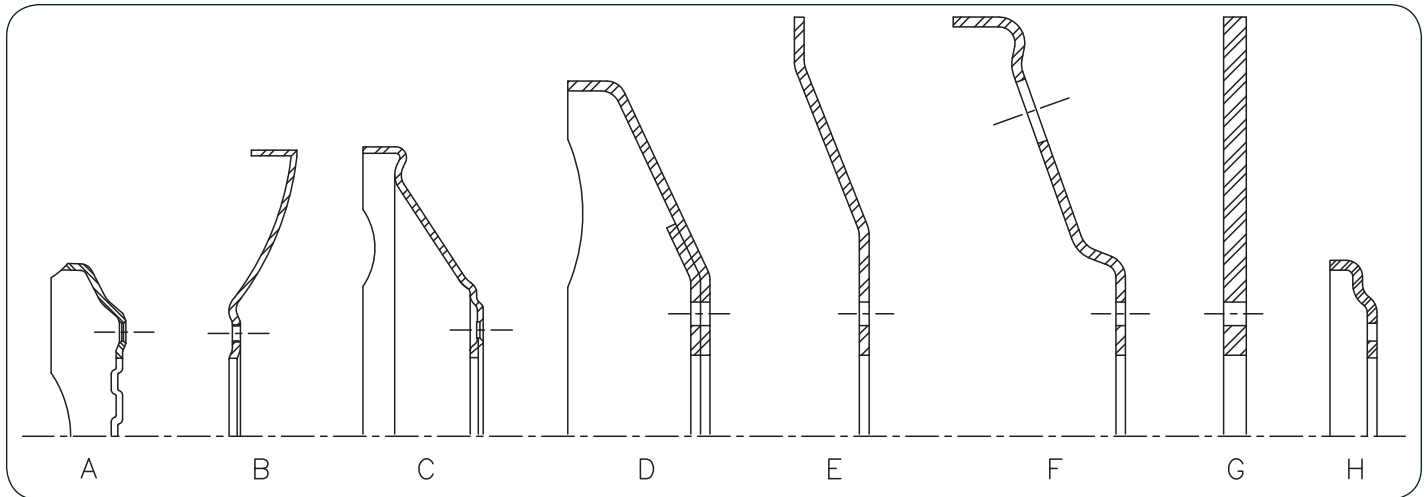
** These discs have 6 wheel weight holes on a 25.787" bolt circle.

ADDITIONAL INFORMATION:

- All discs above are unpainted.
- All formed-plate discs on this page are convex (See drawings at right).



Loose, Weld-In Discs for Straight-Plate Discs



Five-Hole - 5.50" Bolt Circle - 4.00" Pilot Diameter

This Disc will fit most Rims with this Diameter	Overall Disc Diameter*	Disc Style (See above drawings)	Disc Thickness	Approx. Weight	Stock Number
14"	11.938"	G	.50"	14 lbs.	11040
15"	12.438"	G	.50"	15 lbs.	11041
16"	13.438"	G	.50"	18 lbs.	11042

Six-Hole - 6.00" Bolt Circle - 4.625" Pilot Diameter

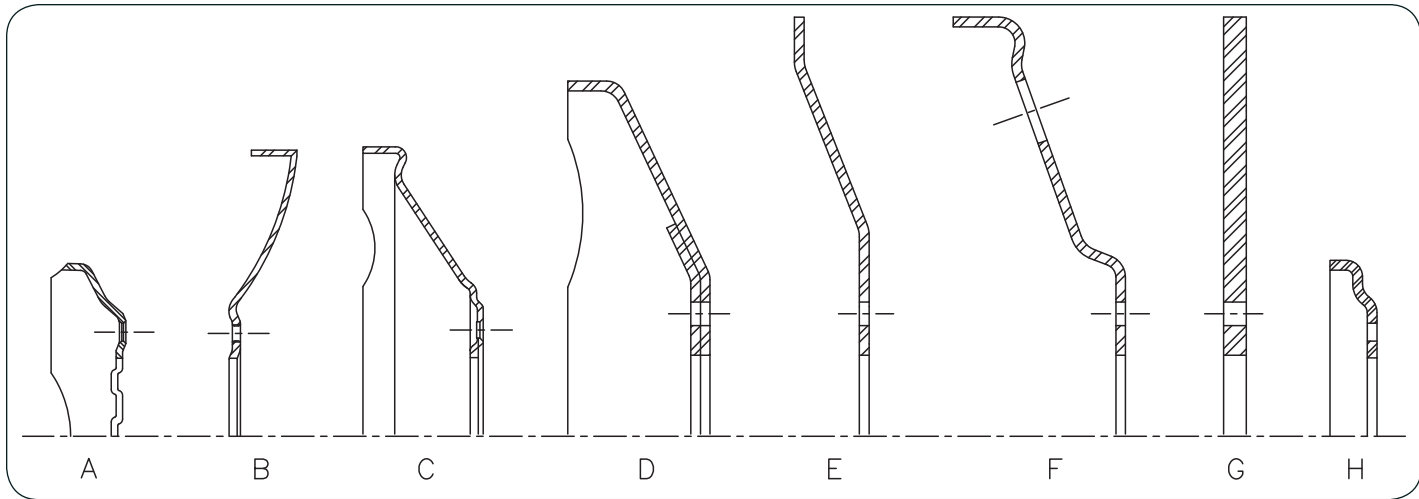
This Disc will fit most Rims with this Diameter	Overall Disc Diameter*	Disc Style (See above drawings)	Disc Thickness	Approx. Weight	Stock Number
14"	11.938"	G	.50"	13 lbs.	11043
15"	12.42"	G	.50"	15 lbs.	11044
16", 16.1"	13.42"	G	.50"	18 lbs.	11045
16.5"	15.063"	G	.50"	23 lbs.	11046
20"	17.688"	G	.50"	32 lbs.	11047
24"	22.00"	G	.50"	51 lbs.	11048

* Be sure to check I.D. (Inside Diameter) of the rim and compare to O.D. (Outside Diameter) of the disc to be certain the disc will fit into the rim.

ADDITIONAL INFORMATION:

- All discs above are unpainted.

Loose, Weld-In Discs for Straight-Plate Discs



Eight-Hole - 8.00" Bolt Circle - 6.00" Pilot Diameter

This Disc will fit most Rims with this Diameter	Overall Disc Diameter*	Disc Style (See above drawings)	Disc Thickness	Approx. Weight	Stock Number
15"	12.42"	G	.50"	13 lbs.	11049
16", 16.1"	13.42"	G	.50"	16 lbs.	11050
16.5"	15.063"	G	.50"	21 lbs.	11051
20"	17.688"	G	.50"	31 lbs.	11052
24"	22.00"	G	.50"	49 lbs.	11053
26"	24.00"	G	.625"	75 lbs.	11054
28"	26.00"	G	.625"	89 lbs.	11055

Nine-Hole - 9.50" Bolt Circle - 7.75" Pilot Diameter

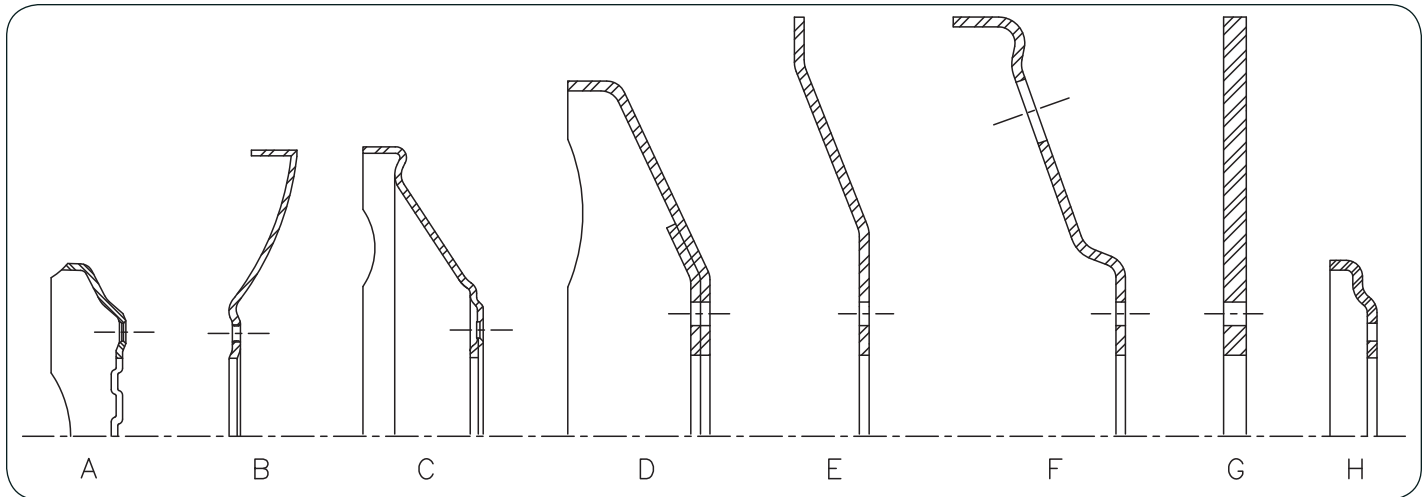
This Disc will fit most Rims with this Diameter	Overall Disc Diameter*	Disc Style (See above drawings)	Disc Thickness	Approx. Weight	Stock Number
30"DW (20" Wide)	27.50"	G	.625"	96 lbs.	1401
32"DW	29.50"	G	.625"	112 lbs.	1402
34"	32.00"	G	.625"	134 lbs.	1403
34"DW (20" Wide)	31.50"	G	.625"	129 lbs.	1404
38"	36.00"	G	.625"	171 lbs.	1405
42"	40.00"	G	.625"	214 lbs.	10781

* Be sure to check I.D. (Inside Diameter) of the rim and compare to O.D. (Outside Diameter) of the disc to be certain the disc will fit into the rim.

ADDITIONAL INFORMATION:

- All discs above are unpainted.

Loose, Weld-In Discs for Straight-Plate Discs



Stud-Mounted Budd Pattern

Ten-Hole - 11.25" Bolt Circle - 8.75" Pilot Diameter and 1.188" Diameter Holes w/Spherical Countersink

This Disc will fit most Rims with this Diameter	Overall Disc Diameter*	Disc Style (See above drawings)	Disc Thickness	Approx. Weight	Stock Number
20"	19.375"	G	.625"	39 lbs.	11743
22.5"	21.10"	G	.625"	49 lbs.	12308
25"	23.187"	G	.625"	62 lbs.	11745

Hud-Mounted Budd Pattern

Ten-Hole - 11.25" Bolt Circle - 8.661" Pilot Diameter and 1.06" Diameter Holes

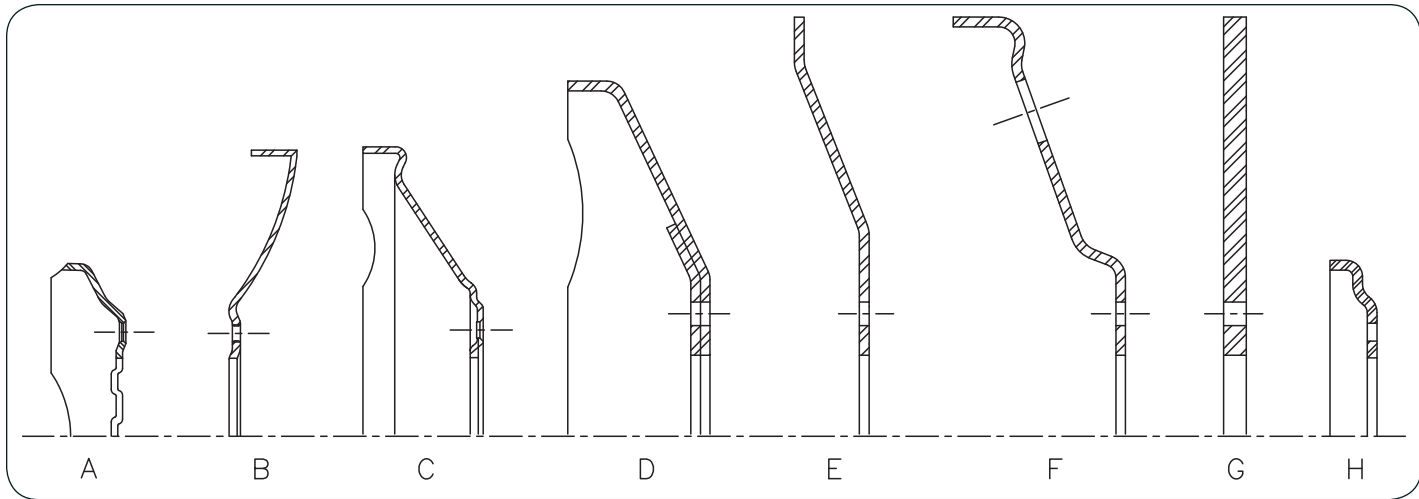
This Disc will fit most Rims with this Diameter	Overall Disc Diameter*	Disc Style (See above drawings)	Disc Thickness	Approx. Weight	Stock Number
20"	19.375"	G	.625"	41 lbs.	13879
22.5"	21.10"	G	.625"	50 lbs.	13880
25"	23.187"	G	.625"	63 lbs.	13881

* Be sure to check I.D. (Inside Diameter) of the rim and compare to O.D. (Outside Diameter) of the disc to be certain the disc will fit into the rim.

ADDITIONAL INFORMATION:

- All discs above are unpainted.

Loose, Weld-In Discs for Straight-Plate Discs



Ten-Hole - 13.187" Bolt Circle - 11.063" Pilot Diameter

This Disc will fit most Rims with this Diameter	Overall Disc Diameter*	Disc Style (See above drawings)	Disc Thickness	Approx. Weight	Stock Number
30"DW (20" Wide)	27.50"	G	.625"	86 lbs.	1406
32"	29.50"	G	.625"	102 lbs.	1407
34"	32.00"	G	.625"	124 lbs.	1409
34"DW (20" Wide)	31.50"	G	.625"	119 lbs.	1410
38"	36.00"	G	.625"	162 lbs.	1411
42"	40.00"	G	.625"	204 lbs.	1412
44"	42.00"	G	.625"	227 lbs.	10696
46"	44.00"	G	.625"	251 lbs.	10695
48"	46.00"	G	.625"	276 lbs.	10697
50"	46.00"	G	.625"	276 lbs.	10697
52"	50.00"	G	.625"	329 lbs.	12942
54"	52.00"	G	.625"	358 lbs.	10698

* Be sure to check I.D. (Inside Diameter) of the rim and compare to O.D. (Outside Diameter) of the disc to be certain the disc will fit into the rim.

ADDITIONAL INFORMATION:

- All discs above are unpainted.

Loose, Bolt-In Formed Discs for Waffle Wheels

8 Holes (.843Ø) on 10.826" Bolt Circle w/8.73" Pilot

This Disc will fit most Waffle Wheels with this Diameter	Outside Bolt Circle of Disc	Disc Thickness	Disc Offset	Approx. Weight	Stock Number
38", 42", 44", 46", 48", 50" & 54"	33.25"	.50"	4.00"	130 lbs.	16261ACG* 16261B* 16261SM* 16261W* 16261Y*

10 Holes (.843Ø) on 13.189" Bolt Circle w/11.060" Pilot

This Disc will fit most Waffle Wheels with this Diameter	Outside Bolt Circle of Disc	Disc Thickness	Disc Offset	Approx. Weight	Stock Number
28" & 30"	23.25"	.375"	4.00"	51 lbs.	16253B 16253W 16253Y
34"	29.25"	.375"	4.00"	72 lbs.	16257B 16257W 16257Y

10 Holes (.906Ø) on 13.189" Bolt Circle w/11.060" Pilot

This Disc will fit most Waffle Wheels with this Diameter	Outside Bolt Circle of Disc	Disc Thickness	Disc Offset	Approx. Weight	Stock Number
28" & 30"	23.25"	.375"	4.00"	51 lbs.	16254ACG 16254FR 16254SM 16254W 16254Y
34"	29.25"	.375"	4.00"	72 lbs.	16258ACG 16258SM 16258W 16258Y
38", 42", 44", 46", 48", 50" & 54"	33.25"	.472"	4.00"	127 lbs.	16262ACG* 16262B* 16262SM* 16262W* 16262Y*

* These discs have 6 wheel weight holes on a 25.787" bolt circle.

ADDITIONAL INFORMATION:

- For desired color add the appropriate color code to end of stock number. AGCO Corporate Gray (ACG), Fendt Red (FR), Silver Mist (SM), Black (B), White (W), Yellow (Y)

Loose, Bolt-In Formed Discs for Waffle Wheels

12 Holes (.843Ø) on 16.732" Bolt Circle w/14.630" Pilot

This Disc will fit most Waffle Wheels with this Diameter	Outside Bolt Circle of Disc	Disc Thickness	Disc Offset	Approx. Weight	Stock Number
28" & 30"	23.25"	.375"	4.00"	52 lbs.	16255B 16255W 16255Y
34"	29.25"	.375"	4.00"	68 lbs.	16259B 16259W 16259Y

12 Holes (.906Ø) on 16.732" Bolt Circle w/14.630" Pilot

This Disc will fit most Waffle Wheels with this Diameter	Outside Bolt Circle of Disc	Disc Thickness	Disc Offset	Approx. Weight	Stock Number
28" & 30"	23.25"	.375"	4.00"	52 lbs.	16256ACG 16256FR 16256SM 16256W 16256Y
34"	29.25"	.375"	4.00"	68 lbs.	16260ACG 16260FR 16260SM 16260W 16260Y
38", 42", 44", 46", 48", 50" & 54"	33.25"	.375"	4.00"	92 lbs.	16263ACG* 16263B* 16263SM* 16263W* 16263Y*

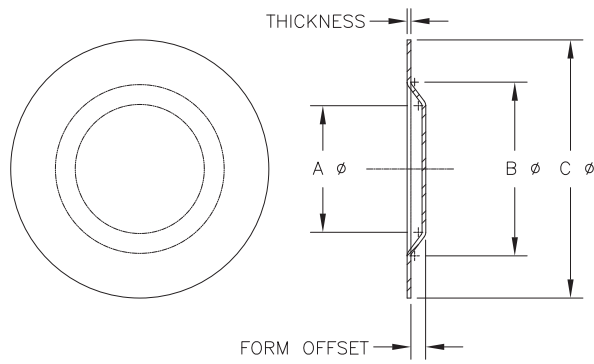
* These discs have 6 wheel weight holes on a 25.787" bolt circle.

ADDITIONAL INFORMATION:

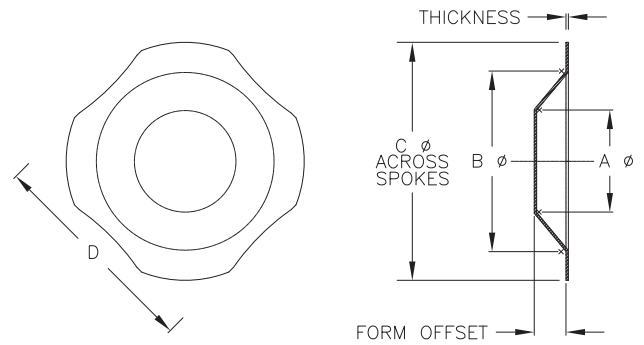
- For desired color add the appropriate color code to end of stock number. AGCO Corporate Gray (ACG), Fendt Red (FR), Silver Mist (SM), Black (B), White (W), Yellow (Y)

Custom-Built Discs

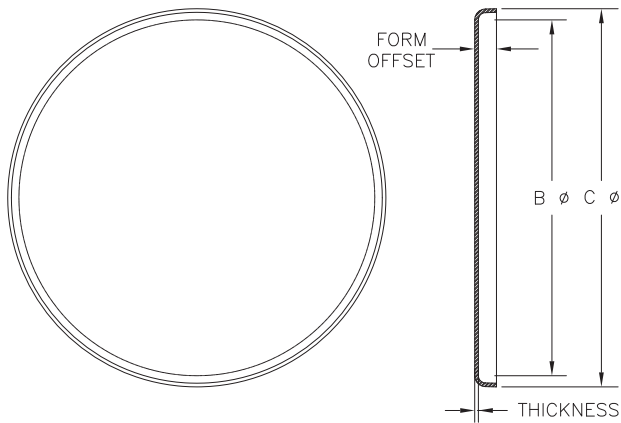
In addition to the many standard discs we stock, we also custom build discs for many speciality applications. Shown below are six basic designs that we custom build. Depending upon the particular application, we supply these custom-built discs in almost any bolt pattern. Please refer to Section 22 for further information.



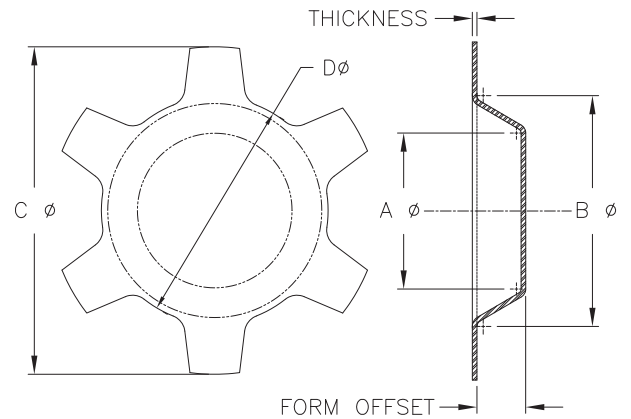
DISC STYLE 1



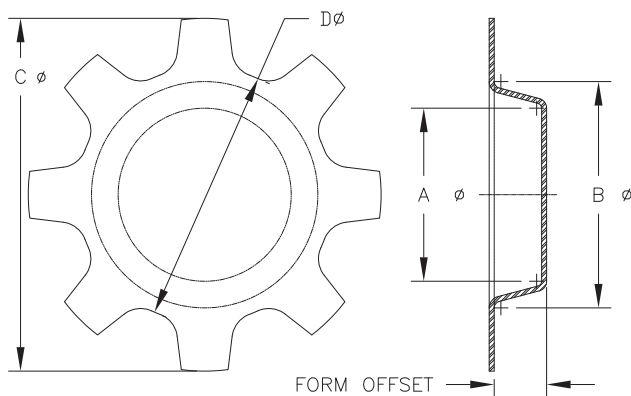
DISC STYLE 2



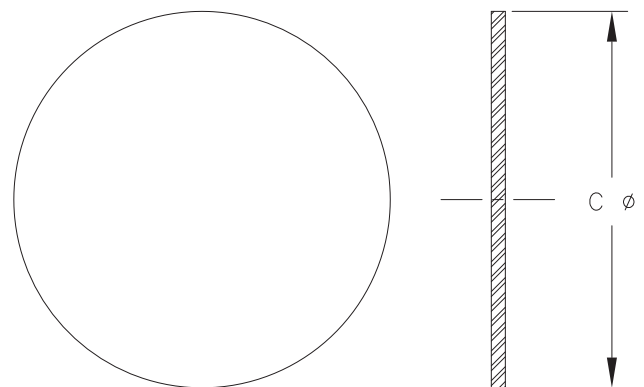
DISC STYLE 3



DISC STYLE 4



DISC STYLE 5



DISC STYLE 6

SECTION 14: AG Miscellaneous Wheels

(Click on the Section you would like to navigate to)

Waffle Wheels for AGCO, Challenger, Fendt & Massey Ferguson MFWD

Waffle Wheels for Bühler / Versatile MFWD

Waffle Wheels for Case-IH MFWD

Waffle Wheels for John Deere MFWD

Waffle Wheels for New Holland MFWD

Miscellaneous 8 & 10 Hole Waffle Wheels

Loose, Bolt In Formed Discs for Waffle Wheels

Loose Waffle Wheels (Rim Weldments) & Waffle Wheel Hardware

RCDW Wheels for AGCO, Challenger, Fendt & Massey Ferguson MFWD

RCDW Wheels for Case-IH MFWD

RCDW Wheels for John Deere MFWD

RCDW Wheels for New Holland MFWD

Miscellaneous Wheels (Specialty Stub Disc Front Wheels, Rim & Disc Assembly, Irrigation Wheels & Grain Cart Wheels)

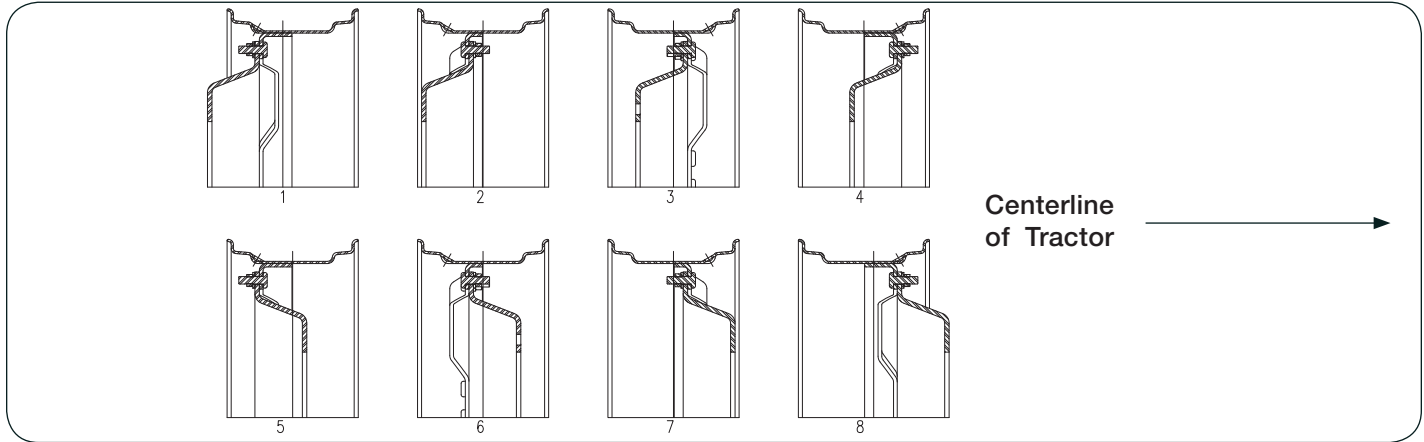
Main Wheels for Sprayers

Conversion Packages for Three-Wheel Floaters

Wheels for 4WD Scraper Tractors

Wheels for JCB Fastrac

Waffle Wheels for AGCO, Challenger, Fendt & Massey Ferguson MFWD



12 Holes on 16.732" B.C. & 14.625" Pilot with .906 Bolt Holes, 74.50" Hub / Hub

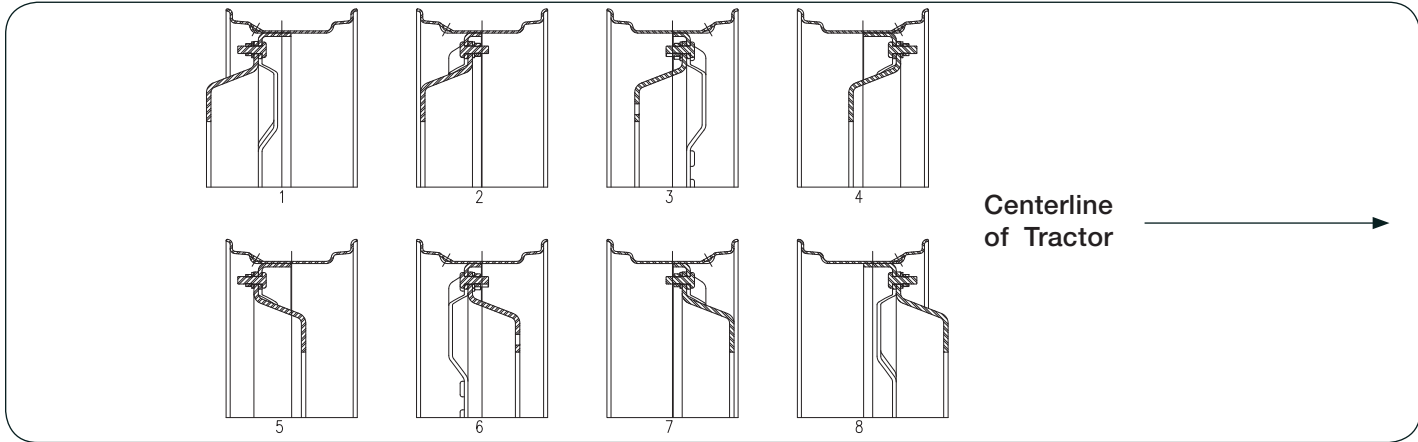
Wheel Size	Tractor Model	Tread Widths Achieved by Wheel in Various Positions								Stock Number
		1	2	3	4	5	6	7	8	
13 x 28	DT200, DT205B, DT220A, DT225, DT225B, DT240A, DT250B, DT275B, MT645C, MT645D, MT655, MT655C, MT655D, MT665, MT665C, MT665D, MT675C, MT675D, MT685D, Fendt 918, 920, 924, 926, MF8270, MF8280, MF8470, MF8480, MF8650, MF8660, MF8670, MF8680	60.88	64.87	68.88	72.87	76.88	80.87	84.88	88.87	16287ACG
15 x 28		16288ACG								
18 x 28		N/A	N/A	68.88	72.67	76.88	80.87	84.88	88.87	16307ACG
13 x 30		16289ACG								
15 x 30		16290ACG								
20 x 30		16319ACG								
10 x 34		16291ACG								
13 x 34		60.88	64.87	68.88	72.87	76.88	80.87	84.88	88.87	16292ACG
15 x 34		16293ACG								
10 x 38		16294ACG								
12 x 38		16295ACG								
10 x 42		16346ACG								
20 x 30		N/A	N/A	N/A	N/A	76.88	80.87	84.88	88.87	16319FR
10 x 34		Fendt 922, 924, 927, 930, 933, 936, 939 (red wheels)								
13 x 34										16292FR
15 x 34	60.88	64.87	68.88	72.87	76.88	80.87	84.88	88.87	16293FR	
10 x 38										17599FR
12 x 38										17600FR
10 x 42										17601FR

10 Holes on 13.189" B.C. & 11.060" Pilot with .906 Bolt Holes, 74.50" Hub / Hub

Wheel Size	Tractor Model	Tread Widths Achieved by Wheel in Various Positions								Stock Number	
		1	2	3	4	5	6	7	8		
10 x 28	RT130, RT145, DT160, DT180, DT180A, DT200A, MT545, MT555, MT565, MT575, MT585, MT595, MT635, MT645, 712*, 714*, 716*, 815, 817, 818, 820, 822, 824, 826, 828, 6480, MF6485, MF6490, MF6495, MF6497, MF6499, MF7480, MF7485, MF7490, MF7495, MF7499, MF7619, MF7620, MF7622, MF7624, MF8220, MF8240, MF8245, MF8250, MF8260, MF8450, MF8460	60.88	64.87	68.88	72.87	76.88	80.87	84.88	88.87	16296ACG	
12 x 28		16297ACG									
13 x 28		16298ACG									
15 x 28		16299ACG									
18 x 28		N/A	N/A	68.88	72.67	76.88	80.87	84.88	88.87	16310ACG	
13 x 30											16300ACG
15 x 30											16301ACG
20 x 30		60.88	64.87	68.88	72.87	76.88	80.87	84.88	88.87	16318ACG	
10 x 34											16302ACG
13 x 34											16303ACG
15 x 34											16304ACG
10 x 38											16305ACG
12 x 38		60.88	65.06	68.88	73.06	76.88	81.06	84.88	89.06	16306ACG	
10 x 42											16345ACG
12 x 54											17290ACG

* These tractor models had a 8 hole and 10 hole MFD Axle. Please verify with customer before ordering.

Waffle Wheels for Bühler / Versatile MFWD



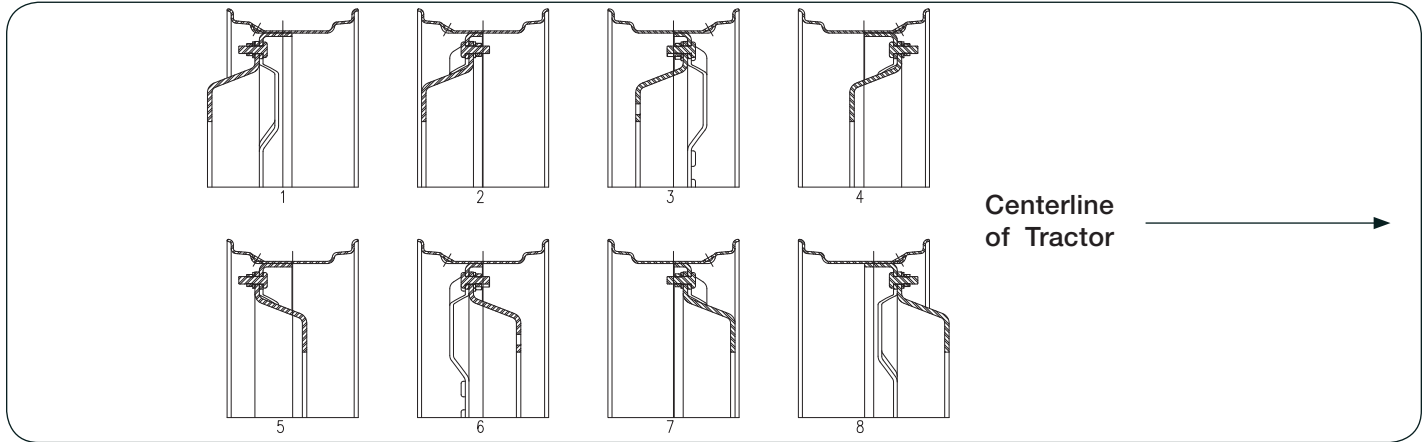
12 Holes on 16.732" B.C. & 14.625" Pilot with .906 Bolt Holes, 74.00" Hub / Hub

Wheel Size	Tractor Model	Tread Widths Achieved by Wheel in Various Positions								Stock Number
		1	2	3	4	5	6	7	8	
13 x 28	250, 260, 280, 290, 305, 310, 2145, 2160, 2180, 2210	60.63	64.62	68.63	72.62	76.63	80.62	84.63	88.62	16287BW
15 x 28										16288BW
18 x 28										16307BW
13 x 30										16289BW
15 x 30										16290BW
10 x 34										16291BW
13 x 34										16292BW
15 x 34										16293BW
10 x 38										16294BW
12 x 38										16295BW
10 x 42										16346BW

ADDITIONAL INFORMATION:

- Above Wheels are painted Bone White.

Waffle Wheels for Case-IH MFWD



12 Holes on 16.732" B.C. & 14.625" Pilot with .843 Bolt Holes, 74.25" Hub / Hub

Wheel Size	Tractor Model	Tread Widths Achieved by Wheel in Various Positions								Stock Number
		1	2	3	4	5	6	7	8	
13 x 28	Magnum 180**, 215**, 225**, 235**, 245**, 260, 275, 290, 305, 315, 335, 340, 360 MX210**, MX215**, MX230**, MX240, MX245**, MX255, MX270, MX275, MX285, MX305	60.63	64.62	68.63	72.62	76.63	80.62	84.63	88.62	16311SM
15 x 28										16312SM
18 x 28										16331SM
13 x 30										16313SM
15 x 30										16314SM
20 x 30										16309SM
10 x 34										16315SM
13 x 34										16316SM
15 x 34										16317SM
10 x 38										16294SMB
12 x 38										16295SMB
10 x 42										16346SMB

10 Holes on 13.189" B.C. & 11.060" Pilot with .843 Bolt Holes, 74.00" Hub / Hub

Wheel Size	Tractor Model	Tread Widths Achieved by Wheel in Various Positions								Stock Number
		1	2	3	4	5	6	7	8	
10 x 28	Magnum 180**, 190, 210, 215**, 225**, 235**, 245** 8900 Series, MX150*, MX170*, MX180, MX200, MX210**, MX215**, MX220, MX230**, MX245**	60.38	64.37	68.38	72.37	76.38	80.37	84.38	88.37	16320SM
12 x 28										16321SM
13 x 28										16322SM
15 x 28										16323SM
18 x 28										16332SM
13 x 30										16324SM
15 x 30										16325SM
20 x 30										16308SM
10 x 34										16326SM
13 x 34										16327SM
15 x 34										16328SM
10 x 38										16305SMB
12 x 38										16306SMB
10 x 42										16345SMB
12 x 54	17290SMB									

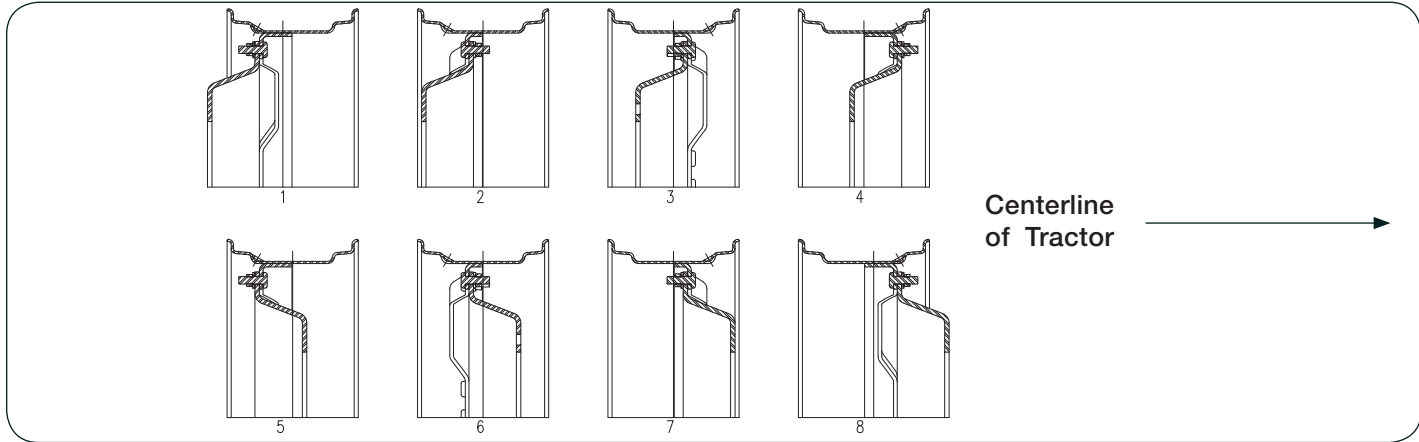
* The H/H for these Models is 75.0". Add 1" to Tread Widths Listed to obtain Tread Widths for these Models.

** These tractor models had a 10 hole and 12 hole MFD Axle. Please verify with customer before ordering.

ADDITIONAL INFORMATION:

- Above Wheels are painted with a Silver Mist Rim and Black Disc.

Waffle Wheels for Case-IH MXM, MAXXUM & PUMA Series



8 Holes on 12.992" B.C. & 11.440" Pilot with .687 Bolt Holes, 75.67" Hub / Hub

Wheel Size	Tractor Model	Tread Widths Achieved by Wheel in Various Positions								Stock Number
		1	2	3	4	5	6	7	8	
13 x 28	MXM120*, MXM130*, MXM140*, Maxxum 110, 115, 120, 125, 130, 140 MFWD Front	62.05	66.04	70.05	74.04	78.05	82.04	86.05	90.04	16419SM
15 x 28										16420SM
13 x 30										16421SM
10 x 38										16428SM

8 Holes on 15.944" B.C. & 14.271" Pilot with .687 Bolt Holes, 74.80" Hub / Hub

Wheel Size	Tractor Model	Tread Widths Achieved by Wheel in Various Positions								Stock Number
		1	2	3	4	5	6	7	8	
13 x 28	MXM120*, MXM130*, MXM140*, MXM155, MXM175, MXM190, PUMA 115, 125, 130, 140, 145, 155, 160, 165, 170, 180, 185, 195, 200, 210, 215, 225, 230	61.18	65.17	69.18	73.17	77.18	81.17	85.18	89.17	16435SM
15 x 28										16436SM
13 x 30										16437SM
15 x 30										16438SM
13 x 34										16440SM
10 x 38										16442SM

8 Holes on 8.000" B.C. & 5.510" Pilot with .781 Bolt Holes, 73.62" Hub / Hub

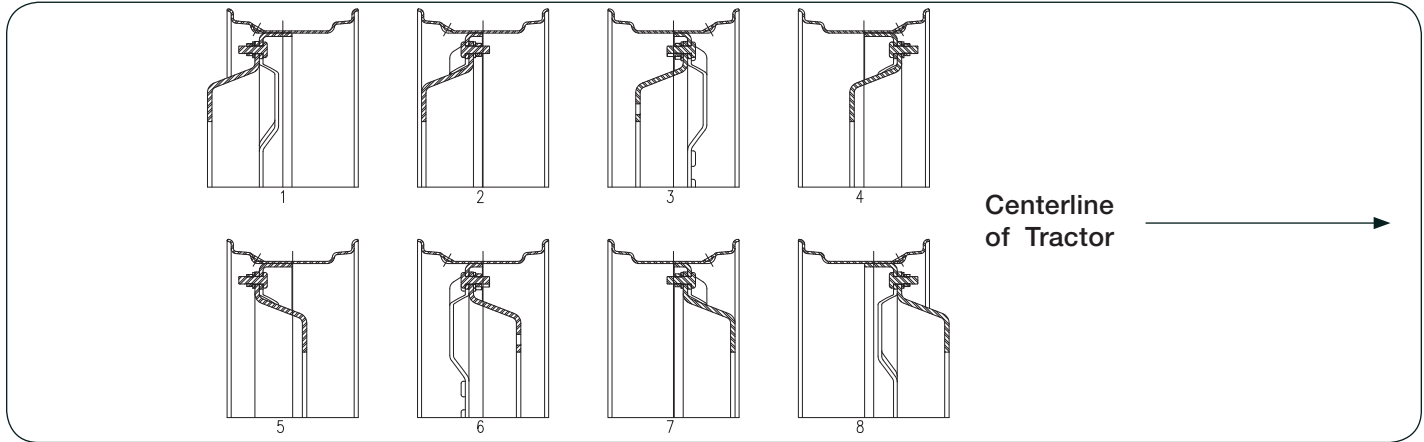
Wheel Size	Tractor Model	Tread Widths Achieved by Wheel in Various Positions								Stock Number
		1	2	3	4	5	6	7	8	
16 x 38	Maxxum 110, 115, 120, 125, 130, 140 MXM120, MXM130 Rear Flange Axle	60	64.24	68	72.24	76	80.24	84	88.24	16423SM
18 x 38										16424SM
13 x 46										16553SM
10 x 54										16426SM

* These tractor models are available with either 8 on 12.992 or 8 on 15.944. Please verify with customer before ordering.

ADDITIONAL INFORMATION:

- Above Wheels are painted Silver Mist.

Waffle Wheels for Case-IH MXM, MAXXUM & PUMA Series



8 Holes on 10.826" B.C. & 8.710" Pilot with .843 Bolt Holes, 73.62" Hub / Hub

Wheel Size	Tractor Model	Tread Widths Achieved by Wheel in Various Positions								Stock Number
		1	2	3	4	5	6	7	8	
16 x 38	Maxxum 110, 115, 120, 125, 130, 140, PUMA 115, 125, 140, 155, MXM120, MXM130, MXM140, MXM155 Rear Bar Axle w/ Hub; PUMA 115, 125, 140, 155, MXM140, MXM155 Rear Flange Axle	60	64.24	68	72.24	76	80.24	84	88.24	16329SM
18 x 38										16330SM
16 x 42										16333SM
18 x 42										16334SM
13 x 46										16552SM
10 x 54	16342SM									

10 Holes on 13.189" B.C. & 11.060" Pilot with .906 Bolt Holes, 74.00" Hub / Hub

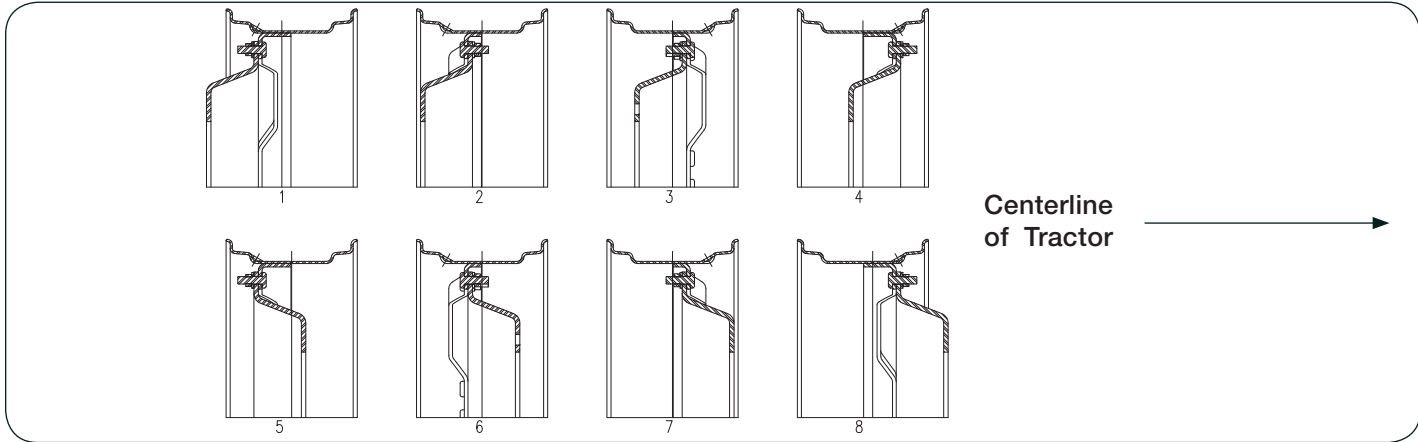
Wheel Size	Tractor Model	Tread Widths Achieved by Wheel in Various Positions								Stock Number
		1	2	3	4	5	6	7	8	
10 x 54	MXM175, MXM190 Rear Bar Axle w/Hub, PUMA 165, 180, 195, 210	57.5	61.68	71.25	75.44	73.5	77.68	87.25	91.44	16351SM
12 x 54										17290SM

* These tractor models are available with either 8 on 12.992 or 8 on 15.944. Please verify with customer before ordering.

ADDITIONAL INFORMATION:

- Above Wheels are painted Silver Mist.

Waffle Wheels for John Deere MFWD



12 Holes on 16.732" B.C. & 14.625" Pilot with .843 Bolt Holes, 74.25" Hub / Hub

Wheel Size	Tractor Model	Tread Widths Achieved by Wheel in Various Positions								Stock Number
		1	2	3	4	5	6	7	8	
13 x 28	7200R*, 7215R*, 7230R, 7260R, 7280R, 7330**, 7430**, 7630*, 7720**, 7730*, 7820**, 7830*, 7920, 7930, 8000/8010, 8020 Series, 8030 Series 8225R, 8235R, 8245R, 8260R, 8270R, 8285R, 8295R, 8310R, 8320R, 8335R, 8345R, 8360R	60.63	64.62	68.63	72.62	76.63	80.62	84.63	88.62	16311Y
15 x 28		16312Y								
18 x 28		N/A	N/A	N/A	72.62	76.63	80.62	84.63	88.62	16331Y
13 x 30		16313Y								
15 x 30		16314Y								
20 x 30		16309Y								
10 x 34		16315Y								
13 x 34		60.63	64.62	68.63	72.62	76.63	80.62	84.63	88.62	16316Y
15 x 34		16317Y								
10 x 38		16294Y								
12 x 38		16295Y								
10 x 42		16346Y								

10 Holes on 13.189" B.C. & 11.060" Pilot with .843 Bolt Holes, 74.00" Hub / Hub (6170R, 6190R, 6210R, 7200, 7400, 7210, 7410, 7220, 7320, 7420, 7520 - 70" Hub / Hub)

Wheel Size	Tractor Model	Tread Widths Achieved by Wheel in Various Positions								Stock Number
		1	2	3	4	5	6	7	8	
10 x 28	6140R, 6150M, 6150R, 6170R, 6190R, 6210R, 7130, 7200*, 7200R, 7215R, 7230, 7330**, 7400*, 7430**, 7600, 7630*, 7700, 7730*, 7800, 7830*, 7210*, 7410*, 7510, 7610, 7710, 7810, 7220*, 7320*, 7420, 7520, 7720**, 7820**	60.38	64.37	68.38	72.37	76.38	80.37	84.38	88.37	16320Y
12 x 28		16321Y								
13 x 28		16322Y								
15 x 28		16323Y								
18 x 28		N/A	N/A	N/A	72.37	76.38	80.37	84.38	88.37	16332Y
13 x 30		16324Y								
15 x 30		16325Y								
20 x 30		60.38	64.37	68.38	72.37	76.38	80.37	84.38	88.37	16308Y
10 x 34		16326Y								
13 x 34		16327Y								
15 x 34		16328Y								
10 x 38		16305Y								
12 x 38		60.38	64.56	68.38	72.56	76.38	80.56	84.38	88.56	16306Y
10 x 42		16345Y								
12 x 54		17290Y								

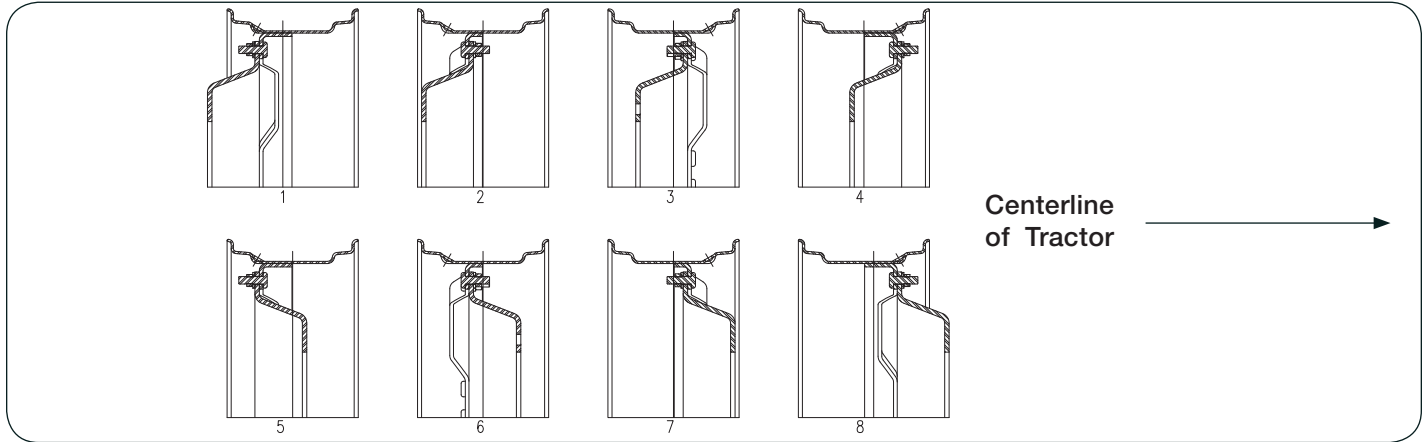
* These tractor models had a 8 hole and 10 hole MFD Axle. Please verify with customer before ordering.

** These tractor models had a 10 hole and 12 hole MFD Axle. Please verify with customer before ordering.

ADDITIONAL INFORMATION:

- Above Wheels are painted Yellow.

Waffle Wheels for John Deere MFWD



12 Holes on 16.732" B.C. & 14.625" Pilot with .906 Bolt Holes, 74.00" Hub / Hub

Wheel Size	Tractor Model	Tread Widths Achieved by Wheel in Various Positions								Stock Number	
		1	2	3	4	5	6	7	8		
13 x 28	4555, 4755, 4955, 4560, 4760, 4960	60.38	64.37	68.38	72.37	76.38	80.37	84.38	88.37	16287Y	
15 x 28										16288Y	
18 x 28		N/A	N/A	N/A	72.37	76.38	80.37	84.38	88.37	16307Y	
13 x 30											16289Y
15 x 30											16290Y
20 x 30											16319Y
10 x 34											16291Y
13 x 34			60.38	64.37	68.38	72.37	76.38	80.37	84.38	88.37	16292Y
15 x 34											16293Y
10 x 38											16294Y
12 x 38											16295Y
10 x 42											16346Y

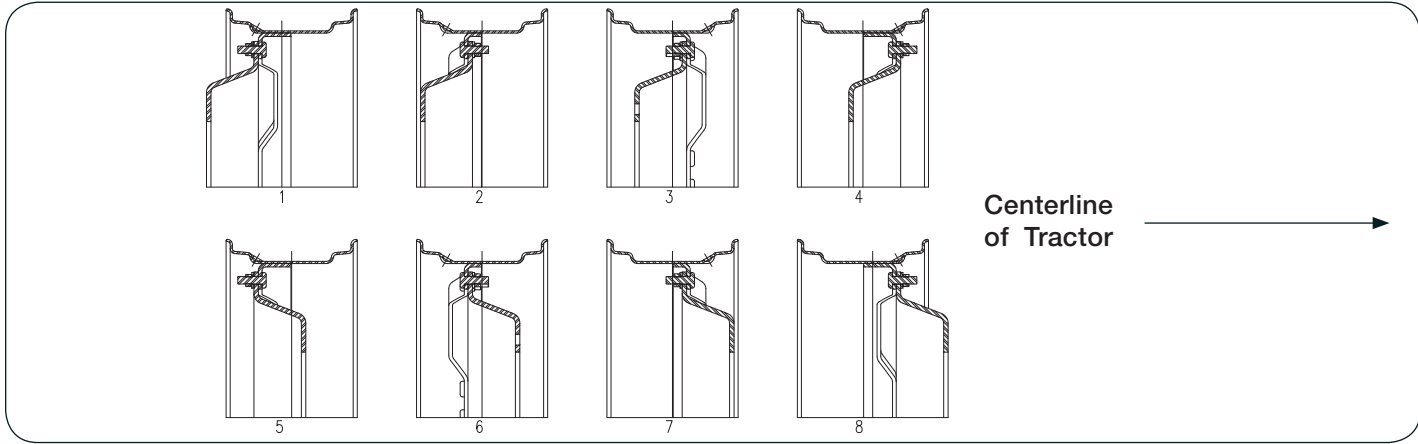
10 Holes on 13.189" B.C. & 11.060" Pilot with .906 Bolt Holes, 72.25" Hub / Hub

Wheel Size	Tractor Model	Tread Widths Achieved by Wheel in Various Positions								Stock Number	
		1	2	3	4	5	6	7	8		
10 x 28	4055, 4255, 4455	58.63	62.62	66.63	70.62	74.63	78.62	82.63	86.62	16296Y	
12 x 28										16297Y	
13 x 28										16298Y	
15 x 28											16299Y
18 x 28		N/A	N/A	N/A	70.62	74.63	78.62	82.63	86.62		16310Y
13 x 30											16300Y
15 x 30											16301Y
20 x 30			58.63	62.62	66.63	70.62	74.63	78.62	82.63	86.62	16318Y
10 x 34											16302Y
13 x 34											16303Y
15 x 34											16304Y
10 x 38											16305Y
12 x 38		58.38	62.56	66.38	70.56	74.38	78.56	82.38	86.56	16306Y	
10 x 42	16345Y										
12 x 54	17290Y										

ADDITIONAL INFORMATION:

- Above Wheels are painted Yellow.

Waffle Wheels for John Deere MFWD



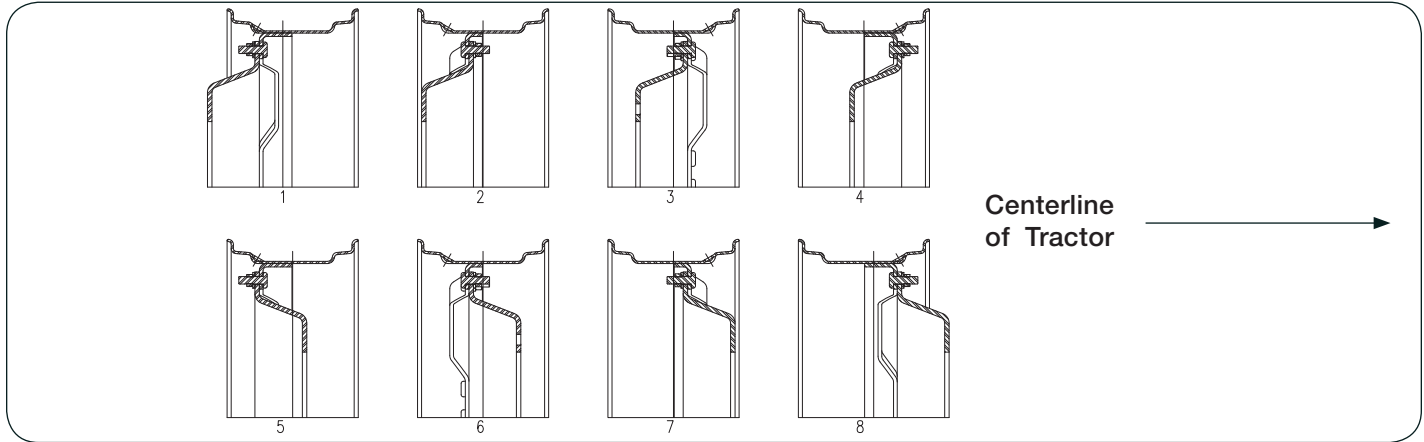
12 Holes on 19.685" B.C. & 17.631" Pilot with .906 Bolt Holes, 74.25" Hub / Hub

Wheel Size	Tractor Model	Tread Widths Achieved by Wheel in Various Positions								Stock Number
		1	2	3	4	5	6	7	8	
10 x 34	8320R*, 8345R*, 8370R*	60.63	64.62	68.63	72.62	76.63	80.62	84.63	88.62	110060Y
13 x 34										110061Y
15 x 34										110062Y
10 x 38										110063Y
12 x 38										110064Y
10 x 42										110066Y

ADDITIONAL INFORMATION:

- Above Wheels are painted Yellow.

Waffle Wheels for John Deere Tractors (8-Holes)



8 Holes on 10.826" B.C. & 8.710" Pilot with .843 Bolt Holes, 69.875" Hub / Hub

Wheel Size	Tractor Model	Tread Widths Achieved by Wheel in Various Positions								Stock Number
		1	2	3	4	5	6	7	8	
10 x 38	7200*, 7210*, 7400*, 7410*, 7220*, 7320* MFWD Front	56.26	60.50	64.26	68.50	72.26	76.50	80.26	84.50	16343Y
12 x 38										16344Y
10 x 46										16338Y
10 x 50										16340Y

8 Holes on 10.826" B.C. & 8.710" Pilot with .843 Bolt Holes, 65.50" Hub / Hub

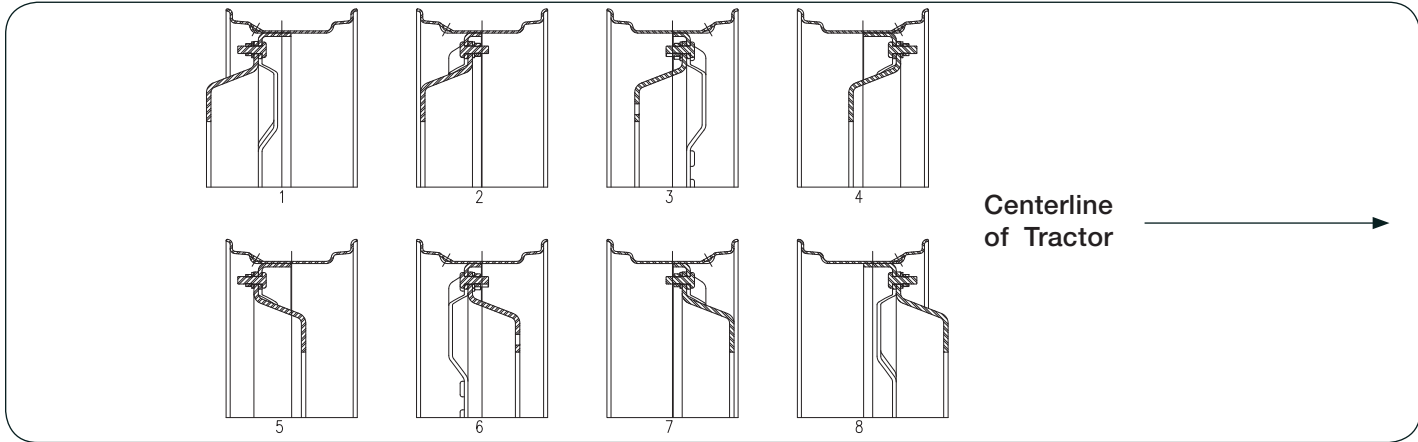
Wheel Size	Tractor Model	Tread Widths Achieved by Wheel in Various Positions								Stock Number
		1	2	3	4	5	6	7	8	
16 x 38	7200, 7210, 7400, 7410, 7220, 7320, 7420, 7520 Flange Axle Rear	51.88	56.12	59.88	64.12	67.88	72.12	75.88	80.12	16329Y
18 x 38										16330Y
16 x 42										16333Y
18 x 42										16334Y
10 x 46										16338Y
13 x 46										16552Y
10 x 50										16340Y
12 x 50										16341Y
10 x 54										16342Y

* These tractor models had a 8 hole and 10 hole MFD Axle. Please verify with customer before ordering.

ADDITIONAL INFORMATION:

- Above Wheels are painted Yellow.

Waffle Wheels for New Holland MFWD



12 Holes on 16.732" B.C. & 14.625" Pilot with .906 Bolt Holes, 74.25" Hub / Hub

Wheel Size	Tractor Model	Tread Widths Achieved by Wheel in Various Positions								Stock Number
		1	2	3	4	5	6	7	8	
13 x 28	70A Series (Genesis)	60.63	64.62	68.63	72.62	76.63	80.62	84.63	88.62	16287W
15 x 28										16288W
18 x 28										16307W
13 x 30										16289W
15 x 30										16290W
20 x 30										16319W
10 x 34										16291W
13 x 34										16292W
15 x 34										16293W
10 x 38										16294W
12 x 38										16295W
10 x 42										16346W

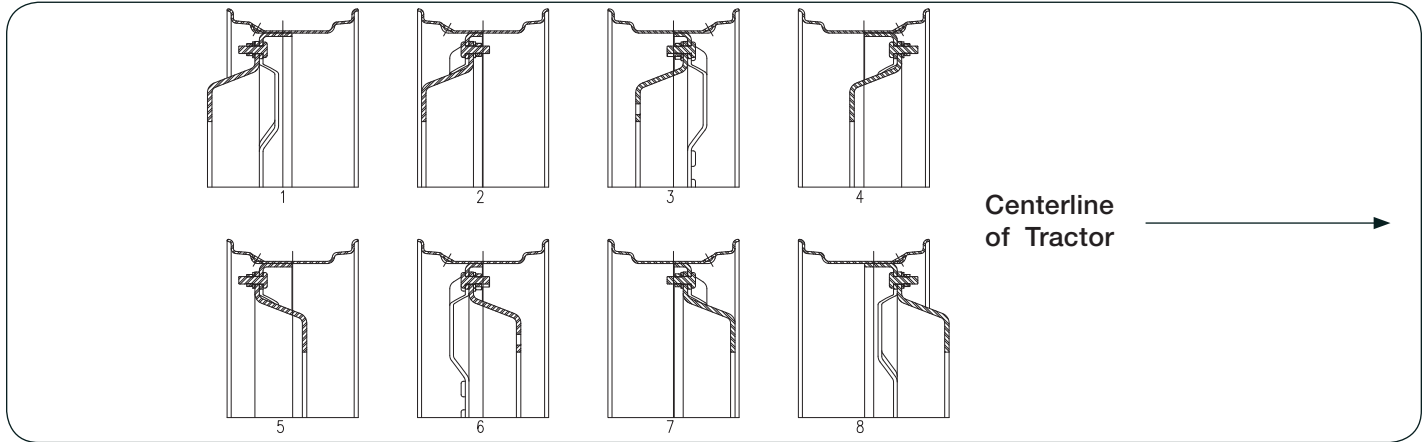
10 Holes on 13.187" B.C. & 11.060" Pilot with .906 Bolt Holes, 74.25" Hub / Hub

Wheel Size	Tractor Model	Tread Widths Achieved by Wheel in Various Positions								Stock Number
		1	2	3	4	5	6	7	8	
10 x 28	70 Series (Genesis)	60.63	64.62	68.63	72.62	76.63	80.62	84.63	88.62	16320W
12 x 28										16321W
13 x 28										16322W
15 x 28										16323W
18 x 28										16332W
13 x 30										16324W
15 x 30										16325W
20 x 30										16308W
10 x 34										16326W
13 x 34										16327W
15 x 34										16328W
10 x 38										16305W
12 x 38		16306W								
10 x 42		16345W								
12 x 54		17290W								
		60.38	64.56	68.38	72.56	76.38	80.56	84.38	88.56	

ADDITIONAL INFORMATION:

- Above Wheels are painted White.

Waffle Wheels for New Holland TG Series MFWD



12 Holes on 16.732" B.C. & 14.625" Pilot with .843 Bolt Holes, 74.25" Hub / Hub

Wheel Size	Tractor Model	Tread Widths Achieved by Wheel in Various Positions								Stock Number
		1	2	3	4	5	6	7	8	
13 x 28	T8010*, T8020*, T8030, T8040, T8050, T8275*, T8.275*, T8300*, T8.300*, T8330, T8.330, T8360, T8.360, T8390, T8.390, TG215*, TG245*, TG255, TG275, TG285, TG305	60.63	64.62	68.63	72.62	76.63	80.62	84.63	88.62	16311W
15 x 28										16312W
18 x 28										16331W
13 x 30										16313W
15 x 30										16314W
20 x 30										16309W
10 x 34										16315W
13 x 34										16316W
15 x 34										16317W
10 x 38										16294W
12 x 38										16295W
10 x 42										16346W

10 Holes on 13.189" B.C. & 11.060" Pilot with .843 Bolt Holes, 74.00" Hub / Hub

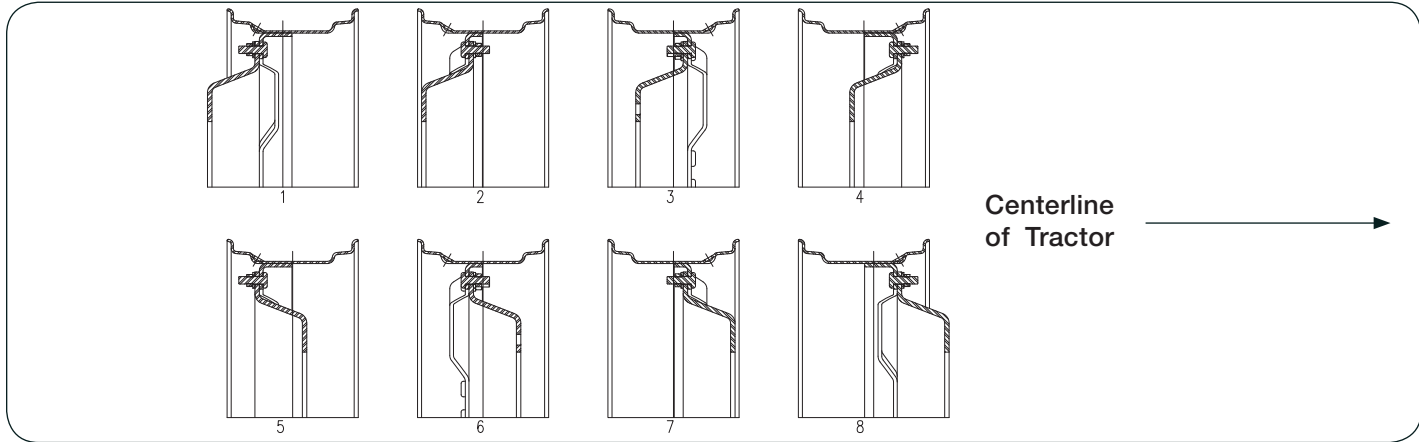
Wheel Size	Tractor Model	Tread Widths Achieved by Wheel in Various Positions								Stock Number
		1	2	3	4	5	6	7	8	
10 x 28	T8010*, T8020*, T8275*, T8.275*, T8300*, T8.300*, TG210, TG215*, TG230, TG245*	60.38	64.37	68.38	72.37	76.38	80.37	84.38	88.37	16320W
12 x 28										16321W
13 x 28										16322W
15 x 28										16323W
18 x 28										16332W
13 x 30										16324W
15 x 30										16325W
20 x 30										16308W
10 x 34										16326W
13 x 34										16327W
15 x 34										16328W
10 x 38										16305W
12 x 38										16306W
10 x 42										16345W
12 x 54										17290W

* These tractor models had a 10 hole and 12 hole MFD Axle. Please verify with customer before ordering.

ADDITIONAL INFORMATION:

- Above Wheels are painted White.

Waffle Wheels for New Holland TM Series



8 Holes on 12.992" B.C. & 11.440" Pilot with .687 Bolt Holes, 75.67" Hub / Hub

Wheel Size	Tractor Model	Tread Widths Achieved by Wheel in Various Positions								Stock Number
		1	2	3	4	5	6	7	8	
13 x 28	TM120*, TM130*, TM140* MFWD Front	62.05	66.04	70.05	74.04	78.05	82.04	86.05	90.04	16419W
15 x 28										16420W
13 x 30										16421W
10 x 38										16428W

8 Holes on 15.944" B.C. & 14.271" Pilot with .687 Bolt Holes, 74.80" Hub / Hub

Wheel Size	Tractor Model	Tread Widths Achieved by Wheel in Various Positions								Stock Number
		1	2	3	4	5	6	7	8	
13 x 28	T7.170, T7.185, T7.200, T7.210, T7.235, T7.250, T7.260, T7.270, T7030, T7040, T7050, T7060, T7070, TM120*, TM130*, TM140*, TM155, TM175, TM190 MFWD Front	61.18	65.17	69.18	73.17	77.18	81.17	85.18	89.17	16435W
15 x 28										16436W
13 x 30										16437W
15 x 30										16438W
13 x 34										16440W
10 x 38	61.18	65.42	69.18	73.42	77.18	81.42	85.18	89.42	16442W	

8 Holes on 8.000" B.C. & 5.510" Pilot with .781 Bolt Holes, 73.62" Hub / Hub

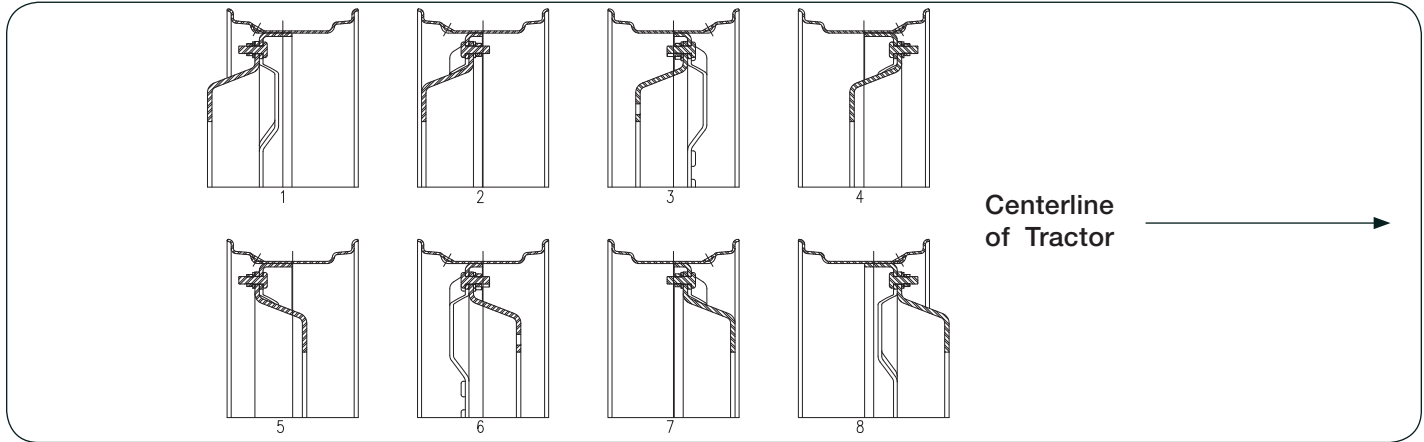
Wheel Size	Tractor Model	Tread Widths Achieved by Wheel in Various Positions								Stock Number
		1	2	3	4	5	6	7	8	
16 x 38	TM120, TM130 Rear Flange Axle	60	64.24	68	72.24	76	80.24	84	88.24	16423W
18 x 38										16424W
13 x 46										16553W
10 x 54										16426W

* These tractor models are available with either 8 on 12.992 or 8 on 15.944. Please verify with customer before ordering.

ADDITIONAL INFORMATION:

- Above Wheels are painted White.

Waffle Wheels for New Holland TM Series



8 Holes on 10.826" B.C. & 8.710" Pilot with .843 Bolt Holes, 73.62" Hub / Hub

Wheel Size	Tractor Model	Tread Widths Achieved by Wheel in Various Positions								Stock Number
		1	2	3	4	5	6	7	8	
16 x 38	TM120, TM130, TM140, TM155 Rear Bar Axle w/Hub; TM140, TM155 Rear Flange Axle	60	64.24	68	72.24	76	80.24	84	88.24	16329W
18 x 38										16330W
16 x 42										16333W
18 x 42										16334W
13 x 46										16552W
10 x 54										16342W

10 Holes on 13.189" B.C. & 11.060" Pilot with .906 Bolt Holes, 74.00" Hub / Hub

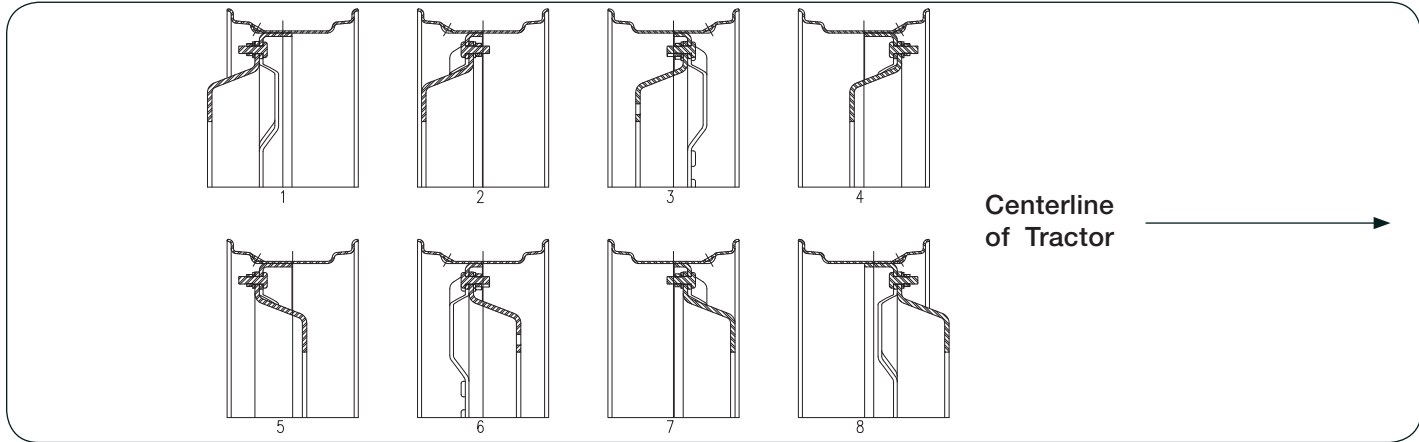
Wheel Size	Tractor Model	Tread Widths Achieved by Wheel in Various Positions								Stock Number
		1	2	3	4	5	6	7	8	
10 x 54	TM175, TM190 Rear Bar Axle w/ Hub	57.5	61.68	71.25	75.44	73.5	77.68	87.25	91.44	16351W

- * These tractor models are available with either 8 on 12.992 or 8 on 15.944. Please verify with customer before ordering.

ADDITIONAL INFORMATION:

- Above Wheels are painted White.

Waffle Wheels for Miscellaneous 8-Hole and 10-Hole



8 Holes on 10.826" B.C. & 8.710" Pilot with .843 Bolt Holes

Wheel Size	Offsets Achieved by Wheel in Various Positions								Stock Number
	Inset				Outset				
	1	2	3	4	5	6	7	8	
10 x 38									16343
12 x 38									16344
16 x 38									16329
18 x 38									16330
16 x 42									16333
18 x 42	6.81	4.69	2.81	0.69	1.19	3.31	5.19	7.31	16334
10 x 46									16338
13 x 46									16552
10 x 50									16340
12 x 50									16341
10 x 54									16342

8 Holes on 10.826" B.C. & 8.710" Pilot with .937 Bolt Holes (for McCormick)

Wheel Size	Offsets Achieved by Wheel in Various Positions								Stock Number
	Inset				Outset				
	1	2	3	4	5	6	7	8	
16 x 46	6.81	4.69	2.81	0.69	1.19	3.31	5.19	7.31	17051SM

10 Holes on 13.189" B.C. & 11.060" Pilot with .906 Bolt Holes

Wheel Size	Offsets Achieved by Wheel in Various Positions								Stock Number
	Inset				Outset				
	1	2	3	4	5	6	7	8	
10 x 46									16347
13 x 46									16554
10 x 50	6.81	4.72	2.81	0.72	1.19	3.28	5.19	7.28	16349
12 x 50									16350
10 x 54	8.25	6.16	1.37	.72 (outset)	.25 (inset)	1.84	6.63	8.72	16351
12 x 54	17.5	13.26	1.74	1.5	2.5	2.74	14.26	18.5	17290W

These wheels can be ordered according to color codes by adding the appropriate code to the Stock Number.

- Add: ACG = AGCO Corporate Gray
- SM = Silver Mist
- SMB = Silver Rim/Black Disc
- W = White
- Y = Yellow

Loose, Bolt-In Formed Discs for Waffle Wheels

This Disc Will Fit Most Waffle Wheels With This Diameter	Outside Bolt Circle of Disc	Inside Bolt Circle Specifications	Disc Thickness	Disc Offset	Approx. Weight	Stock Number
28" & 30"	23.25	10 Holes .8430 on 13.1890 B.C. w/11.0600 Pilot	.375"	4.00"	51 lbs.	16253B 16253W 16253Y
		10 Holes .9060 on 13.1890 B.C. w/11.0600 Pilot				16254ACG 16254SM 16254W 16254Y
		12 Holes .8430 on 16.7320 B.C. w/14.630 Pilot	.375"	4.00"	52 lbs.	16255B 16255W 16255Y
		12 Holes .9060 on 16.7320 B.C. w/14.630 Pilot				16256ACG 16256FR 16256SM 16256W 16256Y
34"	29.25	10 Holes .8430 on 13.1890 B.C. w/11.0600 Pilot	.375"	4.00"	72 lbs.	16257B 16257W 16257Y
		10 Holes .9060 on 13.1890 B.C. w/11.0600 Pilot				16258ACG 16258SM 16258W 16258Y
		12 Holes .8430 on 16.7320 B.C. w/14.630 Pilot	.375"	4.00"	68 lbs.	16259B 16259W 16259Y
		12 Holes .9060 on 16.7320 B.C. w/14.630 Pilot				16260ACG 16260FR 16260SM 16260W 16260Y
38", 42", 44", 46", 48", 50" & 54"	33.25	8 Holes .8430 on 10.8260 B.C. w/8.730 Pilot	.50"	4.00"	130 lbs.	16261ACG* 16261B* 6261SM* 16261W* 16261Y*
		10 Holes .9060 on 13.1890 B.C. w/11.0600 Pilot	.472"	4.00"	127 lbs.	16262ACG* 16262B* 16262SM* 16262W* 16262Y*
		12 Holes .9060 on 16.7320 B.C. w/14.630 Pilot	.375"	4.00"	92 lbs.	16263ACG* 16263B* 16263SM* 16263W* 16263Y*

* These discs have 6 wheel weight holes on a 25.787" bolt circle.

These discs can be ordered according to color codes by adding the appropriate code to the Stock Number.

Add: ACG = AGCO Corporate Gray
 SM = Silver Mist
 B = Black
 W = White
 Y = Yellow

Loose Waffle Wheels Rim Weldments

12 Holes .658 Sq. (4 Groups of 3) on 23.250" B.C. & 21.75" Pilot

Wheel Size	Disc		Approx. Weight	Stock Number
	Inset	Outset		
10 x 28	1.19"	2.81"	86 lbs.	16264
12 x 28			108 lbs.	16265
13 x 28			93 lbs.	16285
15 x 28			108 lbs.	16266
18 x 28			141 lbs.	16267
13 x 30			108 lbs.	16268
15 x 30			136 lbs.	16269
20 x 30			163 lbs.	16286

12 Holes .687 Sq. (4 Groups of 3) on 29.250" B.C. & 27.50" Pilot

Wheel Size	Disc		Approx. Weight	Stock Number
	Inset	Outset		
10 x 34	1.19"	2.81"	106 lbs.	16270
13 x 34			123 lbs.	16271
15 x 34			133 lbs.	16272

12 Holes .687 Sq. (4 Groups of 3) on 33.250" B.C. & 31.50" Pilot

Wheel Size	Disc		Approx. Weight	Stock Number		
	Inset	Outset				
10 x 38	1.19"	2.81"	120 lbs.	16273		
12 x 38			132 lbs.	16274		
16 x 38			180 lbs.	16275		
18 x 38			198 lbs.	16276		
10 x 42			180 lbs.	16284		
16 x 42			203 lbs.	16277		
18 x 42			216 lbs.	16278		
10 x 46			204 lbs.	16283		
13 x 46			229 lbs.	16551		
10 x 50			250 lbs.	16280		
12 x 50			270 lbs.	16281		
10 x 54			330 lbs.	16282		
10 x 54			2.63"	4.25"	330 lbs.	16614

12 Holes .687 Sq. (4 Groups of 3) on 33.250" B.C. & 11.440" Pilot

Wheel Size	Disc		Approx. Weight	Stock Number
	Inset	Outset		
16 x 46	1.17"	2.80"	136 lbs.	17050SM

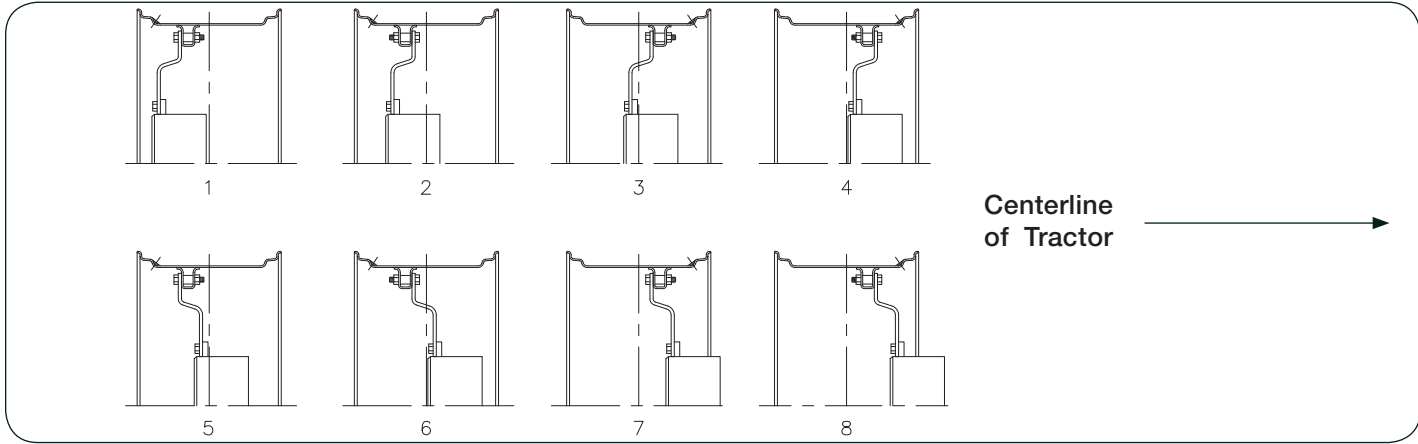
These discs can be ordered according to color codes by adding the appropriate code to the Stock Number.

Add: ACG = AGCO Corporate Gray
 FR = Fendt Red
 SM = Silver Mist
 W = White
 Y = Yellow

Waffle Wheel Hardware

Description	Approx. Weight	Stock Number
M16x2.0x50mm C10.9, Round Head, Square Neck Bolt	.315 lb.	98386
M16 Flat Washer	.05 lb.	98387
M16-2.0P C10, Hex Nut	.08 lb.	98388

RCDW Wheels for AGCO, Challenger, Fendt and Massey Ferguson MFWD



12 Holes on 16.732" B.C. & 14.625" Pilot with .937 Bolt Holes, 74.50" Hub / Hub

Wheel Size	Tractor Model	Tread Widths Achieved by Wheel in Various Positions								Stock Number
		1	2	3	4	5	6	7	8	
13 x 28	DT200, DT220A, DT225, DT240A, MT655, MT665, Fendt 900 Series, MF8270, MF8280, MF8470, MF8480	61.5	65.37	68.37	72.25	77.5	81.37	84.37	88.25	16071ACG
15 x 28										16072ACG
13 x 30										16073ACG
15 x 30										16074ACG
10 x 34		62.25	66.38	67.62	71.75	78.25	82.38	83.62	87.75	16075ACG
13 x 34		61.5	65.62	68.37	72.5	77.5	81.62	84.37	88.5	16067ACG
15 x 34										16076ACG
10 x 38		61.88	66	68	72.12	77.88	82	84	88.12	16077ACG
12 x 38	16154ACG									

10 Holes on 13.187" B.C. & 11.060" Pilot with .937 Bolt Holes, 74.50" Hub / Hub

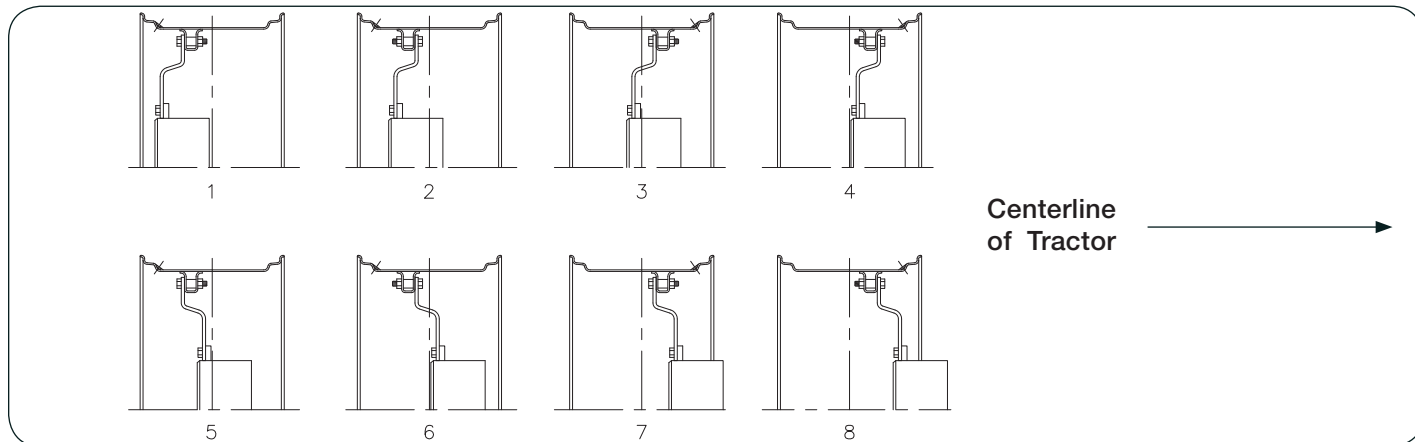
Wheel Size	Tractor Model	Tread Widths Achieved by Wheel in Various Positions								Stock Number
		1	2	3	4	5	6	7	8	
13 x 28	RT130, RT145, DT160, DT180, DT180A, DT200A, MT545, MT565, MT635, MT645, 712*, 714*, 716*, 815, 817, 818, MF 8220, 8240, 8245, 8250, 8260, 8450, 8460	61.5	65.37	68.37	72.25	77.5	81.37	84.37	88.25	16140ACG
15 x 28										16141ACG
13 x 30										16142ACG
15 x 30										16143ACG
10 x 34		62.25	66.38	67.62	71.75	78.25	82.38	83.62	87.75	16144ACG
13 x 34		61.5	65.62	68.37	72.5	77.5	81.62	84.37	88.5	16145ACG
15 x 34										16146ACG
10 x 38		61.88	66	68	72.12	77.88	82	84	88.12	16147ACG
12 x 38	16153ACG									

* These tractor models had a 8 hole and 10 hole MFD Axle. Please verify with customer before ordering.

ADDITIONAL INFORMATION:

- Above Wheels are painted AGCO Corporate Gray.

RCDW Wheels for AGCO, Challenger, Fendt and Massey Ferguson MFWD



12 Holes on 16.732" B.C. & 14.625" Pilot with .937 Bolt Holes, 74.50" Hub / Hub

Wheel Size	Tractor Model	Wheel Offset		Tread Width with Wheel discher IN	Tread Width with Wheel discher OUT	Stock Number
		Inset	Outset			
18 x 28	DT200, DT220A, DT225, DT240A,	6.875"	7.25"	60.75"	89"	16150ACG
15 x 34	MT655, MT665, Fendt 900 Series,	8.50"	9.00"	57.50"	92.50"	16044ACG
12 x 38	MF 8270, 8280, 8470, 8480	7.125"	7.625"	60.25"	89.75"	16046ACG

10 Holes on 13.187" B.C. & 11.060" Pilot with .937 Bolt Holes, 74.50" Hub / Hub

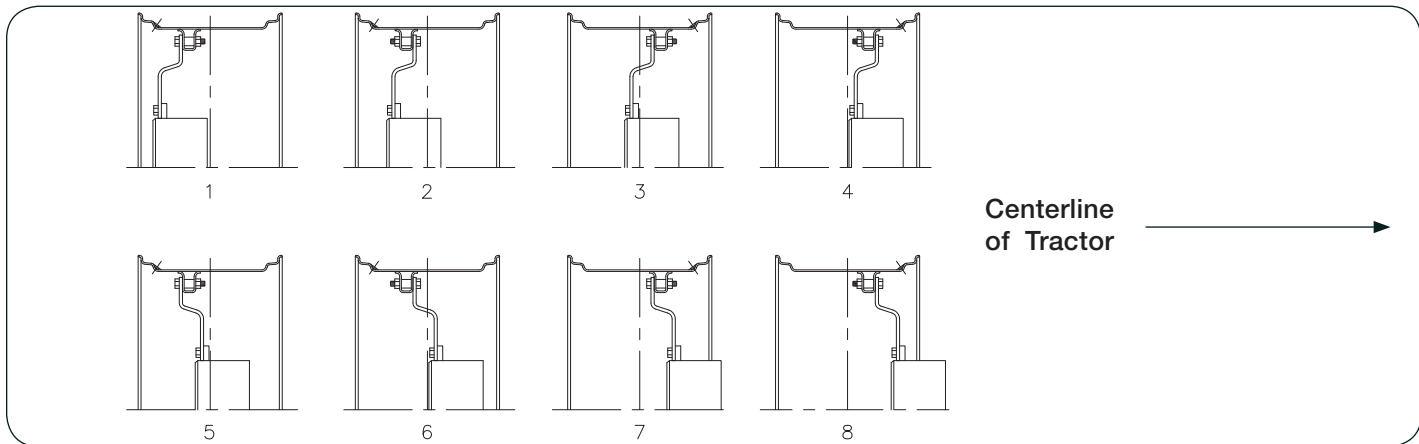
Wheel Size	Tractor Model	Wheel Offset		Tread Width with Wheel discher IN	Tread Width with Wheel discher OUT	Stock Number
		Inset	Outset			
18 x 28	RT130, RT145, DT160, DT180, DT180A, DT200A, MT545, MT565, MT635, MT645, 712*, 714*, 716*, 815, 817, 818, MF 8220, 8240, 8245, 8250, 8260, 8450, 8460	6.875"	7.25"	60.75"	89"	16151ACG

* These tractor models had a 8 hole and 10 hole MFD Axle. Please verify with customer before ordering.

ADDITIONAL INFORMATION:

- Above Wheels are painted AGCO Corporate Gray.

RCDW Wheels for Case-IH MFWD



12 Holes on 16.732" B.C. & 14.625" Pilot with .843 Bolt Holes, 74.25" Hub / Hub

Wheel Size	Tractor Model	Tread Widths Achieved by Wheel in Various Positions								Stock Number
		1	2	3	4	5	6	7	8	
13 x 28	MX210**, MX215**, MX230**, MX240, MX245**, MX255, MX270, MX275, MX285, MX305	61.25	65.12	68.12	72	77.25	81.12	84.12	88	14971SM
15 x 28										14973SM
13 x 30										13298SM
15 x 30		14969SM								
10 x 34		62	66.13	67.37	71.5	78	82.13	83.37	87.5	15086SM
13 x 34		61.25	65.37	68.12	72.25	77.25	81.37	84.12	88.25	14975SM
15 x 34										14977SM
10 x 38		61.63	65.75	67.75	71.87	77.63	81.75	83.75	87.87	14979SM
12 x 38										16156SM

10 Holes on 13.187" B.C. & 11.060" Pilot with .843 Bolt Holes, 74.00" Hub / Hub

Wheel Size	Tractor Model	Tread Widths Achieved by Wheel in Various Positions								Stock Number
		1	2	3	4	5	6	7	8	
13 x 28	8900 Series, MX150*, MX170*, MX180, MX200, MX210**, MX215**, MX220, MX230**, MX245**	61	64.87	67.87	71.75	77	80.87	83.87	87.75	15041SM
15 x 28										15042SM
13 x 30										15043SM
15 x 30										15044SM
10 x 34		61.75	65.88	67.12	71.25	77.75	81.88	83.12	87.25	15087SM
13 x 34		61	65.12	67.87	72	77	81.12	83.87	88	15045SM
15 x 34										15046SM
10 x 38		61.38	65.5	67.5	71.63	77.38	81.5	83.5	87.63	15047SM
12 x 38										16155SM

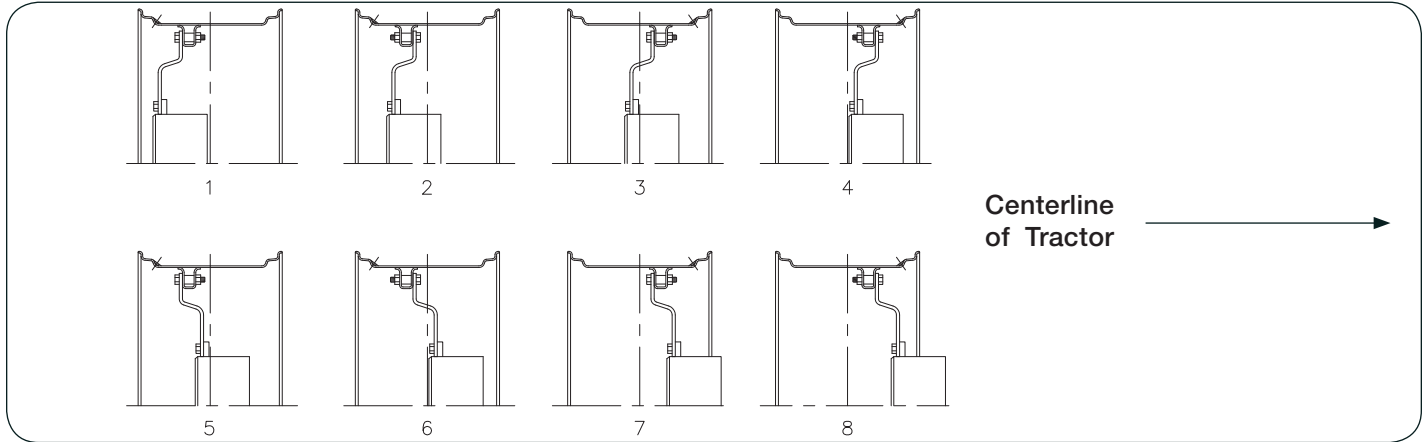
* The H/H for these Models is 75.0". Add 1" to Tread Widths Listed to obtain Tread Widths for these Models.

** These tractor models had a 10 hole and 12 hole MFD Axle. Please verify with customer before ordering.

ADDITIONAL INFORMATION:

- Above Wheels are painted with a Silver Mist Rim and Black Disc.

RCDW Wheels for Case-IH MFWD



12 Holes on 16.732" B.C. & 14.625" Pilot with .843 Bolt Holes, 74.25" Hub / Hub

Wheel Size	Tractor Model	Wheel Offset		Tread Width with Wheel discher IN	Tread Width with Wheel discher OUT	Stock Number
		Inset	Outset			
18 x 28	MX210**, MX215**, MX230**, MX240, MX245**, MX255, MX270, MX275, MX285, MX305	6.875"	7.25"	60.5"	88.75"	14966SM

10 Holes on 13.187" B.C. & 11.060" Pilot with .843 Bolt Holes, 74.00" Hub / Hub

Wheel Size	Tractor Model	Wheel Offset		Tread Width with Wheel discher IN	Tread Width with Wheel discher OUT	Stock Number
		Inset	Outset			
18 x 28	8900 Series, MX150*, MX170*, MX180, MX200, MX210**, MX215**, MX220, MX230**, MX245**	6.875"	7.25"	60.25"	88.5"	15084SM

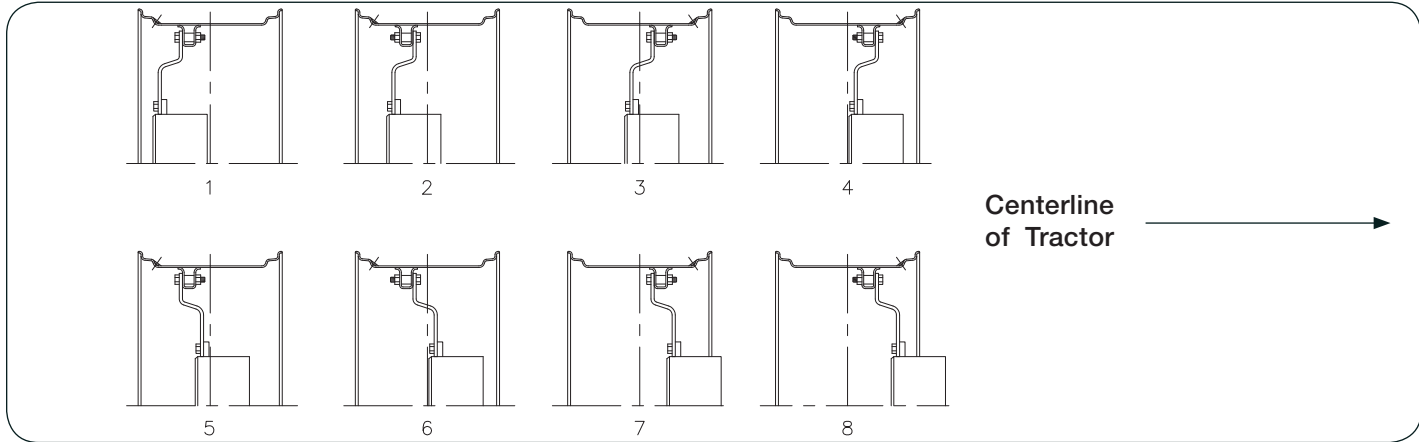
* The H/H for these Models is 75.0". Add 1" to Tread Widths Listed to obtain Tread Widths for these Models.

** These tractor models had a 10 hole and 12 hole MFD Axle. Please verify with customer before ordering.

ADDITIONAL INFORMATION:

- Above Wheels are painted with a Silver Mist Rim and Black Disc.

RCDW Wheels for John Deere MFWD



12 Holes on 16.732" B.C. & 14.625" Pilot with .843 Bolt Holes, 74.25" Hub / Hub

Wheel Size	Tractor Model	Tread Widths Achieved by Wheel in Various Positions								Stock Number
		1	2	3	4	5	6	7	8	
13 x 28	7330**, 7430*, 7630**, 7720**, 7730**, 7820**, 7830**, 7920, 7930, 8000 / 8010, 8020 Series, 8030 Series	61.25	65.12	68.12	72	77.25	81.12	84.12	88	14971Y
15 x 28										14973Y
13 x 30										13298Y
15 x 30										14969Y
10 x 34		62	66.13	67.37	71.5	78	82.13	83.37	87.5	15086Y
13 x 34		61.25	65.37	68.12	72.25	77.25	81.37	84.12	88.25	14975Y
15 x 34										14977Y
10 x 38										14979Y
12 x 38										16156Y

10 Holes on 13.189" B.C. & 11.060" Pilot with .843 Bolt Holes, 74.00" Hub / Hub (7200, 7400, 7210, 7410, 7220, 7320, 7420, 7520 - 70" Hub / Hub)

Wheel Size	Tractor Model	Tread Widths Achieved by Wheel in Various Positions								Stock Number
		1	2	3	4	5	6	7	8	
13 x 28	7130, 7200*, 7210*, 7220*, 7230, 7320*, 7330**, 7400*, 7410*, 7420, 7430**, 7510, 7520, 7600, 7610, 7630**, 7700, 7710, 7720**, 7730**, 7800, 7810, 7820**, 7830**	61	64.87	67.87	71.75	77	80.87	83.87	87.75	15041Y
15 x 28										15042Y
13 x 30										15043Y
15 x 30										15044Y
10 x 34		61.75	65.88	67.12	71.25	77.75	81.88	83.12	87.25	15087Y
13 x 34		61	65.12	67.87	72	77	81.12	83.87	88	15045Y
15 x 34										15046Y
10 x 38										15047Y
12 x 38										16155Y

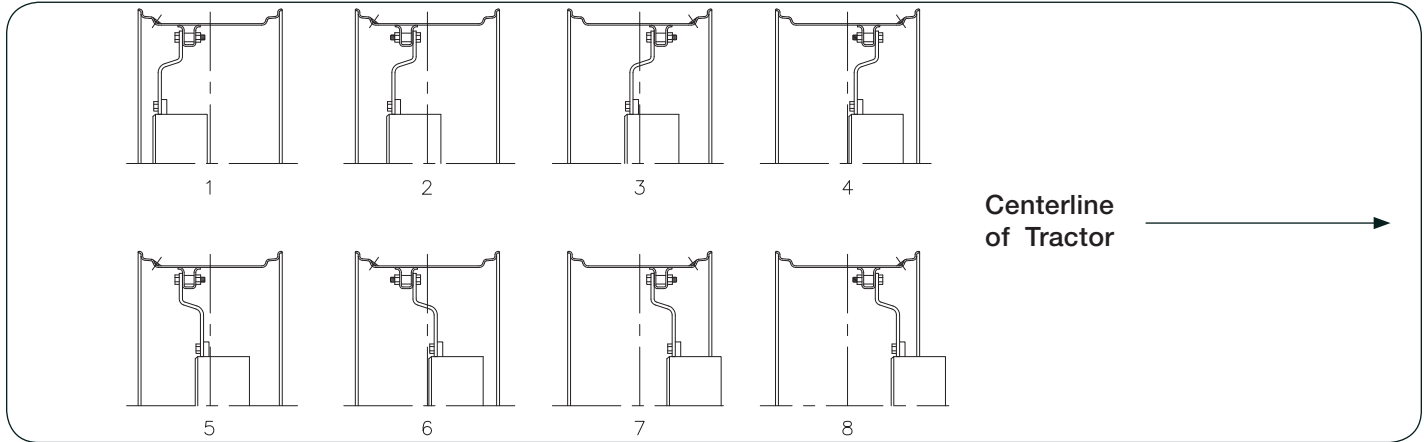
* These tractor models had a 8 hole and 10 hole MFD Axle. Please verify with customer before ordering.

** These tractor models had a 10 hole and 12 hole MFD Axle. Please verify with customer before ordering.

ADDITIONAL INFORMATION:

- Above Wheels are painted Yellow.

RCDW Wheels for John Deere MFWD



12 Holes on 16.732" B.C. & 14.625" Pilot with .843 Bolt Holes, 74.25" Hub / Hub

Wheel Size	Tractor Model	Wheel Offset		Tread Width with Wheel discher IN	Tread Width with Wheel discher OUT	Stock Number
		Inset	Outset			
18 x 28	7720**, 7820**, 7920, 8000/8010, 8020 Series, 8030 Series	6.875"	7.25"	60.5"	88.75"	14966Y

10 Holes on 13.189" B.C. & 11.060" Pilot with .843 Bolt Holes, 74.00" Hub / Hub (7200, 7400, 7210, 7410, 7220, 7320, 7420, 7520 - 70" Hub / Hub)

Wheel Size	Tractor Model	Wheel Offset		Tread Width with Wheel discher IN	Tread Width with Wheel discher OUT	Stock Number
		Inset	Outset			
18 x 28	7200*, 7400*, 7600, 7700, 7800, 7210*, 7410*, 7510, 7610, 7710, 7810, 7220*, 7320*, 7420, 7520, 7720**, 7820**	6.875"	7.25"	60.25"	88.5"	15084Y

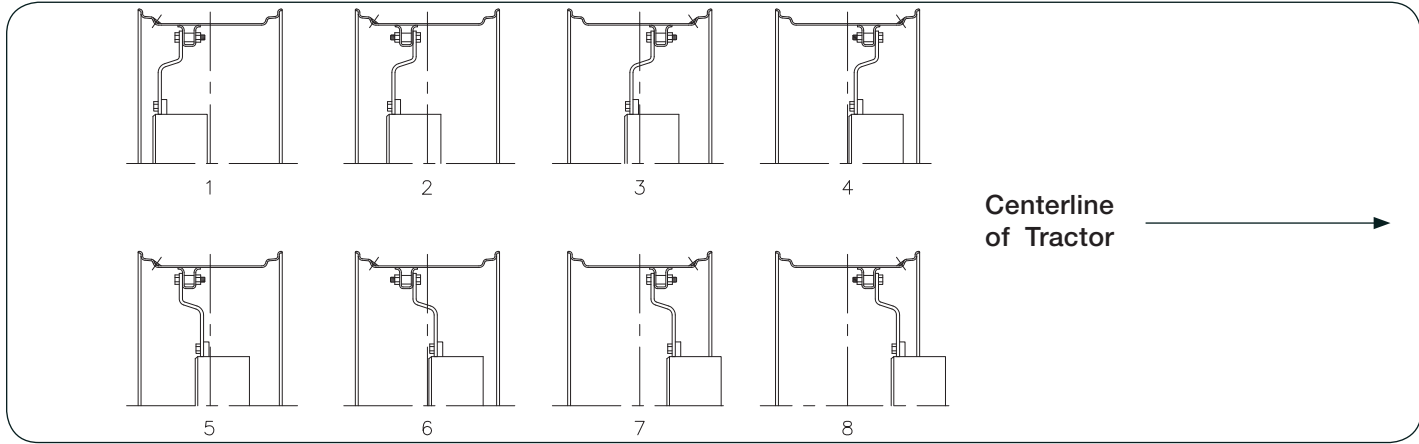
* These tractor models had a 8 hole and 10 hole MFD Axle. Please verify with customer before ordering.

** These tractor models had a 10 hole and 12 hole MFD Axle. Please verify with customer before ordering.

ADDITIONAL INFORMATION:

- Above Wheels are painted Yellow.

RCDW Wheels for John Deere MFWD



12 Holes on 16.732" B.C. & 14.625" Pilot with .906 Bolt Holes, 74.00" Hub / Hub

Wheel Size	Tractor Model	Tread Widths Achieved by Wheel in Various Positions								Stock Number
		1	2	3	4	5	6	7	8	
13 x 28	4555, 4755, 4955, 4560, 4760, 4960	61.0	64.87	67.87	71.75	77.0	80.87	83.87	87.80	16071Y
15 x 28										16072Y
13 x 30										16073Y
15 x 30										16074Y
10 x 34		61.75	65.88	67.12	71.25	77.75	81.88	83.12	87.30	16075Y
13 x 34		61.38	65.50	67.50	71.62	77.38	81.50	83.50	87.60	16067Y
15 x 34										16076Y
10 x 38										16077Y
12 x 38										16154Y

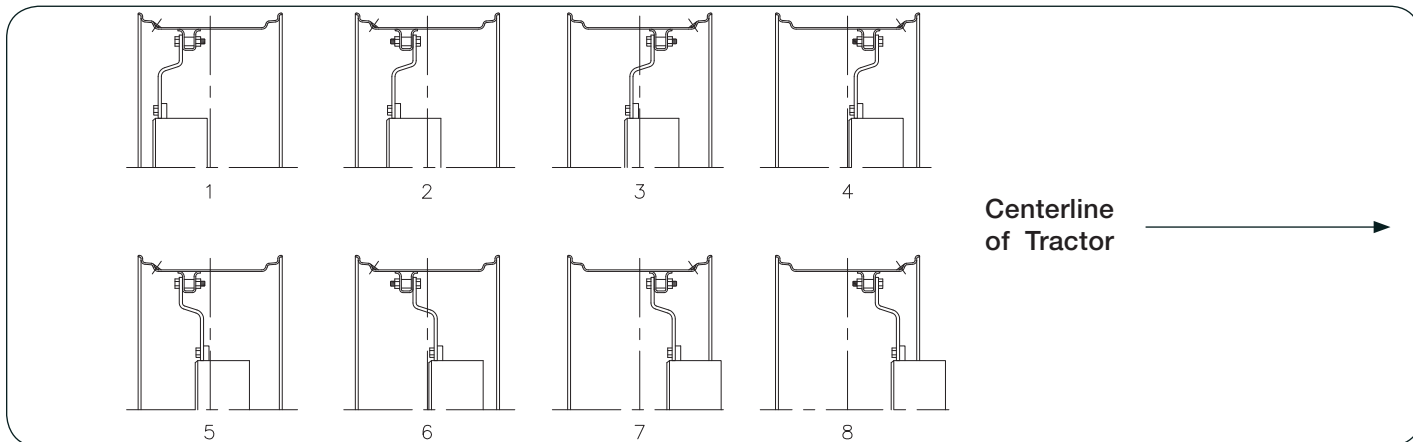
10 Holes on 13.189" B.C. & 11.060" Pilot with .906 Bolt Holes, 72.25" Hub / Hub

Wheel Size	Tractor Model	Tread Widths Achieved by Wheel in Various Positions								Stock Number
		1	2	3	4	5	6	7	8	
13 x 28	4055, 4255, 4455	59.50	63.37	66.37	70.25	75.50	79.37	82.37	86.25	16140Y
15 x 28										16141Y
13 x 30										16142Y
15 x 30										16143Y
10 x 34		60.25	64.38	65.62	69.75	76.25	80.38	81.62	85.75	16144Y
13 x 34		59.88	64.0	66.0	70.12	75.88	80.0	82.0	86.15	16145Y
15 x 34										16146Y
10 x 38										16147Y
12 x 38										16153Y

ADDITIONAL INFORMATION:

- Above Wheels are painted Yellow.

RCDW Wheels for John Deere MFWD



12 Holes on 16.732" B.C. & 14.625" Pilot with .906 Bolt Holes, 74.00" Hub / Hub

Wheel Size	Tractor Model	Wheel Offset		Tread Width with Wheel discher IN	Tread Width with Wheel discher OUT	Stock Number
		Inset	Outset			
18 x 28	4555, 4755, 4955, 4560, 4760, 4960	6.875"	7.25"	60.25	88.5	16150Y
15 x 34		8.50"	9.00"	57.0	92.0	16044Y
12 x 38		7.125"	7.625"	59.75	89.25	16046Y

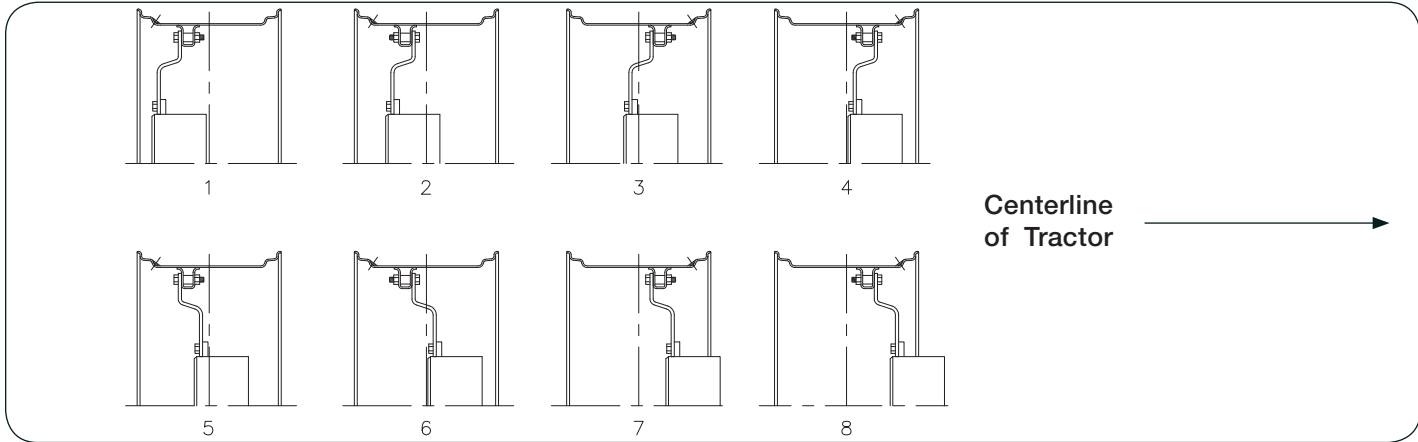
10 Holes on 13.189" B.C. & 11.060" Pilot with .906 Bolt Holes, 72.25" Hub / Hub

Wheel Size	Tractor Model	Wheel Offset		Tread Width with Wheel discher IN	Tread Width with Wheel discher OUT	Stock Number
		Inset	Outset			
18 x 28	4055, 4255, 4455	6.875"	7.25"	58.50"	86.75"	16151Y

ADDITIONAL INFORMATION:

- Above Wheels are painted Yellow.

RCDW Wheels for New Holland MFWD



12 Holes on 16.732" B.C. & 14.625" Pilot with .937 Bolt Holes, 74.25" Hub / Hub

Wheel Size	Tractor Model	Tread Widths Achieved by Wheel in Various Positions								Stock Number								
		1	2	3	4	5	6	7	8									
13 x 28	70A Series (Genesis)	61.25	65.12	68.12	72	77.25	81.12	84.12	88	16071W								
15 x 28										16072W								
13 x 30										16073W								
15 x 30										16074W								
10 x 34		62	66.13	67.37	71.5	78	82.13	83.37	87.5	16075W								
13 x 34		61.25	65.37	68.12	72.25	77.25	81.37	84.12	88.25	16067W								
15 x 34										16076W								
10 x 38										61.63	65.75	67.75	71.87	77.63	81.75	83.75	87.87	16077W
12 x 38																		16154W

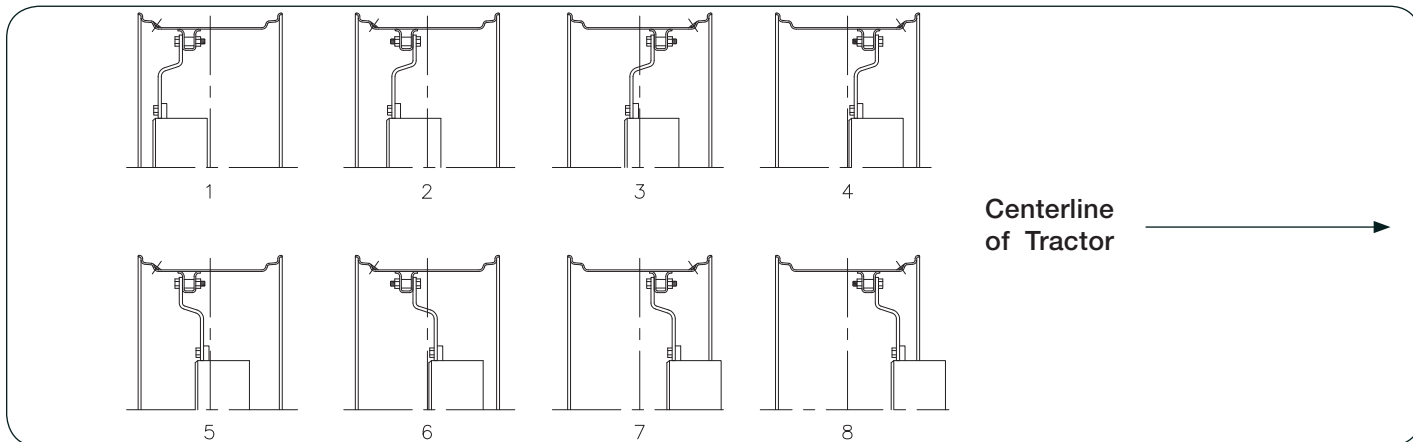
10 Holes on 13.187" B.C. & 11.060" Pilot with .843 Bolt Holes, 74.25" Hub / Hub

Wheel Size	Tractor Model	Tread Widths Achieved by Wheel in Various Positions								Stock Number								
		1	2	3	4	5	6	7	8									
13 x 28	70 Series (Genesis)	61.25	65.12	68.12	72	77.25	81.12	84.12	88	15041W								
15 x 28										15042W								
13 x 30										15043W								
15 x 30										15044W								
10 x 34		62	66.13	67.37	71.5	78	82.13	83.37	87.5	15087W								
13 x 34		61.25	65.37	68.12	72.25	77.25	81.37	84.12	88.25	15045W								
15 x 34										15046W								
10 x 38										61.63	65.75	67.75	71.87	77.63	81.75	83.75	87.87	15047W
12 x 38																		16155W

ADDITIONAL INFORMATION:

- Above Wheels are painted White.

RCDW Wheels for New Holland MFWD



12 Holes on 16.732" B.C. & 14.625" Pilot with .937 Bolt Holes, 74.25" Hub / Hub

Wheel Size	Tractor Model	Wheel Offset		Tread Width with Wheel discher IN	Tread Width with Wheel discher OUT	Stock Number
		Inset	Outset			
18 x 28	70A Series (Genesis)	6.875"	7.25"	60.5"	88.75"	16150W

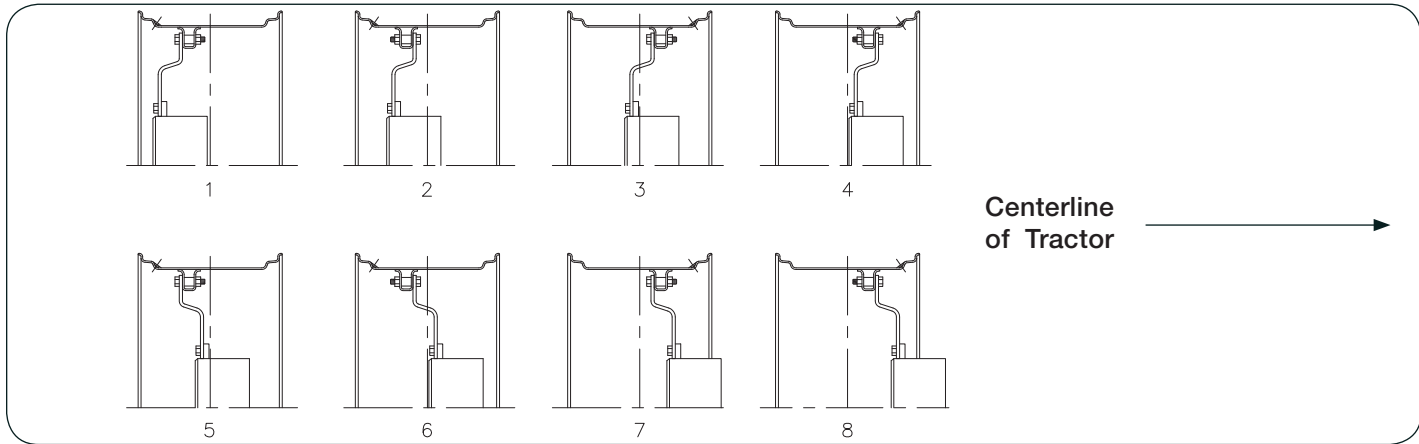
10 Holes on 13.189" B.C. & 11.060" Pilot with .906 Bolt Holes, 72.25" Hub / Hub

Wheel Size	Tractor Model	Wheel Offset		Tread Width with Wheel discher IN	Tread Width with Wheel discher OUT	Stock Number
		Inset	Outset			
18 x 28	70 Series (Genesis)	6.875"	7.25"	60.25"	88.5"	15084W

ADDITIONAL INFORMATION:

- Above Wheels are painted White.

RCDW Wheels for New Holland MFWD



12 Holes on 16.732" B.C. & 14.625" Pilot with .843 Bolt Holes, 74.25" Hub / Hub

Wheel Size	Tractor Model	Tread Widths Achieved by Wheel in Various Positions								Stock Number
		1	2	3	4	5	6	7	8	
13 x 28	T8010*, T8020*, T8030, T8040, T8050, TG215*, TG245*, TG255, TG275, TG285, TG305									14971W
15 x 28										14973W
13 x 30		61.25	65.12	68.12	72	77.25	81.12	84.12	88	13298W
15 x 30										14969W
10 x 34		62	66.13	67.37	71.5	78	82.13	83.37	87.5	15086W
13 x 34		61.25	65.37	68.12	72.25	77.25	81.37	84.12	88.25	14975W
15 x 34										14977W
10 x 38										14979W
12 x 38									16156W	

10 Holes on 13.187" B.C. & 11.060" Pilot with .843 Bolt Holes, 74.00" Hub / Hub

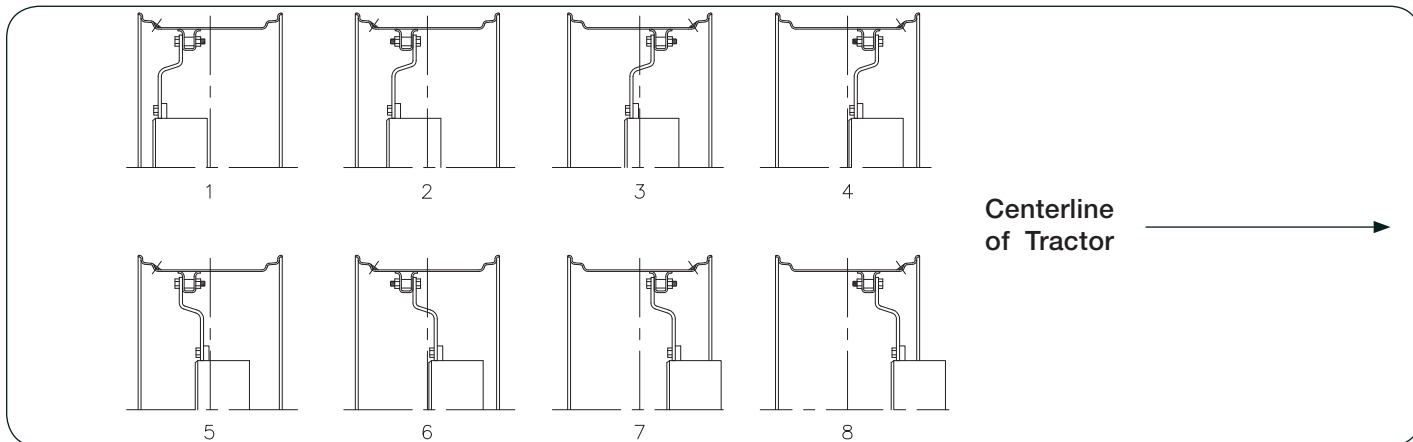
Wheel Size	Tractor Model	Tread Widths Achieved by Wheel in Various Positions								Stock Number
		1	2	3	4	5	6	7	8	
13 x 28	T8010*, T8020*, TG210, TG215*, TG230, TG245*									15041W
15 x 28										15042W
13 x 30		61	64.87	67.87	71.75	77	80.87	83.87	87.75	15043W
15 x 30										15044W
10 x 34		61.75	65.88	67.12	71.25	77.75	81.88	83.12	87.25	15087W
13 x 34		61	65.12	67.87	72	77	81.12	83.87	88	15045W
15 x 34										15046W
10 x 38										15047W
12 x 38									16155W	

* These tractor models had a 10 hole and 12 hole MFD Axle. Please verify with customer before ordering.

ADDITIONAL INFORMATION:

- Above Wheels are painted White.

RCDW Wheels for New Holland MFWD



12 Holes on 16.732" B.C. & 14.625" Pilot with .843 Bolt Holes, 74.25" Hub / Hub

Wheel Size	Tractor Model	Wheel Offset		Tread Width with Wheel discher IN	Tread Width with Wheel discher OUT	Stock Number
		Inset	Outset			
18 x 28	TG255, TG285	6.875"	7.25"	60.5"	88.75"	14966W

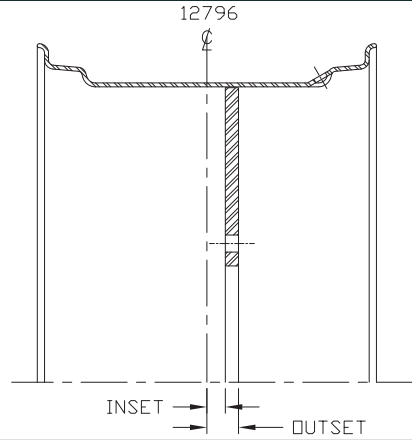
10 Holes on 13.187" B.C. & 11.060" Pilot with .843 Bolt Holes, 74.00" Hub / Hub

Wheel Size	Tractor Model	Wheel Offset		Tread Width with Wheel discher IN	Tread Width with Wheel discher OUT	Stock Number
		Inset	Outset			
18 x 28	TG210, TG230	6.875"	7.25"	60.25"	88.5"	15084W

ADDITIONAL INFORMATION:

- Above Wheels are painted White.

Specialty Stub-Disc Front Wheels for Case-IH 7100 & 7200 Series Magnum Tractors



10 Holes on 13.187" B.C. to Achieve a 76.00" T.W.

Wheel Dimensions				Tire Size Being Used	Approx. Weight	Stock Number
Diameter	Width	Wheel Offset*				
		Outset	Inset			
30"	15"	-1.50"	0.875"	16.9R30, 18.4R30, 480/70R30	178 lbs.	12796SM

10 Holes on 13.187" B.C. to Achieve a 80.00" T.W.

Wheel Dimensions				Tire Size Being Used	Approx. Weight	Stock Number
Diameter	Width	Wheel Offset*				
		Outset	Inset			
30"	15"	-1.125"	0.50"	16.9R30, 18.4R30, 480/70R30	178 lbs.	12797SM

* See page I-16 for wheel Outset/Inset definitions.

ADDITIONAL INFORMATION:

- Above Wheels are painted Silver Mist.

Wheels for Tractors and Other Agricultural Equipment



8 Holes on 8.000" B.C. & 6.000" Pilot with .687 Bolt Holes with Countersink

Wheel Dimensions				Tire Size(s) Normally Mounted on Wheel	Material Thickness		Approx. Weight	Stock Number
Diameter	Width	Wheel Offset*			Rim	Disc		
		Outset	Inset					
26"	14"	-3.78"	3.0"	16.9 x 26	.187"	.229"	93 lbs.	95696
26"	16"	-1.312"	0.562"	18.4 x 26	.187"	.250"	121 lbs.	16799WO
								16799SM
								16799Y

8 Holes on 8.000" B.C. & 6.000" Pilot with .843 Bolt Holes, No Countersink

Wheel Dimensions				Tire Size(s) Normally Mounted on Wheel	Material Thickness		Approx. Weight	Stock Number
Diameter	Width	Wheel Offset*			Rim	Disc		
		Outset	Inset					
26"	16"	-4.50"	4.00"	18.4 x 26	.187"	.500"	137 lbs.	17169WO
								17169Y

8 Holes on 8.000" B.C. & 6.000" Pilot with .593 Bolt Holes, No Countersink

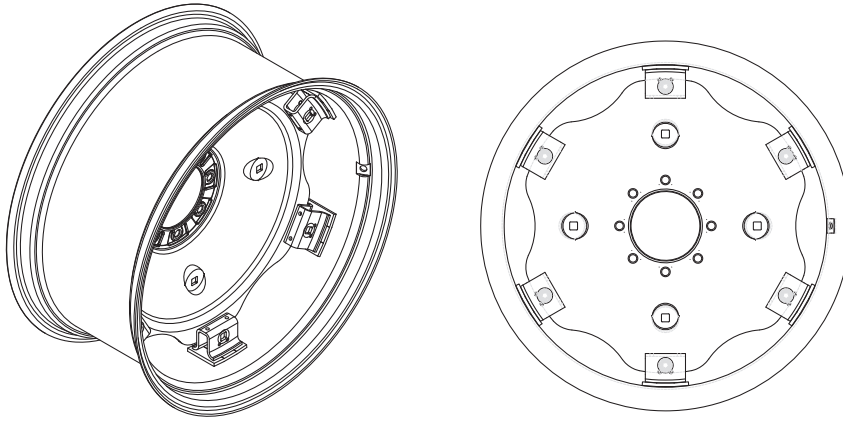
Wheel Dimensions				Tire Size(s) Normally Mounted on Wheel	Material Thickness		Approx. Weight	Stock Number
Diameter	Width	Wheel Offset*			Rim	Disc		
		Outset	Inset					
26"	16"	-3.375"	2.75"	18.4 x 26	.187"	.625"	156 lbs.	16012Y

* See page I-16 for wheel Outset/Inset definitions.

ADDITIONAL INFORMATION:

- 95696 = painted Off-White
- 16799 = painted Off-White, Silver Mist, or Yellow
- 96984 = painted Off-White or Yellow
- 16012 = painted Yellow

Rim & Disc Assembly



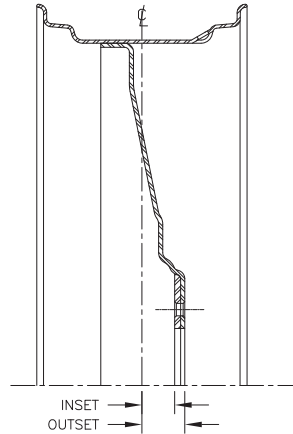
Wheel Dimensions	Approx. Weight	Stock Number
15 x 30 Rim & Disc Assembly for John Deere 5000 / 5010 Series Rear	276 lbs.	14927Y

* See page I-16 for wheel Outset/Inset definitions.

ADDITIONAL INFORMATION:

- Above Wheels are painted Off-White.

Irrigation Wheels 8 Holes on 8.000" B.C. & 6.000" Pilot



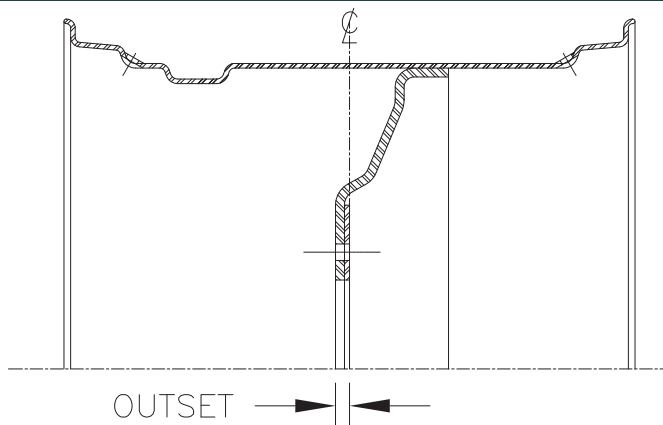
Wheel Dimensions				Tire Size Being Used	Capacity	Approx. Weight	Stock Number
Diameter	Width	Wheel Offset*					
		Outset	Inset				
24"	8"	NA	0"	9.00-24, 9.50-24, 11.25-24	3000 lbs.	48 lbs.	W824-8
	10"	-1"	NA	11.2-24, 11.25-24, 12.4-24, 320/75R24	3000 lbs.	53 lbs.	W1024-8
	12"	-2"	NA	13.6-24, 14.9-24	3800 lbs.	70 lbs.	W1224-8
24.5"	8.25"	-1.01	NA	11.00-24.5, 285/75R24.5	6000 lbs.	57 lbs.	9501307
38"	10"	-2.44"	1.72"	11.2-38, 12.4-38	4000 lbs.	126 lbs.	W1038-8DS
	12"	-1.41"	.88"	12.4-38, 13.6-38, 14.9-38	4000 lbs.	158 lbs.	W1238-8DS

* See page I-16 for wheel Outset/Inset definitions.

ADDITIONAL INFORMATION:

- Above Wheels are painted Off-White.

Grain Cart Wheels 10 Holes on 11.25" B.C. & 8.82" Pilot with .812 Bolt Holes



26" Diameter

Wheel Dimensions			Tire Size(s) Normally Mounted on Wheel	Material Thickness		Rim Type	Approx. Weight	Stock Number
Width	Wheel Offset*			Rim	Disc			
	Outset	Inset						
16"	-.375"	0"	18.4 x 26	.187"	.375"	1 pc.	120 lbs.	92412
20"	-.375"	0"	23.1 x 26, 620/75R26	.224"	.375"	1 pc.	156 lbs.	92413
25"	-.375"	0"	28L26, 750/65R26	.224"	.375"	1 pc.	178 lbs.	92414

30" Diameter

Wheel Dimensions			Tire Size(s) Normally Mounted on Wheel	Material Thickness		Rim Type	Approx. Weight	Stock Number
Width	Wheel Offset*			Rim	Disc			
	Outset	Inset						
20"	-.50"	0"	23.1 x 30	.224"	.50"	1 pc.	216 lbs.	92746

32" Diameter

Wheel Dimensions			Tire Size(s) Normally Mounted on Wheel	Material Thickness		Rim Type	Approx. Weight	Stock Number
Width	Wheel Offset*			Rim	Disc			
	Outset	Inset						
21"	-.69"	0"	24.5 x 32, 650/75R32	.224"	.438"	1 pc.	250 lbs.	92415
27"	-.75"	0"	30.5 x 32, 800/65R32, 900/55R32, 900/60R32	.312"	.75"	1 pc.	402 lbs.	17377W0

34" Diameter

Wheel Dimensions			Tire Size(s) Normally Mounted on Wheel	Material Thickness		Rim Type	Approx. Weight	Stock Number
Width	Wheel Offset*			Rim	Disc			
	Outset	Inset						
20"	-.625"	0"	23.1 x 34, 650/75R34	.224"	.625"	1 pc.	283 lbs.	92747

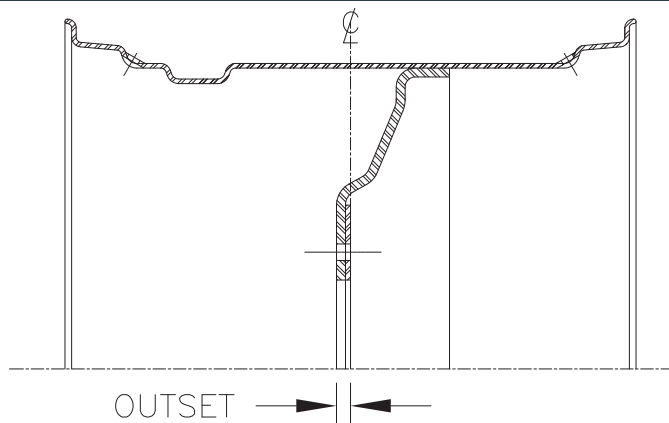
* See page I-16 for wheel Outset/Inset definitions.

ADDITIONAL INFORMATION:

- All Grain Cart Wheels are painted Off-White.

Grain Cart Wheels

10 Holes on 11.25" B.C. & 8.82" Pilot with .812 Bolt Holes



38" Diameter

Wheel Dimensions			Tire Size(s) Normally Mounted on Wheel	Material Thickness		Rim Type	Approx. Weight	Stock Number
Width	Wheel Offset*			Rim	Disc			
	Outset	Inset						
18"	-0.75"	0"	20.8 x 38, 580/70R38	.224"	.375"	1 pc.	299 lbs.	92749
	-1.00"	0"		.224"	1.00"	1pc.	431 lbs.	17360W0

42" Diameter

Wheel Dimensions			Tire Size(s) Normally Mounted on Wheel	Material Thickness		Rim Type	Approx. Weight	Stock Number
Width	Wheel Offset*			Rim	Disc			
	Outset	Inset						
16"	-2.25	1.50"	18.4 x 42	.224"	.75"	1 pc.	412 lbs.	18049W0

46" Diameter

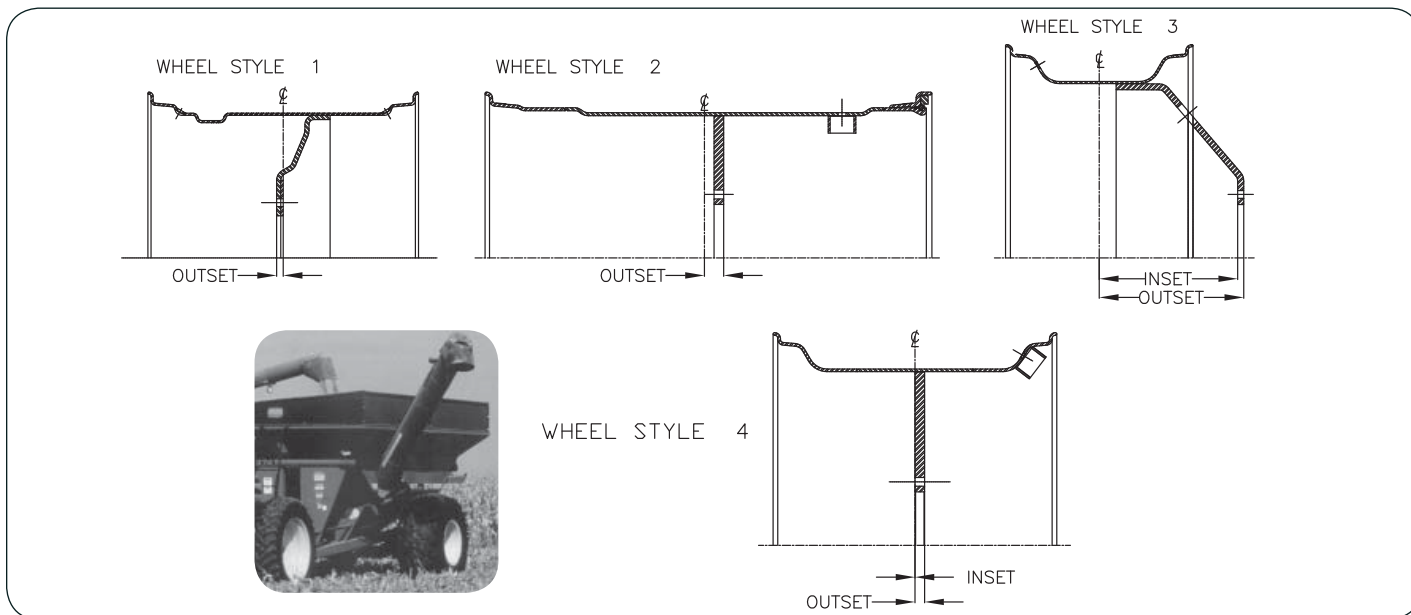
Wheel Dimensions			Tire Size(s) Normally Mounted on Wheel	Material Thickness		Rim Type	Approx. Weight	Stock Number
Width	Wheel Offset*			Rim	Disc			
	Outset	Inset						
13"	-2.50"	1.50"	420/80R46	.224"	1.00"	1 pc.	563 lbs.	13838

* See page I-16 for wheel Outset/Inset definitions.

ADDITIONAL INFORMATION:

- All Grain Cart Wheels are painted Off-White.

Grain Cart Wheels 10 Holes on 13.187" B.C. & 11.105" Pilot



25" Diameter

Wheel Dimensions			Tire Size(s) Normally Mounted on Wheel	Wheel Style	Bolt Hole Size	Material Thickness		Rim Type	Approx. Weight	Stock Number
Width	Wheel Offset*					Rim	Disc			
	Outset	Inset								
36"	-0.875"	0"	66 x 43.00-25	2	.937"	.25"	.875"	3 pc.	363 lbs.	16849W0****

32" Diameter

Wheel Dimensions			Tire Size(s) Normally Mounted on Wheel	Wheel Style	Bolt Hole Size	Material Thickness		Rim Type	Approx. Weight	Stock Number
Width	Wheel Offset*					Rim	Disc			
	Outset	Inset								
21"	-1.94"	1.50"	24.5 x 32, 650/75R32	1	.812"	.276"	.438"	1 pc.	250 lbs.	92416
27"	-1.94"	1.50"	30.5 x 32, 800/65R32	1	.812"	.276"	.438"	1 pc.	288 lbs.	92417
	-1.00"	0"	900/60-32	1	.937"	.312"	1.00"	1 pc.	435 lbs.	15942W0
	-2.50"	1.50"		4	.937"	.312"	1.00"	1 pc.	435 lbs.	17273W0
30"	-1.00"	0"	900/60-32	1	.937"	.276"	1.00"	1 pc.	483 lbs.	17939W0
	-1.00"	0"		1	.937"	.276"	1.00"	1 pc.	424 lbs.	17941W0
	-2.50"	1.50"		1	.937"	.276"	1.00"	1 pc.	424 lbs.	17943W0
	-0.625"	0"		1	.906"	.276"	.625"	1 pc.	405 lbs.	903059
31"	-1.00"	0"	900/60-32	4	.937"	.276"	1.00"	1 pc.	527 lbs.	17349W0
	-1.00"	0"	VA35.5 x 32	2	.937"	.312"	1.00"	3 pc.	536 lbs.	11731
	-2.50"	1.50"		2	.937"	.312"	1.00"	3 pc.	536 lbs.	17275
36"	-1.00"	0"	1050/50R32	1	.937"	.312"	1.00"	1 pc.	567 lbs.	17922W0
44"	-2.00"	1.00"	68 x 50.00-32	2	.937"	.312"	1.00"	3 pc.	639 lbs.	12871

* See page I-16 for wheel Outset/Inset definitions.

** These wheels are used as duals, back to back, to achieve a 30" Dual Wheel Spacing.

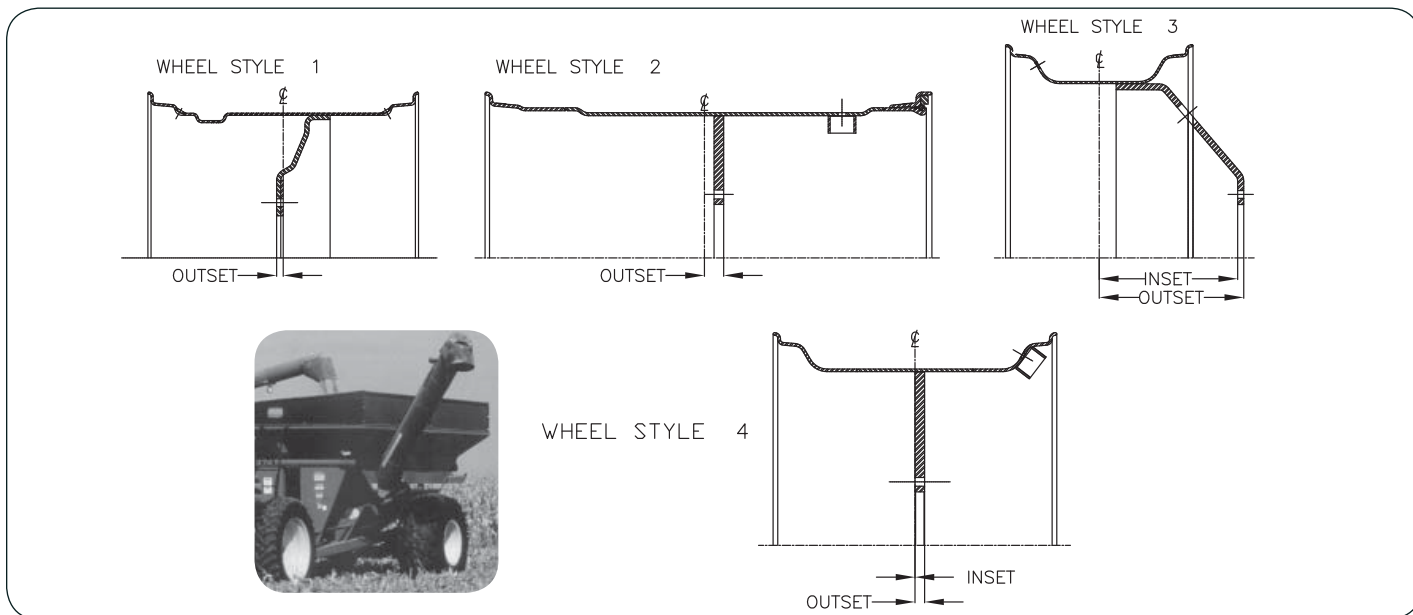
*** These wheels are used as duals, back to back, to achieve a 22" Dual Wheel Spacing.

**** This wheel has a rim I.D. of 23.3". The axle on the cart may need to be modified for this wheel to fit. Check for clearance.

ADDITIONAL INFORMATION:

- All Grain Cart Wheels are painted Off-White.

Grain Cart Wheels 10 Holes on 13.187" B.C. & 11.105" Pilot



38" Diameter

Wheel Dimensions			Tire Size(s) Normally Mounted on Wheel	Wheel Style	Bolt Hole Size	Material Thickness		Rim Type	Approx. Weight	Stock Number
Width	Wheel Offset*					Rim	Disc			
	Outset	Inset								
16"	-11.0"	10.375"	18.4 x 38	3	.812"	.224"	.625"	1 pc.	472 lbs.	12966W0***
				3	.906"				433 lbs.	15695W0***
	-15.0"	14.375"		3	.812"	.224"	.625"	1 pc.	472 lbs.	12397W0**
				3	.906"				433 lbs.	15304 **
18"	-15.0"	14.375"	20.8 x 38, 580/70R38	3	.812"	.224"	.625"	1 pc.	490 lbs.	12398W0**
				3	.906"				451 lbs.	15305 **
	-1.00"	0"		4	.812"	.224"	1.00"	1 pc.	420 lbs.	17740W0
				4	.937"	.276"	1.00"	1 pc.	454 lbs.	17704W0
	-1.50"	.50"		4	.937"	.224"	1.00"	1 pc.	420 lbs.	14678
				4	.812"				421 lbs.	14925W0
	-2.50"	1.50"		4	.812"	.276"	1.00"	1 pc.	455 lbs.	17702W0
				4	.937"	.276"	1.00"	1 pc.	500 lbs.	9500387
30"	-1.50"	2.13"	900/60R38	1	.906"	.276"	.625"	1 pc.	571 lbs.	9500845
				1	.906"	.276"	.625"	1 pc.	643 lbs.	18021W0
				4	.937"	.276"	1.00"	1 pc.		

* See page I-16 for wheel Outset/Inset definitions.

** These wheels are used as duals, back to back, to achieve a 30" Dual Wheel Spacing.

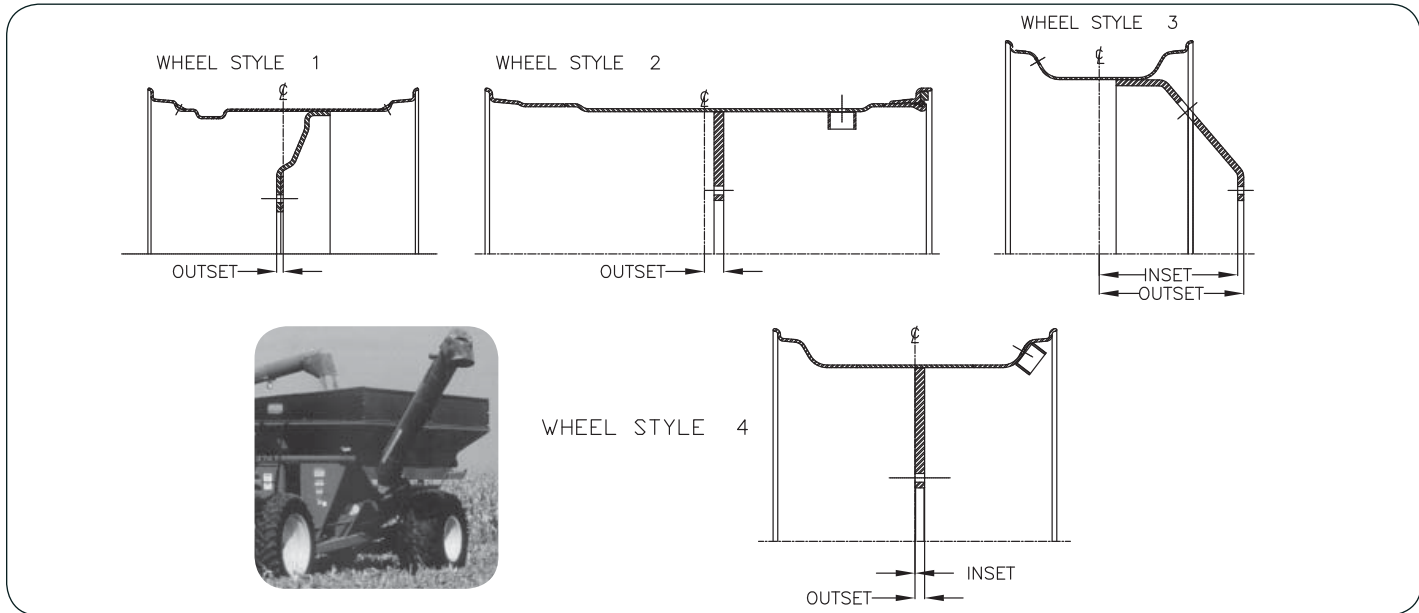
*** These wheels are used as duals, back to back, to achieve a 22" Dual Wheel Spacing.

**** This wheel has a rim I.D. of 23.3". The axle on the cart may need to be modified for this wheel to fit. Check for clearance.

ADDITIONAL INFORMATION:

- All Grain Cart Wheels are painted Off-White.

Grain Cart Wheels 10 Holes on 13.187" B.C. & 11.105" Pilot



42" Diameter

Wheel Dimensions			Tire Size(s) Normally Mounted on Wheel	Wheel Style	Bolt Hole Size	Material Thickness		Rim Type	Approx. Weight	Stock Number
Width	Wheel Offset*					Rim	Disc			
	Outset	Inset								
16"	-15.0"	14.375"	18.4 x 42	3	.812"	.224"	.625"	1 pc.	491 lbs.	12399W0**
				3	.906"					
	-2.00"	1.00"		4	.937"	.224"	1.00"		485 lbs.	14636
	-2.00"	1.00"		4	.937"					
18"	1.375"	.50"	20.8 x 42	4	.937"	.276"	.875"	1 pc.	448 lbs.	18624W0
				4	.937"					
	-15.0"	14.375"		3	.812"	.224"	.625"		469 lbs.	14562 **
				3	.906"					
28"	-2.50"	1.50"	850/55-42, 900/50R42	4	.937"	.276"	1.00"	1 pc.	692 lbs.	19401W0

46" Diameter

Wheel Dimensions			Tire Size(s) Normally Mounted on Wheel	Wheel Style	Bolt Hole Size	Material Thickness		Rim Type	Approx. Weight	Stock Number
Width	Wheel Offset*					Rim	Disc			
	Outset	Inset								
13"	-2.50"	1.50"	420/80R46	4	.812"	.224"	1.00"	1 pc.	543 lbs.	13839
			14.9R46, 380/70R46, 380/90R46, 420/80R46	3	.812"					
				3	.906"	.224"	.625"		578 lbs.	15303***
16"	-15.0"	14.375"	18.4R46, 480/80R46, 520/85R46	3	.906"			.224"		

* See page I-16 for wheel Outset/Inset definitions.

** These wheels are used as duals, back to back, to achieve a 30" Dual Wheel Spacing.

*** These wheels are used as duals, back to back, to achieve a 22" Dual Wheel Spacing.

**** This wheel has a rim I.D. of 23.3". The axle on the cart may need to be modified for this wheel to fit. Check for clearance.

ADDITIONAL INFORMATION:

- All Grain Cart Wheels are painted Off-White.

Main Wheels for John Deere 4630 Sprayers

Wheel Size	Wheel Offset	Disc Thickness	Description	Stock Number
20 x 30	3.25"	.625"	Sprayer wheel with 10 holes (.843) on 13.187Ø B.C. w/11.060Ø Pilot.	19569Y

Main Wheels for John Deere 4700 Sprayers

Wheel Size	Wheel Offset	Disc Thickness	Description	Stock Number
20.5 x 20	1.646"	.625"	20.5x20 wheel for flotation tire, 2 front wheels and 2 rear wheels. Front wheels have 9 holes on 9.500Ø B.C. w/7.910Ø Pilot. Rear wheels have 12 holes on 12.375Ø B.C. w/10.680Ø Pilot.	15269*
20 x 26	.187"	.625"	20x26 wheel for flotation tire, 2 front wheels and 2 rear wheels. Front wheels have 9 holes on 9.500Ø B.C. w/7.910Ø Pilot. Rear wheels have 12 holes on 12.375Ø B.C. w/10.680Ø Pilot.	15270*
25 x 26	3.25"	.625"	25x26 wheel for flotation tire, 2 front wheels and 2 rear wheels. Front wheels have 9 holes on 9.500Ø B.C. w/7.910Ø Pilot. Rear wheels have 12 holes on 12.375Ø B.C. w/10.680Ø Pilot.	15271*
13 x 34	1.375"	1.00"	13x34 wheel for row crop tire, 2 front wheels and 2 rear wheels. Front wheels have 9 holes on 9.500Ø B.C. w/7.910Ø Pilot. Rear wheels have 12 holes on 12.375Ø B.C. w/10.680Ø Pilot. Wheels achieve 160" Tread Width.	15272*
13 x 34	5.313"	1.00"	13x34 wheel for row crop tire, 2 front wheels and 2 rear wheels. Front wheels have 9 holes on 9.500Ø B.C. w/7.910Ø Pilot. Rear wheels have 12 holes on 12.375Ø B.C. w/10.680Ø Pilot. Wheels match OEM offset.	15290*
10 x 38	1.375"	1.00"	10x38 wheel for row crop tire, 2 front wheels and 2 rear wheels. Front wheels have 9 holes on 9.500Ø B.C. w/7.910Ø Pilot. Rear wheels have 12 holes on 12.375Ø B.C. w/10.680Ø Pilot. Wheels achieve 160" Tread Width.	15273*
10 x 38	5.10"	1.00"	10x38 wheel for row crop tire, 2 front wheels and 2 rear wheels. Front wheels have 9 holes on 9.500Ø B.C. w/7.910Ø Pilot. Rear wheels have 12 holes on 12.375Ø B.C. w/10.680Ø Pilot. Wheels match OEM offset.	15291*
10 x 46	5.125"	1.00"	10x46 wheel for row crop tire, 2 front wheels and 2 rear wheels. Front wheels have 9 holes on 9.500Ø B.C. w/7.910Ø Pilot. Rear wheels have 12 holes on 12.375Ø B.C. w/10.680Ø Pilot. Wheels achieve 152" Tread Width.	15274*

* Some machines have been updated to a 12-Bolt front and rear. These require (4) of the 12-Bolt wheels from these packages.

Main Wheels for John Deere 4710 / 4720 / 4730 Sprayers

Wheel Size	Wheel Offset	Disc Thickness	Rim Thickness	Description	Stock Number Without Bead Reinforcing	Stock Number With Bead Reinforcing
18 x 38	1.75" Outset	.625"	.224"	Sprayer wheel with 10 holes on 13.187Ø B.C. w/11.060Ø Pilot. Wheel achieves 126" - 158" Tread Width.	15627Y	-
16 x 42	2.00" Outset	.625"	.224"	Sprayer wheel with 10 holes on 13.187Ø B.C. w/11.060Ø Pilot. Wheel achieves 132" - 164" Tread Width.	15628Y	-
10 x 46	4.125" Inset	.625"	.312"	Sprayer wheel with 10 holes on 13.187Ø B.C. w/11.060Ø Pilot. Wheel achieves 120" - 152" Tread Width. These wheels match OEM offset.	15626Y	-
12 x 46	4.125" Inset	.625"	.312"		15625Y	-
12 x 46	.625" Inset	.625"	.312"	Sprayer wheel with 10 holes on 13.187Ø B.C. w/11.060Ø Pilot. Wheel achieves 127" - 159" Tread Width.	15629Y	-
10 x 50	4.125" Inset	.625"	.224"	Sprayer wheel with 10 holes on 13.187Ø B.C. w/11.060Ø Pilot. Wheel achieves 120" - 152" Tread Width. These wheels match OEM offset	N/A	17258Y
10 x 54	4.125" Inset	.625"	.276"		110166Y	18774Y

* The part number listed is for (1) wheel. A quantity of (4) is needed per machine.

Main Wheels for John Deere 4830 Sprayers

Wheel Size	Wheel Offset	Disc Thickness	Rim Thickness	Description	Stock Number Without Bead Reinforcing	Stock Number With Bead Reinforcing
18 x 38	2.00" Outset	.625"	.224"	Sprayer wheel with 12 holes on 13.976Ø B.C. w/11.857Ø Pilot.	N/A	18077Y
12 x 46	4.25" Inset	.625"	.312"		110167Y	18075Y

* The part number listed is for (1) wheel. A quantity of (4) is needed per machine.

Main Wheels for John Deere R4030, R4038 Sprayers

Wheel Size	Wheel Offset	Disc Thickness	Rim Thickness	Description	Stock Number Without Bead Reinforcing	Stock Number With Bead Reinforcing
18 x 38	4.00"	.625"	.229"	Sprayer wheel with 12 holes (.906) on 13.976Ø B.C. w/11.857Ø Pilot.	N/A	19552Y
20 x 38	6.00"	.625"	.276"		110229Y	110230Y
23 x 38	6.00"	.625"	.276"		110168Y	19554Y
23 x 42	6.00"	.625"	.276"		110169Y	19578Y
12 x 46	2.625"	.625"	.312"		110170Y	19559Y
25 x 46	6.00"	.625"	.276"		110171Y	19555Y
10 x 50	2.00" Inset	.625"	.224"		N/A	19564Y
10 x 54	2.625"	.625"	.276"		110172Y	19566Y

Main Wheels for John Deere 4920 / 4930 / 4940 / R4045 Sprayers

Wheel Size	Wheel Offset	Disc Thickness	Rim Thickness	Description	Stock Number Without Bead Reinforcing	Stock Number With Bead Reinforcing
20 x 46	2.50"	.875"	.276"	Sprayer wheel with 12 holes on 32.0470 B.C. w/30.0390 Pilot.	110173Y	17666Y
25 x 46	4.50"	.875"	.276"		110174Y	19550Y
12 x 50	2.75" Inset	.875"	.224"		N/A	17659Y
15 x 50	2.4375"	.875"	.312"		110207Y	17661Y
10 x 54	2.75"	.875"	.276"		110175Y	17663Y
12 x 54	2.75"	.875"	.276"		110176Y	17664Y

* The part number listed is for (1) wheel. A quantity of (4) is needed per machine.

Main Wheels for Case SPX 3230 / 3240 / 3320 / 3330 / 3340 / 4260 / 4410 / 4420 / 4430 / 4440 Sprayers

Wheel Size	Wheel Offset	Disc Thickness	Rim Thickness	Description	Stock Number Without Bead Reinforcing	Stock Number With Bead Reinforcing
18 x 38	2.25"	.625"	.224"	Sprayer wheel with 10 holes on 13.1870 B.C. w/11.0600 Pilot. Wheel achieves 126" - 158" Tread Width.	17272SM	110177SM
23 x 38	5.00"	.625"	.276"	Sprayer wheel with 10 holes (.906) on 13.1870 B.C. w/11.0600 Pilot.	110178SM	19570SM
23 x 42	5.00"	.625"	.276"		110179SM	19553SM
12 x 46	3.187" Inset	.625"	.312"		110180SM	19557SM
25 x 46	5.00"	.625"	.276"		110181SM	19551SM
10 x 50	3.187" Inset	.625"	.224"		N/A	19563SM
10 x 54	3.187" Inset	.625"	.276"		110182SM	19565SM

* The part number listed is for (1) wheel. A quantity of (4) is needed per machine.

Main Wheels for RoGator Sprayers RG900, RG1100, RG1300

Wheel Size	Wheel Offset	Disc Thickness	Rim Thickness	Description	Stock Number Without Bead Reinforcing	Stock Number With Bead Reinforcing
18 x 38	5.00" Outset	.625"	.229"	Sprayer wheel with 12 holes on 15.7480 B.C. w/13.9800 Pilot.	N/A	110186ACG
18 x 42	5.00" Outset	.625"	.276"		110188ACG	110187ACG
20 x 38	5.50" Outset	.625"	.276"		110191ACG	110190ACG
23 x 38	6.00" Outset	.625"	.276"		110193ACG	110192ACG
25 x 38	8.00" Outset	.625"	.276"		110195ACG	110194ACG

* The part number listed is for (1) wheel. A quantity of (4) is needed per machine.

Dual Rear Extensions for Self-Propelled Sprayers

Dual Extensions

Sprayer Make	Sprayer Models	Description	Stock Number*
John Deere	4710, 4720, 4730	17.5" Dual Spacer with 10 Holes, .9060, on 13.1870 B.C. w/11.0600 Pilot.	11034
	R4030, R4038, 4830	17" Dual Spacer with 12 Holes, .9060, on 13.9760 B.C. w/11.8570 Pilot on Machine End. 10 on 13.187 on Dual End.	17626Y
		19.5" Dual Spacer with 12 Holes, .9060, on 13.9760 B.C. w/11.8570 Pilot.	19490Y
	4920, 4930, 4940, R4045	11.375" Dual Spacer with 12 Holes, .9060, on 13.9760 B.C. w/11.8570 Pilot on Machine End. 10 on 13.187 on Dual End.	19371Y
		20" Dual Spacer with 12 Holes, .9370, on 15.7500 B.C. w/14.0000 Pilot on Machine End. 10 on 13.187 on Dual End.	17650Y
		13" Dual Spacer with 12 Holes, .9370, on 15.7500 B.C. w/14.0000 Pilot on Machine End. 10 on 13.187 on Dual End.	19374Y
Case	SPX 3240, 3320, 3330, 3340, 4260, 4410, 4420, 4430, 4440	11" Dual Spacer with 12 Holes, .9370, on 15.7500 B.C. w/14.0000 Pilot on Machine End. 10 on 13.187 on Dual End.	19388Y
		16" Dual Spacer with 10 Holes, .9060, on 13.1870 B.C. w/11.0600 Pilot.	15522
RoGator	1396, RG900, RG1100, RG1300	20" Dual Spacer with 12 Holes, .9370, on 15.7500 B.C. w/14.0000 Pilot on Machine End. 10 on 13.187 on Dual End.	17650B
		13" Dual Spacer with 12 Holes, .9370, on 15.7500 B.C. w/14.0000 Pilot on Machine End. 10 on 13.187 on Dual End.	19374B
		11" Dual Spacer with 12 Holes, .9370, on 15.7500 B.C. w/14.0000 Pilot on Machine End. 10 on 13.187 on Dual End.	19388B

* Use appropriate extensions above with appropriate wheels below to achieve approximately 30" row spacing.

Dual Rear Extensions for Self-Propelled Sprayers

Dual Rear Wheels & Extensions for Self-Propelled Sprayers

Model	Dual Row Spacing	Extension	Dual Wheel 12 x 46	Dual Wheel 13 x 46
John Deere 4710, 4720, 4730	20"	17118B	10487Y	-
	22"	17119B	10487Y	-
	30"	11034	12008Y	-
			-	18025Y

Model	Dual Row Spacing	Extension	Dual Wheel 12 x 46	Dual Wheel 13 x 46
John Deere 4830	22"	19371Y	10487Y	-
	30"	17626Y	12008Y	-
			-	18025Y

Model	Dual Row Spacing	Extension	Dual Wheel 12 x 46	Dual Wheel 13 x 46
John Deere R4030, R4038	20"	19371Y	10487Y	-
	22"	19371Y	12008Y	18025Y
	30"	19490Y	12008Y	18025Y

Model	Dual Row Spacing	Extension	Dual Wheel 12 x 50
John Deere 4930, 4940, R4045	20"	19388Y	16846Y
	22"	19374Y	16846Y
	30"	17650Y	14955Y

Model	Dual Row Spacing	Extension	Dual Wheel 12 x 46	Dual Wheel 13 x 46
Case SPX 3240, 3320, 3330, 3340, 4260, 4410, 4420, 4430, 4440 (*See note below on hardware)	20"	17118B	10487SM	-
	22"	17119B	10487SM	-
	30"	11034	12008SM	-
			-	18025SM

Model	Dual Row Spacing	Extension	Dual Wheel 12 x 46	Dual Wheel 13 x 46
RoGator 1396, RG900, RG1100, RG13000	20"	19388B	12008ACG	-
			-	18025ACG
	22"	19374B	12008ACG	-
			-	18025ACG
	30"	17650B	13571ACG	-
			-	17212ACG

- * When adding duals to Case Sprayers, it may be necessary to replace the OEM Flange nut with a standard hex nut #901398.

Dual Rear Extensions for Self-Propelled Sprayers



Conversion Packages for Three-Wheel Floaters



Conversion Packages for Three-Wheel Floaters

These packages are for converting Three-Wheel Floaters from Terra Wheels/Tires to Narrow Wheels/Tires for row crop applications.

Terra-Gator®

Model	Wheel Size		Rear Axle Specifications**		Description	Approx. Weight	Stock Number
	Front	Rear	Hub / Hub & Bolt Circle	Fastener Size			
1603, 1803 & 8103	16 x 34		76.89" Hub/Hub, 14 Holes on 12.000Ø B.C. w/9.510Ø Pilot	3/4"	16x34 Dualed Rear and 16x34 Single Front w/hardware for 38" rows. (Utilizes 18.4x34 or 480/70R34 tires)	2328 lbs.	13095
				7/8"		2327 lbs.	13228
1603, 1803 & 8103	16 x 34		76.89" Hub/Hub, 14 Holes on 12.000Ø B.C. w/9.510Ø Pilot	3/4"	16x34 Dualed Rear and 16x34 Single Front w/hardware for 36" or 38" rows. Actual rear wheel tread widths are 74" and 148". (Utilizes 18.4x34 or 480/70R34 tires)	2299 lbs.	13133
				7/8"		2298 lbs.	13229
1603, 1803 & 8103	16 x 38		76.89" Hub/Hub, 14 Holes on 12.000Ø B.C. w/9.510Ø Pilot	3/4"	16x38 Dualed Rear and 16x38 Single Front w/hardware for 36" rows. (Utilizes 18.4x38 tires)	2573 lbs.	12843
				7/8"		2572 lbs.	13230
1603, 1803 & 8103	16 x 38		76.89" Hub/Hub, 14 Holes on 12.000Ø B.C. w/9.510Ø Pilot	3/4"	16x38 Dualed Rear and 16x38 Single Front w/hardware for 36" or 38" rows. Actual rear wheel tread widths are 74" and 148". (Utilizes 18.4x38 tires)	2602 lbs.	13227
				7/8"		2601 lbs.	13231
1603, 1803 & 8103	16 x 38		76.89" Hub/Hub, 14 Holes on 12.000Ø B.C. w/9.510Ø Pilot	3/4"	16x38 Dualed Rear and 16x38 Single Front w/hardware for 38" rows. (Utilizes 18.4x38 tires)	2631 lbs.	15631
				7/8"		2630 lbs.	15632
1603, 1803 & 8103	13 x 25	12 x 46	76.89" Hub/Hub, 14 Holes on 12.000Ø B.C. w/9.510Ø Pilot	3/4"	12x46 Dualed Rear and 13x25 Single Front w/hardware for 30" rows. (Utilizes 14.9R46 tires on the rear and 18.00-25 tire on the front)	3195 lbs.	12832*
				7/8"		3194 lbs.	13232*
6103, 8103 & 9103	16 x 38		96.1" Hub/Hub, 12 Holes on 16.625Ø B.C. w/14.517Ø Pilot	20mm	16x38 Dualed Rear and 16x38 Single Front w/hardware for 36" rows. (Utilizes 18.4x38 tires)	2599 lbs.	17227
				20mm			16x38 Dualed Rear and 16x38 Single Front w/hardware for 36" or 38" rows. Actual rear wheel tread widths are 74" and 148". (Utilizes 18.4x38 tires)
	16 x 38		96.1" Hub/Hub, 12 Holes on 16.625Ø B.C. w/14.517Ø Pilot	20mm	16x38 Dualed Rear and 16x38 Single Front w/hardware for 36" or 38" rows. Actual rear wheel tread widths are 74" and 148". (Utilizes 18.4x38 tires)	2616 lbs.	17228
				20mm			17228ACG

* Minimal tire clearances may exist on the rear, depending on floater equipment options.

** Please verify Hub/Hub measurement with customer before ordering Conversion Packages. (Older 1603 had 71.25 H/H).

NOTE: Other conversion packages are available for different row spacings, please inquire.

NOTE: Contact your Unverferth Territory Manager for availability of these Three-Wheel Floater Conversion Packages in your area.

ADDITIONAL INFORMATION:

- All Grain Cart Wheels are painted Off-White.

Conversion Packages for Three-Wheel Floaters

These packages are for converting Three-Wheel Floaters from Terra Wheels/Tires to Narrow Wheels/Tires for row crop applications.

Big A

Model	Wheel Size		Rear Axle Specifications**		Description	Approx. Weight	Stock Number
	Front	Rear	Hub / Hub & Bolt Circle	Fastener Size			
2800	16 x 34		93.50" Hub/Hub, 12 Holes on 16.625Ø B.C. w/14.517Ø Pilot (Shim Kit for Front Axle, part no. 15735)	3/4" Budd-Type Ball-Seat	16x34 Dual Rear and 16x34 Single Front w/ hardware for 36" or 38" rows. Actual rear wheel tread widths are 74" and 148". (Utilizes 18.4x34 or 480/70R34 tires)	2308 lbs.	13225
				3/4" No C'sink		2312 lbs.	15633
	16 x 38			3/4" Budd-Type Ball-Seat	16x38 Dual Rear and 16x38 Single Front w/hardware for 36" or 38" rows. Actual rear wheel tread widths are 74" and 148". (Utilizes 18.4x38 tires)	2611 lbs.	13226
				3/4" No C'sink		3713 lbs.	15634

* Minimal tire clearances may exist on the rear, depending on floater equipment options.

** Please verify Hub/Hub measurement with customer before ordering Conversion Packages. (Older 1603 had 71.25 H/H).

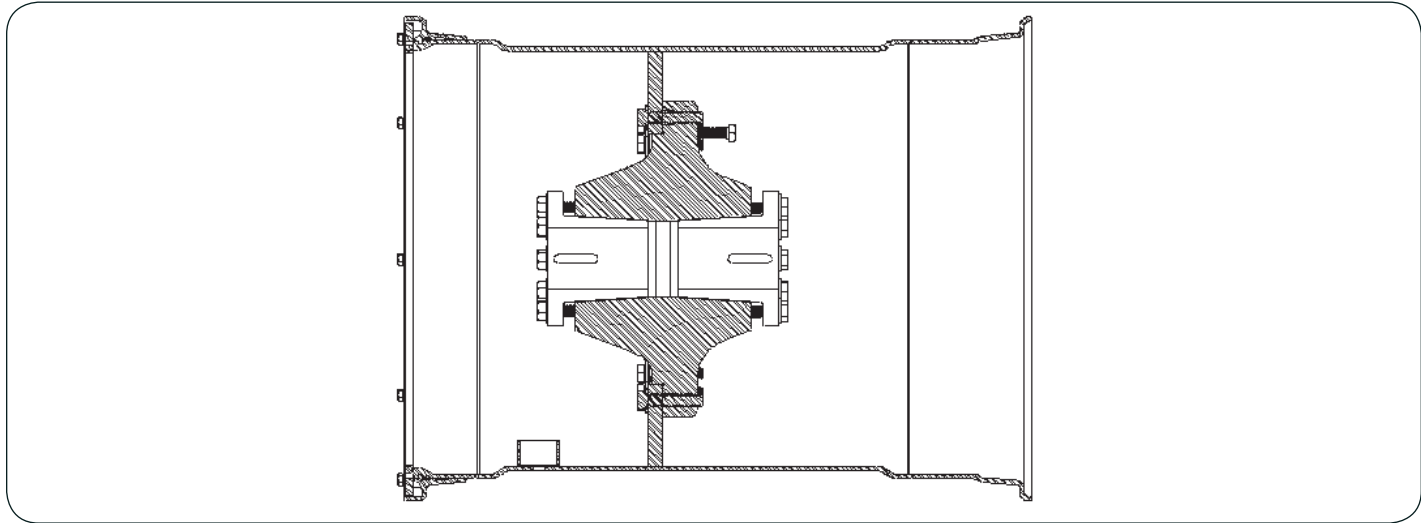
NOTE: Other conversion packages are available for different row spacings, please inquire.

NOTE: Contact your Unverferth Territory Manager for availability of these Three-Wheel Floater Conversion Packages in your area.

ADDITIONAL INFORMATION:

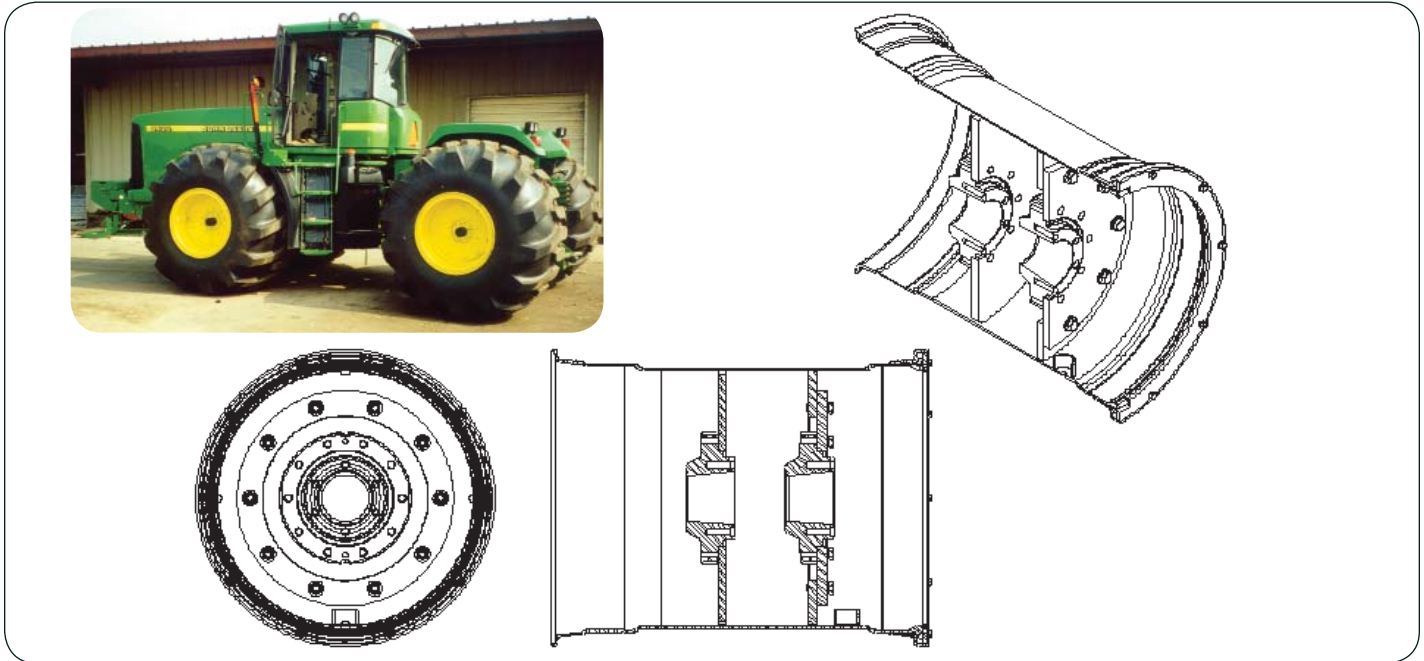
- All Grain Cart Wheels are painted Off-White.

Wheels for John Deere and Case New Holland Series 4WD Tractors Utilizing 20 Bolt Heavy Duty Scraper Hub



Wheel Dimension		Tire Size Being Used	Bolt Circle	Overall Machine Width	Approx. Weight	Stock Number
Diameter	Width					
32"	41"	78 x 45.00-32	20 Holes on 20.125" Bolt Circle, 17.89 Pilot	11.5 feet	597 lbs.	17015SM 17015Y
	44"	76 x 50.00-32		11.75 feet	621 lbs.	17016SM 17016Y

Wheels for John Deere 9000 / 9020 Series 4WD Tractors for Scraper Applications



Wheel Dimension		Tire Size Being Used	Bolt Circle	Overall Machine Width	Approx. Weight	Stock Number
Diameter	Width					
32"	41"	78 x 45.00-32	10 Holes on 13.187" Bolt Circle, 11.060 Pilot. (Requires 2 identical Hubs (2000E) for Mounting)	11.5 feet	862 lbs.	15413
	44"	76 x 50.00-32		11.75 feet	884 lbs.	16525

ADDITIONAL INFORMATION:

- Above Wheels are painted Yellow.

Wheels for JCB Fastrac 4000 Series

Wheel Dimensions		Tire Size Being Used	Offset	Bolt Circle	Approx. Weight	Stock Number
Diameter	Width					
38"	12"	340/85R38, 13.6-38, 13.6R38, 14.9-38, 14.9R38, 380/80R38, 380/95R38	64" T.W.	12 x 38 Front and Rear Wheel with 10 holes (.843) on 13.187" B.C., 11.400 Pilot	237 lbs.	110254 (JCB Yellow)

* See Section 2 for extensions to go with these wheels.

Wheels for JCB Fastrac 7000 Series

Wheel Dimensions		Tire Size Being Used	Offset	Bolt Circle	Approx. Weight	Stock Number
Diameter	Width					
34"	13"	380/85R34	68" T.W.	13x34 Front Waffle Wheel with 12 holes (.969) on 16.732" B.C., 14.620 Pilot	195 lbs.	17856SM
46"	16"	480/80R46	8.03"	16x46 Rear Wheel with 14 holes (.969) on 12.000" B.C., 9.744" Pilot	508 lbs.	17858SM

* See Section 2 for extensions to go with these wheels.

Wheels for JCB Fastrac 8250

Wheel Dimensions		Tire Size Being Used	Offset	Bolt Circle	Approx. Weight	Stock Number
Diameter	Width					
38"	16"	540/65R38	3.0"	16x38 Front Dual Wheel with 10 Holes on 17.717" Bolt Circle, 15.559 Pilot.	290 lbs.	17774SM
38"	23"	710/70R38	3.75"	23x38 Rear Dual Wheel with 16 Holes on 19.75" Bolt Circle, 17.52 Pilot.	438 lbs.	17772SM

* See Section 2 for extensions to go with these wheels.

SECTION 15: AG Terra / Duplex / Super-Single Rims - Wheels - Parts

(Click on the Section you would like to navigate to)

Terra Rims and Wheels for Cast Spoke Centers – Demountable “B” Style

Terra Rims and Wheels for Cast Spoke Centers – Demountable “JM” Style

Stud-Piloted, Budd-Style, Plate, Terra Wheels - “B” Style

Stud-Piloted, Budd-Style, Plate, Terra Wheels - “JM” Style

Hub-Piloted, Budd-Style, Plate, Terra Wheels - “B” Style

Hub-Piloted, Budd-Style, Plate, Terra Wheels - “JM” Style

Blank Terra Rims

Parts for Terra Rims and Wheels

Super Single / Duplex Wheels – Demountable Dual Sets

Super Single / Duplex Wheels – 10 Bolt Stud-Piloted Budd Dual Sets

Super Single / Duplex Wheels – 10 Bolt Hub-Piloted Budd Dual Sets

22.5” Diameter Duplex Demountable Rims

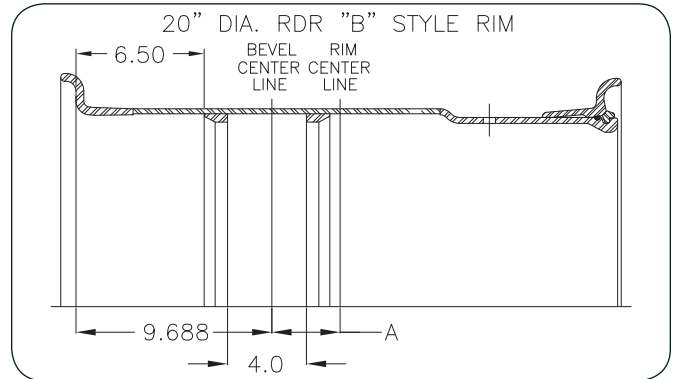
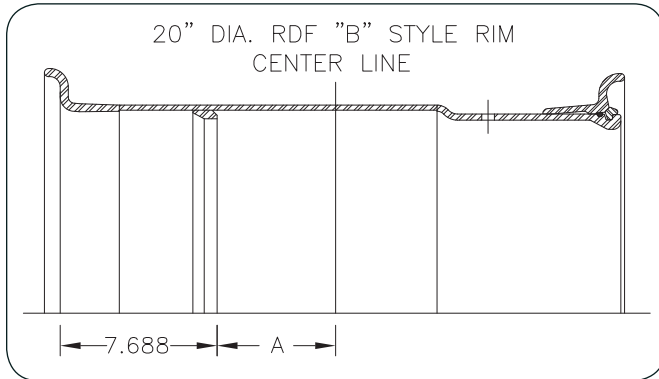
19.5”, 22.5” and 24.5” Diameter Blank Rims

Stud-Piloted and Hub-Piloted Mounting Systems

Terra Rims and Wheels

FOR AGRICULTURAL USE ONLY AT AG SPEEDS / NOT FOR HIGHWAY SERVICE

Demountable, Terra Rims for Cast-Spoke Centers "B" Style



20" Cast-Spoke Demountable Rims - Fronts

Tire Sizes Normally Mounted on this Wheel	Rim Thickness	Dimension "A"	Approx. Weight	Stock Number
42x25.00-20, 48x25.00-20	.250"	2.843"	169 lbs.	RDF20.520B
48x31.00-20	.250"	5.594"	194 lbs.	RDF2620B

20" Cast-Spoke Demountable Rims - Rears

Tire Sizes Normally Mounted on this Wheel	Rim Thickness	Dimension "A"	Approx. Weight	Stock Number
42x25.00-20, 48x25.00-20	.250"	4.00"	175 lbs.	17397W
48x31.00-20	.250"	3.594"	194 lbs.	RDR2620B
44x41.00-20	.250"	8.594"	244 lbs.	RDR3620B

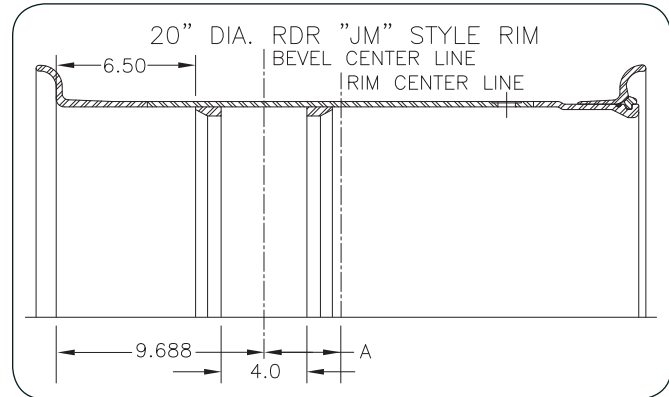
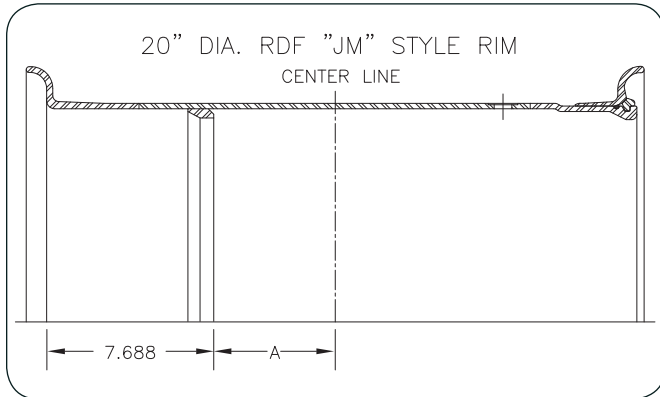
ADDITIONAL INFORMATION:

- All 20" and 25" rims on this page include flanges, lock rings and o-rings.
- All Terra rims on this page are painted White.

Terra Rims and Wheels

FOR AGRICULTURAL USE ONLY AT AG SPEEDS / NOT FOR HIGHWAY SERVICE

Demountable, Terra Rims for Cast-Spoke Centers "JM" Style



25" Special Step-Down Demountable Rims to 20" Cast Spoke Centers - Rears

Tire Sizes Normally Mounted on this Wheel	Rim Thickness	Dimension "A"	Approx. Weight	Stock Number
67x34.00-25	.250"	6.625"	317 lbs.	RDR3025-20
54x37.00-25	.250"	7.625"	326 lbs.	RDR3225-20
66x43.00-25	.250"	9.625"	350 lbs.	RDR3625-20

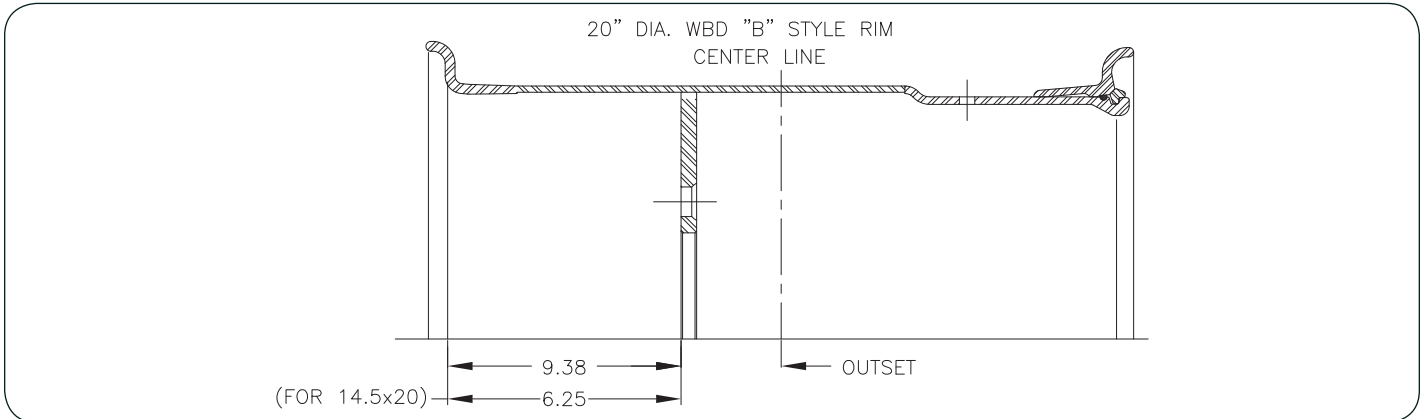
ADDITIONAL INFORMATION:

- All 20" and 25" rims on this page include flanges, lock rings and o-rings.
- All Terra rims on this page are painted White.

Terra Rims and Wheels

FOR AGRICULTURAL USE ONLY AT AG SPEEDS / NOT FOR HIGHWAY SERVICE

Stud-Piloted, Budd-Style, Plate, Terra Wheels "B" Style



20" 10-Hole Budd-Type, Plate Wheels

Tire Sizes Normally Mounted on this Wheel	Material Thickness		*Wheel Outset	Approx. Weight	Stock Number
	Disc	Rim			
48x20.00-20	.625"	.250"	1.281"	162 lbs.	WBD10-14.520B
42x25.00-20, 48x25.00-20	.625"	.250"	1.156"	189 lbs.	WBD10-20.520B
48x31.00-20	.625"	.250"	3.906"	213 lbs.	WBD10-2620B
44x41.00-20	.625"	.250"	8.906"	258 lbs.	WBD10-3620B

* See Page I-16 for Wheel Outset / Inset Definitions.

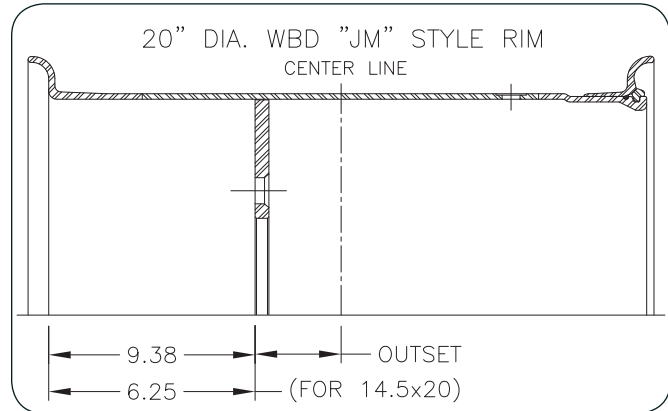
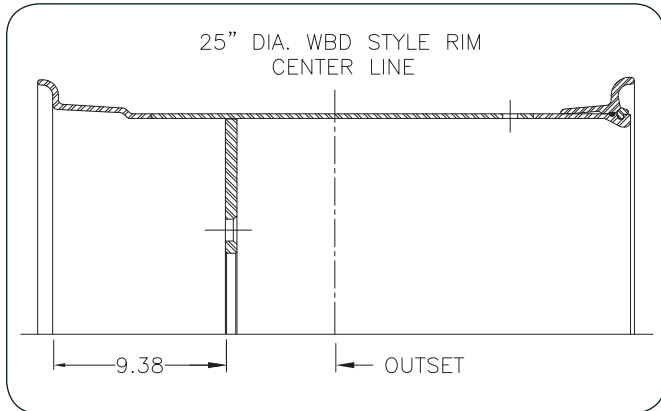
ADDITIONAL INFORMATION:

- A 10-hole stud-piloted budd bolt pattern is 10 holes on 11.25" bolt circle with a 8.75" pilot diameter. Holes are 1.188" dia. w/spherical countersink. See page 15-16 for example.
- All 20" and 25" wheels on this page include flanges, lock rings, and o-rings.
- All Terra wheels on this page are painted White.
- Terra wheels on this page are not for tandem axle applications, (see Section 18 for wheels for this type of application).

Terra Rims and Wheels

FOR AGRICULTURAL USE ONLY AT AG SPEEDS / NOT FOR HIGHWAY SERVICE

Stud-Piloted, Budd-Style, Plate, Terra Wheels "JM" Style



20" and 25" 10-Hole Budd-Type, Plate Wheels

Tire Sizes Normally Mounted on this Wheel	Material Thickness		*Wheel Outset	Approx. Weight	Stock Number
	Disc	Rim			
67x34.00-25	.625"	.250"	5.938"	295 lbs.	WBD10-3025
54x37.00-25	.625"	.250"	6.938"	303 lbs.	WBD10-3225
66x43.00-25	.625"	.250"	8.938"	327 lbs.	WBD10-3625

* See Page I-16 for Wheel Outset / Inset Definitions.

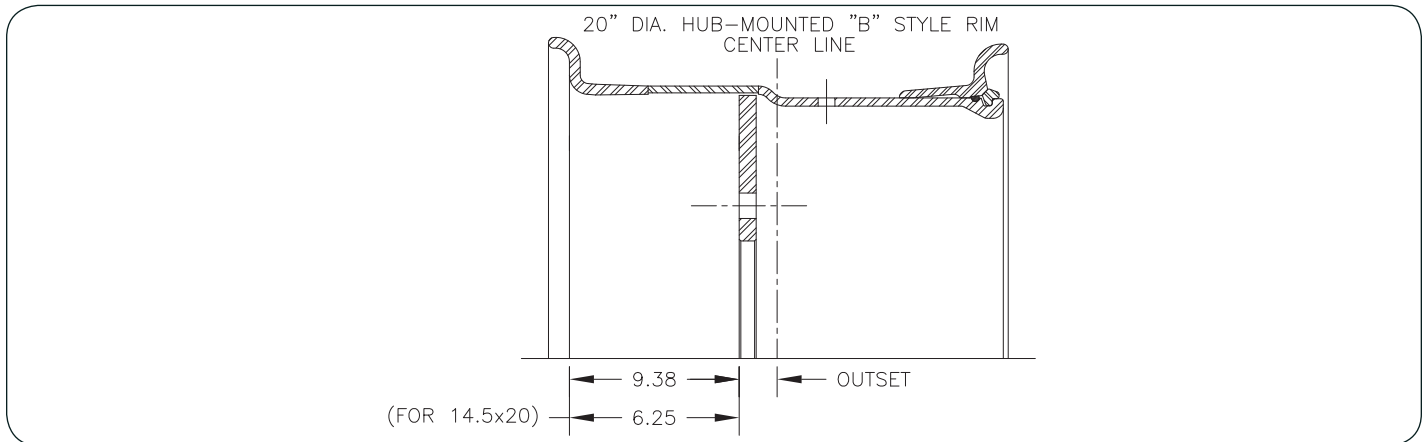
ADDITIONAL INFORMATION:

- A 10-hole stud-piloted budd bolt pattern is 10 holes on 11.25" bolt circle with a 8.75" pilot diameter. Holes are 1.188" dia. w/spherical countersink. See page 15-16 for example.
- All 20" and 25" wheels on this page include flanges, lock rings, and o-rings.
- All Terra wheels on this page are painted White.
- Terra wheels on this page are not for tandem axle applications, (see Section 18 for wheels for this type of application).

Terra Rims and Wheels

FOR AGRICULTURAL USE ONLY AT AG SPEEDS / NOT FOR HIGHWAY SERVICE

Hub-Piloted, Budd-Style, Plate, Terra Wheels "B" Style



20" 10-Hole Budd-Type, Plate Wheels

Tire Sizes	Wheel Size	Material Thickness		*Wheel Outset	Approx. Weight	Stock Number
		Disc	Rim			
48x20.00-20	14.5x20	.625"	.250"	1.396"	177 lbs.	13882
42x25.00-20, 48x25.00-20	20.5x20	.625"	.250"	1.271"	204 lbs.	13884
48x31.00-20	26x20	.625"	.250"	4.016"	228 lbs.	13886
44x41.00-20	36x20	.625"	.250"	9.021"	273 lbs.	13888

* See Page I-16 for Wheel Outset / Inset Definitions.

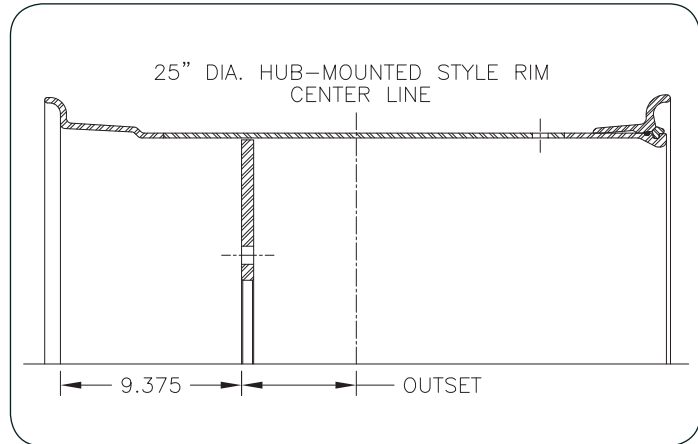
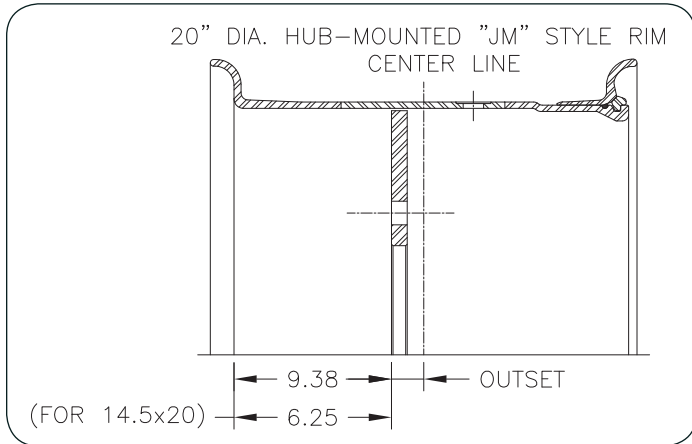
ADDITIONAL INFORMATION:

- A 10-hole hub-piloted budd bolt pattern is 10 holes on 11.25Ø bolt circle with a 8.690Ø pilot diameter. Holes are 1.06Ø w/no countersink. See page 15-16 for example.
- All 20" and 25" wheels on this page include flanges, lock rings, and o-rings.
- All Terra wheels on this page are painted White.
- Terra wheels on this page are not for tandem axle applications, (see Section 18 for wheels for this type of application).

Terra Rims and Wheels

FOR AGRICULTURAL USE ONLY AT AG SPEEDS / NOT FOR HIGHWAY SERVICE

Hub-Piloted, Budd-Style, Plate, Terra Wheels "JM" Style



20" and 25" 10-Hole Budd-Type, Plate Wheels

Tire Sizes	Wheel Size	Material Thickness		*Wheel Outset	Approx. Weight	Stock Number
		Disc	Rim			
67x34.00-25	30x25	.625"	.250"	5.938"	314 lbs.	13898
54x37.00-25	32x25	.625"	.250"	6.938"	324 lbs.	14350
66x43.00-25	36x25	.625"	.250"	8.938"	346 lbs.	13900

* See Page I-16 for Wheel Outset / Inset Definitions.

ADDITIONAL INFORMATION:

- A 10-hole hub-piloted budd bolt pattern is 10 holes on 11.25Ø bolt circle with a 8.690Ø pilot diameter. Holes are 1.06Ø w/no countersink. See page 15-16 for example.
- All 20" and 25" wheels on this page include flanges, lock rings, and o-rings.
- All Terra wheels on this page are painted White.
- Terra wheels on this page are not for tandem axle applications, (see Section 18 for wheels for this type of application).

Blank, Terra Rims

ONE-PIECE, TERA RIMS - SEE SECTION 12.

Three-Piece, Blank Terra Rims

20" Blank Rims

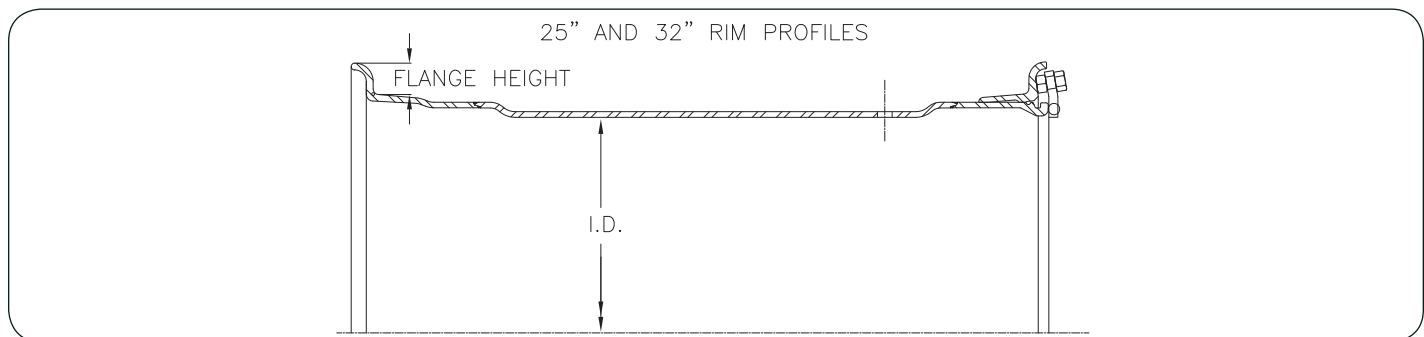
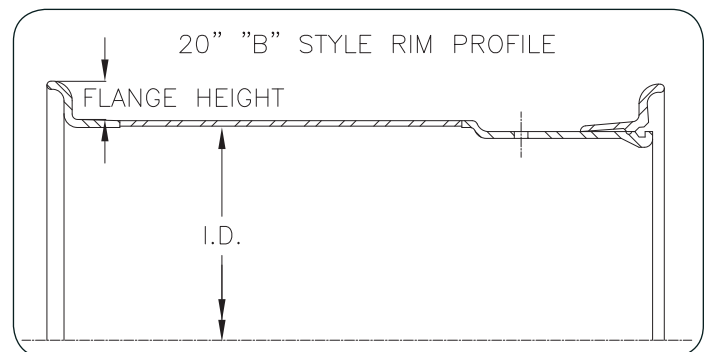
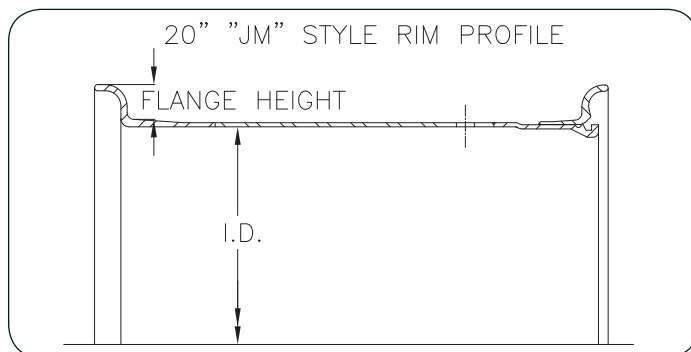
Tire Sizes	Inside Diameter of Rim	Flange Height	Approx. Weight	Stock Number
48x20.00-20	18.622"	1.7"	122 lbs.	RDT14.520B
42x25.00-20, 48x25.00-20	18.662"	1.7"	164 lbs.	RDT20.520B
48x31.00-20	18.662"	1.7"	173 lbs.	RDT2620B
44x41.00-20	18.662"	1.7"	218 lbs.	RDT3620B

25" Blank Rims

Tire Sizes	Inside Diameter of Rim	Flange Height	Approx. Weight	Stock Number
67x34.00-25	23.392"	1.5"	231 lbs.	RDT3025
54x37.00-25	23.392"	1.5"	239 lbs.	RDT3225
66x43.00-25	23.392"	1.5"	283 lbs.	RDT3625

32" Blank Rims

Tire Sizes	Inside Diameter of Rim	Flange Height	Approx. Weight	Stock Number
VA73x44.00-32	29.551"	1.7"	412 lbs.	RDT3632VA
78x45.00-32	29.551"	1.1"	438 lbs.	RDT4132
68x50.00-32, 76x50.00-32	29.551"	1.1"	462 lbs.	RDT4432
68x60.00-32, 68x70.00-32	29.551"	1.1"	504 lbs.	RDT4932
68x60.00-32, 68x70.00-32	29.551"	1.1"	587 lbs.	RDT5932



ADDITIONAL INFORMATION:

- All 20" and 25" wheels on this page include flanges, lock rings, and o-rings.
- Above Rims are unpainted.

Three-Piece Rims for AG Tires

Complete wheels for these AG Tires are in Section 18.

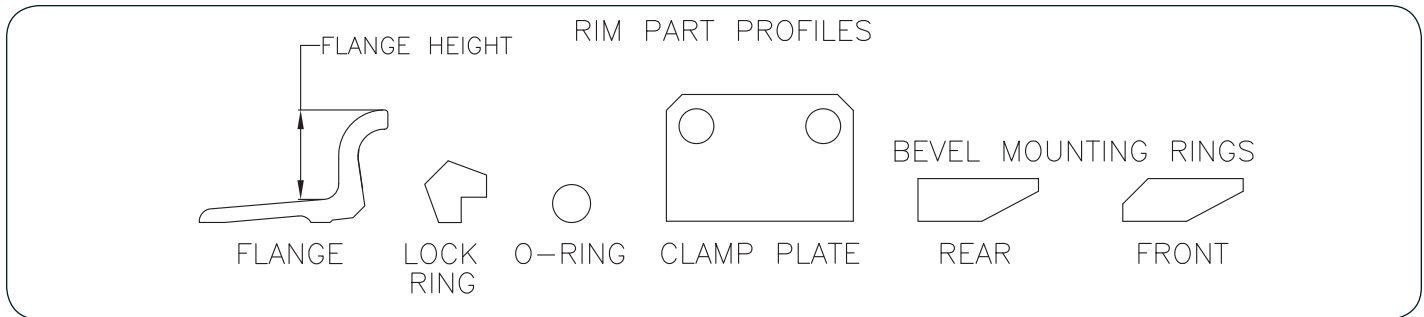
32" Blank Rims

Tire Sizes	Inside Diameter of Rim	Flange Height	Approx. Weight	Stock Number
VA500/95D32 (20 ply)	30.580"	1.7"	211 lbs.	RDT1332VA
VA30.5L-32	29.551"	1.7"	339 lbs.	RDT2732VA
VA35.5L-32	29.551"	1.7"	371 lbs.	RDT3132VA

ADDITIONAL INFORMATION:

- All 32" wheels on this page include flanges, lock rings, and o-rings.
- Above Rims are unpainted.

Parts for Terra Rims and Wheels



Parts for 20" Diameter "B" Style (See page 15-4 for rim profile)

The following parts are used on Demountable Rims and Wheels found on the previous pages as well as previously produced Terra Rims and Wheels prior to 1989.

Description	Approx. Weight	Stock Number
1.7" Flange (Side Ring) for 20" "B" Rims and Wheels (SR20x10.00)	35 lbs.	91580
Lock Ring for 20" "B" Rims and Wheels (LR20)	4 lbs.	91581W
O-Ring for 20" "B" Rims and Wheels (OR-220-TG)	1/4 lb.	91582

Parts for 20" Diameter "JM" Style (See page 15-4 for rim profile)

The following parts are used on Demountable Rims and Wheels found on the previous pages as well as previously produced Terra Rims and Wheels prior to 1989.

Description	Approx. Weight	Stock Number
Lock Ring for 20" Rim	4 lbs.	9214W
O-Ring for 20" Rim (OR-20-JM)	1/4 lb.	9205

20" Weld-In, Beveled-Mounting Rings

Description	Approx. Weight	Stock Number
Beveled Mtg. Ring for 20" Rim - Rear Application	6 lbs.	16365
Beveled Mtg. Ring w/45 deg. taper for 20" Rim - Front Application	5 1/2 lbs.	16368

Parts for 25" Rims and Wheels

Description	Approx. Weight	Stock Number
1.5" Flange for 25" Rim for (10) Current Style	43 lbs.	9217
Lock Ring for 25" Rim	5 lbs.	9218W
O-Ring for 25" Rim	1/4 lb.	9206

Parts for 32" Rims and Wheels

Description	Approx. Weight	Stock Number
1.1" Flange for 44x32/41x32 Rim	56 lbs.	95854
1.7" Flange for 32" VA Rim w/Nuts	54 lbs.	92314
Lock Ring for 32" Rims	6 1/4 lbs.	92315W
O-Ring for 32" Rims	1/2 lb.	92316
Clamp Plate (3 required per rim)	1 1/4 lbs.	10942
Bolt (6 required per rim)	1/4 lb.	9390-120

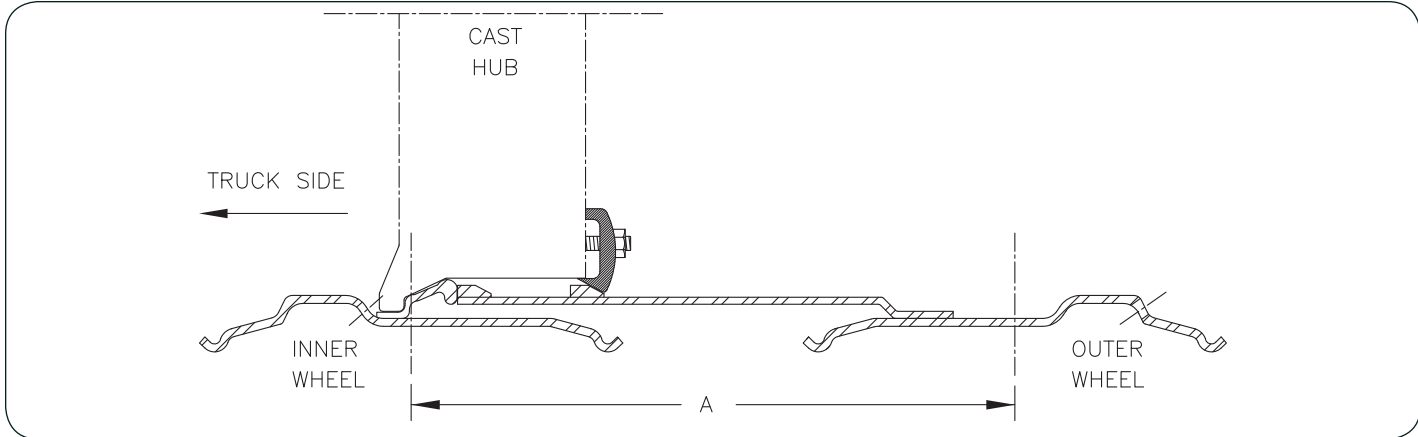
Super-Single / Duplex Wheels

FOR AGRICULTURAL USE ONLY AT AG SPEEDS / NOT FOR HIGHWAY SERVICE

Dual-Wheel Sets

The following Dual Wheel Sets will allow you to change narrow dual tires (i.e. 10.00-20, 11-22.5) on the rear axle(s) of a truck to much wider (i.e. 15-22.5, 18-22.5) dual flotation tires. Simply remove the existing wheel/tire assembly and replace with one of these new sets. No additional lugs, bolts, etc. are required.

NOTE: These items must be purchased as a complete set (2 - Inner Wheels and 2 - Outer Wheels).



Demountable Dual Sets

Tire Size		Wheel Dimensions		Measurement "A"	Approx. Space Between Tires	Approx. Weight	Stock Number
Inner	Outer	Width	Diameter				
15-22.5, 385/65R22.5	15-22.5, 385/65R22.5	12.25	22.5	17.50"	1.60"	520 lbs.	14690*
16.5-22.5, 425/65R22.5	16.5-22.5, 425/65R22.5	12.25	22.5	19.313"	1.91"	531 lbs.	RDRD12.2522.5*
16.5-22.5, 425/65R22.5	16.5-22.5, 425/65R22.5	13.00	22.5	19.00"	1.60"	547 lbs.	14692*
18-22.5, 445/65R22.5	18-22.5, 445/65R22.5	13.00	22.5	20.50"	2.00"	562 lbs.	RDRD13.0022.5*

* These part numbers consist of one complete set (2 - inner wheels and 2 - outer wheels).

ADDITIONAL INFORMATION:

- These Dual sets are for Off-Road use ONLY.
- Dual sets are painted White.

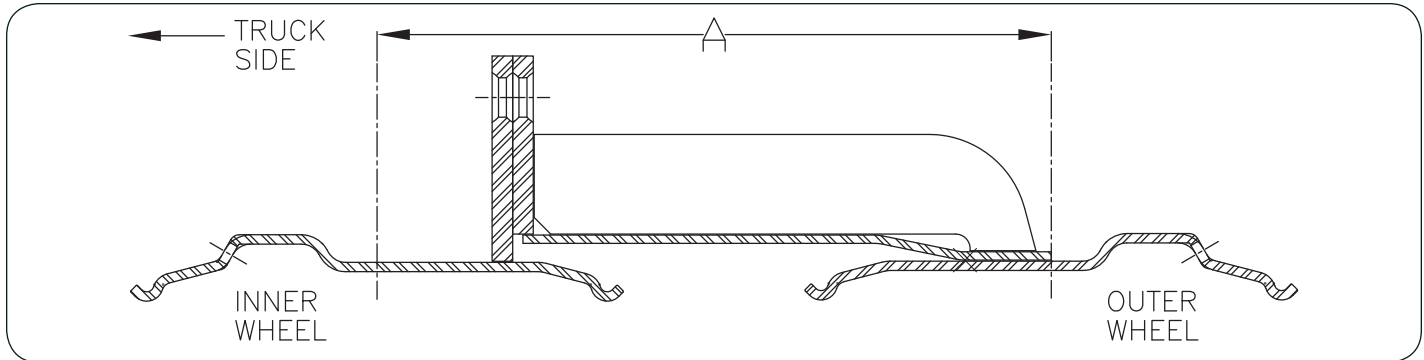
Super-Single / Duplex Wheels

FOR AGRICULTURAL USE ONLY AT AG SPEEDS / NOT FOR HIGHWAY SERVICE

Dual-Wheel Sets

The following Dual Wheel Sets will allow you to change narrow dual tires (i.e. 10.00-20, 11-22.5) on the rear axle(s) of a truck to much wider (i.e. 15-22.5, 18-22.5) dual flotation tires. Simply remove the existing wheel/tire assembly and replace with one of these new sets. No additional lugs, bolts, etc. are required.

NOTE: These items must be purchased as a complete set (2 - Inner Wheels and 2 - Outer Wheels).



10-Bolt Stud-Piloted Budd Dual Sets

Tire Size		Wheel Dimensions		Measurement "A"	Approx. Space Between Tires	Approx. Weight	Stock Number
Inner	Outer	Width	Diameter				
15-22.5, 385/65R22.5	15-22.5, 385/65R22.5	12.25	22.5	17.5"	1.60"	660 lbs.	14685*
16.5-22.5, 425/65R22.5	16.5-22.5, 425/65R22.5	12.25	22.5	19.0"	1.60"	726 lbs.	12161*
16.5-22.5, 425/65R22.5	16.5-22.5, 425/65R22.5	13.00	22.5	19.0"	1.60"	694 lbs.	14687*
18-22.5, 445/65R22.5	18-22.5, 445/65R22.5	13.00	22.5	20.5"	2.00"	773 lbs.	12162*

* These part numbers consist of one complete set (2 - inner wheels and 2 - outer wheels).

ADDITIONAL INFORMATION:

- Please refer to page 15-16 for examples of a stud-piloted and a hub-piloted wheel system.
- These Dual sets are for Off-Road use ONLY.
- Dual sets are painted White.

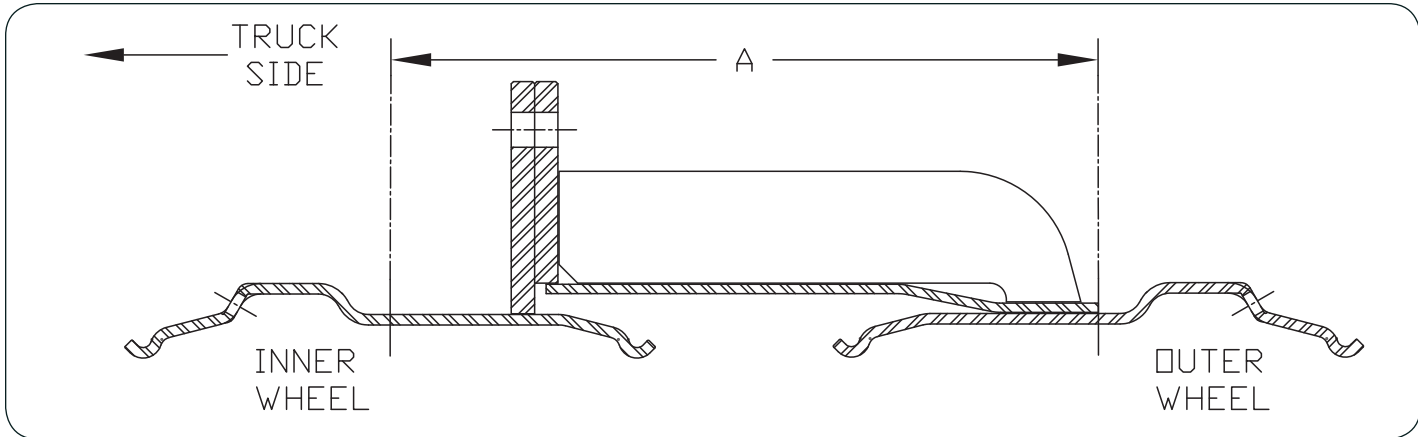
Super-Single / Duplex Wheels

FOR AGRICULTURAL USE ONLY AT AG SPEEDS / NOT FOR HIGHWAY SERVICE

Dual-Wheel Sets

The following Dual Wheel Sets will allow you to change narrow dual tires (i.e. 10.00-20, 11-22.5) on the rear axle(s) of a truck to much wider (i.e. 15-22.5, 18-22.5) dual flotation tires. Simply remove the existing wheel/tire assembly and replace with one of these new sets. No additional lugs, bolts, etc. are required.

NOTE: These items must be purchased as a complete set (2 - Inner Wheels and 2 - Outer Wheels).



10-Bolt Hub-Piloted Budd Dual Sets

Tire Size		Wheel Dimensions		Measurement "A"	Approx. Space Between Tires	Approx. Weight	Stock Number
Inner	Outer	Width	Diameter				
15-22.5, 385/65R22.5	15-22.5, 385/65R22.5	12.25	22.5	17.5"	1.60"	664 lbs.	14693*
16.5-22.5, 425/65R22.5	16.5-22.5, 425/65R22.5	12.25	22.5	19.0"	1.60"	683 lbs.	13919*
16.5-22.5, 425/65R22.5	16.5-22.5, 425/65R22.5	13.00	22.5	19.0"	1.60"	698 lbs.	14684*
18-22.5, 445/65R22.5	18-22.5, 445/65R22.5	13.00	22.5	20.5"	2.00"	714 lbs.	13920*

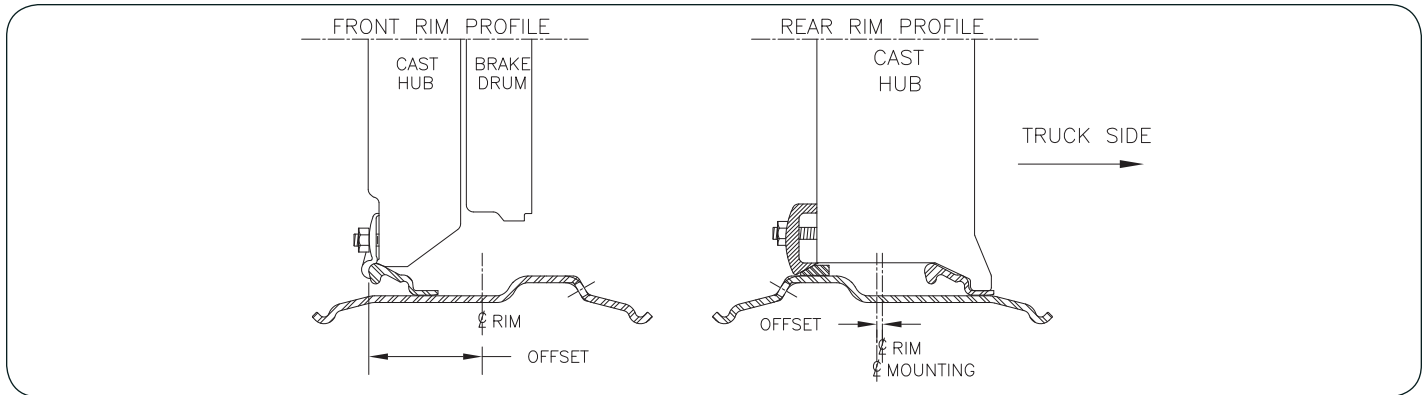
* These part numbers consist of one complete set (2 - inner wheels and 2 - outer wheels).

ADDITIONAL INFORMATION:

- Please refer to page 15-16 for examples of a stud-piloted and a hub-piloted wheel system.
- These Dual sets are for Off-Road use ONLY.
- Dual sets are painted White.

22.5" Diameter Duplex Demountable Rims

FOR AGRICULTURAL USE ONLY AT AG SPEEDS / NOT FOR HIGHWAY SERVICE



Front Rim Setups

Wheel Dimensions		*Wheel Offset	Firestone / Accuride Reference Number	Approx. Weight	Stock Number
Diameter	Width				
22.5"	12.25"	-2.62"	31673	87 lbs.	1756
22.5"	12.25"	-3.00"	31674	96 lbs.	1757
22.5"	12.25"	-1.10"	31671	96 lbs.	1758
22.5"	12.25"	-3.75"	31676	96 lbs.	1759
22.5"	12.25"	+1.125"	-	96 lbs.	1761
22.5"	12.25"	-4.75"	31679	96 lbs.	12301
22.5"	12.25"	-4.00"	31677	96 lbs.	12302
22.5"	12.25"	-4.44"	31678	96 lbs.	12303
22.5"	12.25"	-5.44"	OLD #31300, NEW #31680	96 lbs.	12304
22.5"	13.00"	-6.50"	-	104 lbs.	10072
22.5"	13.00"	-3.50"	-	104 lbs.	10073
22.5"	13.00"	-0.75"	-	104 lbs.	10175
22.5"	20.00"	-6.50"	-	124 lbs.	18276W
22.5"	24.00"	-6.50"	-	144 lbs.	18277W

Rear Rim Setups

Wheel Dimensions		*Wheel Offset	Firestone / Accuride Reference Number	Approx. Weight	Stock Number
Diameter	Width				
22.5"	12.25"	+0.375"	31658	105 lbs.	12299
22.5"	12.25"	0"	-	105 lbs.	12300
22.5"	13.00"	-6.25"	-	104 lbs.	10174**
22.5"	13.00"	0"	31659	109 lbs.	12307
22.5"	20.00"	-7.50"	-	130 lbs.	18278W
22.5"	24.00"	-7.50"	-	150 lbs.	18279W

* Offset for the above Duplex rim sizes is defined as the lateral distance from the rim centerline to the face of the mounting ring. A positive offset places the rim center outboard of the mounting surface. A negative offset places the rim center inboard of the mounting surface. This terminology is the same as that applied to conventional, medium, and heavy-duty truck-type dual and single rims.

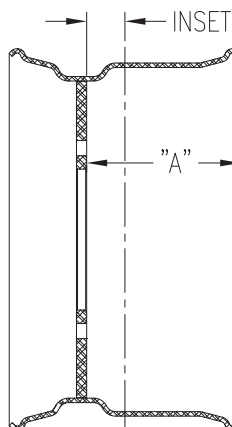
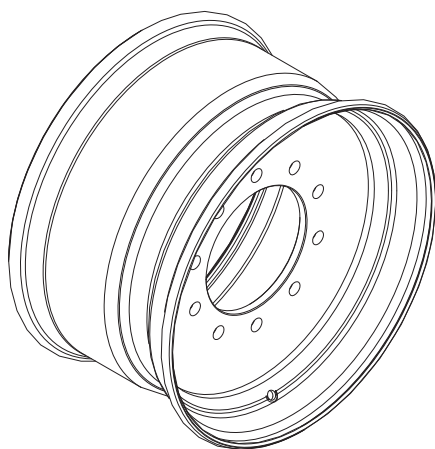
** Rim has one mounting bevel and is used in conjunction with a spacer band and additional rim or mounting bevel.

ADDITIONAL INFORMATION:

- All Rims on this page are painted White.

22.5" Diameter Duplex Demountable Rims

FOR AGRICULTURAL USE ONLY AT AG SPEEDS / NOT FOR HIGHWAY SERVICE



10-Bolt Stud-Piloted Budd Wheels

Tire Size	Wheel Size	Material Thickness		Wheel Inset	Dimension "A"	Approx. Weight	Stock Number
		Rim	Disc				
15-22.5, 16.5-22.5, 385/65R22.5, 425/65R22.5	12.25x22.5	.276"	.625"	2.35"	9.50"	121 lbs.	14492
16.5-22.5, 18-22.5, 425/65R22.5, 445/65R22.5	13.00x22.5	.276"	.625"	2.73"	10.25"	125 lbs.	14493
600/50-22.5	20x22.5	.276"	.625"	1.01"	9.38"	165 lbs.	17462W
700/40-22.5	24x22.5	.276"	.625"	2.90"	9.38"	174 lbs.	17463W

10-Bolt Hub-Piloted Budd Wheels

Tire Size	Wheel Size	Material Thickness		Wheel Inset	Dimension "A"	Approx. Weight	Stock Number
		Rim	Disc				
15-22.5, 16.5-22.5, 385/65R22.5, 425/65R22.5	12.25x22.5	.276"	.625"	2.35"	9.50"	122 lbs.	14490
16.5-22.5, 18-22.5, 425/65R22.5, 445/65R22.5	13.00x22.5	.276"	.625"	2.73"	10.25"	126 lbs.	14491
600/50-22.5	20x22.5	.276"	.625"	.98"	9.38"	166 lbs.	17461W
700/40-22.5	24x22.5	.276"	.625"	2.89"	9.38"	175 lbs.	17465W

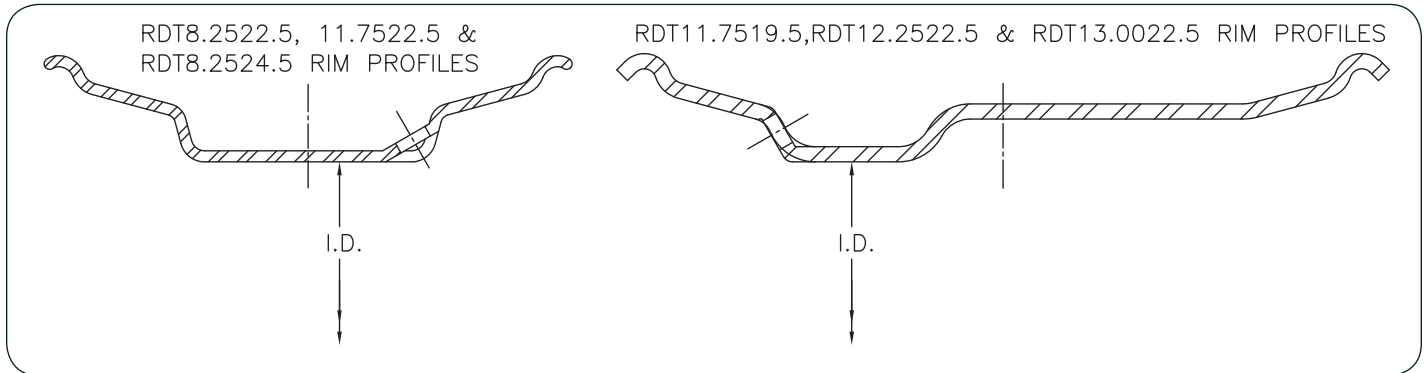
* See Page I-6 for Wheel Outset/Inset Definition.

ADDITIONAL INFORMATION:

- Please refer to page 15-16 for examples of a stud-piloted and a hub-piloted wheel system.
- These Dual sets are for Off-Road use ONLY.
- Above wheels are painted White.

19.5", 22.5" and 24.5" Diameter Blank Rims

FOR AGRICULTURAL USE ONLY AT AG SPEEDS / NOT FOR HIGHWAY SERVICE



Tire Size	Rim Thickness	Rim ID	Approx. Weight	Stock Number
15-19.5	.276"	16.50"	69 lbs.	RDT11.7519.5
11-22.5, 11.25-22.5, 12-22.5, 255/70R22.5, 265/75R22.5, 275/70R22.5, 295/75R22.5, 295/80R22.5, 315/80R22.5	.187"	20.08"	41 lbs.	RDT8.2522.5
15-22.5, 385/65R22.5, 400/55-22.5, 425/65R22.5	.236"	19.57"	69 lbs.	RDT11.7522.5
15-22.5, 16.5-22.5, 385/65R22.5, 425/65R22.5	.276"	19.50"	78 lbs.	RDT12.2522.5
16.5-22.5, 18-22.5, 425/65R22.5, 445/65R22.5	.276"	19.50"	86 lbs.	RDT13.0022.5

ADDITIONAL INFORMATION:

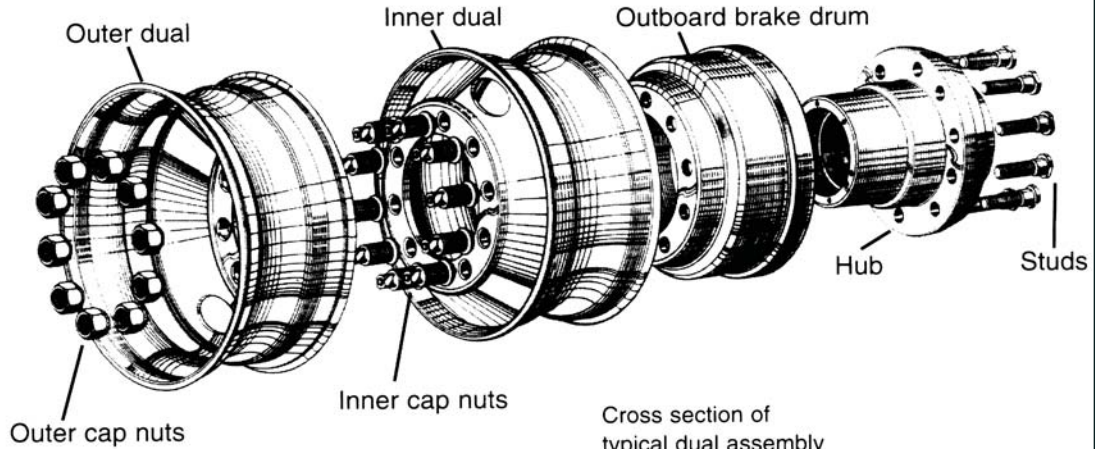
- RDT Rims are unpainted.

STUD-PILOTED MOUNTING SYSTEM

— Wheel Centers on Studs —

CHARACTERISTICS

- 1** Stud-piloted wheels use nuts with ball seat.
- 2** Inner cap nuts are used to locate inner dual in dual wheel assembly.
- 3** Chamfered bolt holes identify a stud-piloted wheel.



Cross section of typical dual assembly with stud-piloted wheels. (Both right hand and left hand threads)

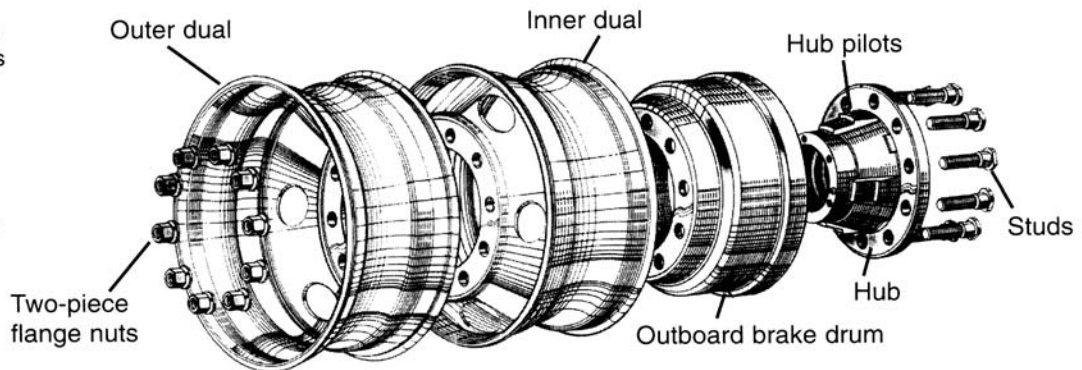
These wheel systems are sometimes referred to as Budd wheels.

HUB-PILOTED MOUNTING SYSTEM

— Wheel Centers on Hub-Pilots —

CHARACTERISTICS

- 1** Hub-piloted wheels use two-piece flange nuts.
- 2** Non-chamfered bolt holes identify a hub-piloted wheel.



Cross section of typical dual assembly with hub-piloted wheels. (Right hand threads only)

These wheel systems are sometimes referred to as Budd Uni-Mount-10™ or AccuMount™ wheels.

SECTION 16: Over The Road Truck / Trailer Wheels

(Click on the Section you would like to navigate to)

Over-The-Road Trailer Wheels

Over-The-Road Trailer Wheels

Tire Sizes	Wheel Size	Material Thickness		*Wheel Outset	Description	Max. Load Capacity @ Maximum Inflation	Approx. Weight	Stock Number
		Disc	Rim					
7x16, 7.2x16, 7.50R16, 200/70R16, 8x16, 8.3-16	6 x 16	.229"	.129"	0"	8 on 6.500 BC w/5.15 Pilot (.656)	3640 lbs. @ 80 PSI	25 lbs.	98859
7x16, 7.2x16, 7.50R16, 200/70R16, 8x16, 8.3-16	6 x 16	.240"	.188"	+.250"	6 on 5.500 BC w/4.280 Pilot (.625)	3420 lbs. @ 85 PSI	29 lbs.	900717
25x10.50-15, 27x10.50-15, 9.5x15, 10.00x15, 11x15	8 x 15	.188"	.188"	-1.00"	6 on 5.500 BC w/4.280 Pilot (.585)	3960 lbs. @ 90 PSI	33 lbs.	902486

SECTION 17: AG Miscellaneous Parts - Reinforcing Rings - Hardware

(Click on the Section you would like to navigate to)

Reinforcing Rings

Wheel & Hub Hardware – Capscrews & Drive In Studs

Wheel & Hub Hardware – Nuts & Flat Washers

Wheel & Hub Hardware – Bolts & Hardware Packages

**Wheel & Hub Hardware – Lock Washers, Spherical Washers, Spacers,
Screw In Studs, Direct Axle Hub Guide Pins & Keys**

Wheel & Hub Hardware – Weld-In Clamps & Brackets

**Wheel & Hub Hardware – Weld-In Brackets, Gussets, Valve Stem Protectors,
Rim/Tire Wedge, Rubber Grommet & Rim Plug**

Miscellaneous Open Center Dual Parts (Previous Style Replacements)

Single & Double-Bevel Rim Conversion & Replacement Lugs

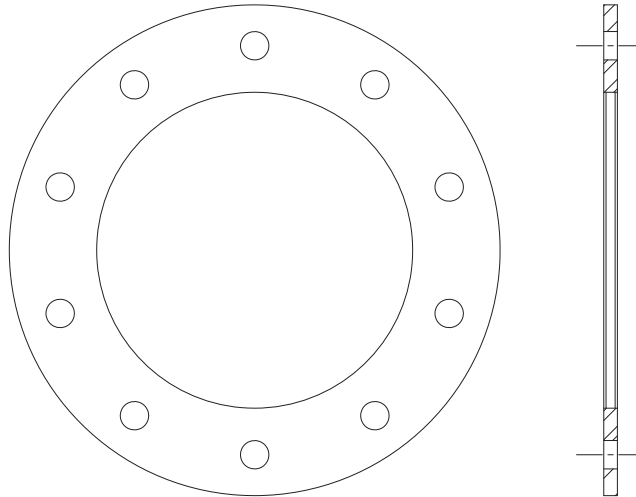
U-Bolts & Hardware for Direct Axle Hubs

Replacement U-Bolts

Reinforcing Rings

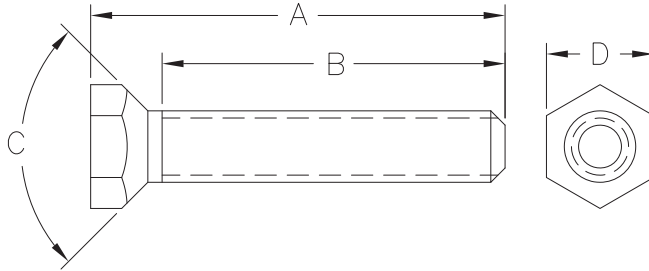
THE FOLLOWING REINFORCING RINGS ARE AVAILABLE TO REINFORCE THE BOLT PATTERN AREA OF DISC WHEELS.

10 HOLE REINFORCING RING



Bolt Pattern	Bolt Hole Diameter	Counter-Sink Size	Thickness of Ring	Outside Diameter of Ring	Approx. Weight	Previous Stock Number	Stock Number
6 on 6" BC - 4.625" Pilot	.589"	90° x .75"	.25"	7.97"	2 1/2 lbs.	60E19	1106
8 on 8" BC - 6" Pilot	.672"	90° x .934"	.3125"	10.19"	4 1/2 lbs.	80E19	1162
8 on 8" BC - 6" Pilot fits 92358 (NH8-24CC)	.676"	90° x .835"	.3125"	11.06"	5 1/2 lbs.	—	10309
8 on 8" BC - 6" Pilot	.672"	90° x .94"	.3125"	10.22"	4 1/2 lbs.	—	12111
9 on 9.50" BC - 7.75" Pilot	.656"	90° x .94"	.3125"	11.73"	5 lbs.	81E19	1021
10 on 11.25" BC - 8.69" Pilot	.781"	None	.375"	13.50"	8 1/2 lbs.	—	10708
10 on 13.188" BC - 11.063" Pilot	.906"	None	.375"	16.00"	10 1/2 lbs.	91E19FP	1333
10 on 13.188" BC - 11.063" Pilot	.906"	None	.50"	20.00"	29 1/2 lbs.	91E19BP	1353
10 on 13.187" BC - 11.105" Pilot	.937"	None	1.00"	15.50"	24 lbs.	—	14442

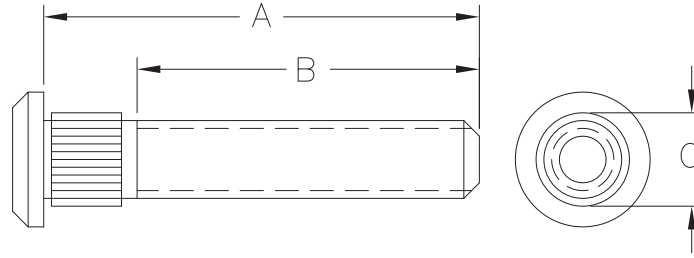
Wheel and Hub Hardware



Capscrews

Thread Size	Measurements (See Drawing Above)				Approx. Weight	Previous Stock Number	Stock Number
	A	B	C	D			
1/2" N.F.	2.312"	1.75"	90-Degree	3/4"	1/4 lb.	PCN134	91071
1/2" N.F.	1.75"	1.25"	90 Degree	13/16"	1/4 lb.	—	91831
1/2" N.F.	1.25"	.75"	90 Degree	3/4"	1/4 lb.	9F30	90025
9/16" N.F.	1.594"	.938"	90-Degree	7/8"	1/4 lb.	PCF118	9231
9/16" N.F.	2.50"	1.875"	90-Degree	7/8"	1/4 lb.	PCF178	91039
5/8" N.F.	2.375"	1.75"	90-Degree	15/16"	1/4 lb.	PCH178	9275
5/8" N.F.	3.625"	3.00"	90-Degree	15/16"	1/4 lb.	PCH300	9731

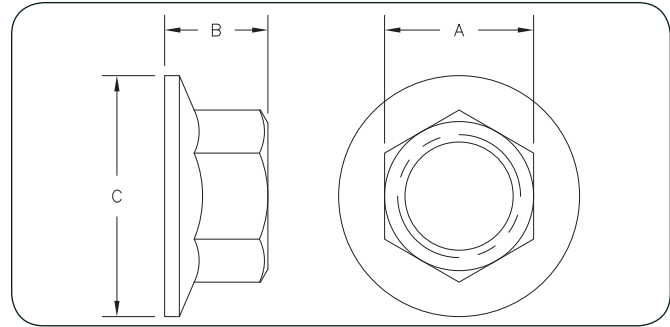
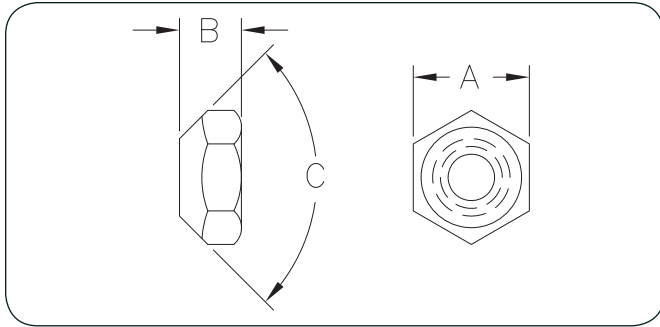
Wheel and Hub Hardware



Drive-In Studs

Thread Size	Measurements (See Drawing Above)			Hole Diameter to Drill in Hub if Using Stud to Repair Hub	Approx. Weight	Tractor Model Applications	Stock Number
	A	B	C				
1/2" N.F.	1.875"	1.25"	.6175 - .6125"	.593"	1/4 lb.	—	9347
9/16" N.F.	2.125"	1.375"	.615"	.594"	1/4 lb.	—	91153
5/8" N.F.	2.75"	2.00"	.688 - .683"	.671"	1/4 lb.	—	9223
5/8" N.F.	3.375"	2.625"	.688 - .683"	.671"	1/4 lb.	—	91131
3/4" N.F.	2.50"	1.50"	.995 - 1.005"	.984"	1/2 lb.	—	92457
3/4" N.F.	3.50"	2.50"	.995 - 1.005"	.984"	3/4 lb.	—	93333
3/4" N.F.	3.50"	2.50"	.780 - .786"	.780 - .785"	1/2 lb.	Case-IH 7100 / 7200 & New Holland 70 series MFD	15088
3/4" N.F.	3.50"	2.50"	.866 - .860"	.866 - .859"	1/2 lb.	McCormick MTX Series Flange Axle	17259
3/4" N.F.	3.50"	2.50"	.898 - .904"	.898 - .903"	1/2 lb.	John Deere 7220 / 7320 / 7420 / 7520 MFD	16820
7/8" N.C.	3.50"	2.75"	.995 - 1.005"	.969"	3/4 lb.	—	91036
20mmx1.5 Pitch	3.937" (100mm)	2.937" (74mm)	.847 - .854"	.843"	3/4 lb.	Case-IH 8900/MX & New Holland TG series MFD for Front Duals	97193
			.805 - .808	.805 - .807	3/4 lb.	JCB Tractors	18745
22mmx1.5 Pitch	4.00"	2.91"	.856 - .865"	.856"	3/4 lb.	—	9007001
22mmx1.5 Pitch	3.687" (94mm)	2.465" (63mm)	.906 - .909"	.906 - .908"	3/4 lb.	Valtra Valmet 8000 series front & rear, Fendt 900 series MFD & AGCO DT200/DT225 and MF 8270 / 8280 MFD w/ Dana axle AG280 (after 3/15/02)	15520
22mmx1.5 Pitch	3.687" (94mm)	2.465" (63mm)	.882 - .885"	.882 - .884"	3/4 lb.	AGCO DT200/DT225 and MF 8270 / 8280 MFD w/ZF axle APL5052 (prior to 3/15/02)	15997
22mmx1.5 Pitch	3.687" (94mm)	2.465" (63mm)	.869 - .872"	.871 - .872"	3/4 lb.	AGCO DT, MF 8200 & Fendt 900 series rear dual hub #3786490M1 or #3716107H2	16000
22mmx1.5 Pitch	3.687" (94mm)	2.465" (63mm)	.866 - .869"	.866 - .869"	3/4 lb.	Case-IH / New Holland AFX & CR Combine	17497

Wheel and Hub Hardware



Nuts

Thread Size	Measurements (See Drawing Above)			Approx. Weight	Previous Stock Number	Stock Number
	A	B	C			
1/2" N.F.	13/16"	5/8"	90-Degree	1/4 lb.	—	9348
9/16" N.F.	1"	11/16"	90-Degree	1/4 lb.	—	91158
5/8" N.F.	15/16"	23/32"	90-Degree	1/4 lb.	PNT58	9610
3/4" N.C.	1 1/4"	1"	90-Degree	1/4 lb.	PNT34	9478
5/8" N.F.	15/16"	21/32"	1.65ø Flange-Head	1/4 lb.	—	9002237
3/4" N.F.	1 1/8"	5/8"	1.56ø Flange-Head	1/4 lb.	—	92458
7/8" N.C.	1 1/4"	3/4"	1.75ø Flange-Head	1/4 lb.	—	91076
1/2" N.C.	Standard Hex Nut			1/4 lb.	PNC 12	9394-010
5/8" N.C.	Standard Hex Nut			1/4 lb.	PNC 58	9394-014
3/4" N.F.	Standard Hex Nut			1/4 lb.	PNF 34	9394-015
3/4" N.C.	Standard Hex Nut			1/4 lb.	PNC 34	9394-016
7/8" N.F.	Standard Hex Nut			1/2 lb.	PNF 78	9394-017
7/8" N.C.	Standard Hex Nut			1/2 lb.	PNC 78	9394-018
1 1/8" N.F.	Standard Hex Nut			1/2 lb.	PNF118	9184
20mm x 1.5 Pitch	Standard Hex Nut			1/4 lb.	—	15090
20mm x 2.5 Pitch	Standard Hex Nut			1/4 lb.	—	97095
22mm x 1.5 Pitch	33mm	1.219"	1.81ø Flange-Head	1/2 lb.	—	97319
22mm x 1.5 Pitch	Standard Hex Nut			1/4 lb.	—	901398
22mm x 2.5 Pitch	Standard Hex Nut			1/2 lb.	—	97684

Flat Washers

This Hardware Item is Used With	Description	Approx. Weight	Previous Stock Number	Stock Number
FED Duals	1/2" Flat Washer	1/4 lb.	PFW 12	9405-088
John Deere 5010 Series Rear Extensions	9/16" Flat Washer Hardened 1.156 O.D. x .593 I.D. x .177" Thk.	1/4 lb.	—	96980
ICU58 Eye Assembly	5/8" Flat Washer	1/4 lb.	PFW 58	9405-100
—	5/8" Flat Washer 1.375 O.D. x .640 I.D. x .25" Thk.	1/4 lb.	—	9746
ICA34 Eye Assembly	3/4" Flat Washer	1/4 lb.	PFW 34	9405-106
Power Adjust Wheels	3/4" Flat Washer 1.50 O.D. x .81 I.D. x .16" Thk. Hardened	1/4 lb.	—	RR107006
1000E and 2000E Series Hub	7/8" x .219" Thick Flat Washer Hardened (Zinc Yellow Dichromate Plate)	1/4 lb.	—	97041
Combine Duals	3/4" Flat Washer 2.0 O.D. x .812 I.D. x .375 Thk Hardened	3/4 lb.	—	93335

Wheel and Hub Hardware

Bolts

This Hardware Item is Used With	Description	Approx. Weight	Previous Stock Number	Stock Number
FED Duals	1/2" N.C. x 18" Bolt	1/4 lb.	PBO 1800	10348
John Deere 5010 Series Rear Extensions	9/16" N.F. x 1 3/4" Bolt Gr. 8	1/4 lb.	—	97281
ICU58 Eye Assembly	5/8" N.C. x 1 1/2" Bolt	1/4 lb.	PBU 112	9390-122
180-5, 180-10	5/8" N.F. x 2 3/8" Bolt	1/4 lb.	PBH 214	9183
—	3/4" N.F. x 2 3/4" GR8 Bolt	1/2 lb.	—	96523
—	3/4" N.F. x 2" GR8 Bolt	3/8 lb.	—	96803
Combine Straddle-Row Duals	3/4" N.F. x 2 1/2" GR8 Bolt	1/2 lb.	—	96925
ICA34 Eye Assembly	3/4" N.C. x 1 1/2" Bolt	3/8 lb.	PBA 112	9390-143
Case-IH 4WD Duals	3/4" N.C. x 5 1/4" Bolt	1/2 lb.	PBA 514-Sq. Hd.	9762
Older Straddle-Row Duals	3/4" N.F. x 2" Hex Head Flange Bolt	1/2 lb.	—	91063
Older 91E Series w/WRP10 Wheels	7/8" N.F. x 1 3/4" Bolt	5/8 lb.	PBS 134	9182
Older 91E Series w/WRP10 Wheels	7/8" N.F. x 2 3/8" Bolt	5/8 lb.	PBS 214	9181
Ford O.E. Hubs	7/8" N.F. x 3" GR8 Bolt	3/4 lb.	—	96780
Ford O.E. Hubs	7/8" N.F. x 3 1/2" GR8 Bolt	7/8 lb.	—	97042
Ford O.E. Hubs	7/8" N.F. x 4" GR8 Bolt	7/8 lb.	—	97043
Ford O.E. Hubs	7/8" N.F. x 5" GR8 Bolt	1 lb.	—	97222
1000E and Current 91E Series w/WFA Wheels	7/8" N.C. x 2" Bolt	1/2 lb.	PBR 200	91398
Hub Extensions for 1000E and Current 91E Series w/W10- or WRP10- Wheels	7/8" N.C. x 2 1/2" Bolt	5/8 lb.	PBR 212	9925
—	7/8" N.C. x 2 3/4" Bolt	3/4 lb.	—	91034
—	7/8" N.C. x 3" GR8 Bolt	3/4 lb.	—	91299-168
Jackbolt/Insert Bolt on 1000E	7/8" N.C. x 3 1/2" Bolt (Gr. 8, fully threaded)	3/4 lb.	"PBR 312, PBR 314 "	91130
AGCO O.E. Hubs	7/8" N.C. x 3 1/2" GR8 Bolt	3/4 lb.	—	91299-170
AGCO O.E. Hubs	7/8" N.C. x 4 1/2" GR8 Bolt	7/8 lb.	—	97045
4" Spacer for Sprayer	7/8" N.C. x 5" GR8 Bolt (Plain Finish)	1 lb.	—	97515
AGCO O.E. Hubs	7/8" N.C. x 5" GR8 Bolt	1 lb.	—	91299-174
John Deere Front Weight Bracket	16mm x 2.0 Pitch x 50mm Long Bolt	1/4 lb.	—	94917-155
John Deere Front Weight Bracket	18mm x 2.5 Pitch x 50mm Long Bolt C8.8	3/8 lb.	—	94917-176
—	18mm x 2.5 Pitch x 50mm Long Bolt C10.9	3/8 lb.	—	99589

Wheel and Hub Hardware

Bolts

This Hardware Item is Used With	Description	Approx. Weight	Previous Stock Number	Stock Number
Combine Straddle-Row Duals and MFWD Extensions	20mm x 1.5 Pitch x 50mm Long Bolt	1/2 lb.	—	94913-026
Combine Straddle-Row Duals	20mm x 1.5 Pitch x 80mm Long Bolt (Plain Finish)	3/4 lb.	—	97519
Combine Straddle-Row Duals	20mm x 1.5 Pitch x 90mm Long Bolt	5/8 lb.	—	94912-031
MFWD Extension	20mm x 2.5 Pitch x 50mm Long Bolt	3/8 lb.	—	94911-030
MFWD Extension	20mm x 2.5 Pitch x 80mm Long Bolt	1/2 lb.	—	97192
John Deere Front Weight Bracket	20mm x 2.5 Pitch x 80mm (46mm Thrd.)	1/2 lb.	—	94910-045
John Deere Front Weight Bracket	20mm x 2.5 Pitch x 100mm (46mm Thrd.)	5/8 lb.	—	94910-047
—	22mm x 1.5 Pitch x 50mm Long Bolt	1/2 lb.	—	901350
—	22mm x 1.5 Pitch x 90mm Long Bolt	3/4 lb.	—	901349
1000E Series Hub	22mm x 2.5 Pitch x 50mm Long Bolt	1/2 lb.	—	91593
John Deere Hub Extensions	22mm x 2.5 Pitch x 65mm Long Bolt	1/2 lb.	—	95657
2000E Series Hub	22mm x 2.5 Pitch x 70mm Long Bolt	3/4 lb.	—	97038
MFWD Extension	22mm x 2.5 Pitch x 80mm (60mm Thrd.)	5/8 lb.	—	97118
John Deere Front Weight Bracket	22mm x 2.5 Pitch x 80mm Long Bolt	5/8 lb.	—	97727
Case-IH O.E. Factory Hub Base Casting #185605A2 on 1998 and Newer Magnum Tractors	22mm x 2.5 Pitch x 90mm Long Bolt	3/4 lb.	—	96858
2000E Series Hub	22mm x 2.5 Pitch x 100mm Long Bolt	3/4 lb.	—	97039
John Deere Hub Extensions for JD Hub #127282 & 111007	22mm x 2.5 Pitch x 105mm Long Bolt	7/8 lb.	—	95925
2000E Series Hub	22mm x 2.5 Pitch x 110mm Long Bolt	7/8 lb.	—	97040
John Deere Hub Extensions for JD Hub #127282 & 111007	22mm x 2.5 Pitch x 120mm Long Bolt	1 lb.	—	91688
John Deere Hub Extensions for JD Hub #108955	22mm x 2.5 Pitch x 135mm Long Bolt	1 lb.	—	95926
John Deere Hub Extensions for JD Hub #108955	22mm x 2.5 Pitch x 150mm Long Bolt	1 1/4 lbs.	—	95658

Wheel and Hub Hardware

Hardware Packages

This Hardware Item is Used With	Description	Approx. Weight	Stock Number
190-5-JD	M22 x 2.5P: 10@150mm & 10@65mm, (10) 7/8" Flat Washer, (10) 22 mm Hex Nut	20 1/4 lbs.	11095
190-10, 13, 15, 18, 21-JD for JD Hub #108955	M22 x 2.5P: 10@135mm & 10@65mm	17 1/4 lbs.	12819
190-18, 21-JDT for JD Hub #108955	M22 x 2.5P: 8@135mm & 10@65mm	15 1/4 lbs.	12821
190-10, 13, 15, 18, 21-JD-1 for JD Hub #127282	M22 x 2.5P: 10@105mm & 10@65mm	15 1/4 lbs.	12820
190-18, 21-JDT-1 for JD Hub #127282	M22 x 2.5P: 8@105mm & 10@65mm	13 1/2 lbs.	12822
Case Hub Extension	M22 x 2.5P: 10@110mm & 10@65mm	14 lbs.	14503
Case Triple Hub Extension	M22 x 2.5P: 8@120mm & 10@65mm	13 1/8 lbs.	14504
2000E Hub Extension	M22 x 2.5P: 10@100mm	7 3/8 lbs.	14505
2000E Triple Hub Extension	M22 x 2.5P: 2@70mm & 8@110mm	7 7/8 lbs.	14506
John Deere Hub Extension	M22 x 2.5P: 10@65mm & 10@135mm	15 1/2 lbs.	14700
John Deere Triple Hub Extension	M22 x 2.5P: 10@65mm & 8@150mm	14 3/8 lbs.	14701
NH/Ford OE Hub Extension	M22 x 2.5P x 65mm (10) & 7/8-14UNF x 3.50 (10)	13 3/8 lbs.	14702
NH/Ford OE Triple Hub Extension	M22 x 2.5P x 65mm (10) & 7/8-14UNF x 4.00 (8)	12 5/8 lbs.	14703
Agco OE Hub Extension	M22 x 2.5P x 65mm (10) & 7/8-9UNC x 3.50 (10)	13 3/8 lbs.	14704
Agco OE Triple Hub Extension	M22 x 2.5P x 65mm (10) & 7/8-9UNC x 4.50 (8)	13 lbs.	14705
1000E Triple Hub Extension	M22 x 2.5P x 65mm (10) & 7/8-9UNC x 3.50 (8)	12 lbs.	15681
1000E Hub Extension	M22 x 2.5P: 10@65mm & 10@80mm	12 lbs.	14706
1000E Triple Hub Extension	M22 x 2.5P: 10@65mm & 8@90mm	11 3/8 lbs.	14707
UM 2000E Hub	M22 x 2.5P: 10@135mm	10 lbs.	14942
5" Extension for 1000E Hub Extension	M22 x 2.5P: 10@120mm, 10@65mm	14 3/4 lbs.	15138
5" Extension for Case or John Deere Hub Extension	M22 x 2.5P: 10@65mm, 10@150mm	16 1/4 lbs.	15141
5" Dual Extension for NH/Ford OE Hub Extension	M22 x 2.5P: 10@65mm & 7/8-14UNF x 5.00 (10)	15 7/8 lbs.	15147
5" Dual Extension for Agco OE Hub Extension	M22 x 2.5P: 10@65mm & 7/8-9UNC x 5.00 (10)	15 1/2 lbs.	15150
5" Extension for John Deere Hub #108955	M22 x 2.5P: 10@65mm & 10@220mm	22 3/4 lbs.	15962
John Deere Hub Extension	M22 x 2.5P: 10@65mm & 10@150mm	16 1/4 lbs.	15978
John Deere Triple Hub Extension	M22 x 2.5P: 10@65mm & 10@150mm	14 1/4 lbs.	15979
8" Extension for John Deere Hub #108955	M22 x 2.5P: 10@65mm & 10@185mm	20 1/5 lbs.	15985

Wheel and Hub Hardware

Lock Washers

This Hardware Item is Used With	Description	Approx. Weight	Stock Number
FED Duals	1/2" Lock Washer	1/4 lb.	9404-025
—	5/8" Lock Washer	1/4 lb.	9404-029
3/4" U-Bolt	3/4" Lock Washer	1/4 lb.	9404-033
7/8" U-Bolt	7/8" Lock Washer	1/4 lb.	9404-037

Spherical Washers

This Hardware Item is Used With	Description	Approx. Weight	Stock Number
Economy Duals	3/4" Spherical Washer	1/4 lb.	9199

Spacers

This Hardware Item is Used With	Description	Approx. Weight	Stock Number
Combine Duals	1.875" O.D. x .843" I.D. x 1" Thk.	3/4 lb.	12749
	1.875" O.D. x .906" I.D. x 1" Thk.	3/4 lb.	12750

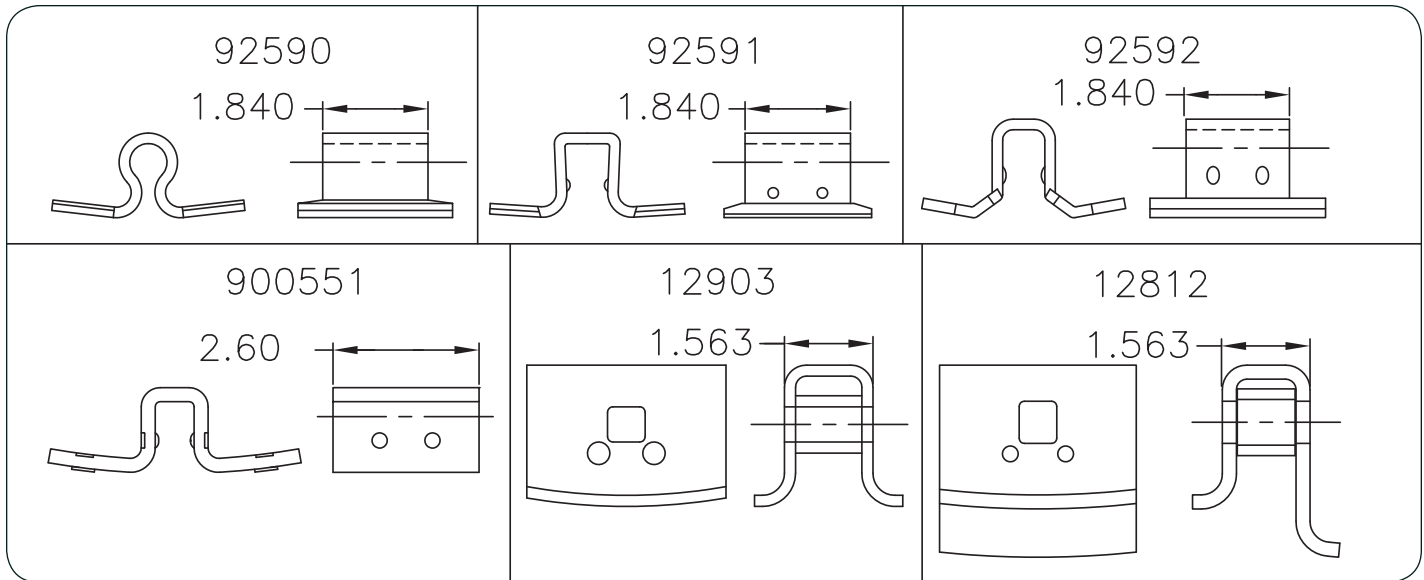
Screw-In-Stud

This Hardware Item is Used With	Description	Approx. Weight	Stock Number
190-5-JD	22mm x 2.5 Pitch x 150mm Long	1 lb.	10350
5" John Deere Hub Extensions for JD Hub #108955 or Heavy Duty Hub	22mm x 2.5 Pitch x 220mm Long	1 1/2 lbs.	15961
8" John Deere Hub Extensions for JD Hub #108955 or Heavy Duty Hub	22mm x 2.5 Pitch x 185mm Long	1 1/2 lbs.	15982

Direct-Axle Hub Guide Pins & Keys

This Hardware Item is Used With	Description	Approx. Weight	Stock Number
Old Style Bolt-On Hubs	9/16" N.F. Guide Pin	1/4 lb.	11017
51E, 71E, 81E Series Hubs	5/8" N.F. Guide Pin	1/4 lb.	10026
Current 91E Series Hubs and All 1000E Series Hubs	Drive-In Guide Pin	1/4 lb.	10041
All 2000E Series Hubs	Drive-In Guide Pin	1/4 lb.	14387
Key for 81EM9	1/2 x 3/4 x 8 1/2 Key	1 lb.	K-9
Key for 81EM13, 91EM13	1/2 x 3/4 x 8 1/2 Key	1 lb.	K-13
Key for 91EM3	3/4 x 1 3/4 x 8 1/2 Key	1 lb.	1164

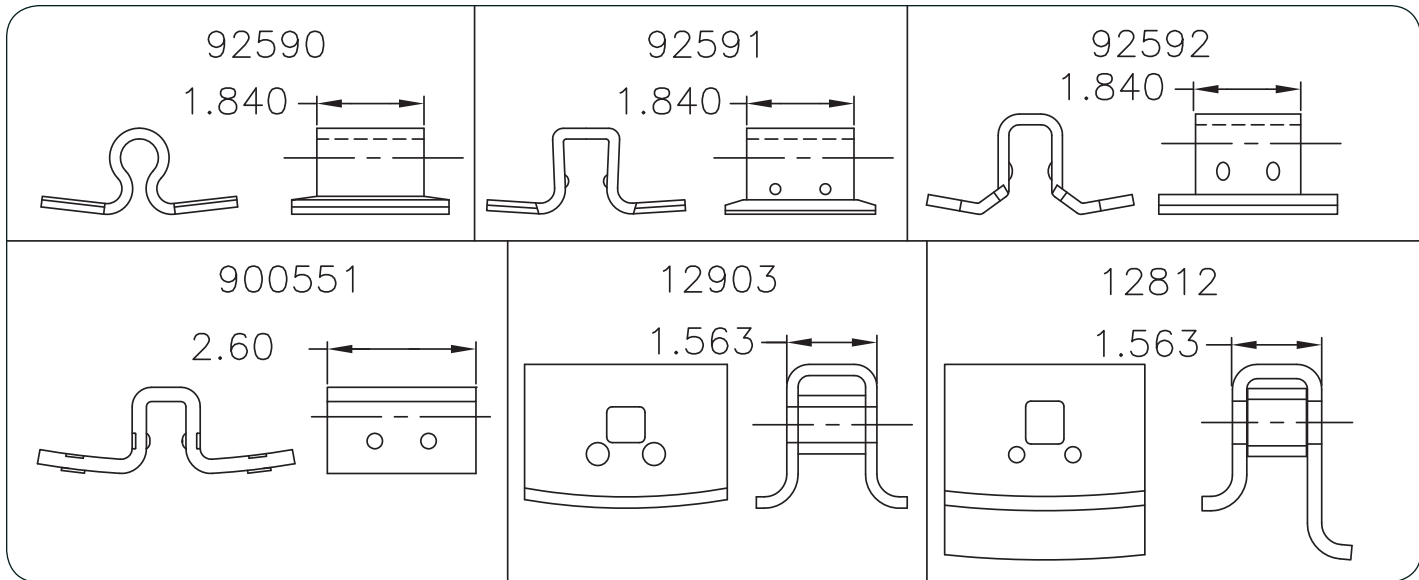
Wheel and Hub Hardware



Weld-In Clamps & Brackets

Description	Approx. Weight	Stock Number
Round, Weld-In Clamp achieves a Bolt Circle that is 3.75" less than the Tire/Rim Diameter in Flat-Base Rims	1 lb.	14674
Square, Weld-In Clamp achieves a Bolt Circle that is 3.75" less than the Tire/Rim Diameter in Flat-Base Rims	1 lb.	14675
Square, Weld-In Clamp achieves a Bolt Circle that is 4.25" less than the Tire/Rim Diameter in Flat-Base Rims	1 lb.	14676
Square, Weld-In Clamp achieves a Bolt Circle that is 3.75" less than the Tire/Rim Diameter in Flat-Base Rims	1 1/4 lbs.	900551
Weld-In "U"-Bracket achieves a Bolt Circle that is 5" less than the Tire/Rim Diameter in Flat-Base Rims (Welds in Bead Seat of Rim)	2 lbs.	12812
Weld-In "U"-Bracket achieves a Bolt Circle that is 5" less than the Tire/Rim Diameter in Flat-Base Rims (Welds on Base of Rim)	1 3/4 lbs.	12903

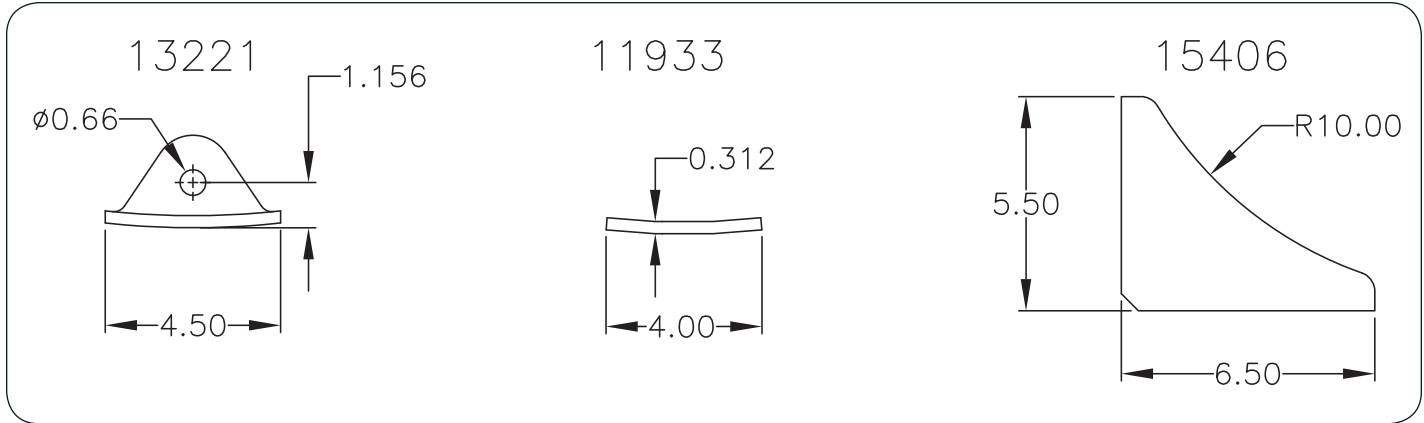
Wheel and Hub Hardware



Weld-In Clamps & Brackets

Description	Approx. Weight	Stock Number
Round, Weld-In Clamp achieves a Bolt Circle that is 3.75" less than the Tire/Rim Diameter in Flat-Base Rims	1 lb.	92590
Square, Weld-In Clamp achieves a Bolt Circle that is 3.75" less than the Tire/Rim Diameter in Flat-Base Rims	1 lb.	92591
Square, Weld-In Clamp achieves a Bolt Circle that is 4.25" less than the Tire/Rim Diameter in Flat-Base Rims	1 lb.	92592
Square, Weld-In Clamp achieves a Bolt Circle that is 3.75" less than the Tire/Rim Diameter in Flat-Base Rims	1 1/4 lbs.	900551
Weld-In "U"-Bracket achieves a Bolt Circle that is 5" less than the Tire/Rim Diameter in Flat-Base Rims (Welds in Bead Seat of Rim)	2 lbs.	12812
Weld-In "U"-Bracket achieves a Bolt Circle that is 5" less than the Tire/Rim Diameter in Flat-Base Rims (Welds on Base of Rim)	1 3/4 lbs.	12903

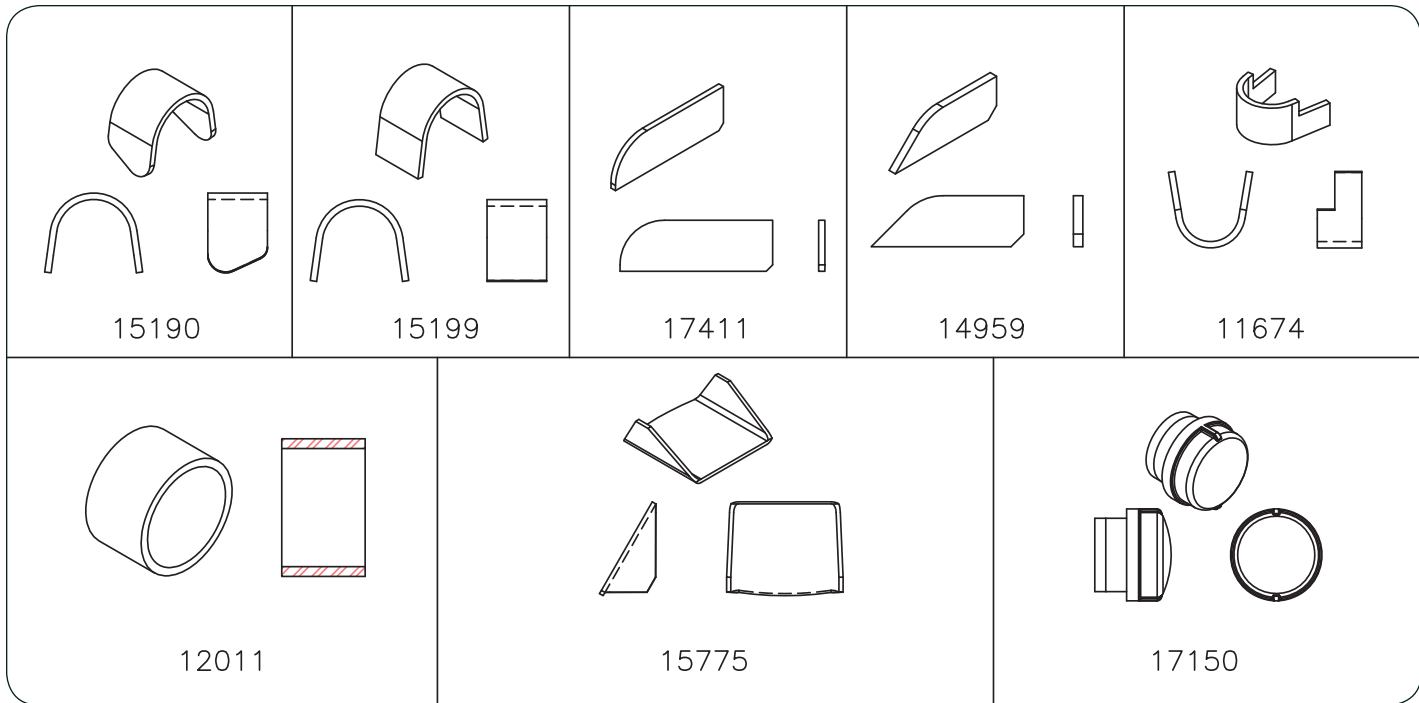
Wheel and Hub Hardware



Weld-In Brackets, Gussets, Valve Stem Protectors, Rim/Tire Wedge, Rubber Grommet & Rim Plug

Description	Approx. Weight	Stock Number
Weld-In, "L"-Wheel Bracket	3/4 lbs.	13221
5/16 x 4 x 3 Plate for 12903 Clamp	1 1/4 lbs.	11933
1/2 x 5.5 x 6.5 Plate	2 3/4 lbs.	15406

Wheel and Hub Hardware



Weld-In Brackets, Gussets, Valve Stem Protectors, Rim/Tire Wedge, Rubber Grommet & Rim Plug

Description	Approx. Weight	Stock Number
Weld-In, Reinforcing Gusset (Used in vertical applications)	1 lb.	15775
Weld-In, Reinforcing Gusset (Used in horizontal applications)	1 lb.	14959
8" Weld-In, Reinforcing Gusset (Used in horizontal applications)	5 lb.	17409
10" Weld-In, Reinforcing Gusset (Used in horizontal applications)	6 lb.	17410
12" Weld-In, Reinforcing Gusset (Used in horizontal applications)	7 lb.	17411
Valve Stem Protectors	3/4 lb.	11674
	7/8 lb.	12011
	1/4 lb.	15190
	1/4 lb.	15199
	2 3/4 lb.	17150
Rim/Tire Wedge .125 x 1 x 1 (Increases Gripping Action between Tire and Rim)	1/4 lb.	96538
Rubber Grommet for .625" Dia. Valve Stem Hole (Tire w/ tube)	1/4 lb.	92623
Plug for .625" Dia. Valve Stem Hole (Tubeless Tire)	1/4 lb.	95365

Miscellaneous Open-Center Dual Parts

Replacement Previous Style Dual Clamps

This Hardware Item is Used With	Description	Approx. Weight	Stock Number
Over Rim Dual	Over-Rim Snap-On Clamp	5 3/4 lbs.	OSC16
	Over-Rim Economy Clamp w/Spherical Washer & Nut	3 3/4 lbs.	OEC27NW
Circoloc® Dual	Circoloc Snap-On Clamp	4 lbs.	CS14
	Circoloc Economy Clamp w/Spherical Washer & Nut	1 3/4 lbs.	CE15NW
O/S UM Dual	Standard Snap-On Clamp for Old Style Unverferth Dual	2 lbs.	SC7
O/S H&G Dual	Snap-On Clamp for Old Style Hammer and Gump Dual	3 lbs.	HC7
DMI Duals	Lok-Rail® Lug Weldment	2 1/2 lbs.	D16921000
	DMI Half Ball Spacer	1/2 lb.	D46080001

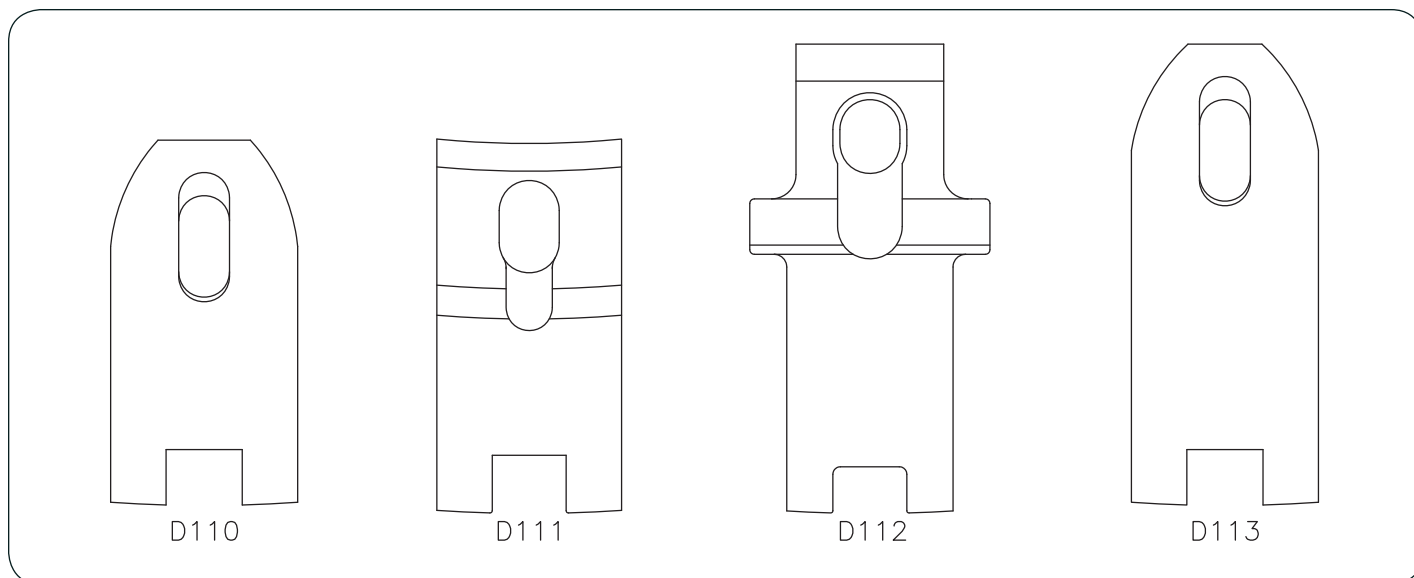
Other Parts

This Hardware Item is Used With	Description	Approx. Weight	Previous Stock Number	Stock Number
—	Weld-On Clip for O/S BC Bands	1/4 lb.	PC3	1015
IP-PSR	Set Screw	1/4 lb.	IP9	9280

Dual Clamp Parts

This Hardware Item is Used With	Description	Approx. Weight	Previous Stock Number	Stock Number
TS9, TS32, and OSC16	Rivet	1/4 lb.	RV4	9276
Older HC7	7/16" Roll Pin	1/4 lb.	RP2	92589
TS9, TS32, HC7, and OSC16	1/2" Roll Pin	1/4 lb.	RP3	9277
TS9, TS32, and OSC16	Loose Handle Only	1 1/2 lbs.	—	1127B
TS9, TS32, and OSC16	Loose Clevis Only	1 1/2 lbs.	—	1128B
TS9	Loose Sliding Block	1 1/2 lbs.	—	1181B
CS14	14mm Spiral Pin	1/4 lbs.	—	91062

Single and Double-Bevel Rim Conversion Lugs

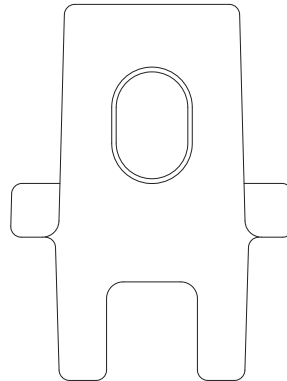


Tractors with Double-Bevel Rims can easily be “Stepped-Up” to larger diameter wheels/tires by utilizing the following lugs. Simply remove existing lugs on the tractor and replace with the appropriate lugs listed below. This will allow you to mount a new, larger diameter, Single or Double-Bevel rim on the tractor.

Tractor Make Step-Up Lug is Utilized On	Description	Approx. Weight	Stock Number
Allis-Chalmers, Case, Case-IH, Massey-Ferguson	Malleable Iron Step-Up Lug to convert AC, Case, Case-IH, and MF Tractors from 34" to 38" or 38" to 42" Tires *	4 lbs.	D112
John Deere	Malleable Iron Step-Up Lug to convert JD (Domestic) Tractors from 34" to 38" or 38" to 42" Tires * (Not for 55 Series, 60 Series, or Current Models with Stub-Disc Wheels)	3 lbs.	D110
	Malleable Iron Step-Up Lug to convert JD (Mannheim, Germany produced) Tractors from 38" to 42" or 38" to 46" Tires (JD actually has 36" Cast Center)	4 lbs.	D113
	Malleable Iron Step-Up Lug to convert JD Tractors from 28" to 34" or 30" to 34" Tires (JD actually has 28" Cast Center #P60149)	4 lbs.	D113
International (IH)	Malleable Iron Step-Up Lug to convert International (IH) Tractors from 34" to 38" or 38" to 42" Tires *	3 lbs.	D111
White	Models that Utilize Grader Style Clamp	3 lbs.	D110
	Models with #167985A Original Lug	3 lbs.	D112

* By utilizing these lugs and any of the Double-Bevel or Single-Bevel rims on page 4-5 or 4-6, tractors with 34" tires can be converted to 42", 46", 48", 50", 52", or 54" tires.

Replacement / Conversion Lug



RR86170

Some tractors with Power-Shift wheels can easily be converted to a different size tire/wheel assembly. By utilizing this lug and a new Single or Double-Bevel rim, a different size tire/wheel assembly can be installed on the tractor.

Example: Allis-Chalmers model 7060 with 20.8x38 tires on Power-Shift wheels. This tractor can be converted to an 18.4x42 tire/wheel assembly using this lug and 1770 rims as shown on page 4-5. This tractor can also be converted to a 14.9x46 tire/wheel assembly using this lug and 10939 rims as shown on page 4-6.

Note: Tractor must have a “Cast Center” assembly on inner wheel for this lug to attach to. RR86170 Double-Ramp Clamp for Double-Bevel rim replaces RR85909 Double-Ramp Clamp used in Power-Shift wheel assemblies.

Note: Some of the Ford tractors utilize a cast center with power-shift wheels that this conversion lug will not work on. Some of the tractor models are 8000, 8600, 8700, 9000, 9600 & 9700. For these models, a wheel from section 18 must be used. This conversion lug will work on the cast centers utilized on the 8030 series and the TW series with power-shift wheels.

Description	Approx. Weight	Stock Number
Double-Ramp Clamp (for Double-Bevel Rim), Can be used to convert tractor from Power-Shift Wheels to Single or Double-Bevel Rims.	2 lbs.	RR86170

U-Bolts and Hardware for Direct-Axle Hubs

Please refer to page 17-17 for specific measurements of replacement U-Bolts.

1 1/8" U-Bolts & Hardware

Fits Unverferth Hub Models:	Approx. Weight	Previous Stock Number	Stock Number
81EM7, 81EM9, 81EM13, 91EM7, 91EM9, 91EM13	4 1/2 lbs.	81EMU8	9287
71EM29, 81EM20, 91EM20, 91EM29	4 1/2 lbs.	70EMU6	9288
71EM27, 81EM10, 91EM16, 91EM27	4 1/2 lbs.	81EMU11	9289
51EM10	4 1/2 lbs.	51EMU9	9290
71EM25, 81EM23, 91EM23, 91EM25,	4 1/2 lbs.	81EMU24	9291
71EM12, 91EM3, 91EM12, 91EM30	4 1/2 lbs.	71EMU13	9292
71EM10, 71EM14, 91EM10, 91EM14, 91EM32, 91EM50	4 1/2 lbs.	71EMU11	9293
71EM8, 71EM42, 71EM100, 91EM8, 91EM42, 91EM100	4 1/2 lbs.	91EMU101	9294
71EM40, 91EM40	4 1/2 lbs.	71EMU41	9295
70E5, 81E20	4 1/2 lbs.	—	70EU6
81E7, 81E9, 81E13	4 1/2 lbs.	—	81EU8
81E10, 81E18, 81E26, 81E27	4 1/2 lbs.	—	81EU11
81E23, 81E25	4 1/2 lbs.	—	81EU24
1 1/8" NF Nut used with 1 1/8" U-Bolts	1/2 lb.	PNF118	9184

7/8" U-Bolts & Hardware

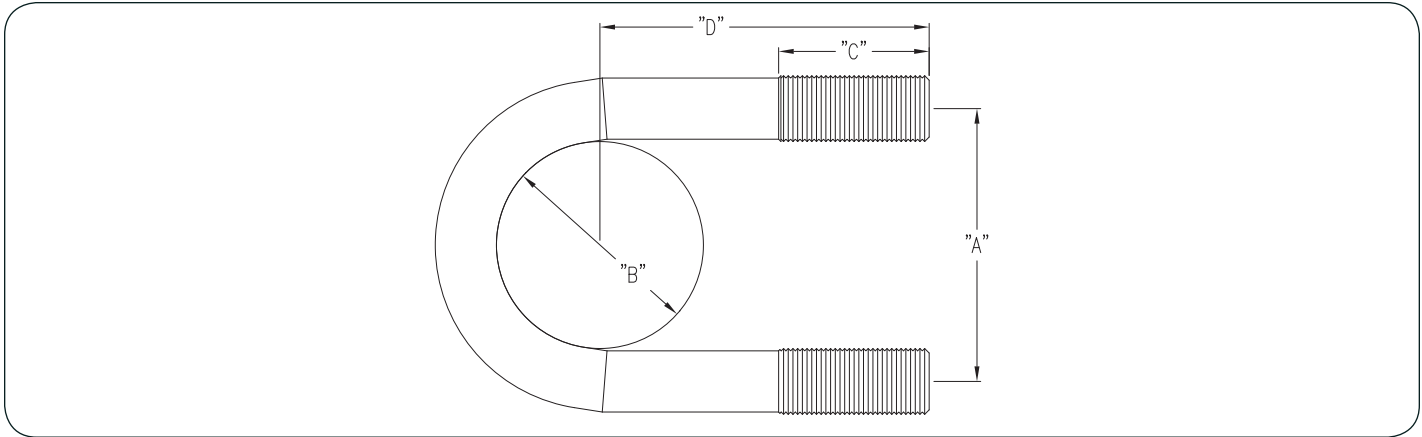
Fits Unverferth Hub Models:	Approx. Weight	Previous Stock Number	Stock Number
50E10, 60E39, 60E41, 60E43	2 1/4 lbs.	—	50EU9
60E30	2 1/4 lbs.	—	60EU31
60E40	2 1/4 lbs.	—	60EU32
60E33, 60E42	2 1/4 lbs.	—	60EU34
60E35	2 1/4 lbs.	—	60EU36
60E37	2 1/4 lbs.	—	60EU38
80E7, 80E9, 80E13, 80E15	2 1/4 lbs.	—	80EU8
80E10	2 1/4 lbs.	—	80EU11
80E12	2 1/4 lbs.	—	80EU14
7/8" NF Nut used with 7/8" U-Bolts	1/4 lb.	PNF78	9394-017
7/8" Lockwasher used with 7/8" U-Bolts	1/4 lb.	PLW78	9404-037

3/4" U-Bolts & Hardware

Fits Unverferth Hub Models:	Approx. Weight	Previous Stock Number	Stock Number
60E15	1 1/2 lbs.	—	60EU4
70E1, 80E4, 80E6	1 1/2 lbs.	—	70EU2
3/4" NF Nut used with 3/4" U-Bolts	1/4 lb.	PNF34	9394-015
3/4" Lockwasher used with 3/4" U-Bolts	1/4 lb.	PLW34	9404-033

Note: The stock numbers listed above do not include the nut or the lockwasher. The nut and/or lockwasher must be ordered separately.

Replacement U-Bolts



1 1/8" U-Bolts

Stock Number	"A"	"B"	"C"	"D"
9287	4 7/16"	3 1/4"	2 5/8"	4 1/4"
9288	4 13/16"	3 5/8"	2 5/8"	4 1/4"
9289	4 9/16"	3 3/8"	2 5/8"	4 1/4"
9290	3 15/16"	2 3/4"	2 5/8"	4 1/4"
9291	4 11/16"	3 1/2"	2 5/8"	4 1/4"
9292	4 15/16"	3 3/4"	2 5/8"	4 1/4"
9293	5 3/16"	4"	2 5/8"	4 1/4"
9294	5 1/8" or 128.57mm	3 15/16" or 100mm	2 5/8"	4 1/4"
9295	4 3/8"	3 3/16"	2 5/8"	4 1/4"
70EU6	4 3/4"	3 5/8"	2"	5"
81EU8	4 3/8"	3 1/4"	2"	5"
81EU11	4 1/2"	3 3/8"	2"	5"
81EU24	4 5/8"	3 1/2"	2"	5"

7/8" U-Bolts

Stock Number	"A"	"B"	"C"	"D"
50EU9	3 5/8"	2 3/4"	2"	4 3/8"
60EU31	4"	3 1/8"	1 1/2"	4 5/16"
60EU32	3 3/8"	2 1/2"	2"	4 3/8"
60EU34	3 7/8"	3"	1 1/2"	4 3/8"
60EU36	3 3/4"	2 7/8"	2"	4 7/16"
60EU38	3 1/2"	2 5/8"	2"	4 7/16"
80EU8	4 1/8"	3 1/4"	2"	4 7/8"
80EU11	4 1/4"	3 3/8"	2"	4 13/16"
80EU14	4 1/16"	3 3/16"	1 1/2"	4 29/32"

3/4" U-Bolts

Stock Number	"A"	"B"	"C"	"D"
60EU4	3 1/4"	2 1/2"	1 1/2"	4 1/4"
70EU2	4"	3 1/4"	1 1/2"	4 5/8"
80EU2	4 1/8"	3 3/8"	1 1/2"	4 7/16"

